



US00D513272S

(12) **United States Design Patent**
Phillips et al.

(10) **Patent No.: US D513,272 S**
(45) **Date of Patent: ** Dec. 27, 2005**

(54) **TABLE SAW BASE AND PANELS**

(57) **CLAIM**

(75) Inventors: **William J. Phillips**, Bolingbrook, IL (US); **William P. Curry**, Hampshire, IL (US)

We claim the ornamental design for a table saw base and panels, as shown and described.

(73) Assignee: **WMH Tool Group, Inc.**, Elgin, IL (US)

DESCRIPTION

(**) Term: **14 Years**

FIG. 1 is an elevational view of a table saw base according to our new design, as viewed from the front left corner of the table saw, the broken lines of the table saw base are for illustrative purposes only and form no part of the claimed design;

(21) Appl. No.: **29/205,446**

FIG. 2 is an elevational view of the table saw base of FIG. 1, as viewed from the front right corner of the table saw;

(22) Filed: **May 14, 2004**

(51) **LOC (6) Cl.** **15-09**

FIG. 3 is an elevational view of the table saw base of FIG. 1, as viewed from the rear right corner of the table saw;

(52) **U.S. Cl.** **D15/133**

FIG. 4 is an elevational view of the table saw base of FIG. 1, as viewed from the rear left corner of the table saw;

(58) **Field of Search** D15/133; 83/432, 83/435, 468.7, 477, 477.2, 478, 522.3, 522.1; 269/318, 166, 180

FIG. 5 is a perspective view of an alternate embodiment of the table saw base of FIG. 1, as viewed from the front left corner of the table saw, the broken lines of the table saw base are for illustrative purposes only and form no part of the claimed design;

(56) **References Cited**

U.S. PATENT DOCUMENTS

- 5,174,349 A * 12/1992 Svetlik et al. 144/286.1
- D394,071 S * 5/1998 Ceroll et al. D15/133
- D425,529 S * 5/2000 Svetlik D15/133
- D442,190 S * 5/2001 Chen D15/133
- 6,736,042 B2 * 5/2004 Behne et al. 83/477.2

FIG. 6 is a perspective view of the table saw base of FIG. 5, as viewed from the front right corner of the table saw;

* cited by examiner

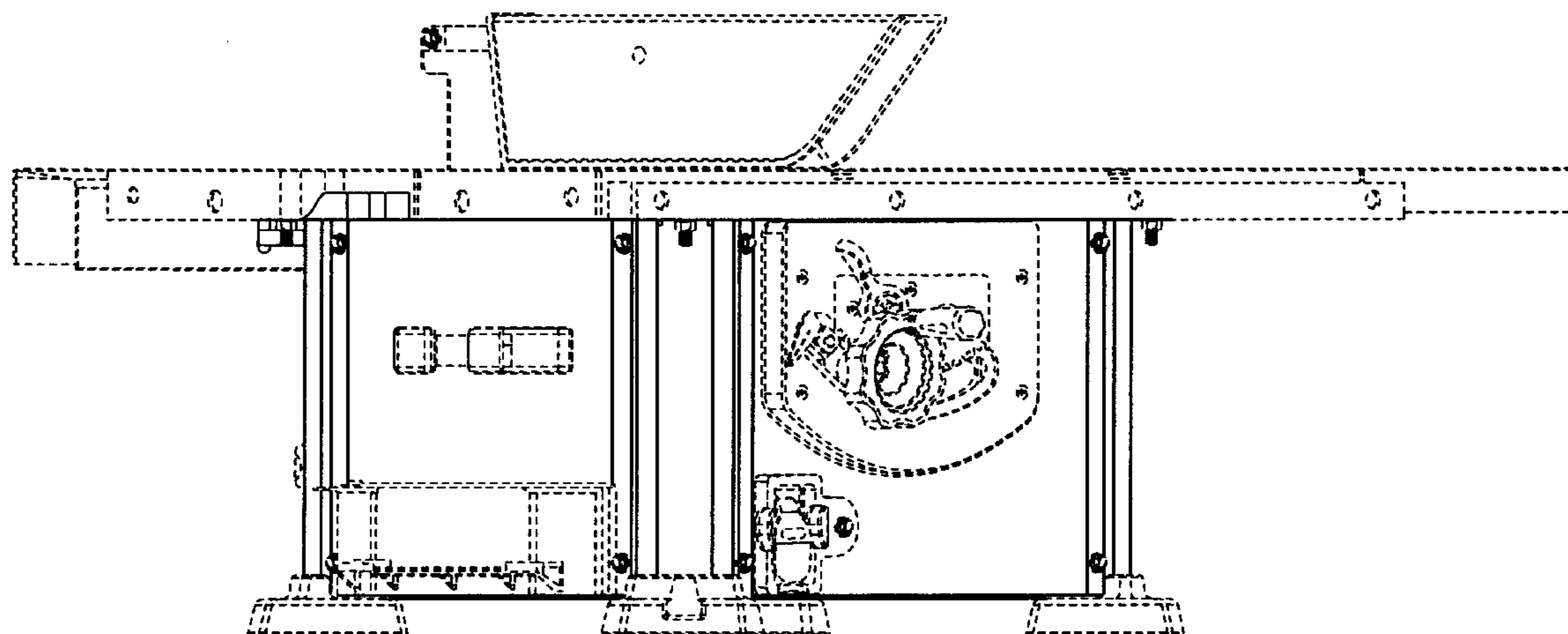
FIG. 7 is a perspective view of the table saw base of FIG. 5, as viewed from the rear right corner of the table saw; and,

Primary Examiner—Antoine D. Davis

FIG. 8 is a perspective view of the table saw base of FIG. 5, as viewed from the rear left corner of the table saw.

(74) *Attorney, Agent, or Firm*—Fitch, Even, Tabin & Flannery

1 Claim, 8 Drawing Sheets



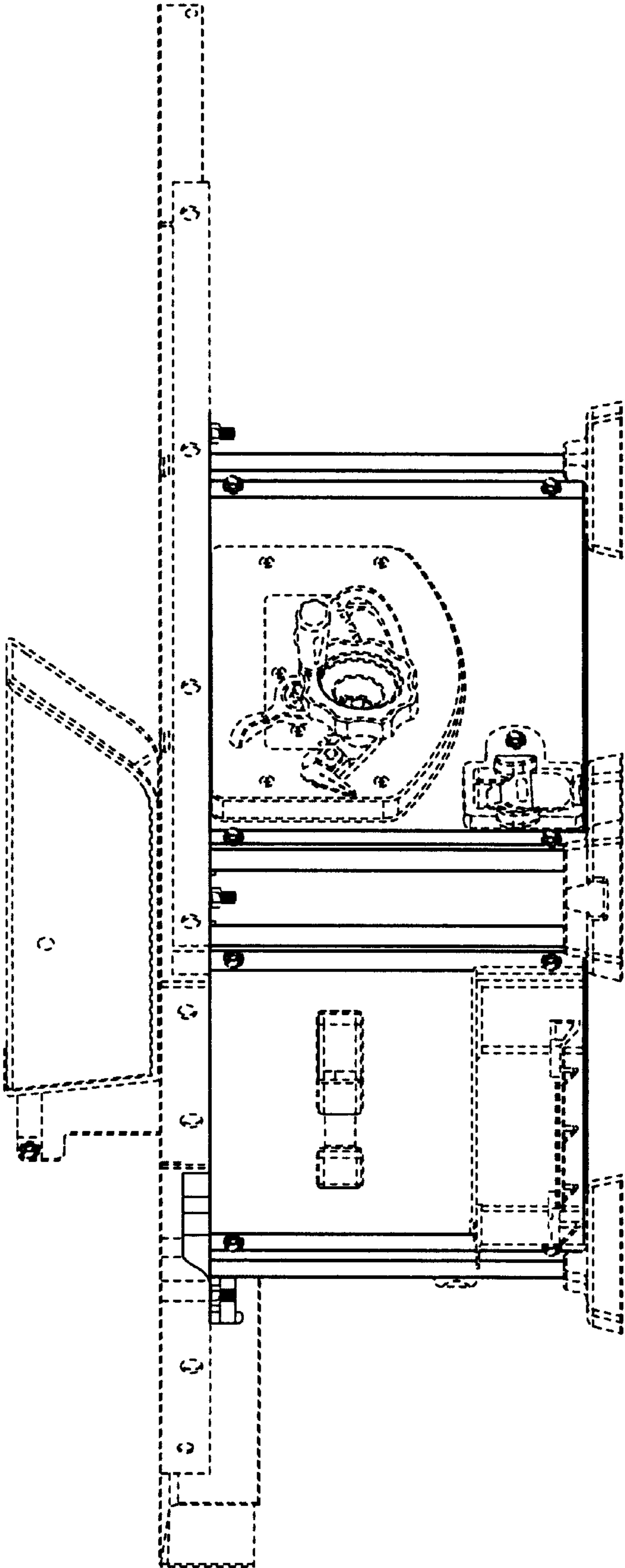


FIG. 1

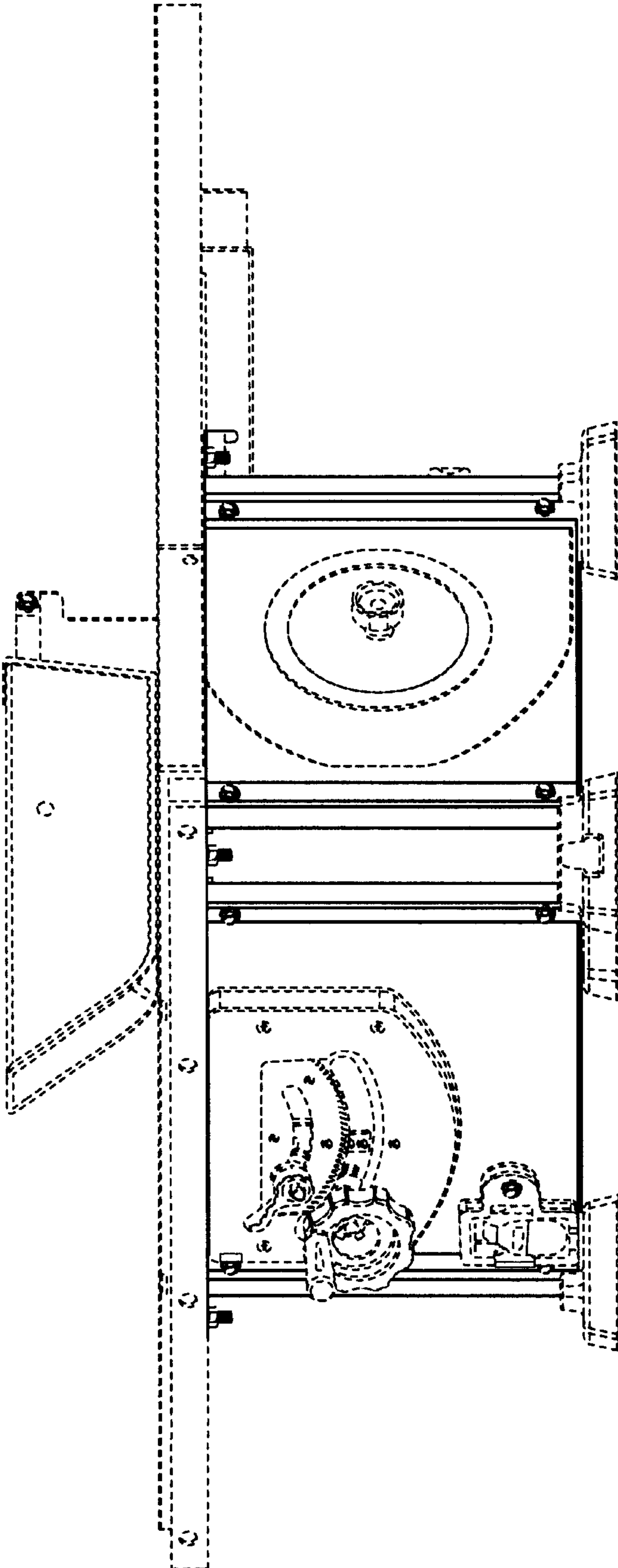


FIG. 2

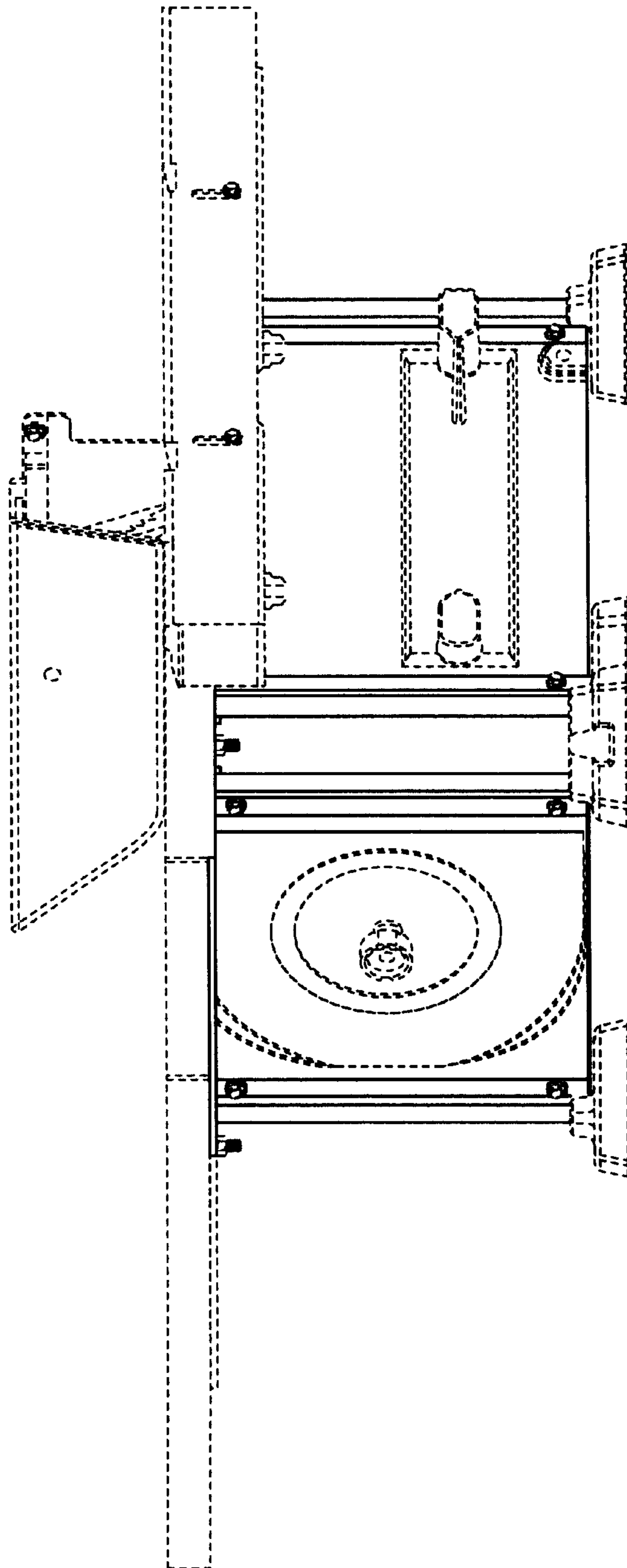


FIG. 3

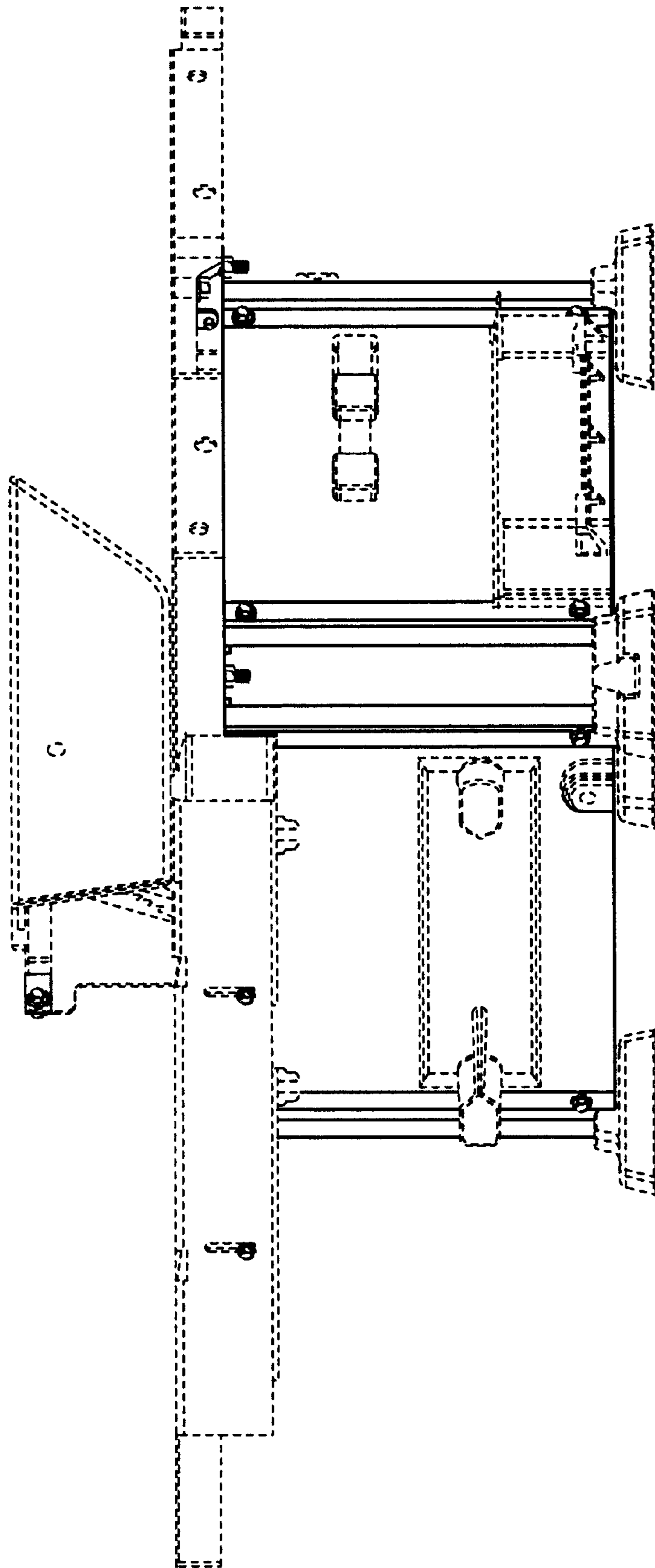


FIG. 4

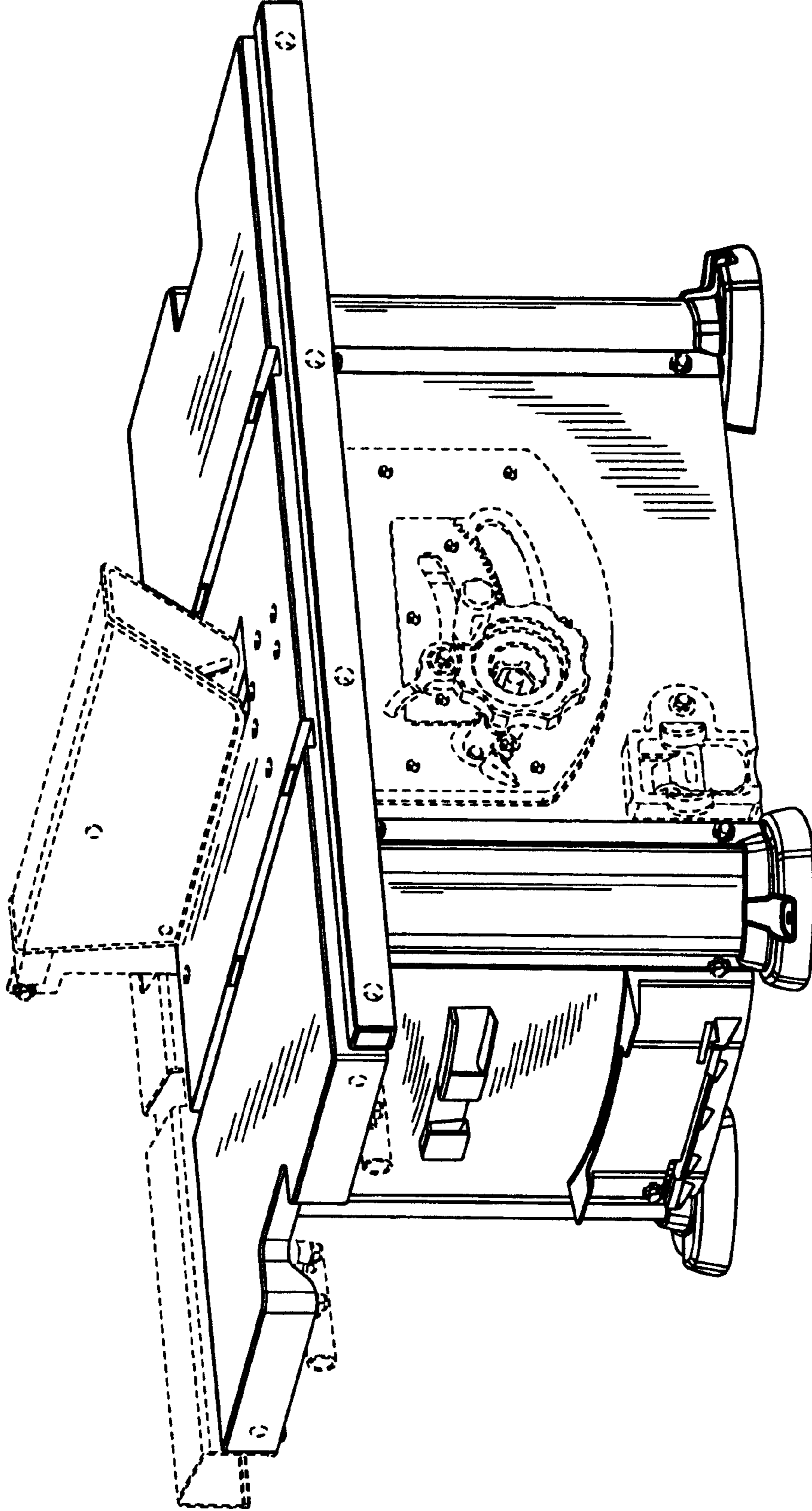


FIG. 5

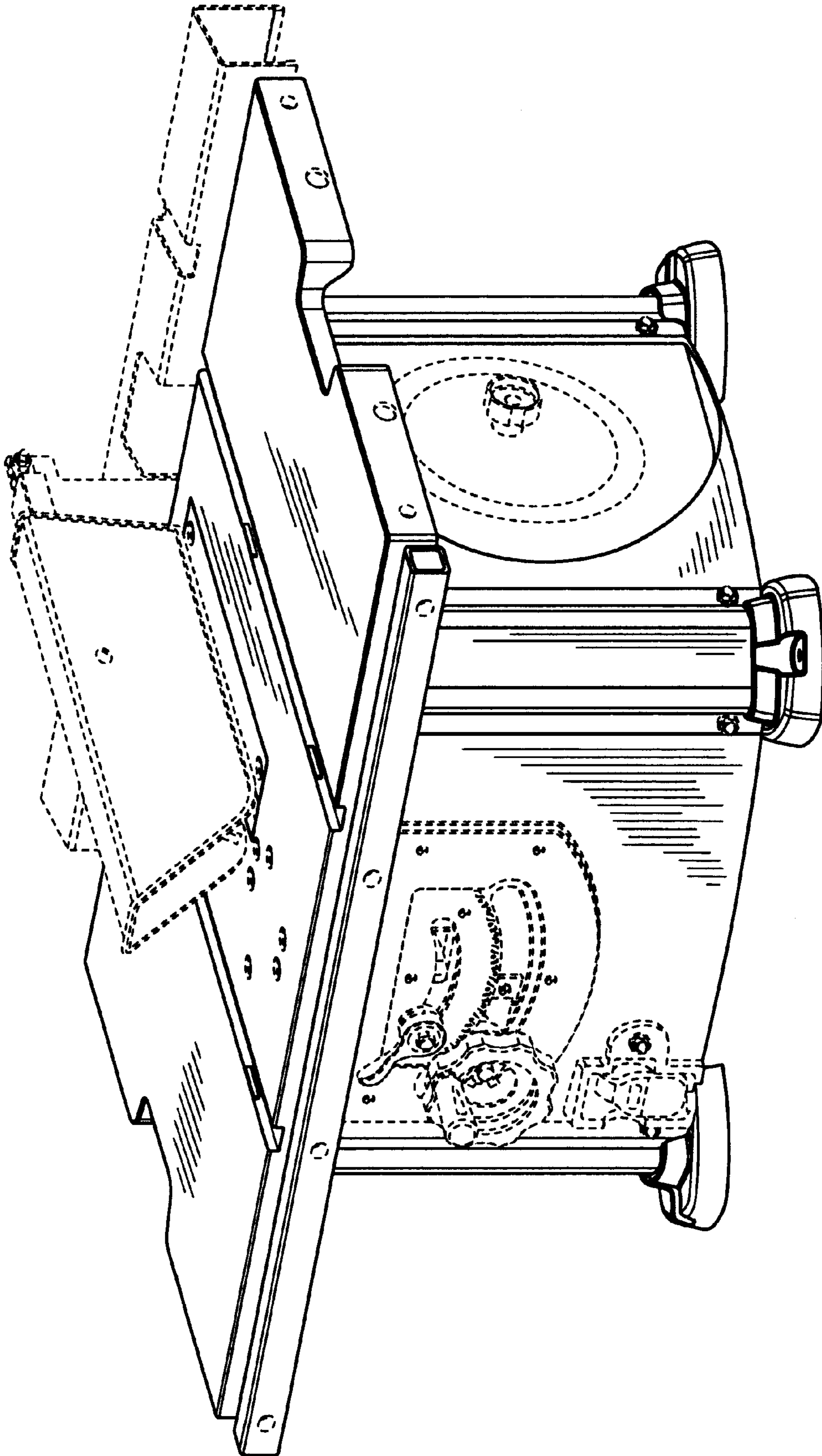


FIG. 6

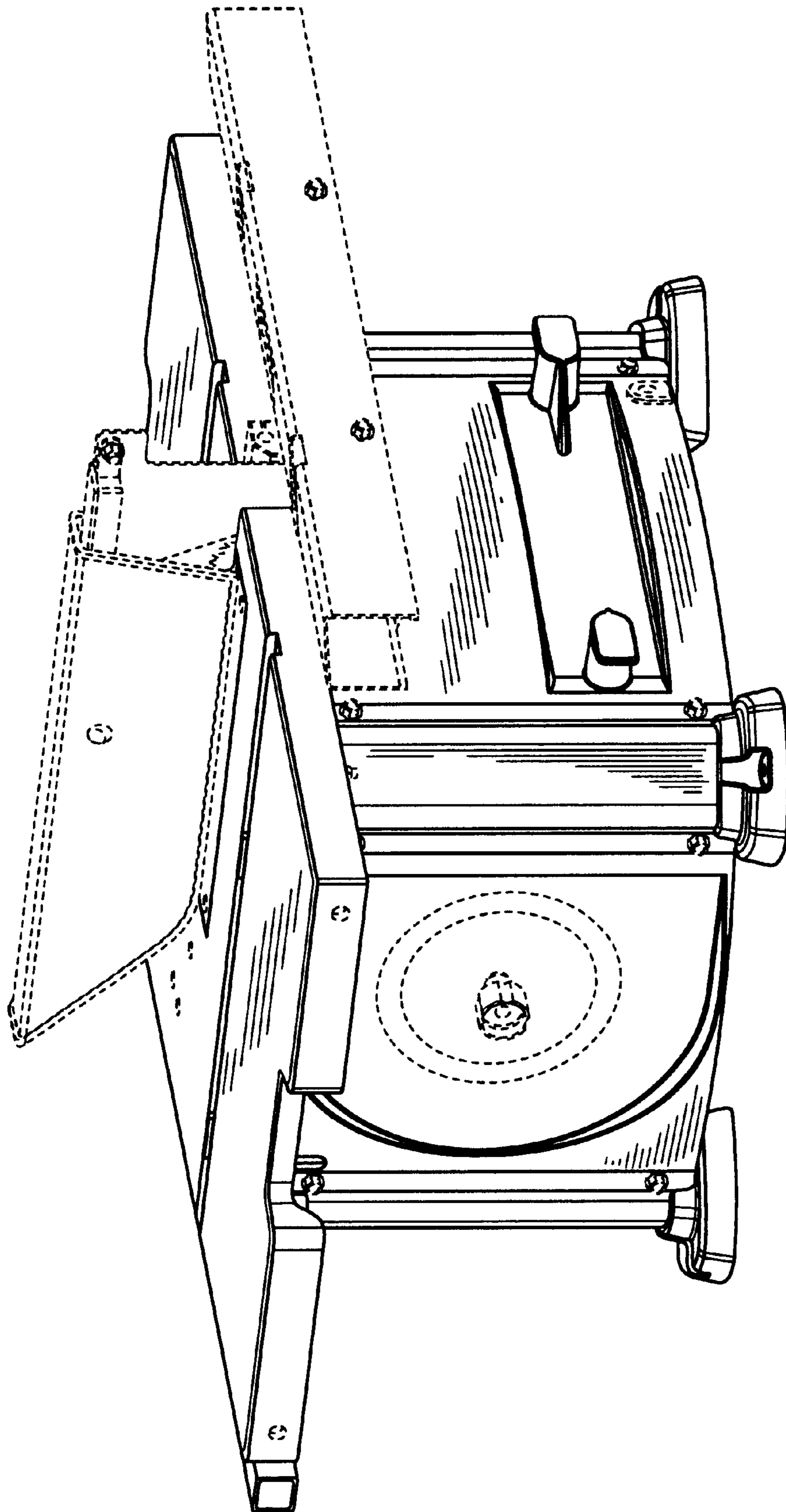


FIG. 7

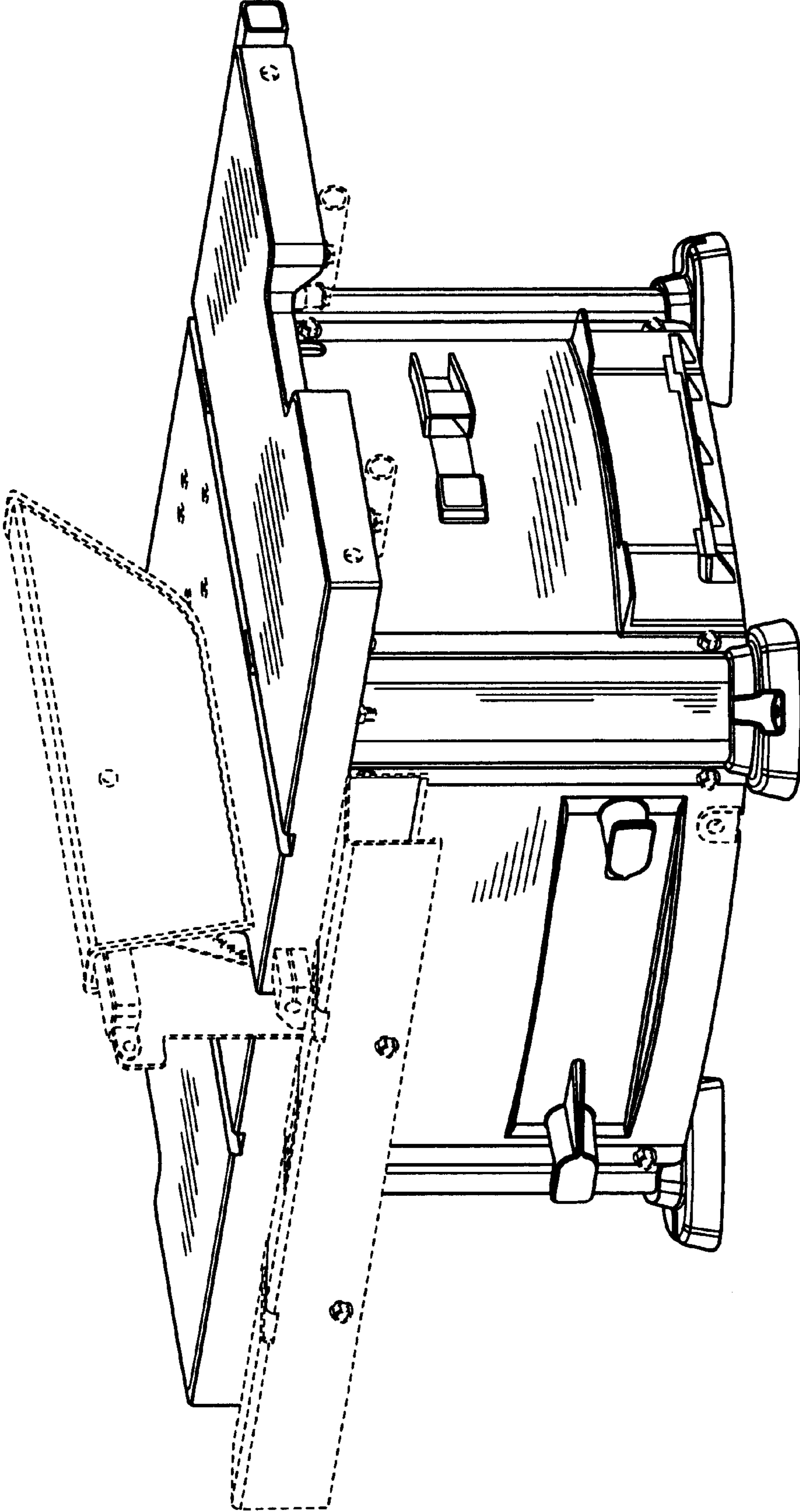


FIG. 8