



US00D513271S

(12) **United States Design Patent**
Ozawa et al.

(10) **Patent No.:** **US D513,271 S**
(45) **Date of Patent:** **** Dec. 27, 2005**

(54) **SLIDING COMPOUND MITER SAW**

(75) Inventors: **Takashi Ozawa**, Hitachinaka (JP);
Shigeharu Ushiwata, Hitachinaka (JP);
Ryuichi Imamura, Hitachinaka (JP)

(73) Assignee: **Hitachi Koki Co., Ltd.**, Tokyo (JP)

(**) Term: **14 Years**

(21) Appl. No.: **29/200,422**

(22) Filed: **Feb. 27, 2004**

(30) **Foreign Application Priority Data**

Aug. 28, 2003 (JP) 2003-024889

(51) **LOC (6) Cl.** **15-09**

(52) **U.S. Cl.** **D15/133**

(58) **Field of Search** D15/133; 83/471.1,
83/471.3, 473, 477, 490

(56) **References Cited**

U.S. PATENT DOCUMENTS

5,207,141 A * 5/1993 Dehari 83/471.3

D336,652 S * 6/1993 Arehart D15/133
D478,103 S * 8/2003 Kani et al. D15/133
D479,251 S * 9/2003 Wright D15/133
6,769,338 B2 * 8/2004 Svetlik et al. 83/471.3
6,779,428 B2 * 8/2004 Kao 83/471.3

* cited by examiner

Primary Examiner—Antoine D. Davis

(74) *Attorney, Agent, or Firm*—Sughrue Mion, PLLC

(57) **CLAIM**

The ornamental design for a sliding compound miter saw, as shown.

DESCRIPTION

FIG. 1 is a perspective view of the top, front and left side of a sliding compound miter saw showing our new design; FIG. 2 is a left side elevational view thereof; FIG. 3 is a right side elevational view thereof; FIG. 4 is a rear elevational view thereof; FIG. 5 is a front elevational view thereof; FIG. 6 is a top plan view thereof; and, FIG. 7 is a bottom plan view thereof.

1 Claim, 7 Drawing Sheets

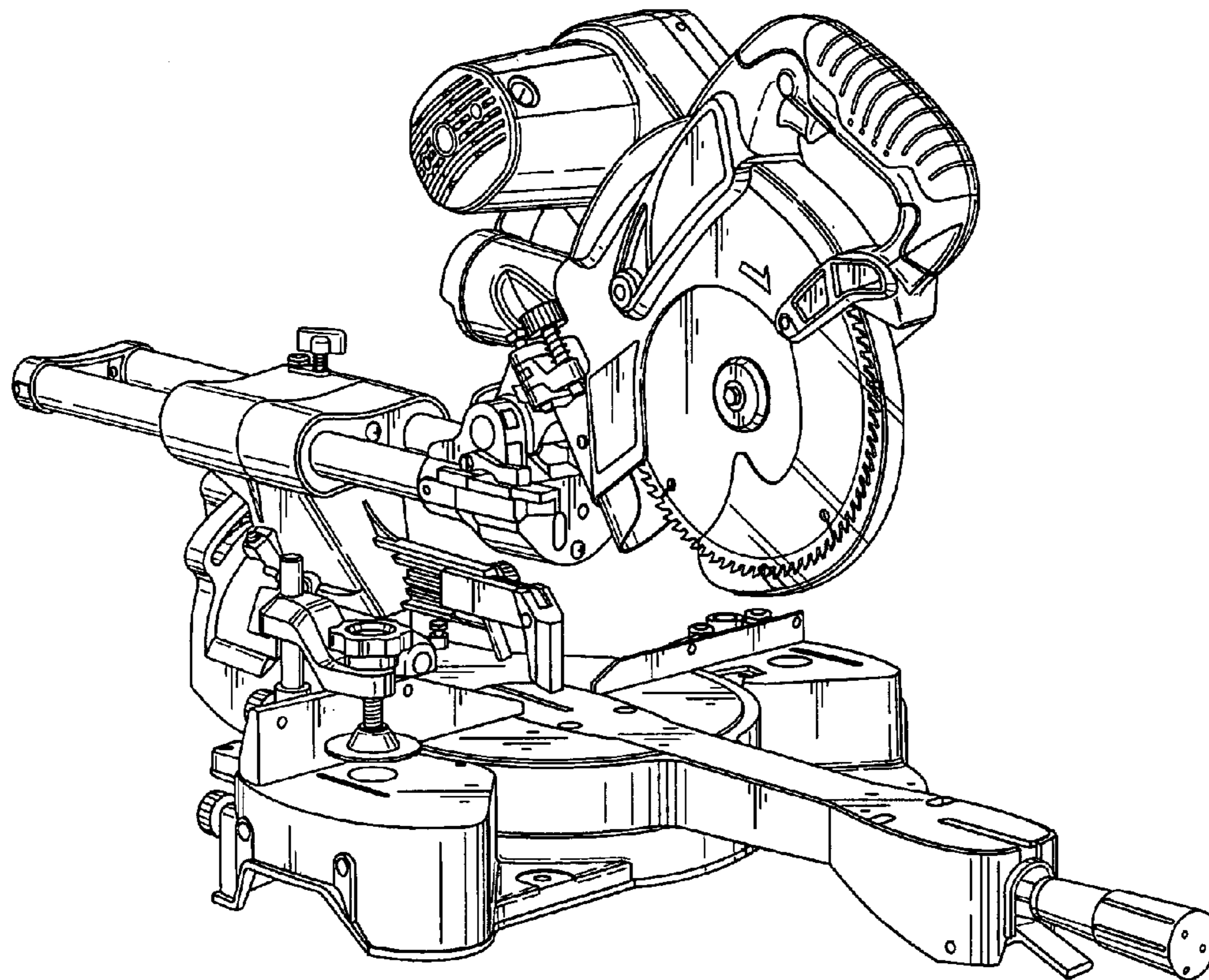


FIG. 1

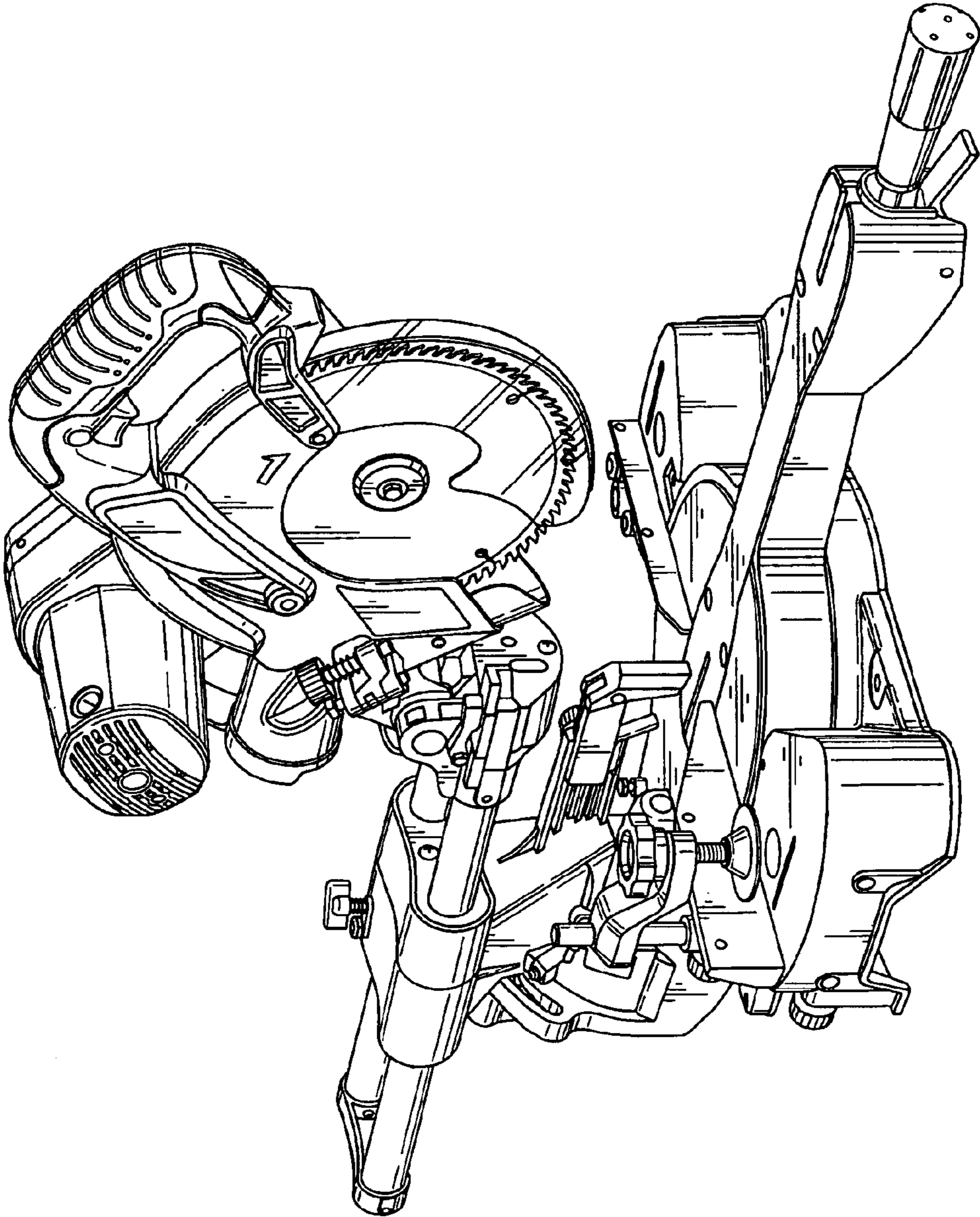


FIG. 2

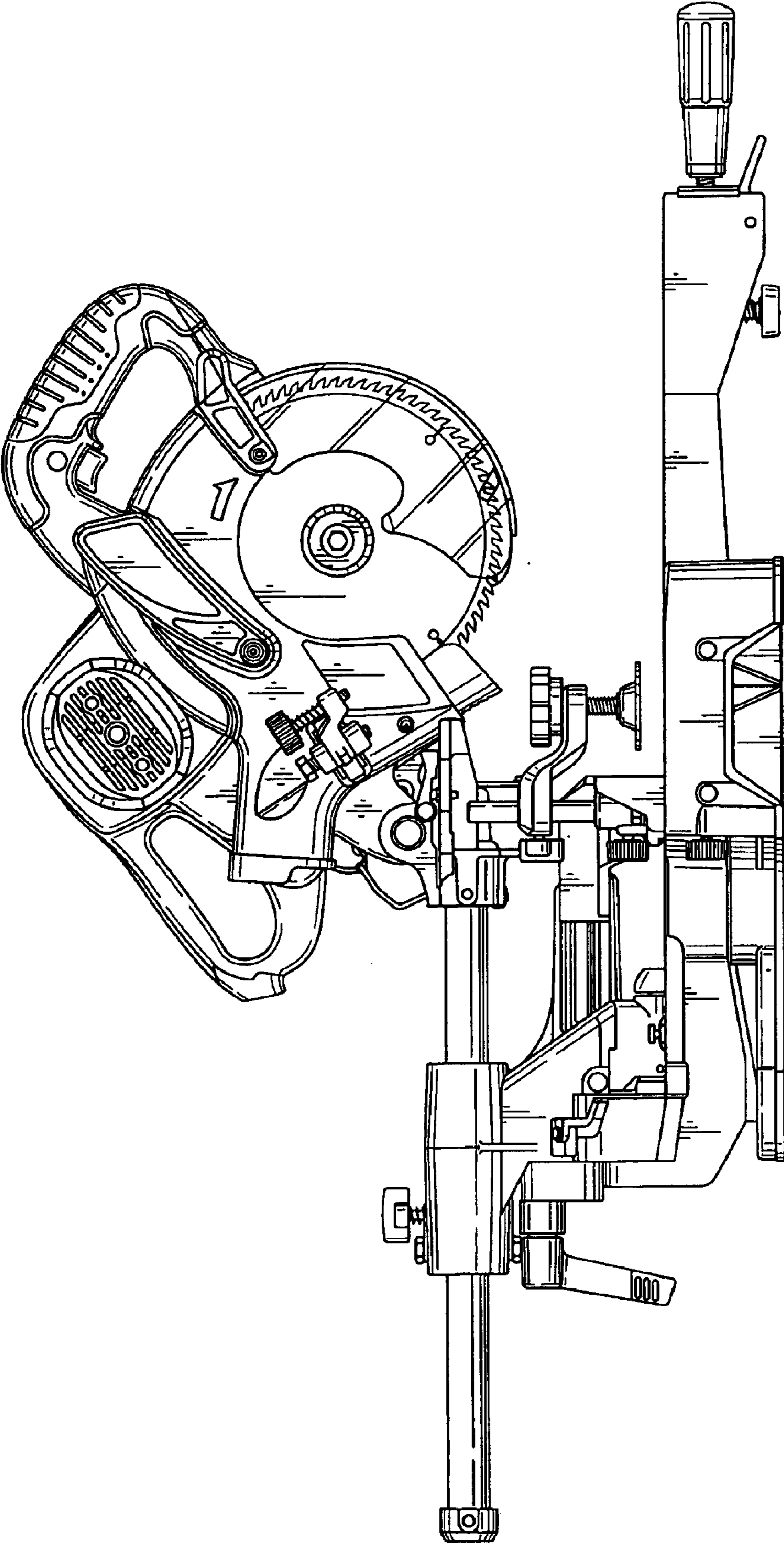


FIG. 3

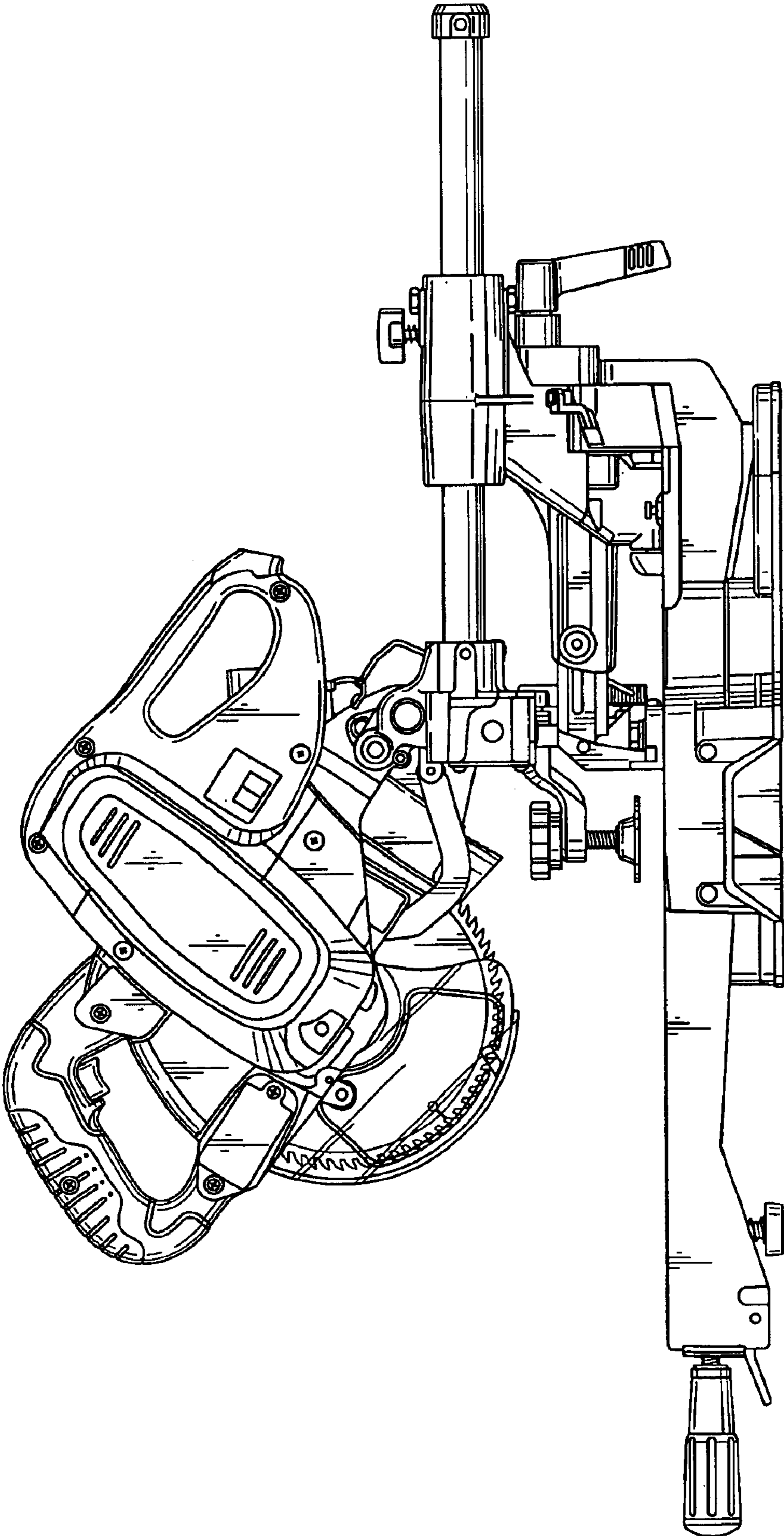


FIG. 4

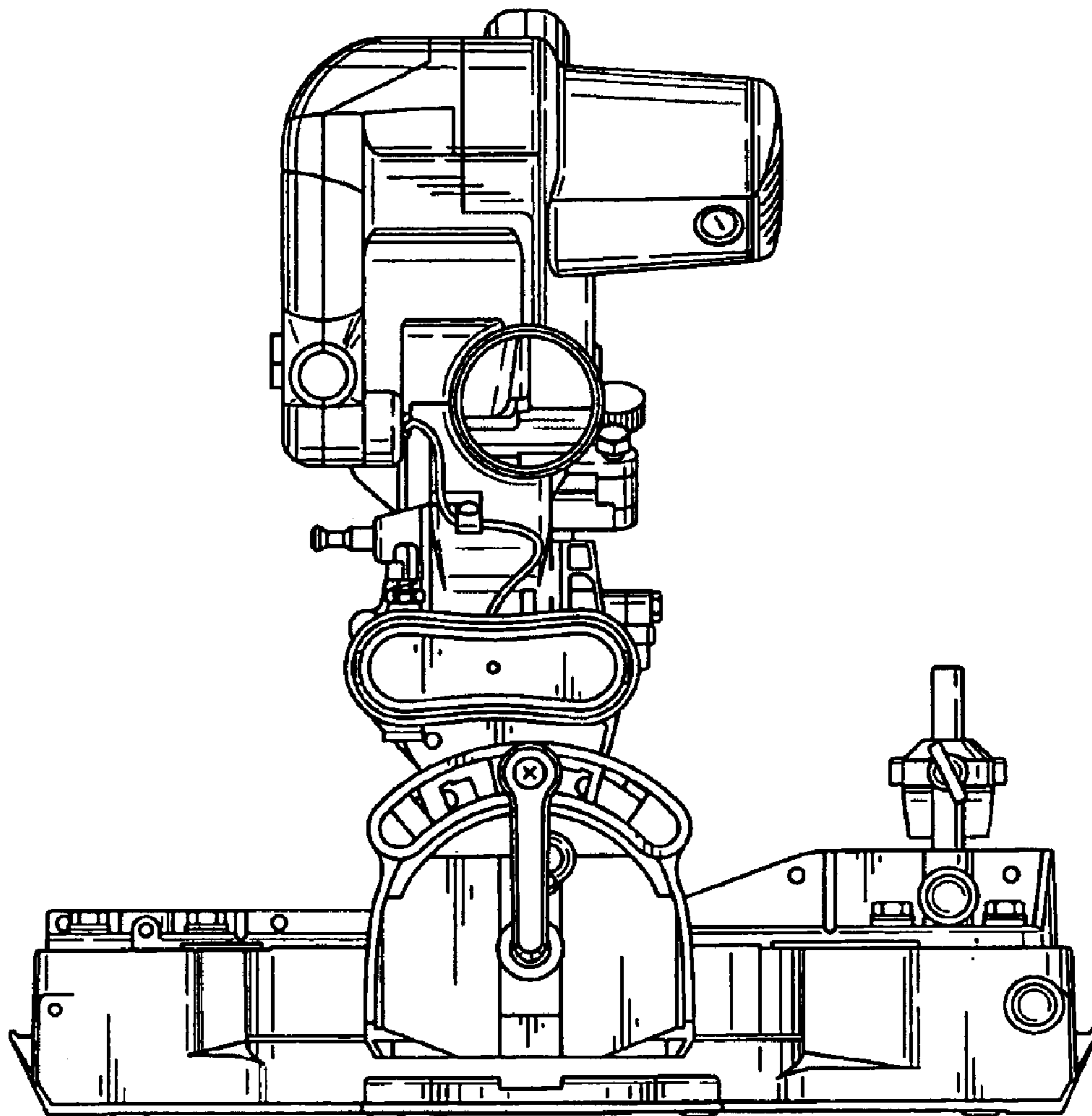


FIG. 5

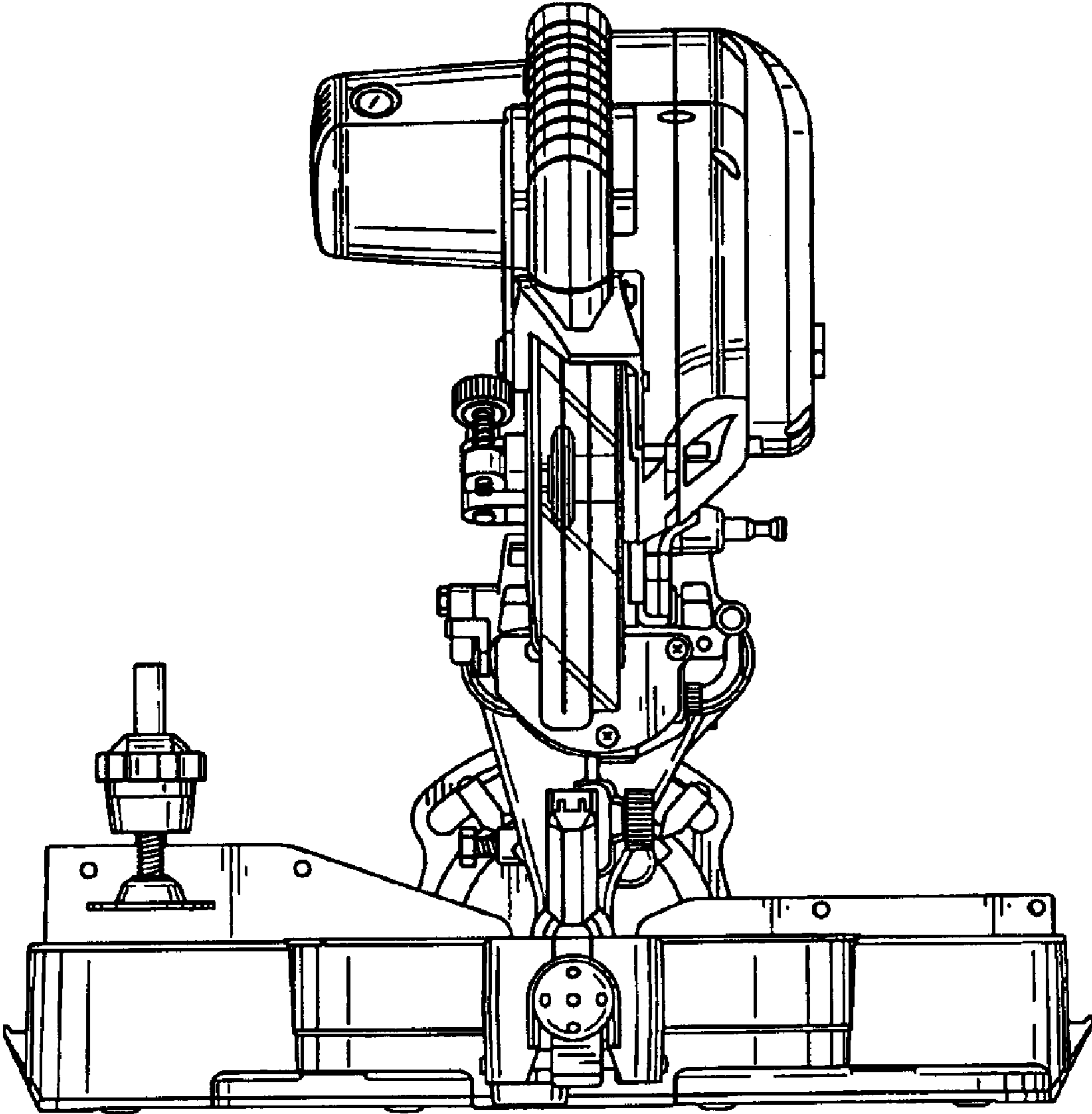


FIG. 6

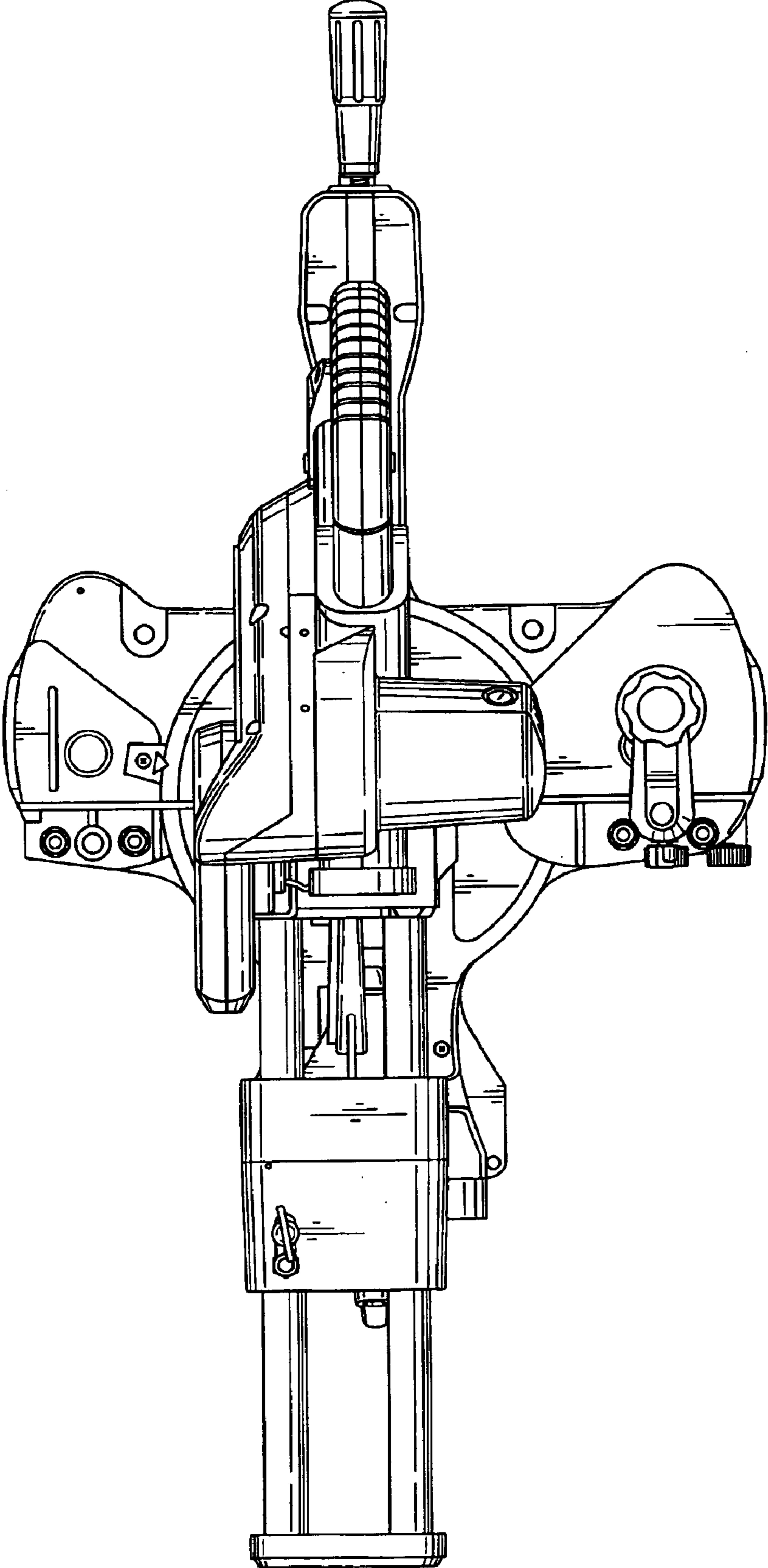


FIG. 7

