



US00D513270S

(12) **United States Design Patent**
Seok et al.

(10) **Patent No.:** **US D513,270 S**

(45) **Date of Patent:** **** Dec. 27, 2005**

(54) **FREEZER DOOR WITH SHELVES**

D382,572 S * 8/1997 Greenway et al. D15/89
D405,099 S * 2/1999 Wood D15/89
D468,329 S * 1/2003 Kwak D15/91

(75) Inventors: **Kun Jun Seok**, Seoul (KR); **Kyeong Chul Cho**, Gyeonggi-do (KR)

* cited by examiner

(73) Assignee: **LG Electronics Inc.**, Seoul (KR)

Primary Examiner—Stella Reid
Assistant Examiner—Shanda C. Hill

(**) Term: **14 Years**

(74) *Attorney, Agent, or Firm*—Birch, Stewart, Kolasch & Birch, LLP

(21) Appl. No.: **29/218,870**

(57) **CLAIM**

(22) Filed: **Dec. 9, 2004**

The ornamental design for a freezer door with shelves, as shown and described.

(51) **LOC (6) Cl.** **15-07**

(52) **U.S. Cl.** **D15/89**

(58) **Field of Search** D15/79–82, 89–91;
D6/515; 62/246–255, 337, 3.6; 211/74;
220/592.01, 592.02; 312/116, 321.5, 236,
401, 405.1

DESCRIPTION

FIG. 1 is a perspective view of a freezer door with shelves showing our new design;
FIG. 2 is a front view thereof where the rear view is a mirror image;
FIG. 3 is a left side view thereof;
FIG. 4 is a right side view thereof;
FIG. 5 is a top plan view thereof; and,
FIG. 6 is a bottom plan view thereof.

(56) **References Cited**

U.S. PATENT DOCUMENTS

3,220,558 A * 11/1965 Olsson 211/74
4,361,368 A * 11/1982 Daniels 312/321.5
5,567,029 A * 10/1996 Haenisch et al. 312/405.1

1 Claim, 5 Drawing Sheets

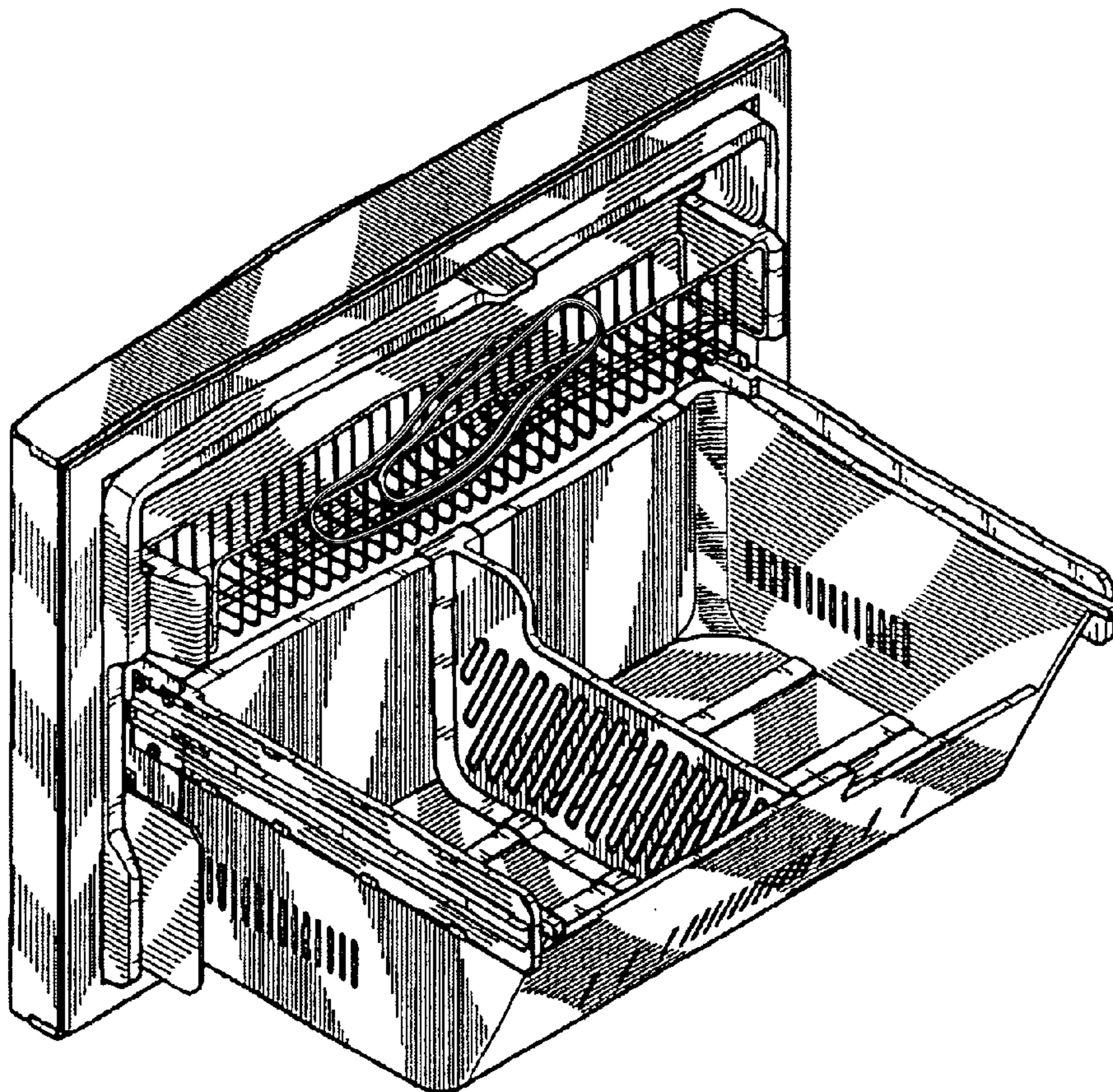


FIG. 1

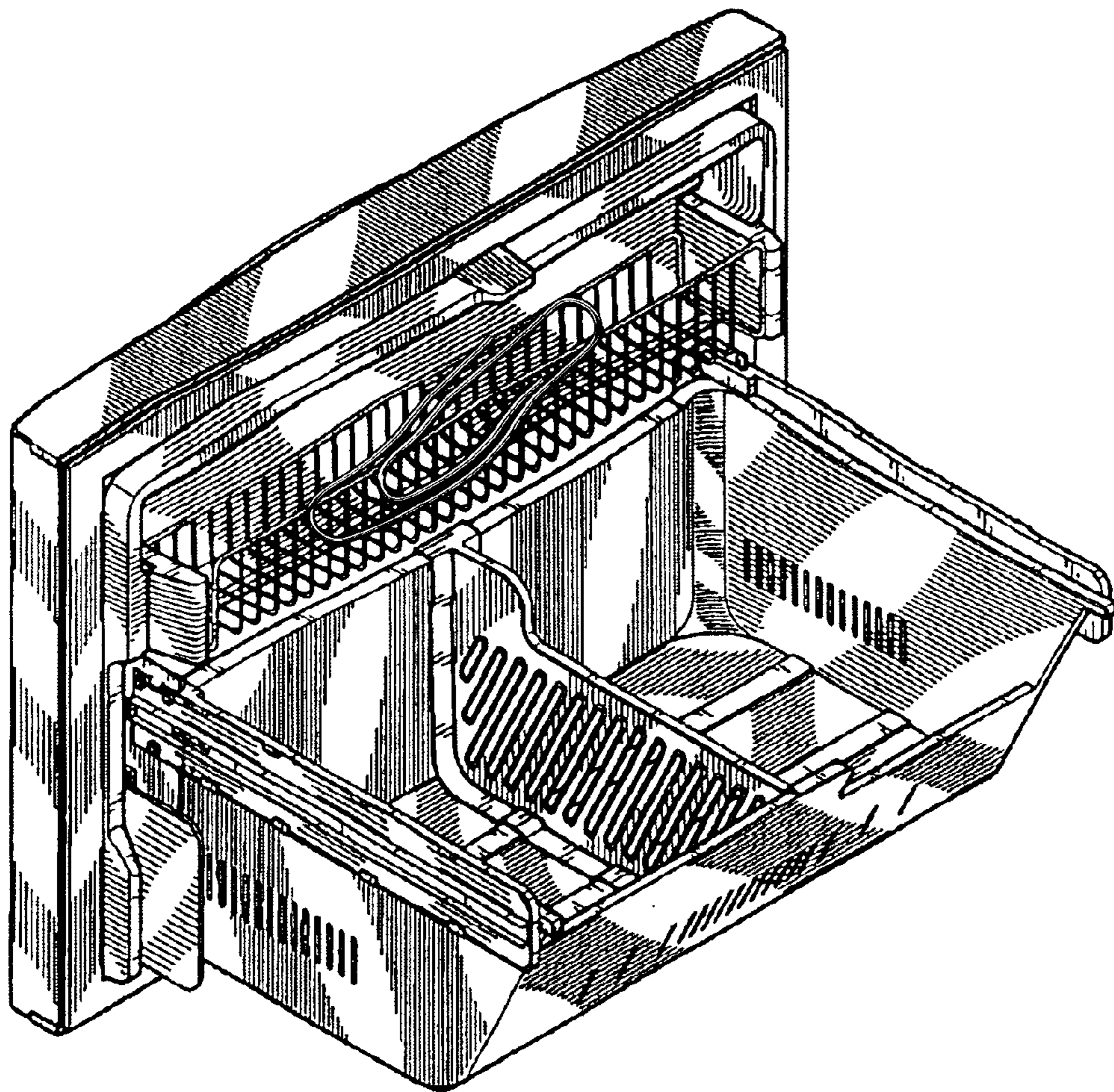


FIG. 2

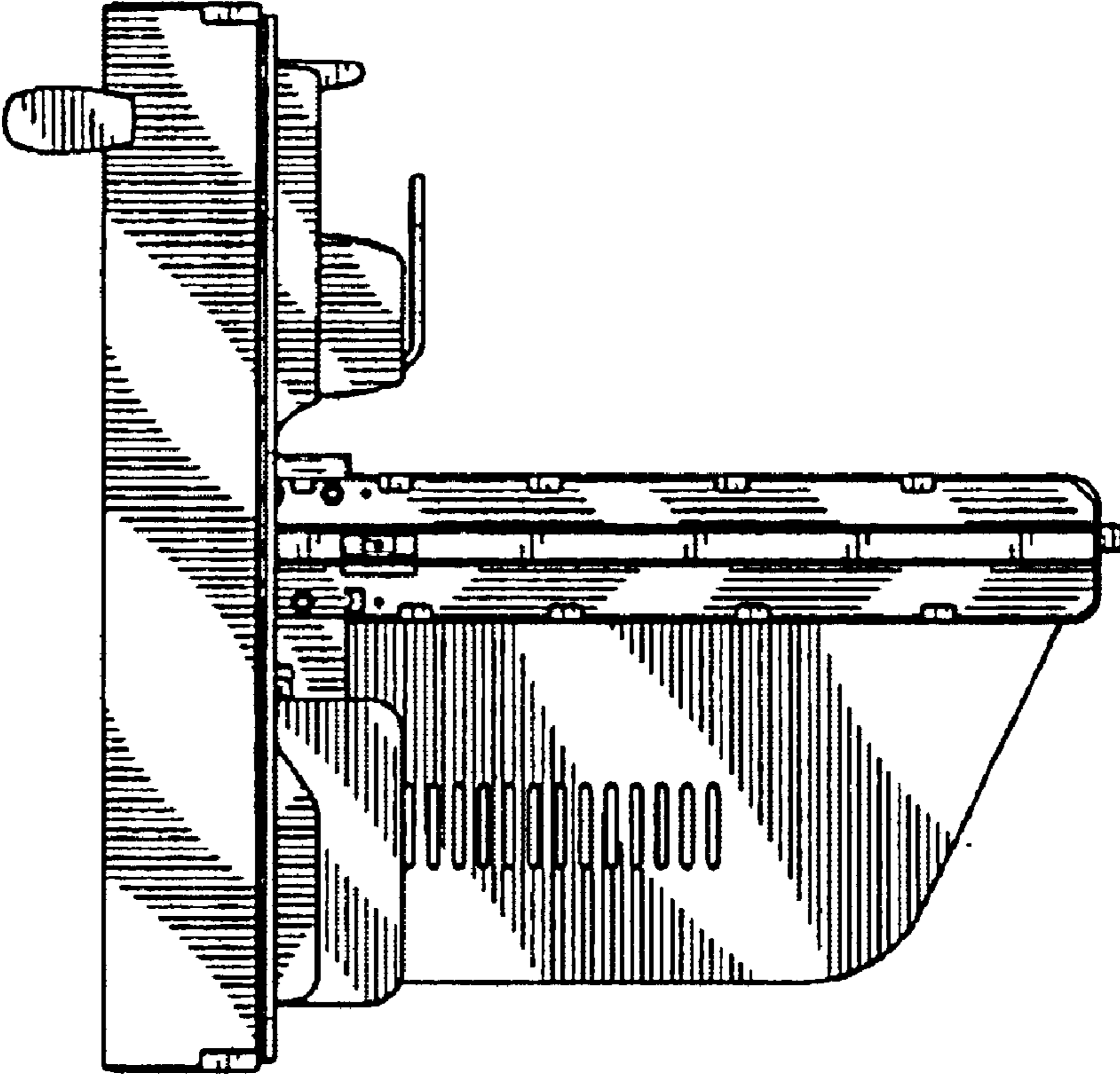


FIG. 3

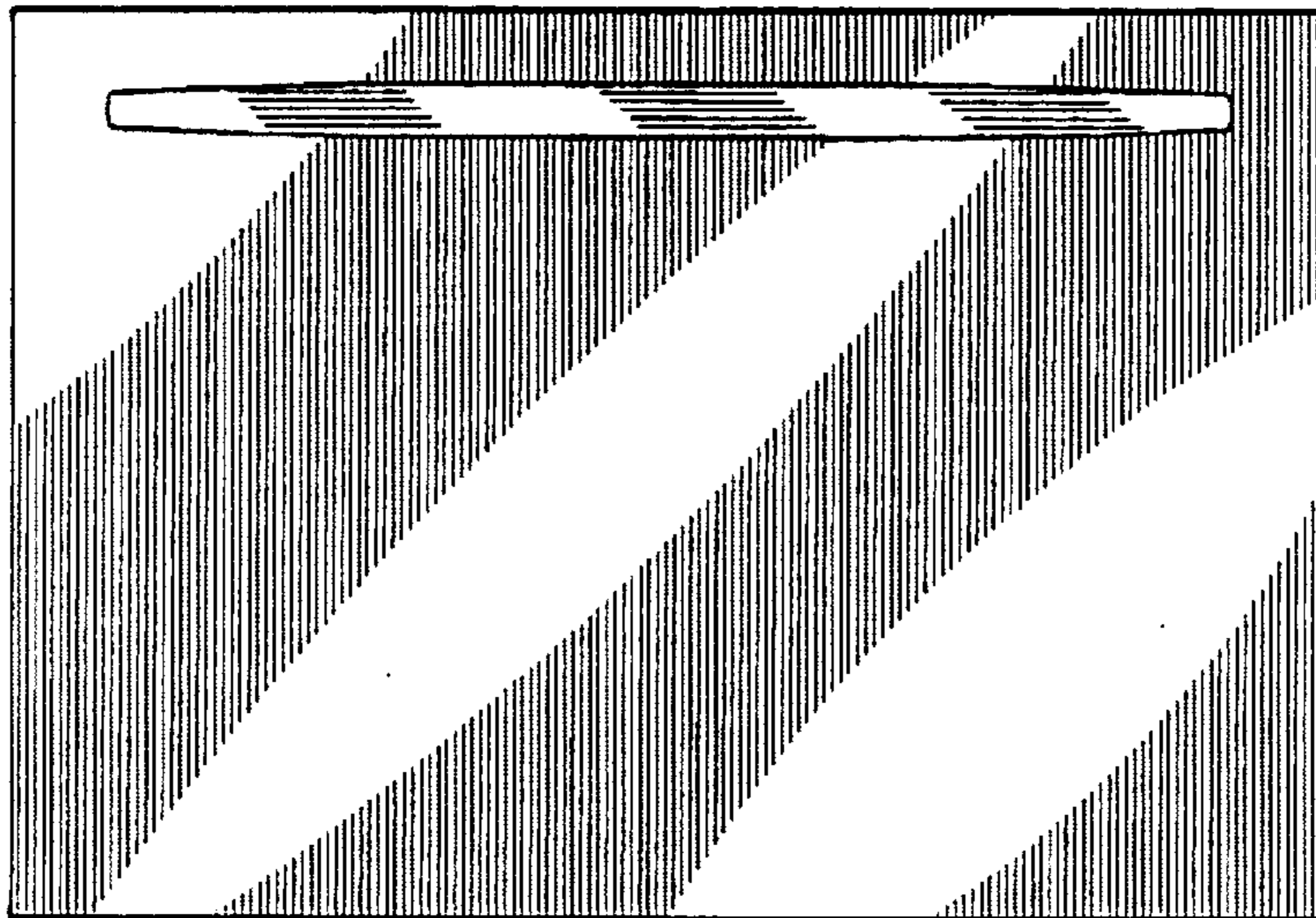


FIG. 4

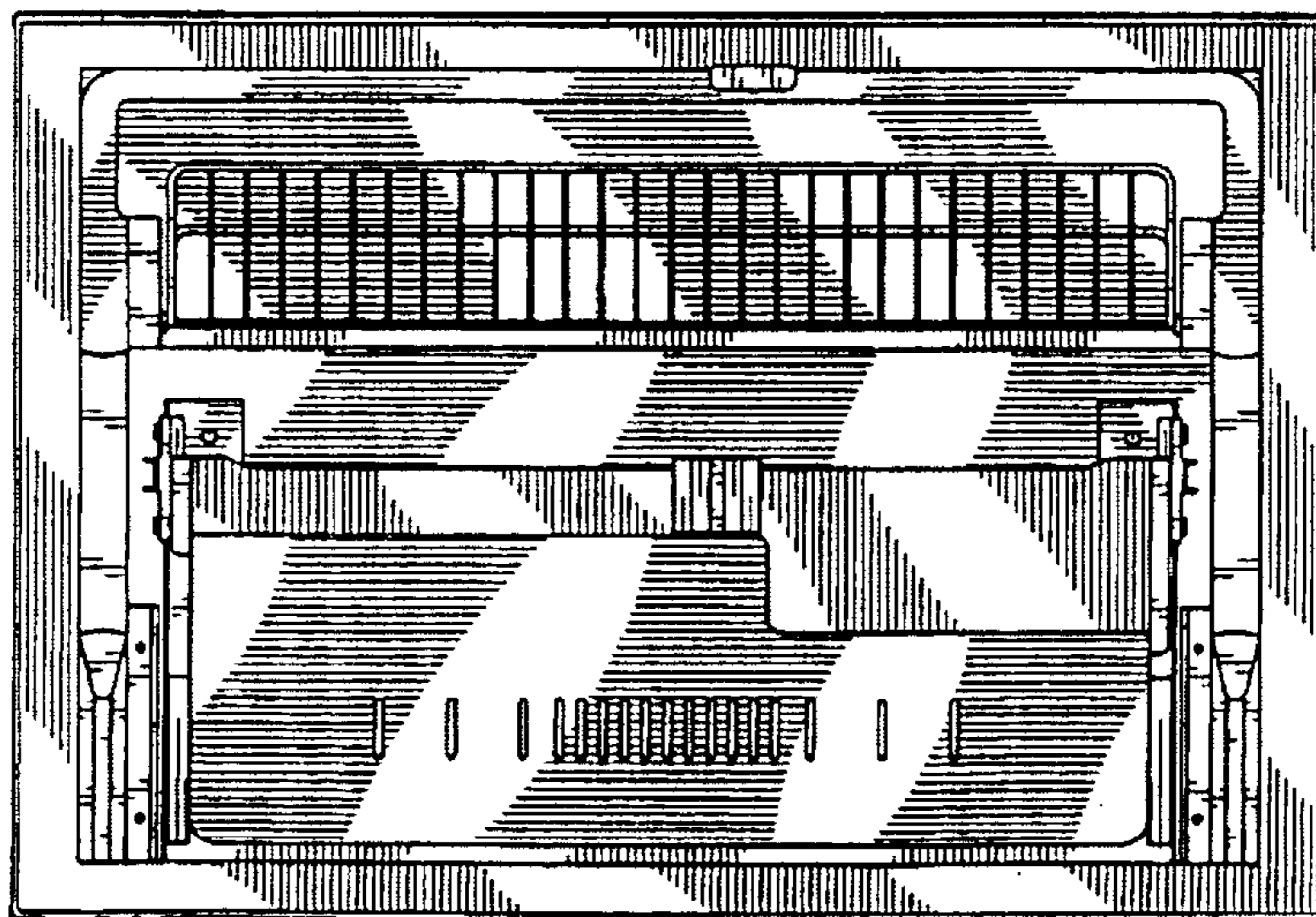


FIG. 5

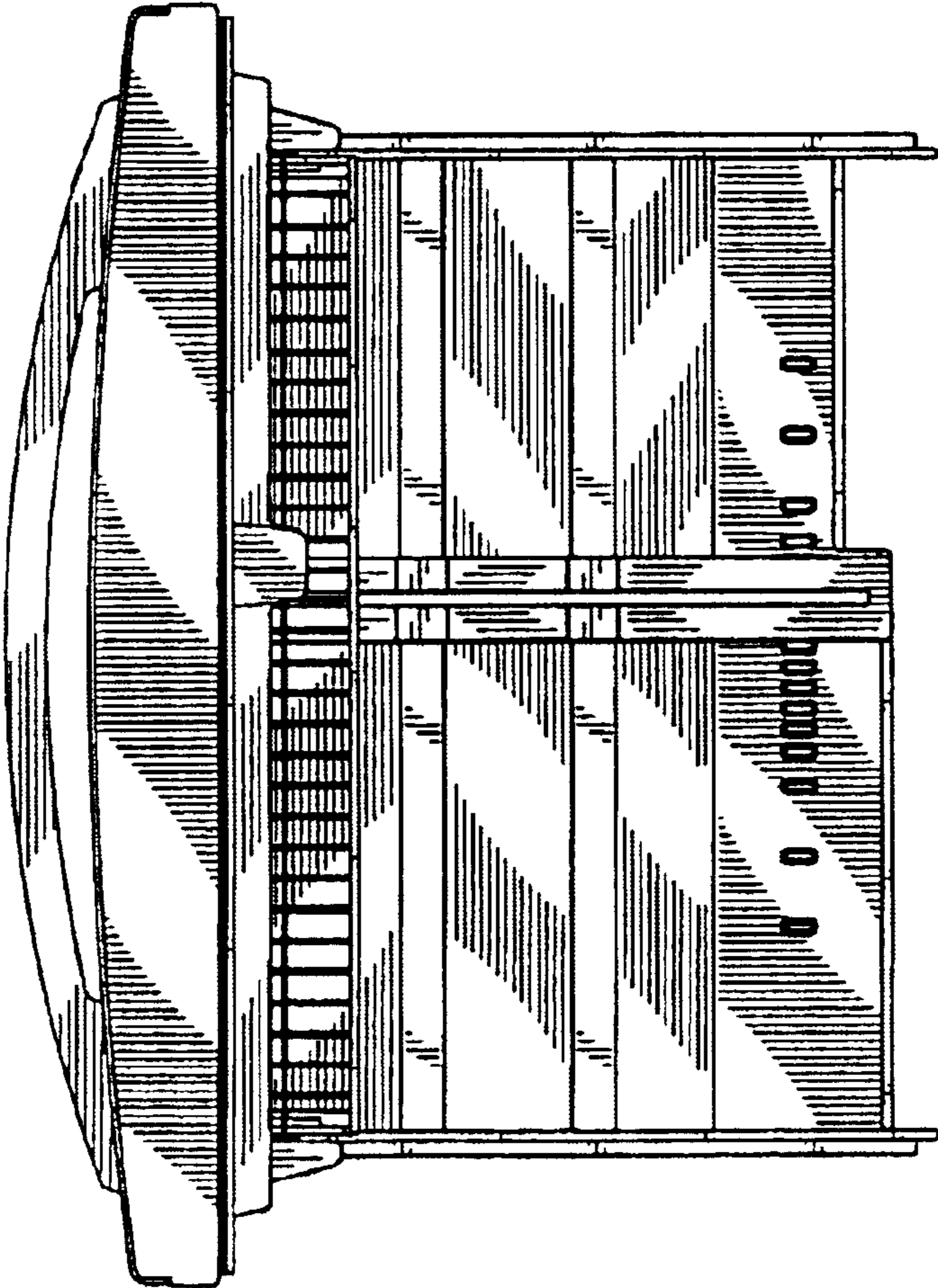


FIG. 6

