



US00D513267S

(12) **United States Design Patent**  
**Chen**

(10) **Patent No.:** **US D513,267 S**

(45) **Date of Patent:** **\*\* Dec. 27, 2005**

(54) **MINI MEDIA PLAYER**

(75) **Inventor:** **Hung-Chang Chen, Tu-Chen (TW)**

(73) **Assignee:** **Hon Hai Precision Ind. Co., Ltd.,  
Taipei Hsien (TW)**

(\*\*) **Term:** **14 Years**

(21) **Appl. No.:** **29/217,200**

(22) **Filed:** **Nov. 15, 2004**

(51) **LOC (6) Cl.** ..... **14-03**

(52) **U.S. Cl.** ..... **D14/496; D14/156**

(58) **Field of Search** ..... **D14/496, 156,  
D14/135-137, 160, 161, 167, 168, 188;  
369/1, 2, 75.11, 29.02; 455/344-351; 463/43-47;  
370/342-344; 345/903, 905; 361/679, 683;  
700/94**

(56) **References Cited**

**U.S. PATENT DOCUMENTS**

5,661,632	A	*	8/1997	Register	.....	361/683
6,122,526	A	*	9/2000	Parulski et al.	.....	455/556.1
6,671,567	B1	*	12/2003	Dwyer et al.	.....	700/94
D488,483	S	*	4/2004	Hu	.....	D14/496

D489,052	S	*	4/2004	Shiraki et al.	.....	D14/156
D492,698	S	*	7/2004	Tsai	.....	D14/496
6,769,036	B1	*	7/2004	Cortopassi et al.	.....	710/15
D494,188	S	*	8/2004	Huang	.....	D14/496
D506,476	S	*	6/2005	Andre et al.	.....	D14/496

\* cited by examiner

*Primary Examiner*—Prabhakar Deshmukh  
(74) *Attorney, Agent, or Firm*—Wei Te Chung

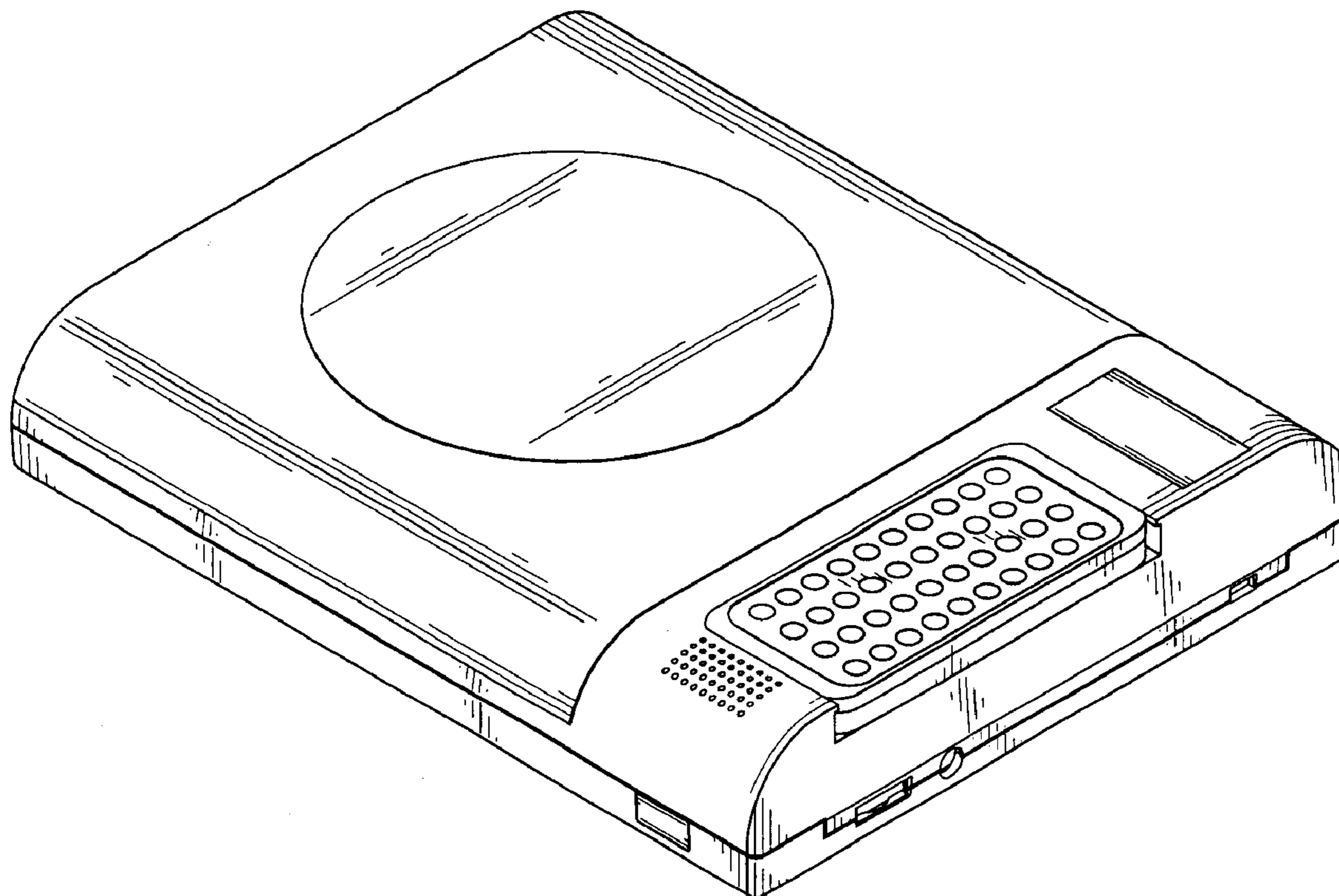
(57) **CLAIM**

The ornamental design for a mini media player, as shown and described.

**DESCRIPTION**

FIG. 1 is a top, front and right side perspective view of a mini media player showing my new design; FIG. 2 is a front elevational view thereof; FIG. 3 is a rear elevational view thereof; FIG. 4 is a left side elevational view thereof; FIG. 5 is a right side elevational view thereof; FIG. 6 is a top plan view thereof; FIG. 7 is a bottom plan view thereof; and, FIG. 8 is a top, front and right side perspective view showing the article with a remote controller thereof taken out.

**1 Claim, 6 Drawing Sheets**



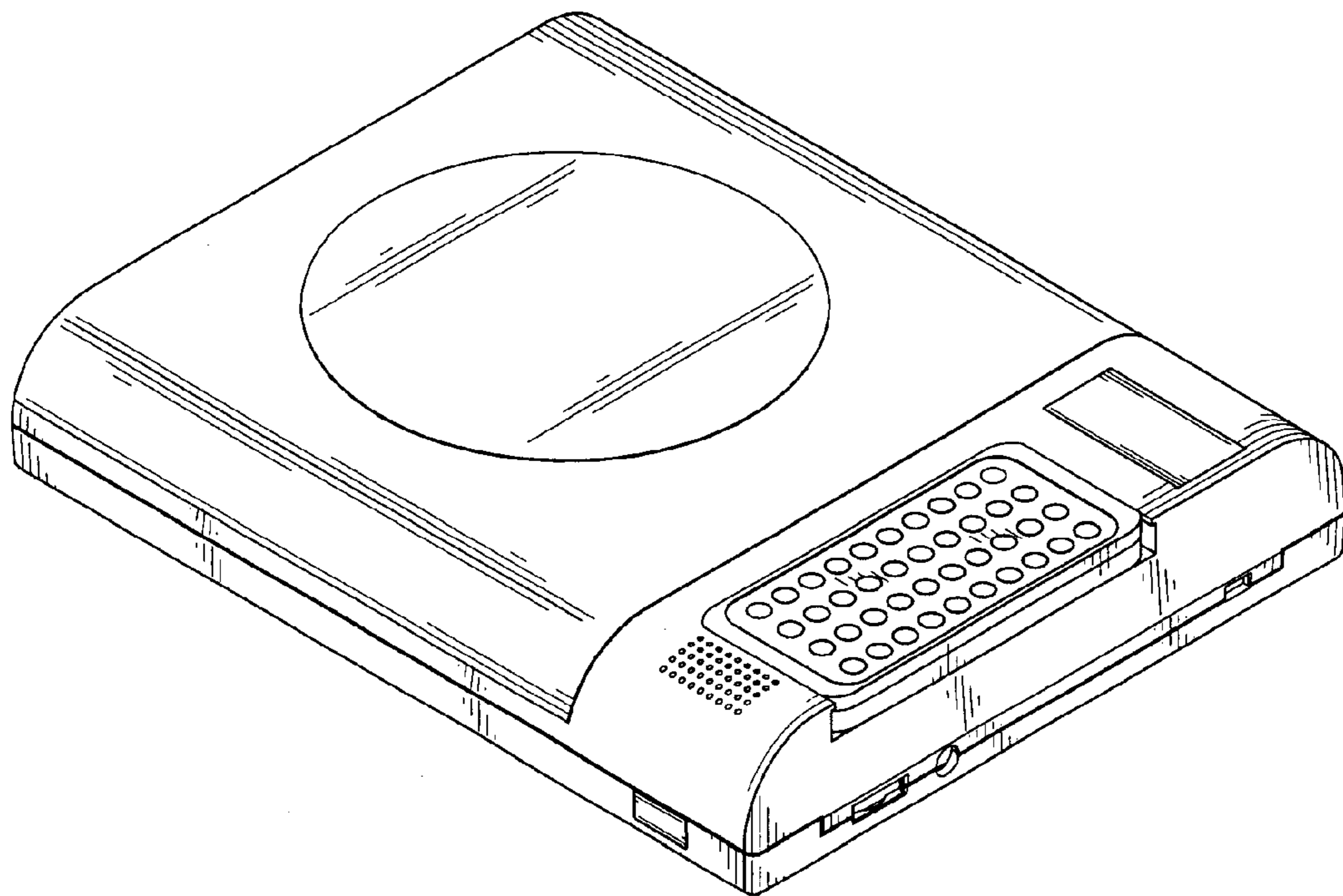


FIG. 1

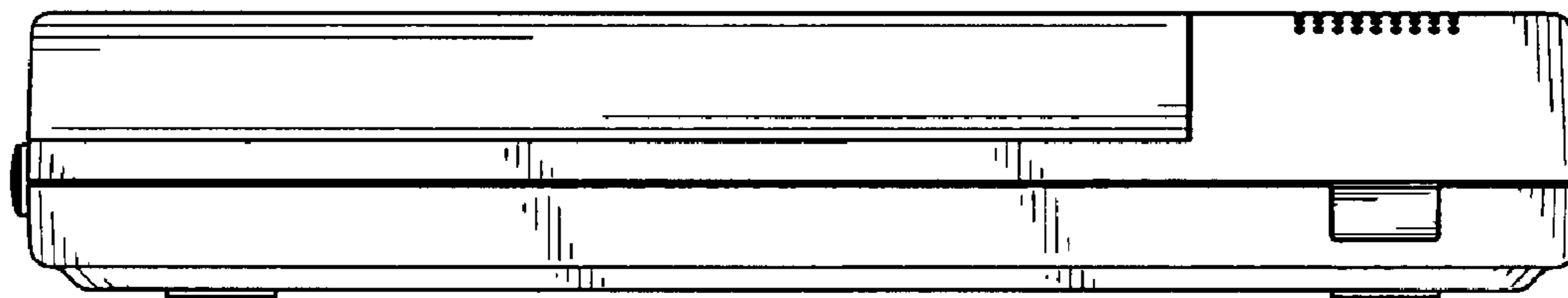


FIG. 2

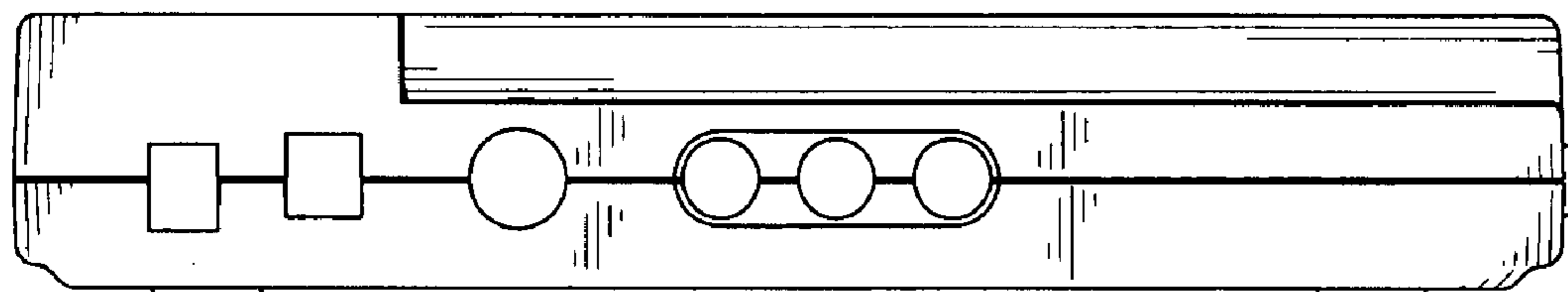


FIG. 3

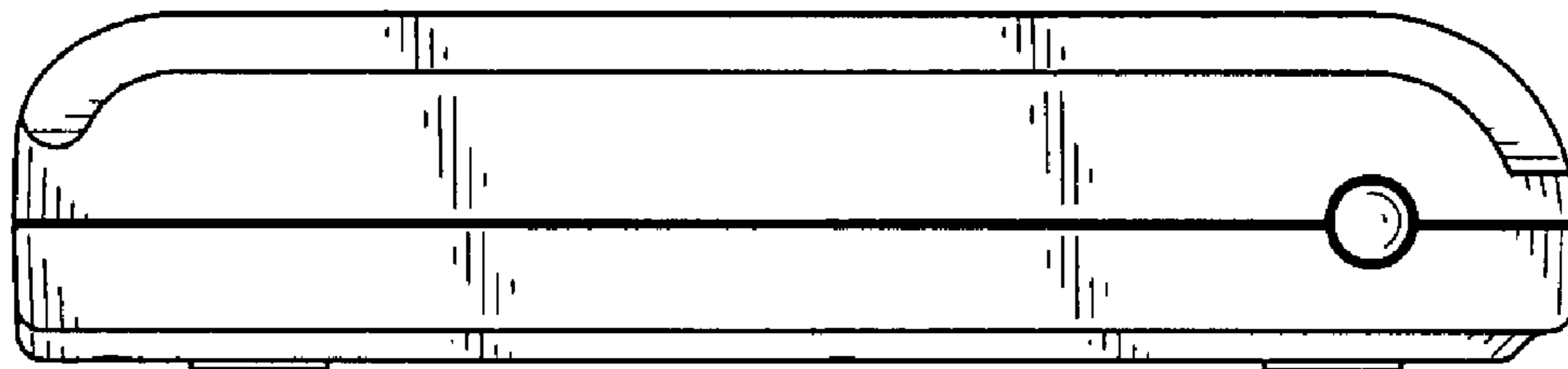


FIG. 4

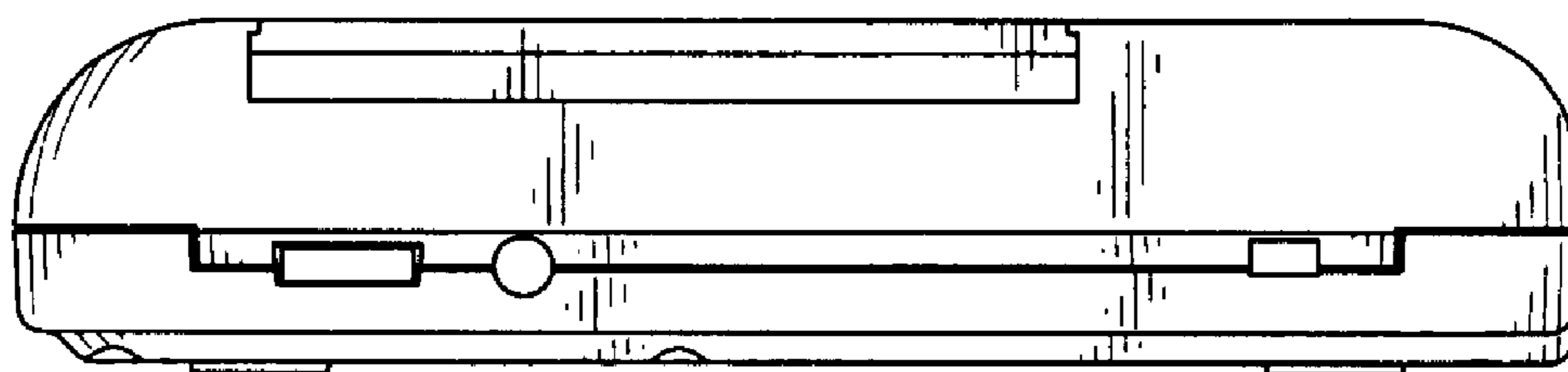


FIG. 5

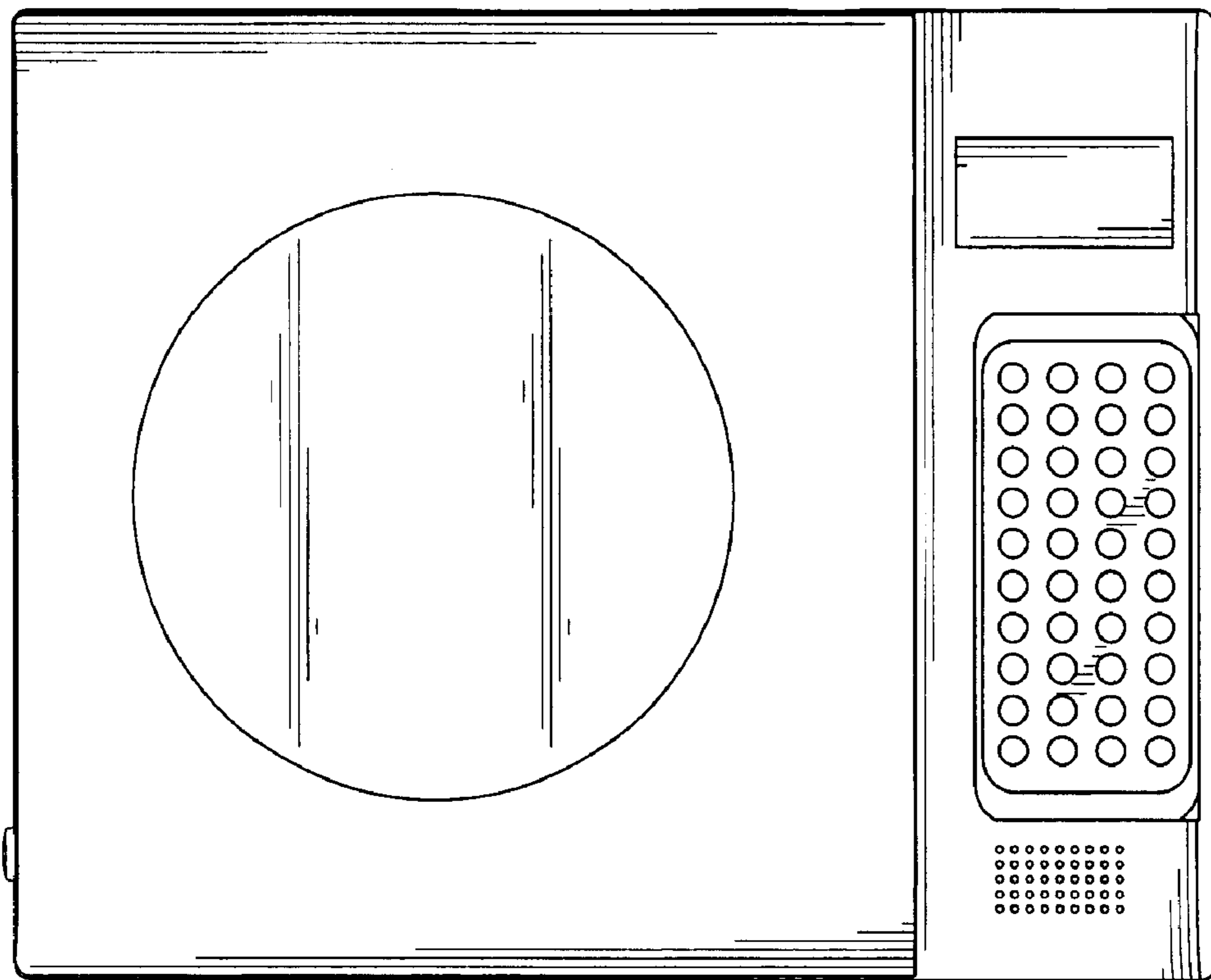


FIG. 6

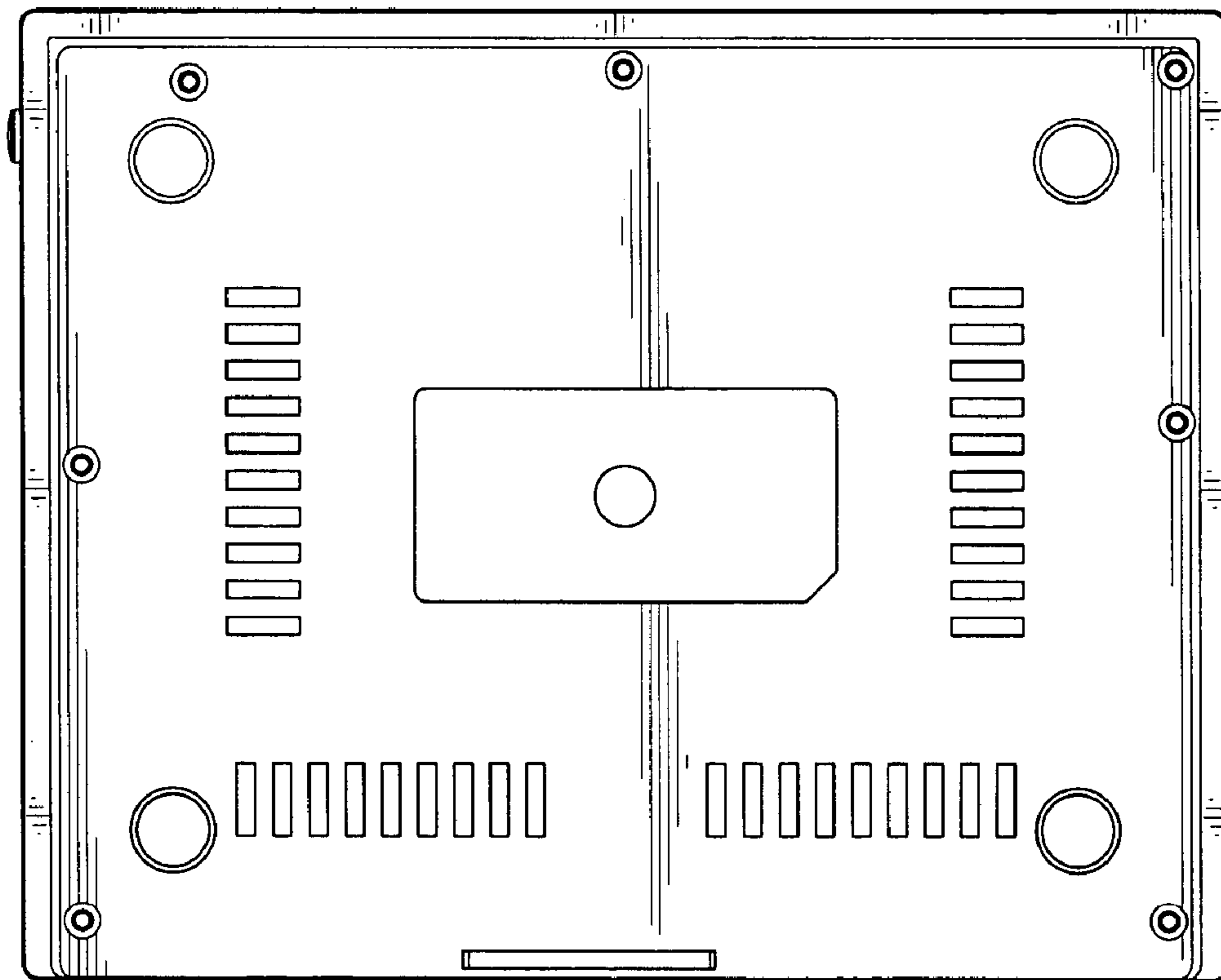


FIG. 7

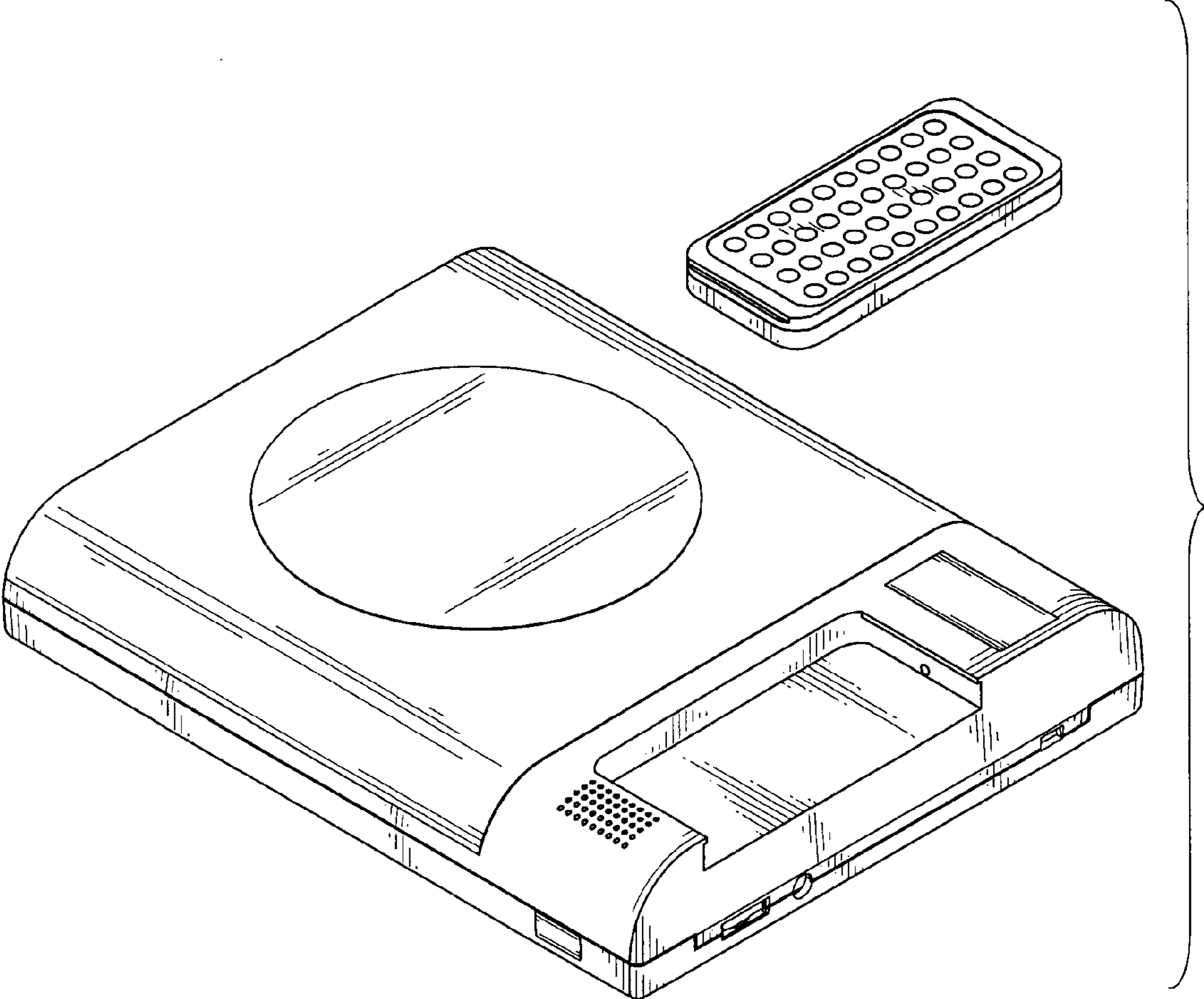


FIG. 8