



US00D513266S

(12) **United States Design Patent**
Shimizu

(10) **Patent No.:** **US D513,266 S**

(45) **Date of Patent:** **** Dec. 27, 2005**

(54) **DIGITAL AUDIO PLAYER**

(75) **Inventor:** **Naoto Shimizu, Tokyo (JP)**

(73) **Assignee:** **Sony Corporation, Tokyo (JP)**

(**) **Term:** **14 Years**

(21) **Appl. No.:** **29/211,635**

(22) **Filed:** **Aug. 19, 2004**

(51) **LOC (6) Cl. 14-03**

(52) **U.S. Cl. D14/496**

(58) **Field of Search** D14/496, 400,
D14/401, 435, 474, 453, 217, 160, 168,
188; D21/332, 333; 273/148 B; 463/43-47;
369/2, 24, 25, 75.1, 75.2, 77.1, 77.2; 370/342-344;
455/344, 347

(56) **References Cited**

U.S. PATENT DOCUMENTS

- 6,122,526 A * 9/2000 Parulski et al. 455/556.1
- 6,227,966 B1 * 5/2001 Yokoi 463/1
- D450,713 S * 11/2001 Masamitsu et al. D14/496
- 6,314,483 B1 * 11/2001 Goto et al. 710/107

- D468,365 S * 1/2003 Bransky et al. D21/329
- 6,529,714 B1 * 3/2003 Nakamura et al. 455/575.1
- D494,188 S * 8/2004 Huang D14/496
- D499,424 S * 12/2004 Bahroocha D14/496
- D503,409 S * 3/2005 Wong et al. D14/496
- D504,442 S * 4/2005 Kim D14/496

* cited by examiner

Primary Examiner—Prabhakar Deshmukh

(74) *Attorney, Agent, or Firm*—Rader, Fishman & Grauer PLLC

(57) **CLAIM**

The ornamental design for a digital audio player, as shown.

DESCRIPTION

FIG. 1 is a front elevational view of a digital audio player showing my new design;
 FIG. 2 is a rear elevational view thereof;
 FIG. 3 is a top plan view thereof;
 FIG. 4 is a bottom plan view thereof;
 FIG. 5 is a right side elevational view thereof;
 FIG. 6 is a left side elevational view thereof; and,
 FIG. 7 is a perspective view thereof.

1 Claim, 7 Drawing Sheets

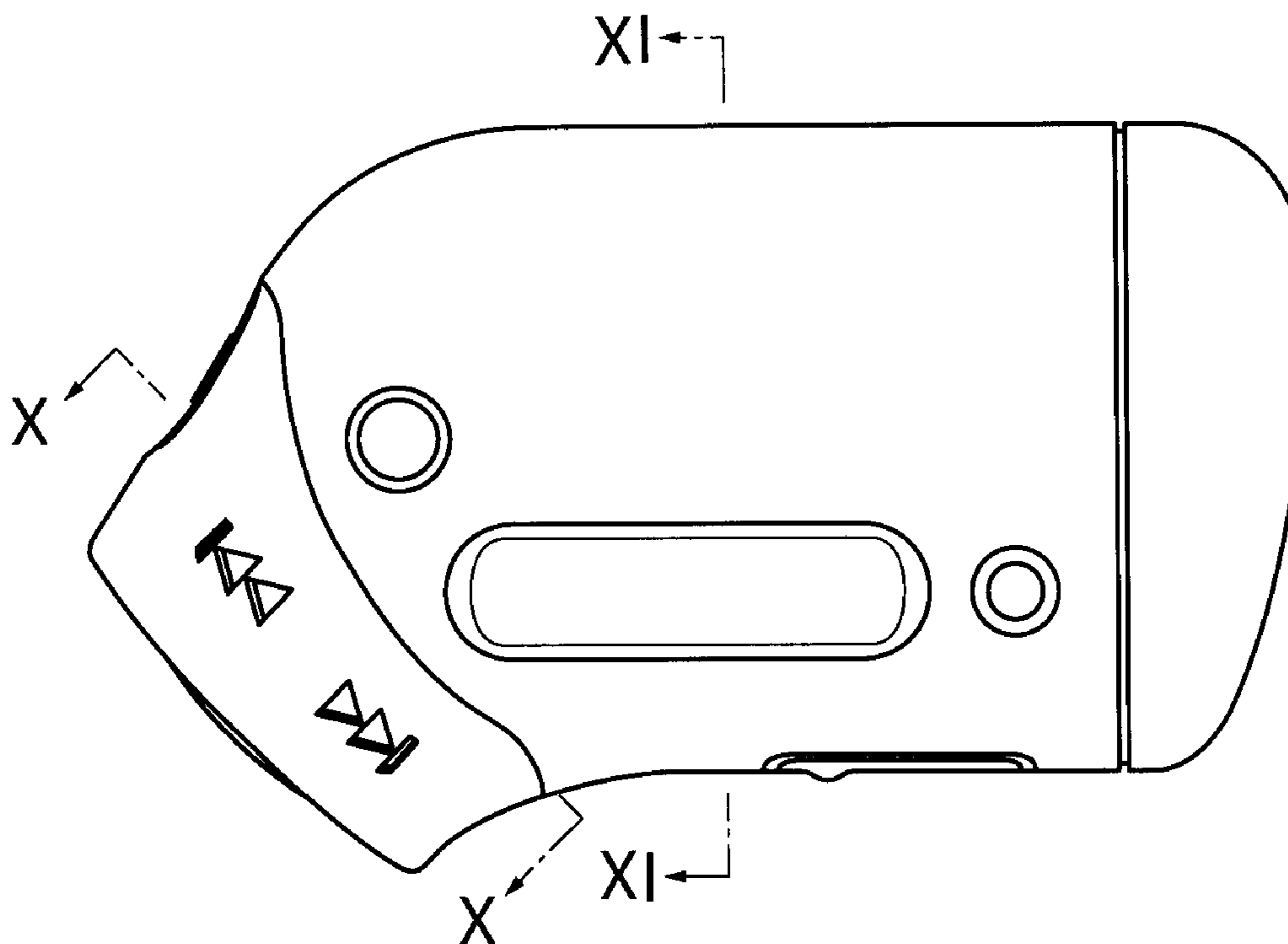


FIG. 1

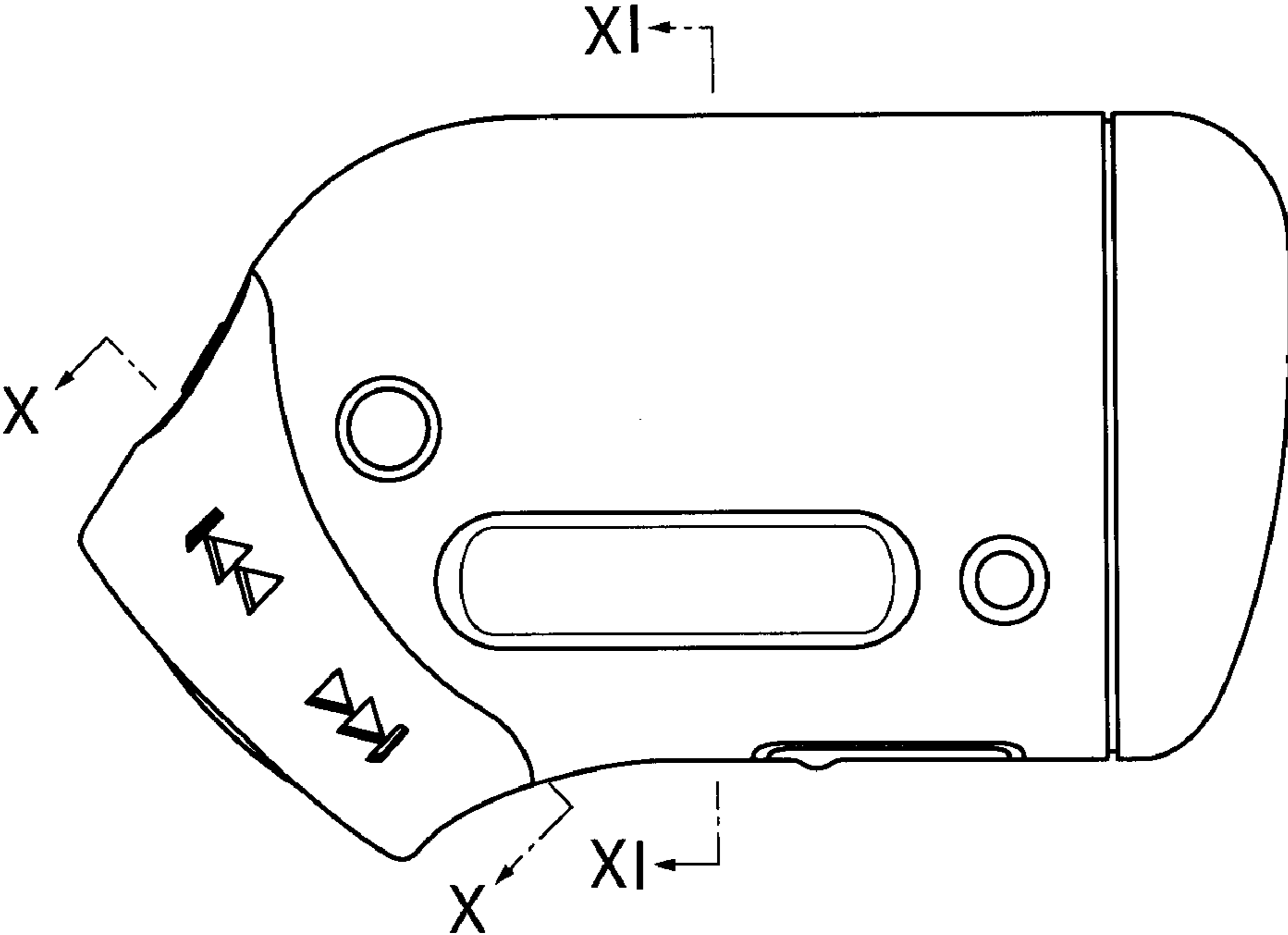


FIG. 2

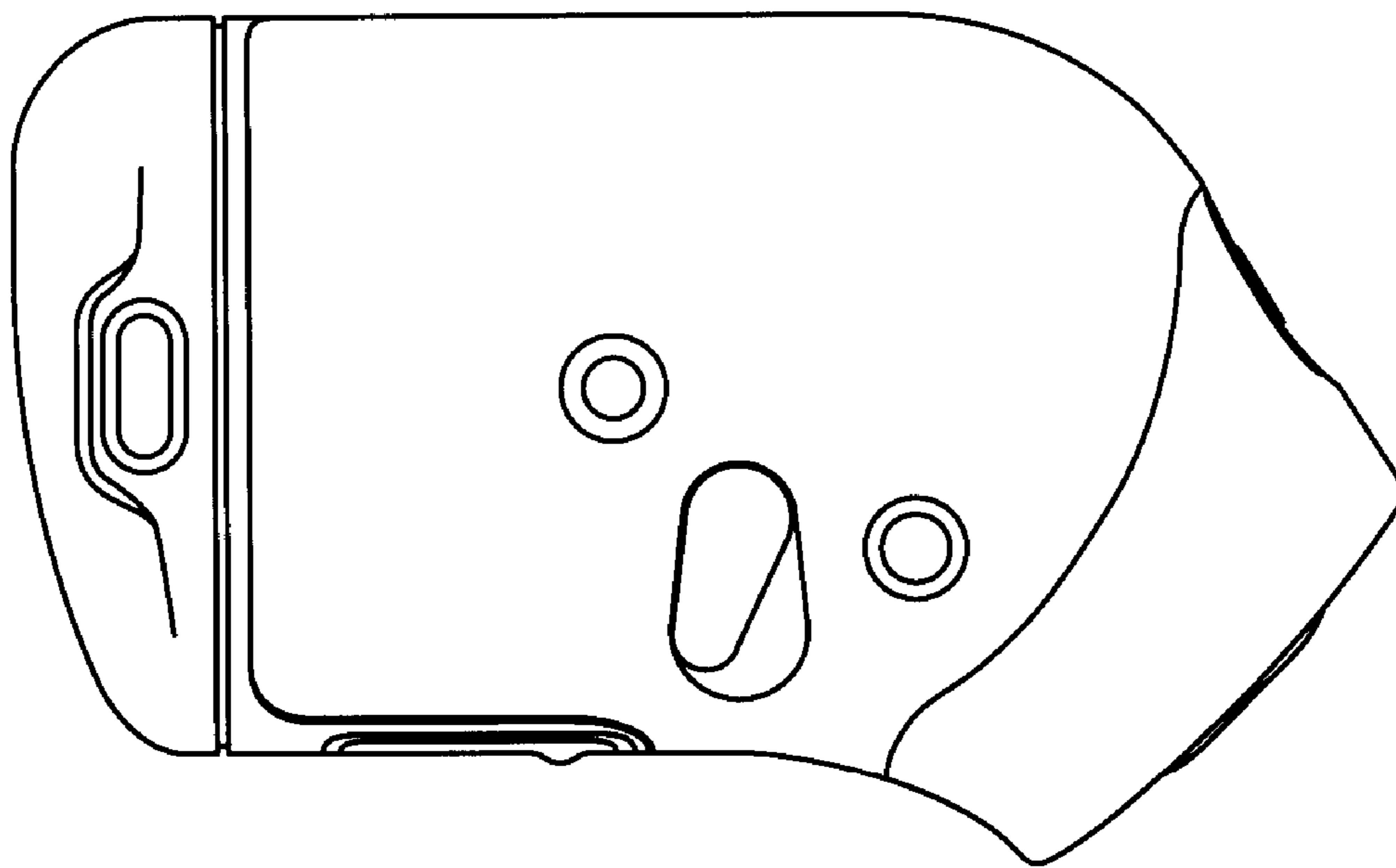


FIG. 3

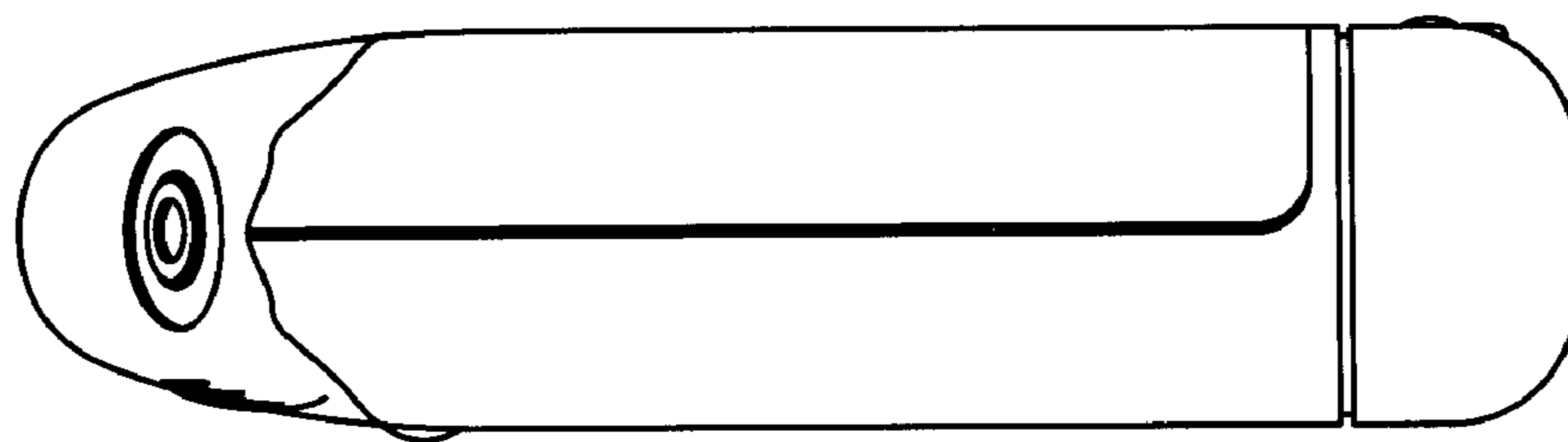


FIG. 4

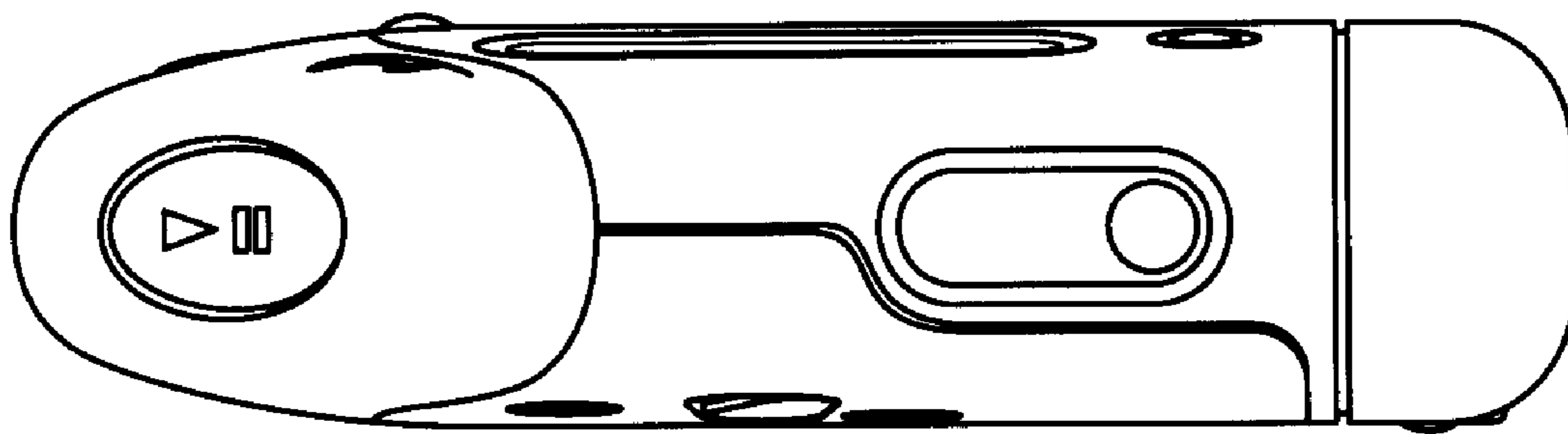


FIG. 5

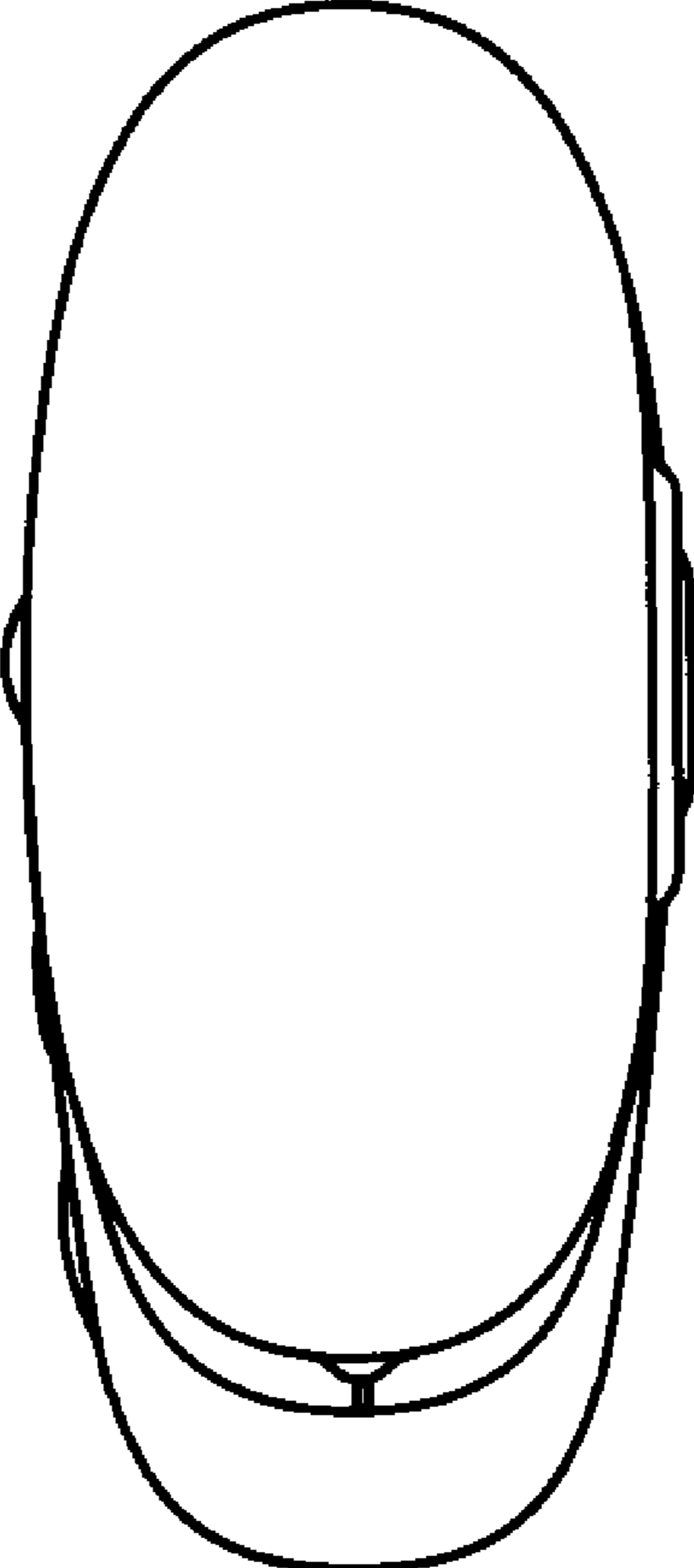


FIG. 6

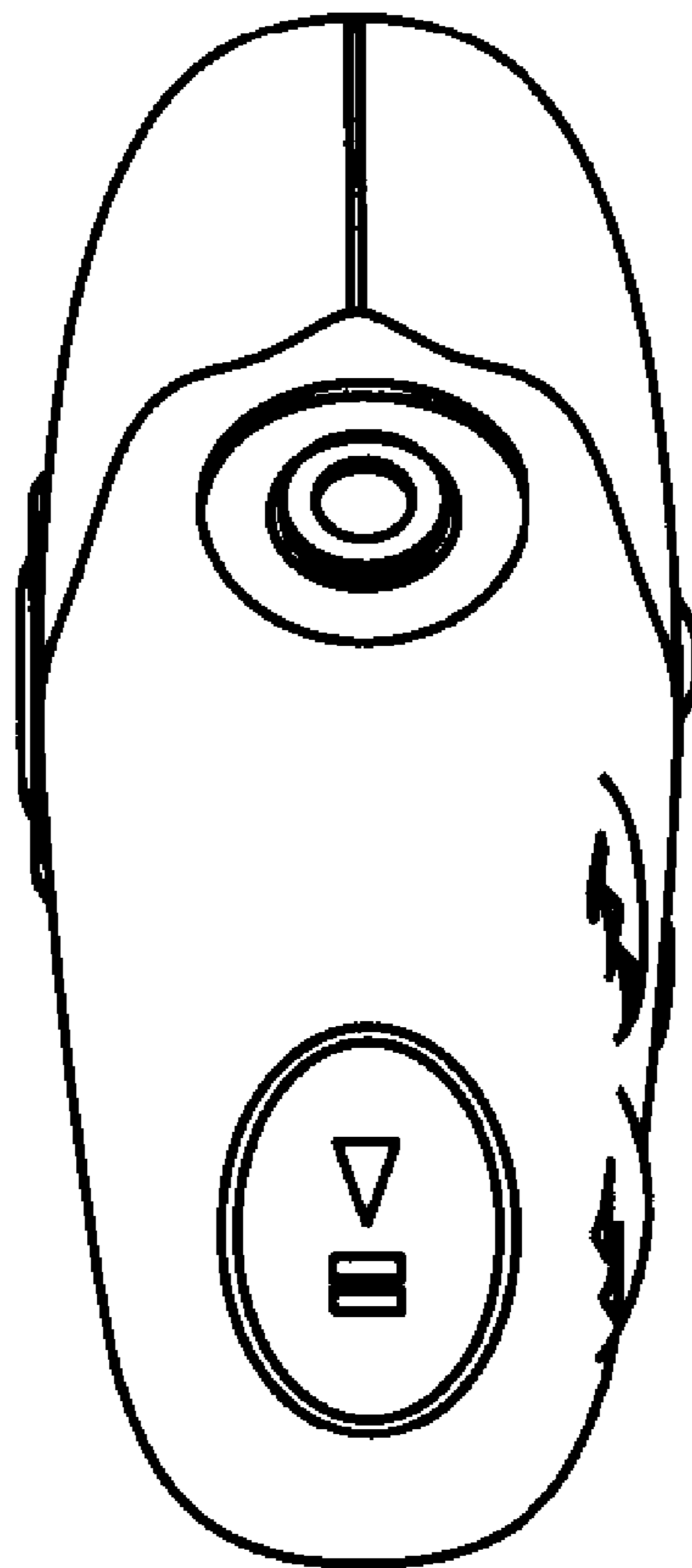
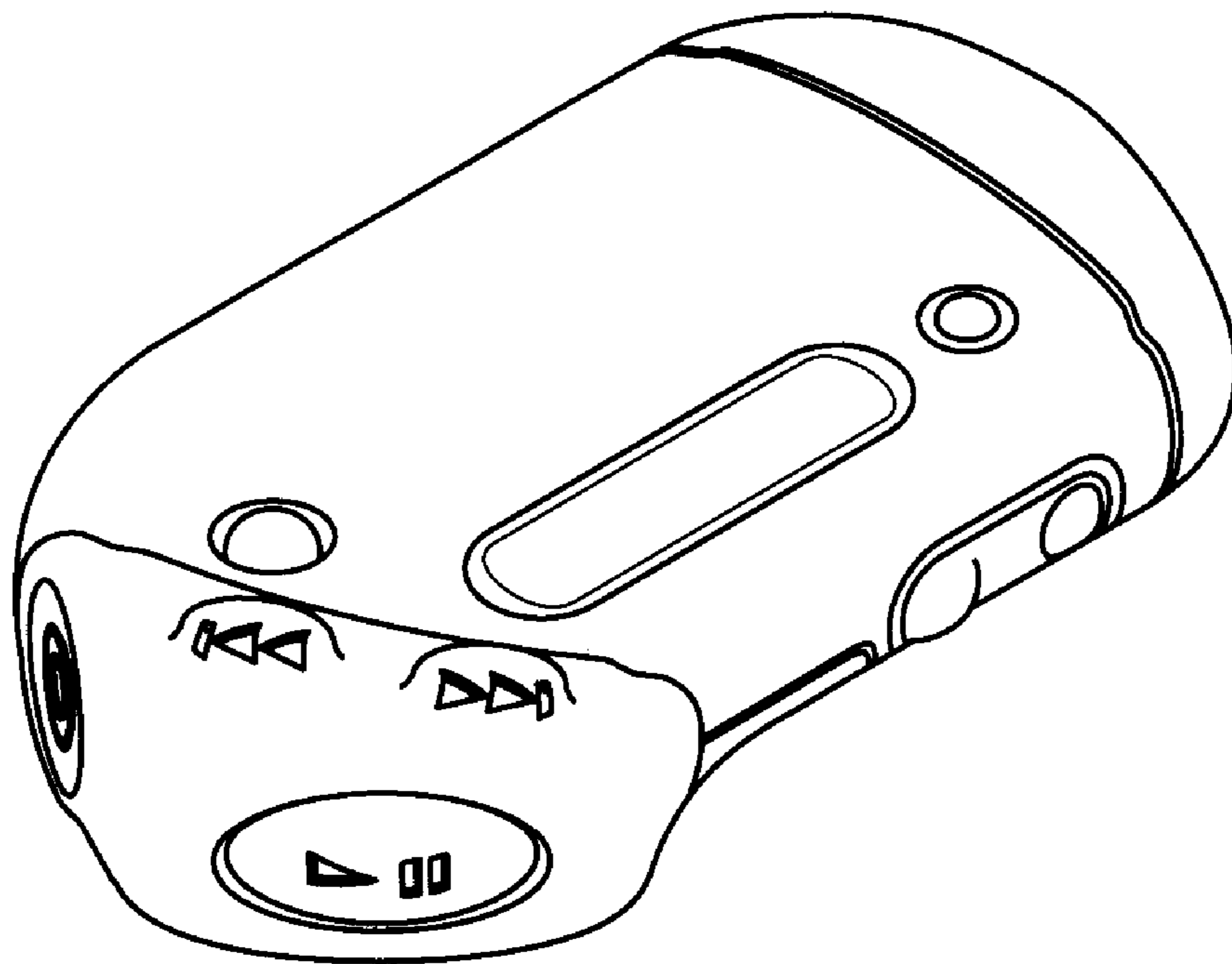


FIG. 7



UNITED STATES PATENT AND TRADEMARK OFFICE
CERTIFICATE OF CORRECTION

PATENT NO. : Des. 513,266 S
APPLICATION NO. : 29/211635
DATED : December 27, 2005
INVENTOR(S) : Naoto Shimizu

Page 1 of 3

It is certified that error appears in the above-identified patent and that said Letters Patent is hereby corrected as shown below:

The title page should be deleted to appear as per attached title page.

The sheet of drawing consisting of figure 1 should be deleted to appear as per attached sheet.

Signed and Sealed this

First Day of July, 2008

A handwritten signature in black ink that reads "Jon W. Dudas". The signature is written in a cursive style with a large, stylized initial "J".

JON W. DUDAS
Director of the United States Patent and Trademark Office

(12) **United States Design Patent** (10) **Patent No.:** **US D513,266 S**
Shimizu (45) **Date of Patent:** **** Dec. 27, 2005**

(54) **DIGITAL AUDIO PLAYER**

(75) **Inventor:** Naoto Shimizu, Tokyo (JP)

(73) **Assignee:** Sony Corporation, Tokyo (JP)

(**) **Term:** 14 Years

(21) **Appl. No.:** 29/211,635

(22) **Filed:** Aug. 19, 2004

(51) **LOC (6) Cl.** 14-03

(52) **U.S. Cl.** D14/496

(58) **Field of Search** D14/496, 400,
 D14/401, 435, 474, 453, 217, 160, 168,
 188; D21/332, 333; 273/148 B; 463/43-47;
 369/2, 24, 25, 75.1, 75.2, 77.1, 77.2; 370/342-344;
 455/344, 347

(56) **References Cited**

U.S. PATENT DOCUMENTS

6,122,526 A * 9/2000 Pariski et al. 455/556.1
 6,227,966 B1 * 5/2001 Yokoi 463/1
 D450,713 S * 11/2001 Masamitsu et al. D14/496
 6,314,483 B1 * 11/2001 Goto et al. 710/107

D468,365 S * 1/2003 Bransky et al. D21/329,
 6,529,714 B1 * 3/2003 Nakamura et al. 455/575.1
 D494,188 S * 8/2004 Huang D14/496
 D499,424 S * 12/2004 Bahroocha D14/496
 D503,409 S * 3/2005 Wong et al. D14/496
 D504,442 S * 4/2005 Kim D14/496

* cited by examiner

Primary Examiner—Prabhakar Deshmukh

(74) *Attorney, Agent, or Firm*—Rader, Fishman & Grauer PLLC

(57) **CLAIM**

The ornamental design for a digital audio player, as shown.

DESCRIPTION

FIG. 1 is a front elevational view of a digital audio player showing my new design;
 FIG. 2 is a rear elevational view thereof;
 FIG. 3 is a top plan view thereof;
 FIG. 4 is a bottom plan view thereof;
 FIG. 5 is a right side elevational view thereof;
 FIG. 6 is a left side elevational view thereof; and,
 FIG. 7 is a perspective view thereof.

1 Claim, 7 Drawing Sheets

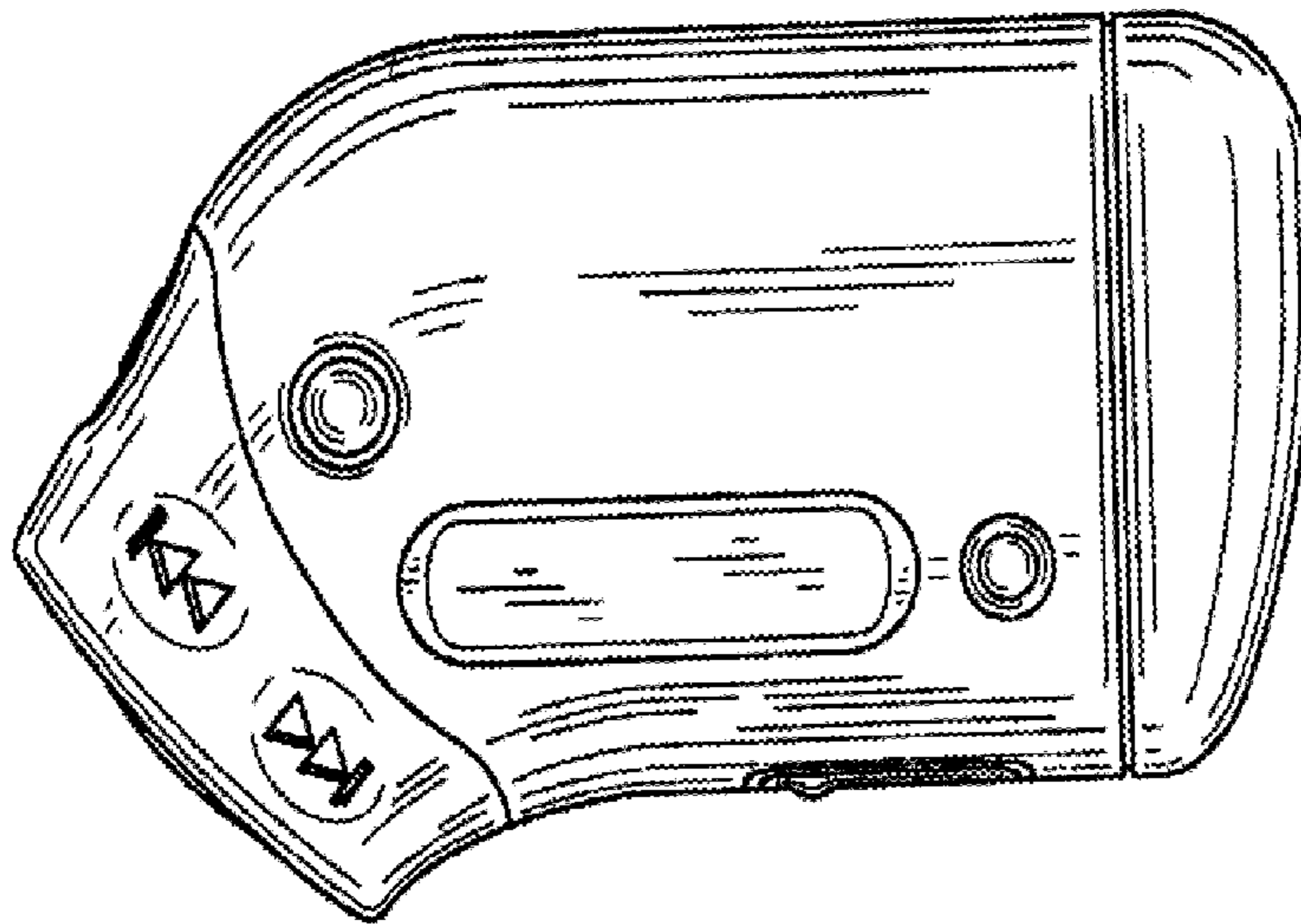


FIG. 1

