



US00D513252S

(12) **United States Design Patent** (10) **Patent No.:** **US D513,252 S**
Wang et al. (45) **Date of Patent:** **** Dec. 27, 2005**

(54) **ELECTRO-OPTICAL CONVERTER**

(75) Inventors: **Charles Xiaozhong Wang**, Sunnyvale, CA (US); **Robert Mosebar**, San Jose, CA (US); **Al Yuen**, Palo Alto, CA (US)

(73) Assignee: **Emcore Corporation**, Somerset, NJ (US)

(**) Term: **14 Years**

(21) Appl. No.: **29/208,957**

(22) Filed: **Jul. 8, 2004**

(51) **LOC (6) Cl.** **14-02**

(52) **U.S. Cl.** **D14/357**

(58) **Field of Search** D13/123, 133, D13/154, 147, 156, 110; D14/356-58; 250/227.11; 361/707, 728, 736, 740, 741, 752, 759, 799, 800, 801, 811, 816; 206/719; 257/433, 718, 719; 385/53, 55, 76, 88, 91, 92, 139; 398/22, 117, 139; 439/76.1, 79, 82, 101, 108, 160, 357, 362, 374, 377, 465, 541.5, 567, 577, 607-610, 680, 818, 906; 359/297

(56) **References Cited**

U.S. PATENT DOCUMENTS

| | | | |
|---------------|---------|------------------|---------|
| 4,678,264 A * | 7/1987 | Bowen et al. | 385/89 |
| 4,912,521 A * | 3/1990 | Almquist et al. | 398/117 |
| 4,993,803 A * | 2/1991 | Suverison et al. | 385/88 |
| 5,104,243 A * | 4/1992 | Harding | 385/84 |
| D327,879 S * | 7/1992 | Lou | D14/357 |
| D327,880 S * | 7/1992 | Lou | D14/357 |
| D328,591 S * | 8/1992 | Yokoi et al. | D14/357 |
| D330,006 S * | 10/1992 | Kamakura et al. | D13/123 |
| 5,162,000 A * | 11/1992 | Frantz | 439/607 |
| D331,395 S * | 12/1992 | Lou | D14/357 |
| 5,202,943 A * | 4/1993 | Carden et al. | 385/92 |
| 5,273,459 A * | 12/1993 | Davis | 439/607 |
| 5,280,191 A * | 1/1994 | Chang | 257/712 |
| D344,491 S * | 2/1994 | Nakamura | D13/147 |

| | | | |
|----------------|---------|-------------------|----------|
| 5,293,581 A * | 3/1994 | DiMarco | 385/76 |
| 5,329,604 A * | 7/1994 | Baldwin et al. | 385/92 |
| 5,345,524 A * | 9/1994 | Lebby et al. | 385/88 |
| 5,348,494 A * | 9/1994 | Falossi et al. | 439/362 |
| 5,411,401 A * | 5/1995 | Chiou | 439/76.1 |
| D382,857 S * | 8/1997 | Chen et al. | D13/147 |
| 5,700,164 A * | 12/1997 | Weidler et al. | 439/607 |
| 5,734,558 A * | 3/1998 | Poplawski et al. | 361/752 |
| 5,757,997 A * | 5/1998 | Birrell et al. | 385/60 |
| D396,210 S * | 7/1998 | Shiga et al. | D13/123 |
| 5,941,725 A * | 8/1999 | Brennan et al. | 439/357 |
| 5,953,473 A * | 9/1999 | Shimotsu et al. | 385/56 |
| 6,178,096 B1 * | 1/2001 | Flickinger et al. | 361/816 |
| 6,206,730 B1 * | 3/2001 | Avery et al. | 439/609 |
| 6,241,534 B1 * | 6/2001 | Neer et al. | 439/76.1 |
| D446,501 S * | 8/2001 | Donnell et al. | D13/133 |
| D446,769 S * | 8/2001 | Stockhaus et al. | D13/133 |
| 6,483,711 B1 * | 11/2002 | Huang | 361/736 |
| D467,544 S * | 12/2002 | Hwang | D13/123 |
| 6,508,595 B1 * | 1/2003 | Chan et al. | 385/92 |
| 6,547,452 B1 * | 4/2003 | Chan et al. | 385/88 |
| 6,565,366 B1 * | 5/2003 | Wu | 439/76.1 |
| 6,583,902 B1 * | 6/2003 | Yuen | 398/135 |

* cited by examiner

Primary Examiner—Alan P. Douglas
Assistant Examiner—Susan Moon Lee

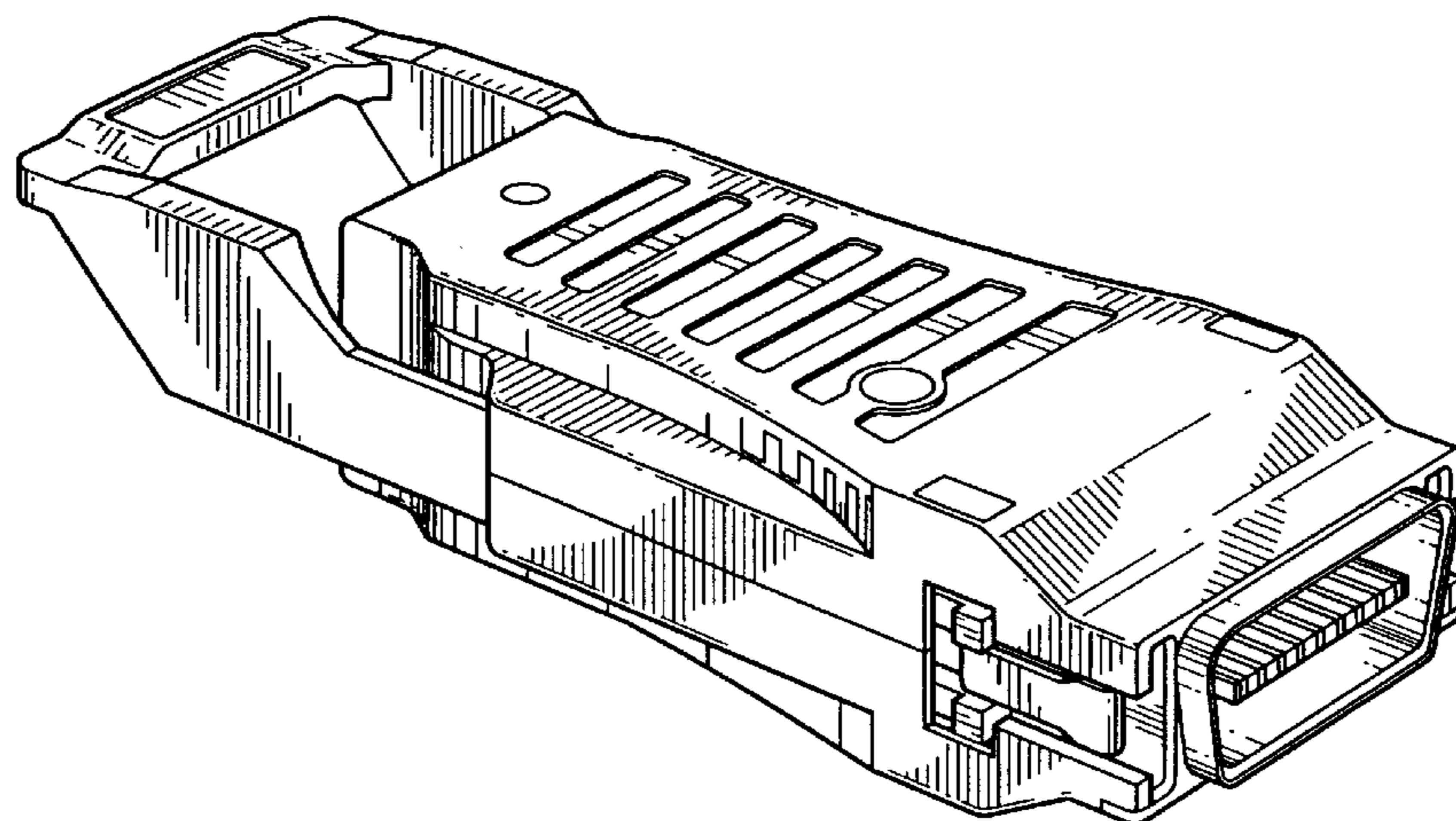
(57) **CLAIM**

The ornamental design for an electro-optical converter, as shown.

DESCRIPTION

FIG. 1 is a perspective view of an electro-optical converter showing our new design; FIG. 2 is a front elevational view thereof; FIG. 3 is a rear elevational view thereof; FIG. 4 is a left side elevational view thereof; FIG. 5 is a right side elevational view thereof; FIG. 6 is a top plan view thereof; and, FIG. 7 is a bottom plan view thereof.

1 Claim, 4 Drawing Sheets



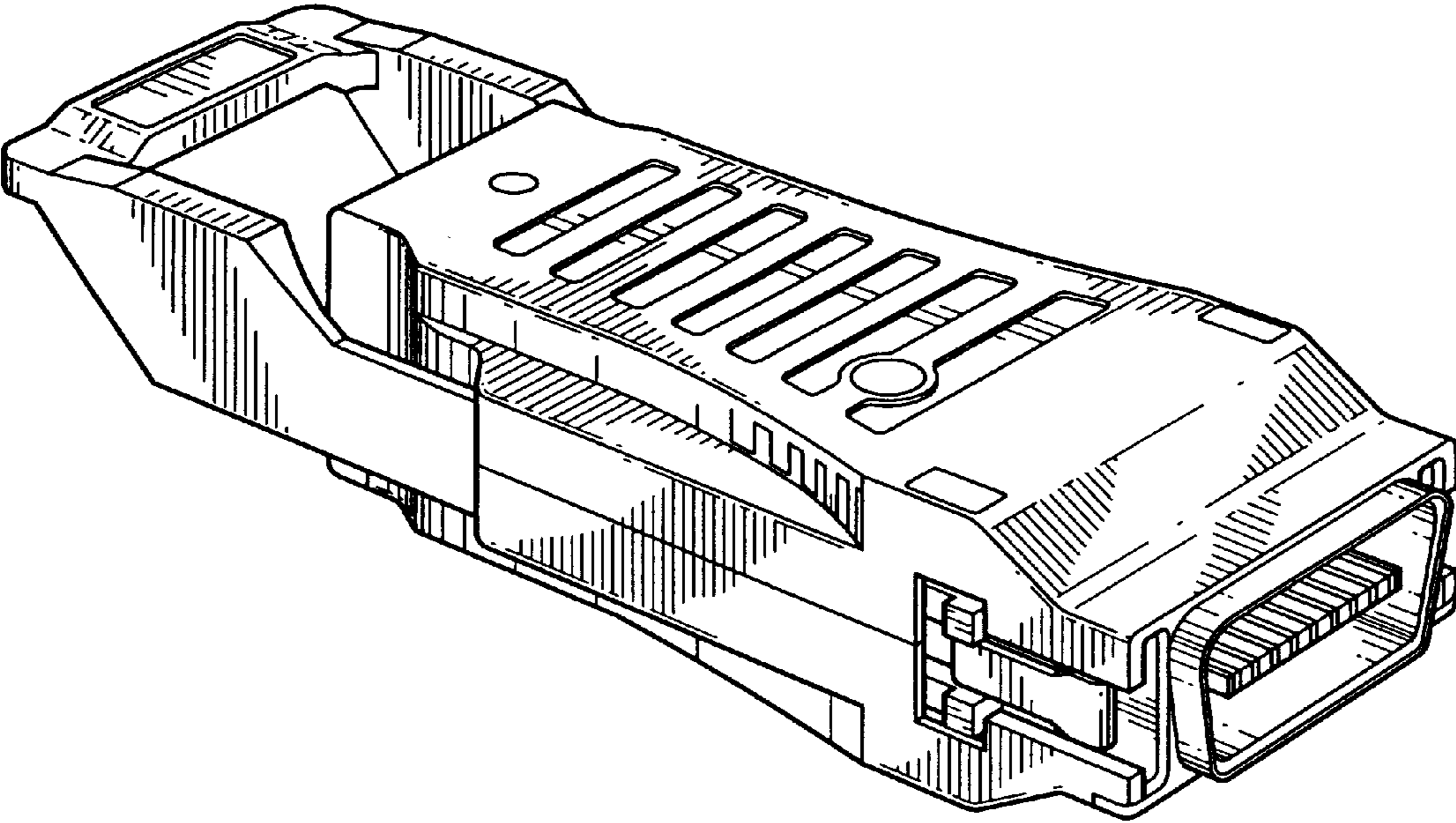


FIG. 1

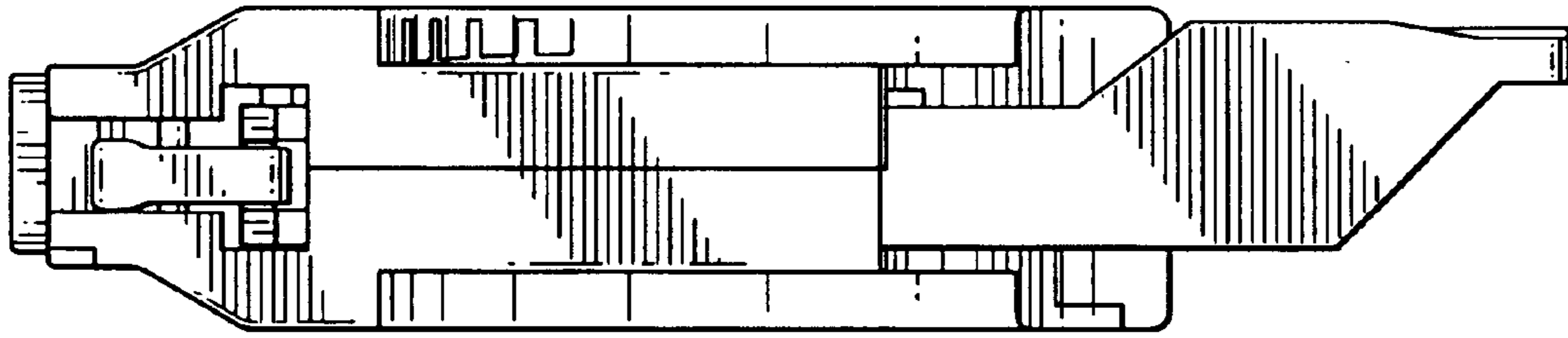


FIG. 2

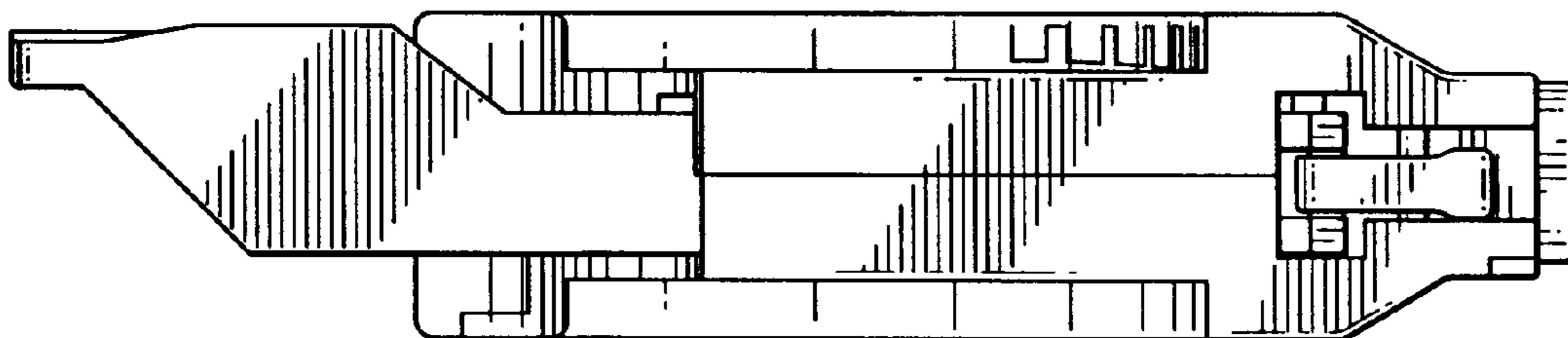


FIG. 3

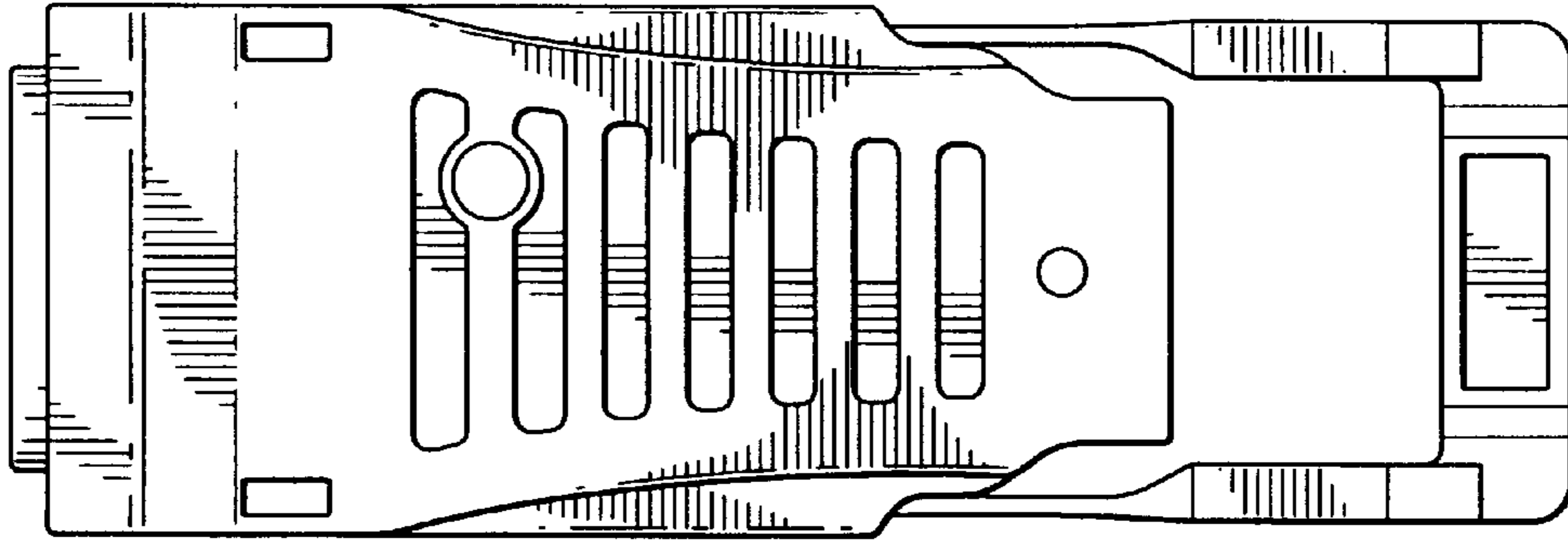


FIG. 4

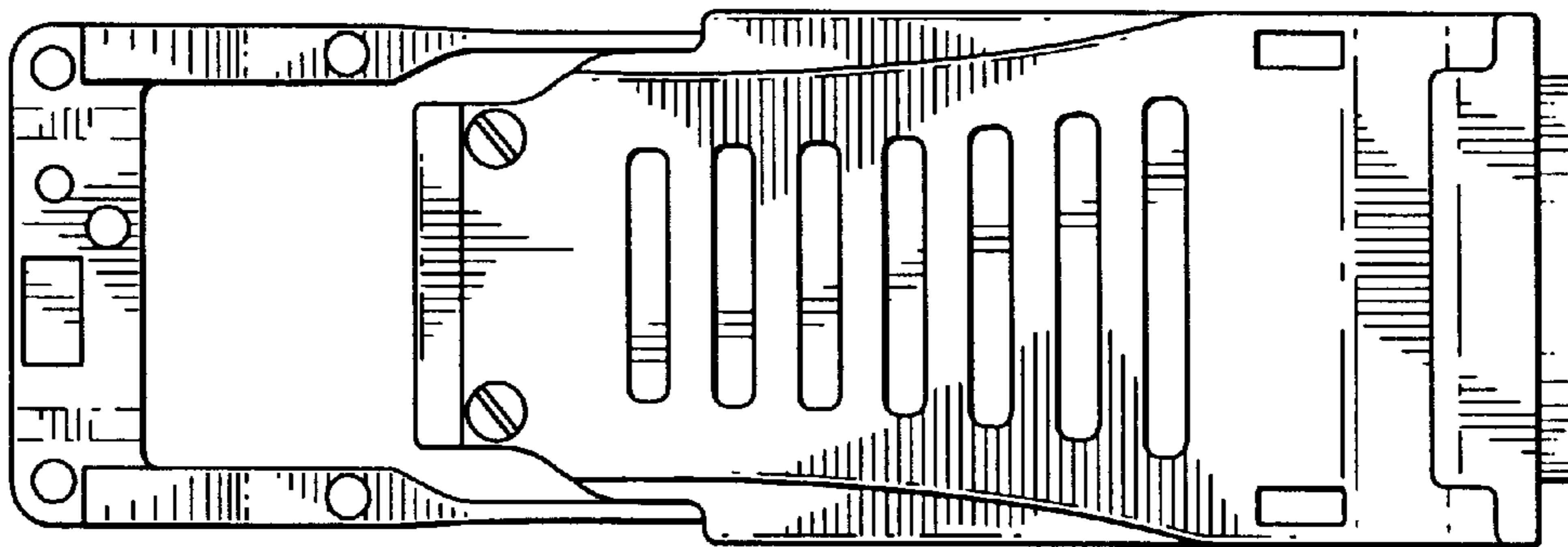


FIG. 5

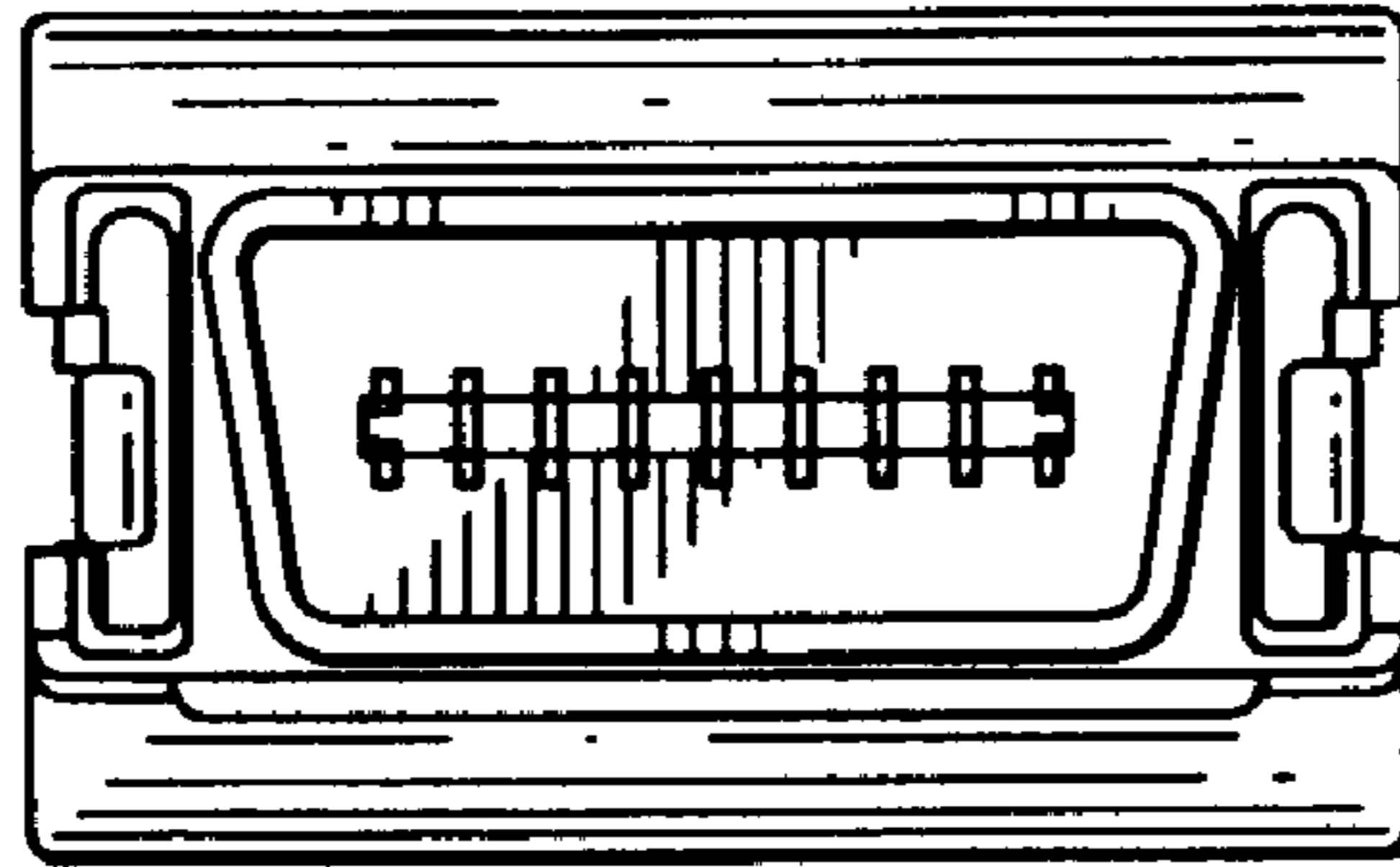


FIG. 6

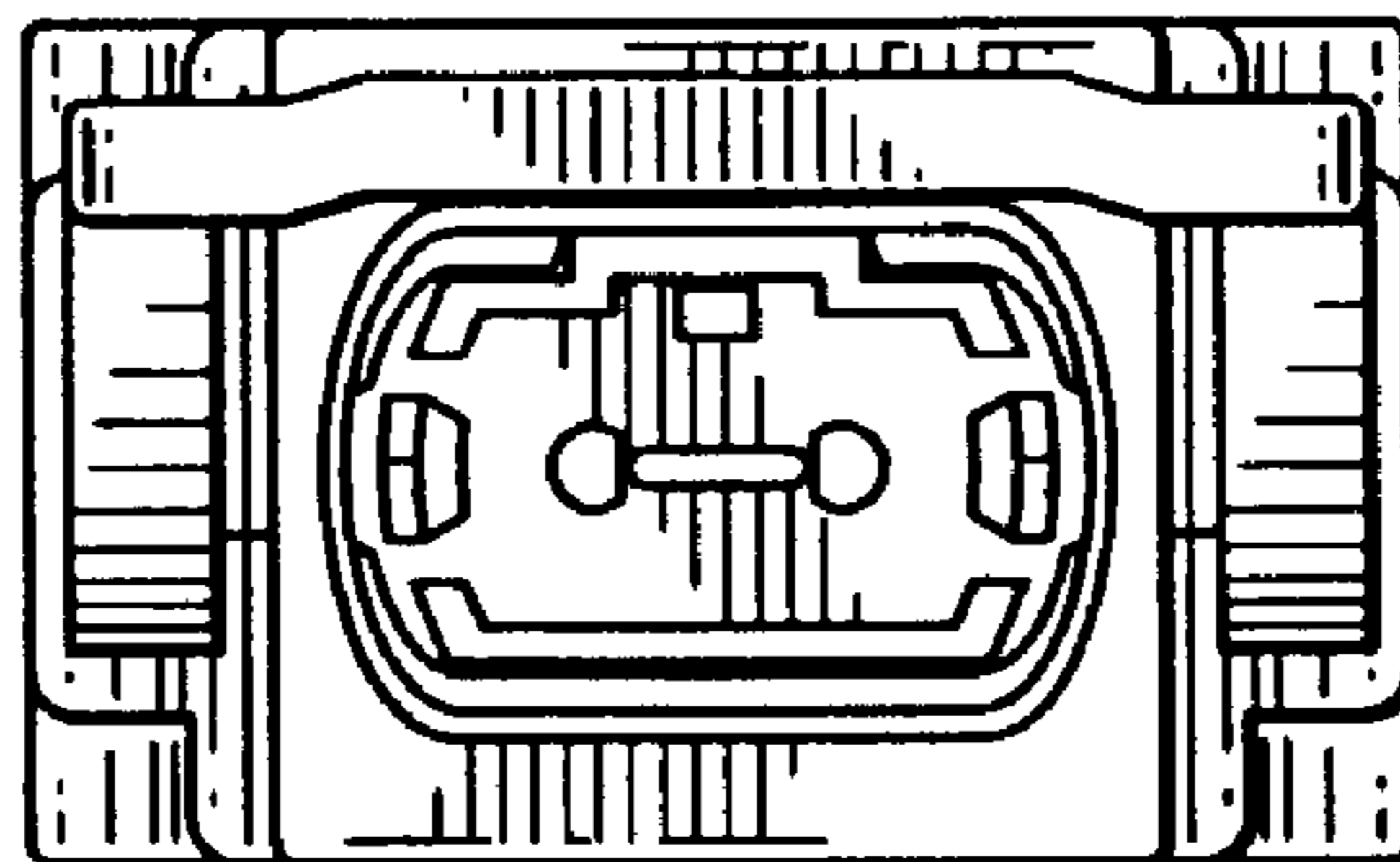


FIG. 7