



US00D513249S

(12) **United States Design Patent** (10) **Patent No.:** **US D513,249 S**
Hirakawa et al. (45) **Date of Patent:** **** Dec. 27, 2005**

(54) **HEADPHONE**

D466,100 S 11/2002 Obata

(75) Inventors: **Maki Hirakawa**, Tokyo (JP); **Michio Deguchi**, Tokyo (JP); **Kanae Fukamatsu**, Tokyo (JP)

* cited by examiner

Primary Examiner—Paula A. Greene
(74) *Attorney, Agent, or Firm*—Rader, Fishman & Grauer PLLC

(73) Assignee: **Sony Computer Entertainment Inc.**, Tokyo (JP)

(57) **CLAIM**

(**) Term: **14 Years**

The ornamental design for a headphone, as shown and described.

(21) Appl. No.: **29/216,857**

DESCRIPTION

(22) Filed: **Nov. 10, 2004**

FIG. 1 is a front elevational view of a headphone showing our new design, wherein lines VI—VI and VI'—VI' are shown;

(30) **Foreign Application Priority Data**

May 10, 2004 (JP) D2004-013704

FIG. 2 is a rear elevational view thereof;

(51) **LOC (6) Cl.** **14-01**

FIG. 3 is a left side elevational view thereof;

(52) **U.S. Cl.** **D14/223**

FIG. 4 is a top plan view thereof;

(58) **Field of Search** D14/167, 192, D14/205, 206, 218, 223, 299; D3/327, 387, 290; D2/600, 605, 892; 24/301, 265 R; 224/164; 381/151, 301, 309, 370, 385; 455/90.3

FIG. 5 is a bottom plan view thereof;

FIG. 6 is a partially enlarged view thereof, taken between the lines VII—VII and VII'—VII' shown in FIG. 1;

FIG. 7 is a perspective view thereof;

(56) **References Cited**

U.S. PATENT DOCUMENTS

4,070,553 A * 1/1978 Hass 381/301
5,325,568 A * 7/1994 Bruhm 24/301
D462,523 S * 9/2002 Kalbach D3/327

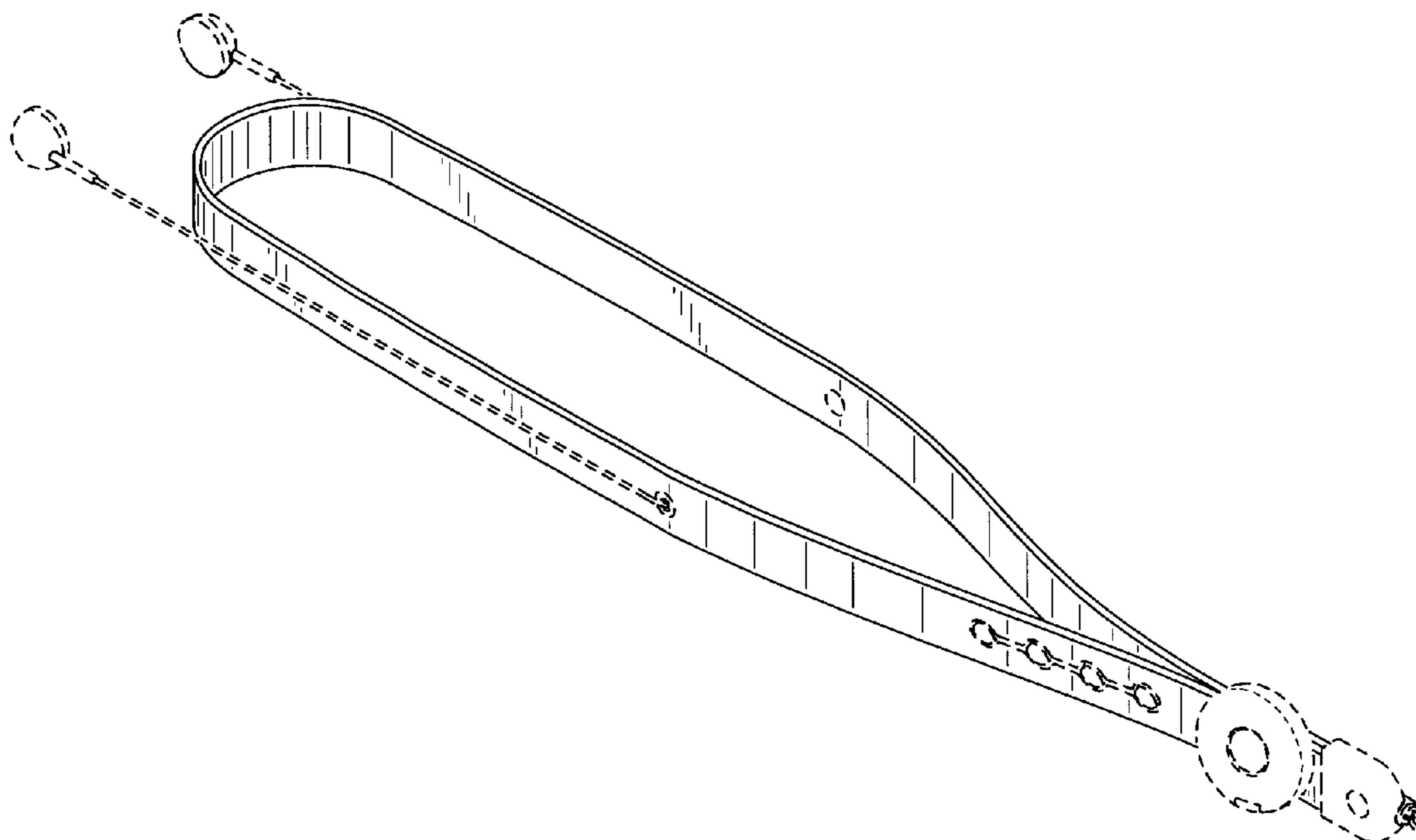
FIG. 8 is a reference perspective view thereof, showing a using condition; and

FIG. 9 is a reference perspective view thereof, showing another using condition; and,

FIG. 10 is a reference right side elevational view thereof.

The broken lines showing of the environment are for illustrative purposes only and form no part of the claimed design.

1 Claim, 6 Drawing Sheets



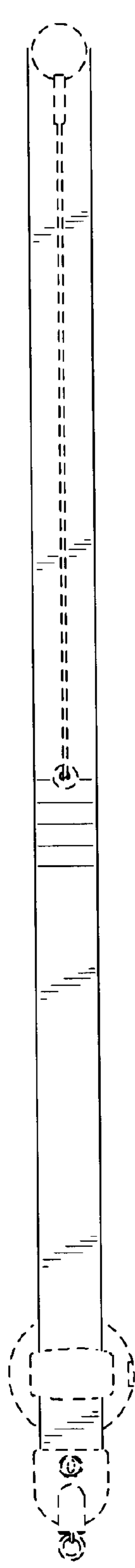
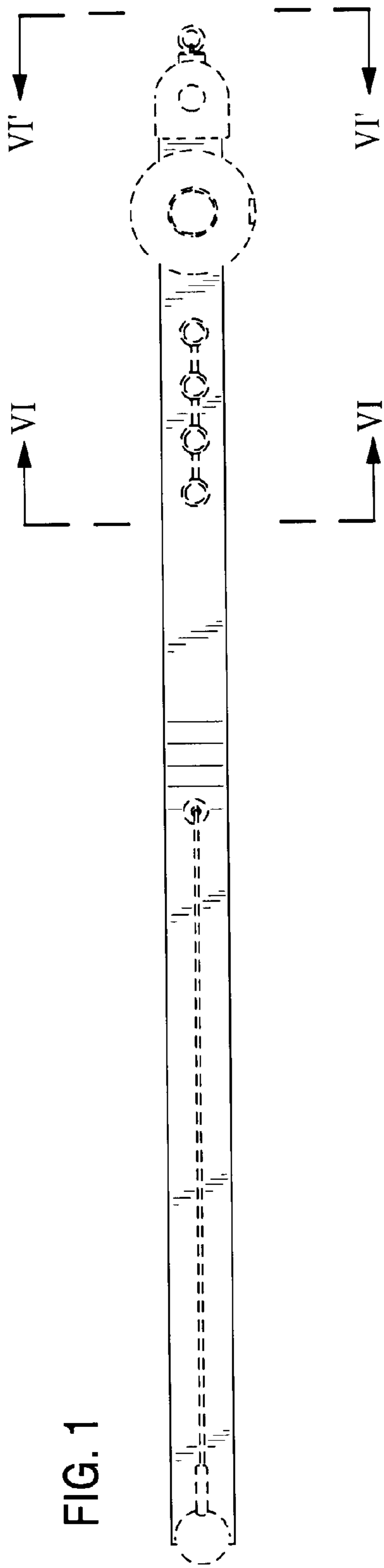


FIG. 4

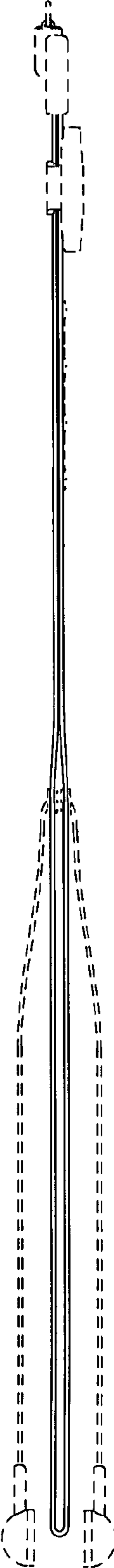


FIG. 5

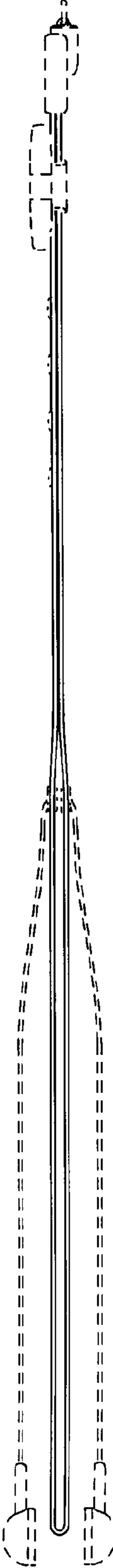
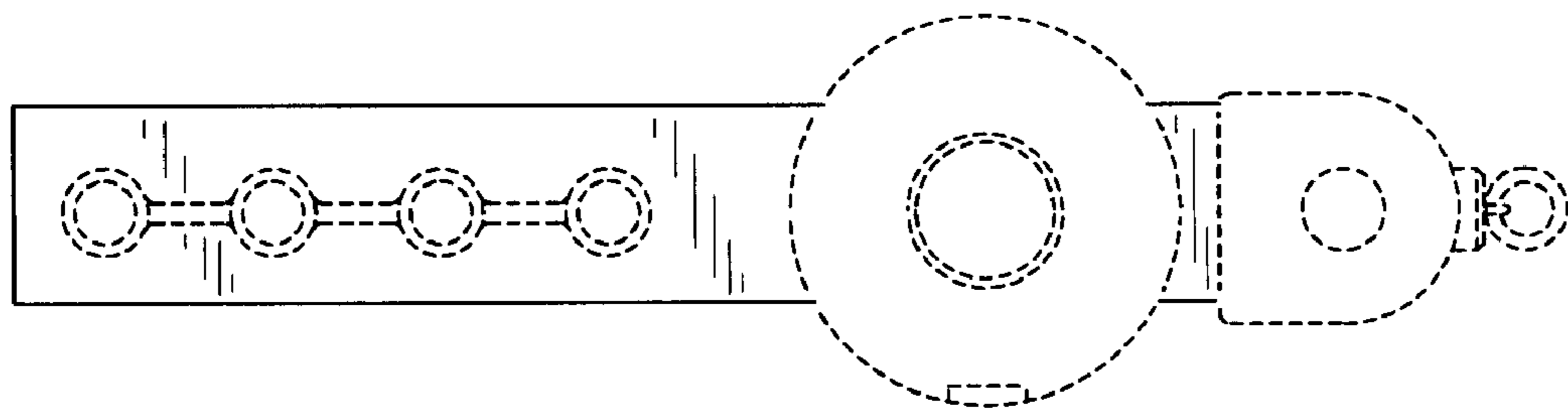


FIG. 6



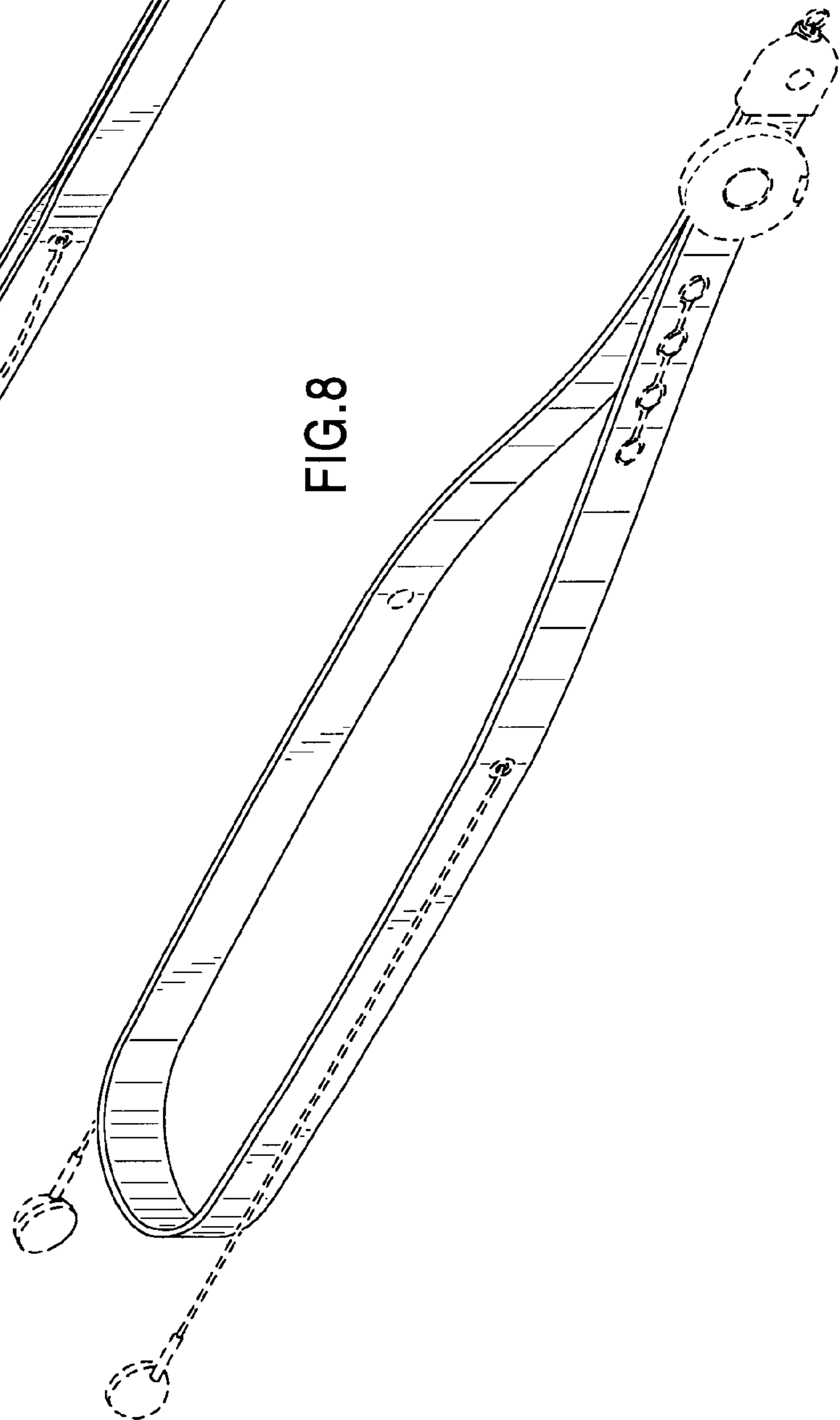
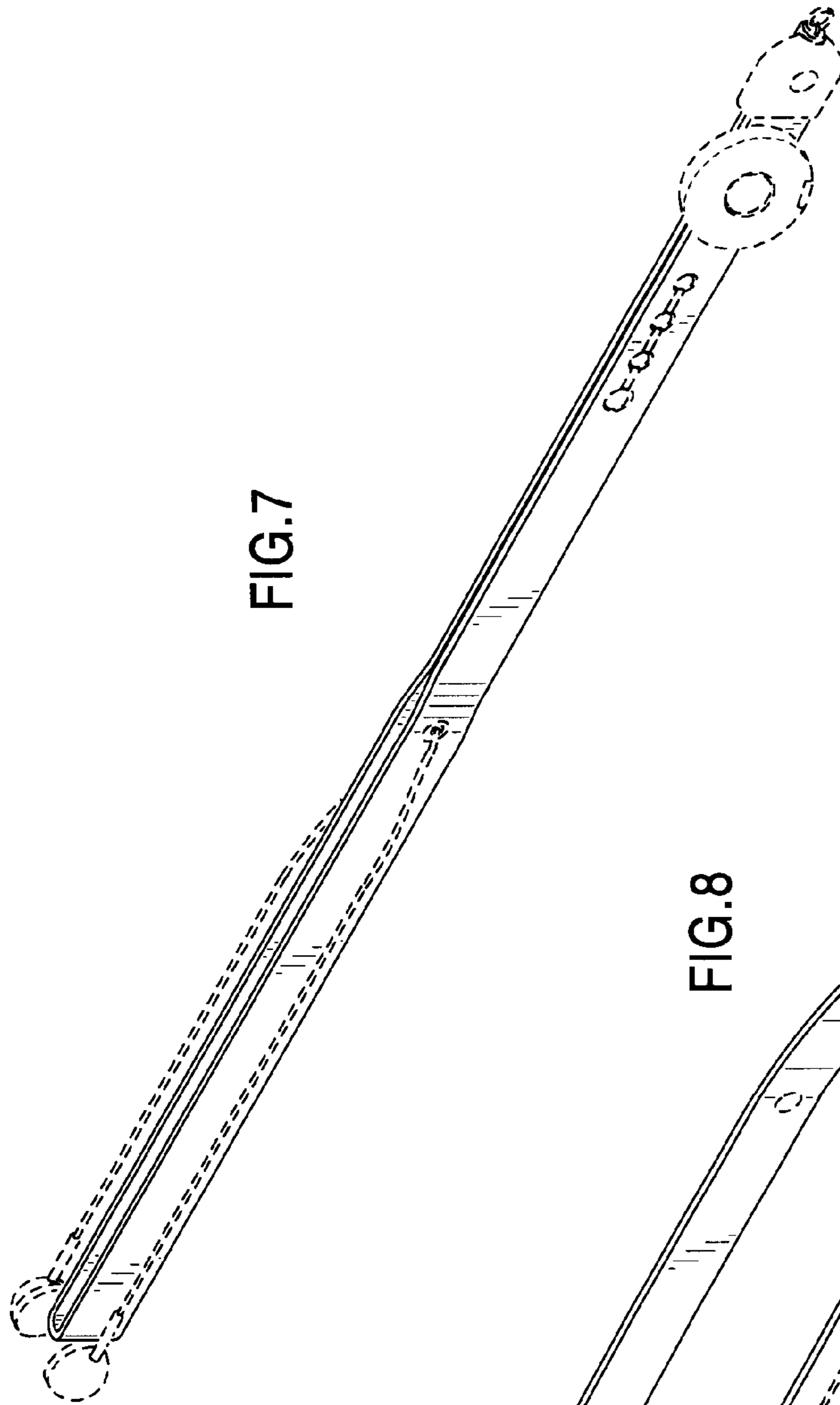


FIG. 9

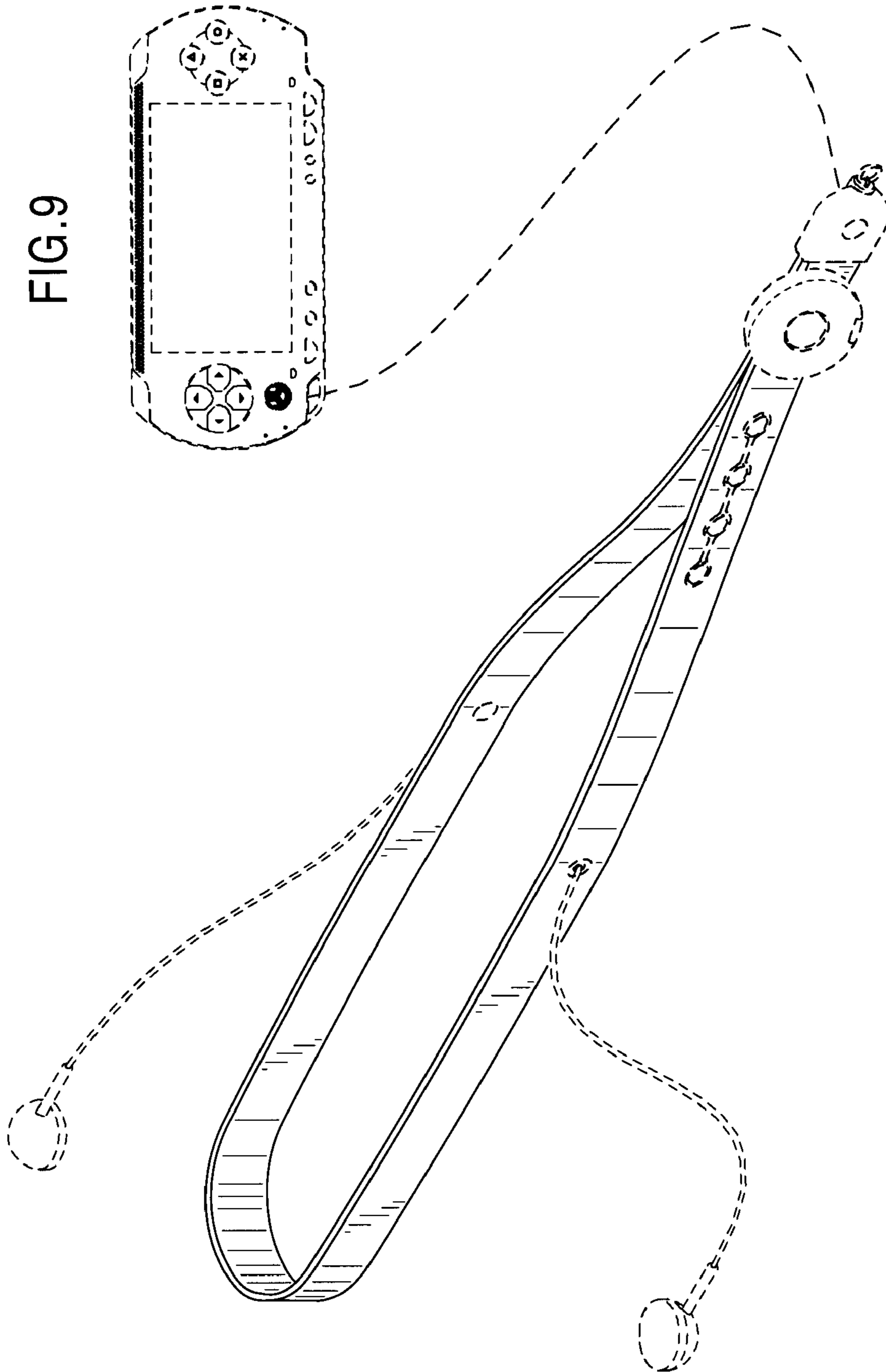


FIG. 10

