



US00D513246S

(12) **United States Design Patent**
Yim

(10) **Patent No.: US D513,246 S**

(45) **Date of Patent: ** Dec. 27, 2005**

(54) **RADIO WITH ALARM CLOCK AND FLASHLIGHT**

D321,263 S * 10/1991 Yuen D26/38
D376,663 S * 12/1996 Yuen D26/38
D388,785 S * 1/1998 Yuen D14/168
D410,099 S * 5/1999 Lam D26/38

(75) Inventor: **Joe Yim**, New Territories (CN)

* cited by examiner

(73) Assignee: **Ten Forward Limited**, Kwai Chung (HK)

Primary Examiner—Nanda Bondade
(74) *Attorney, Agent, or Firm*—Alix, Yale & Ristas, LLP

(**) Term: **14 Years**

(21) Appl. No.: **29/208,418**

(57) **CLAIM**

(22) Filed: **Jun. 28, 2004**

The ornamental design for a radio with alarm clock and flashlight, as shown and described.

(30) **Foreign Application Priority Data**

DESCRIPTION

Dec. 29, 2003 (HK) 0312269

(51) **LOC (6) Cl.** **14-01**

FIG. 1 is a front elevational view of a radio with alarm clock and flashlight showing my new design;

(52) **U.S. Cl.** **D14/168**

FIG. 2 is a top plan view thereof;

(58) **Field of Search** D10/1-2, 15; D14/168, D14/170-17, 193-198; D26/38-52; 312/7.1; 455/90, 100, 128, 344, 347, 350-351

FIG. 3 is a left side elevational view thereof;

FIG. 4 is a right side elevational view thereof;

FIG. 5 is a rear elevational view thereof; and,

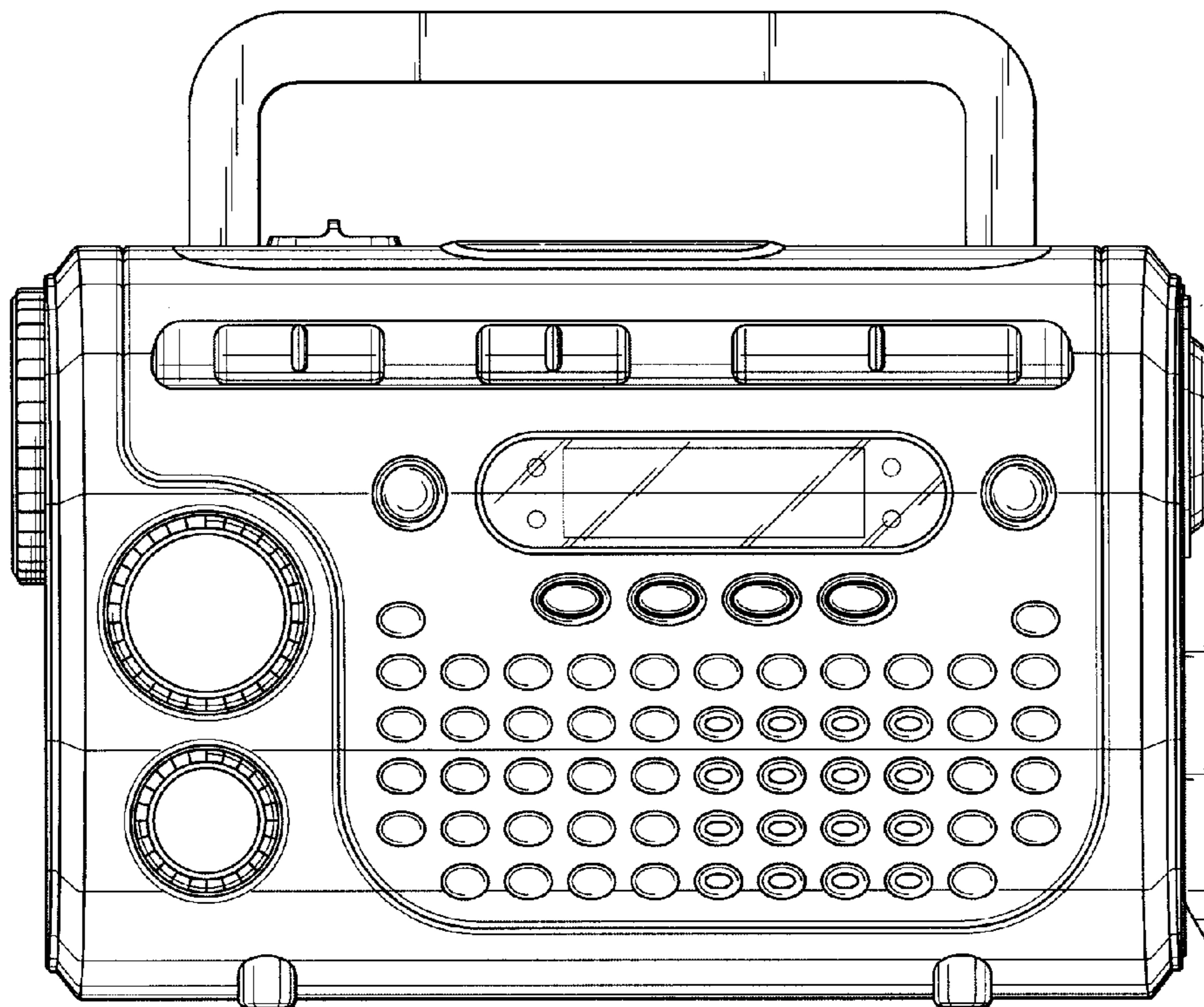
FIG. 6 is a bottom plan view thereof.

(56) **References Cited**

U.S. PATENT DOCUMENTS

D301,846 S * 6/1989 Beyer D14/163

1 Claim, 3 Drawing Sheets



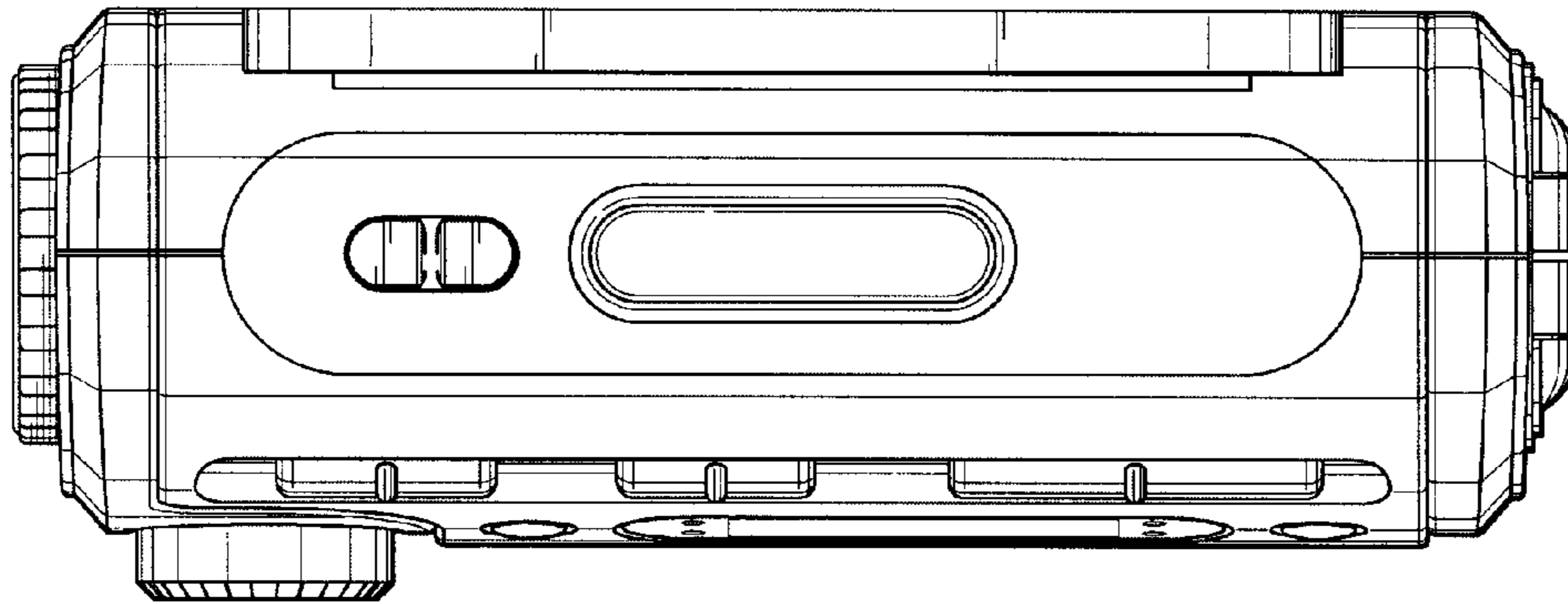


FIG. 2

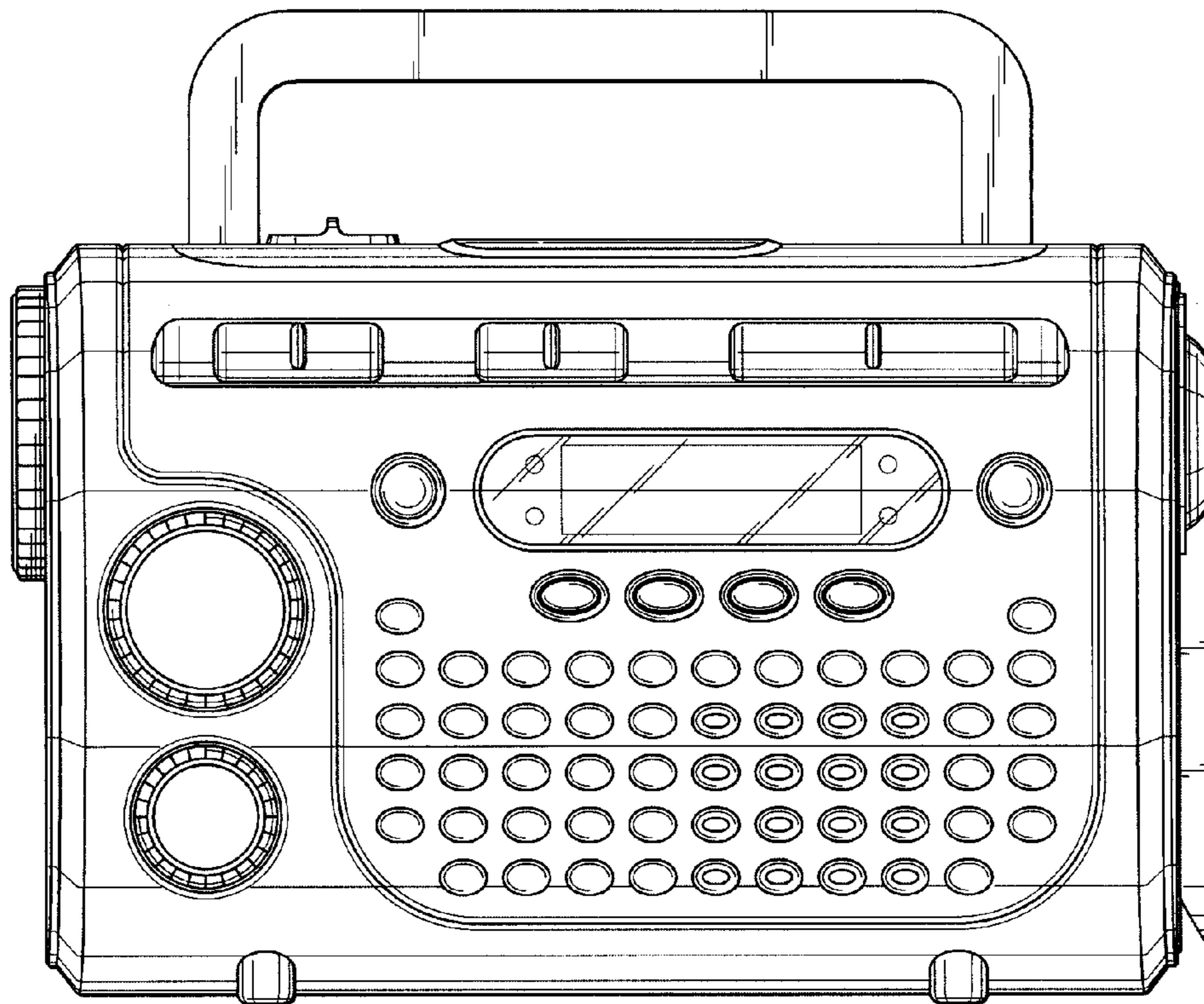


FIG. 1

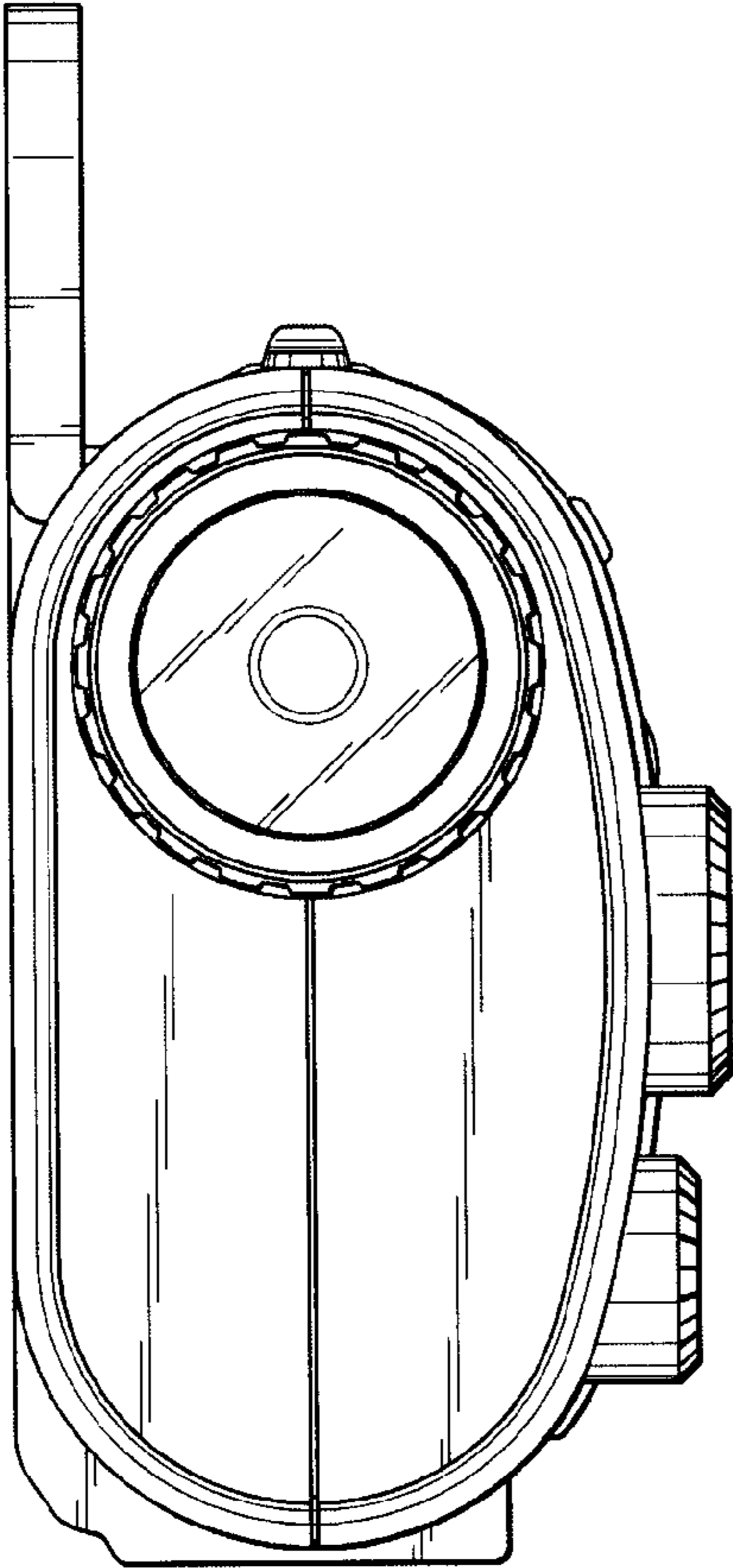


FIG. 3

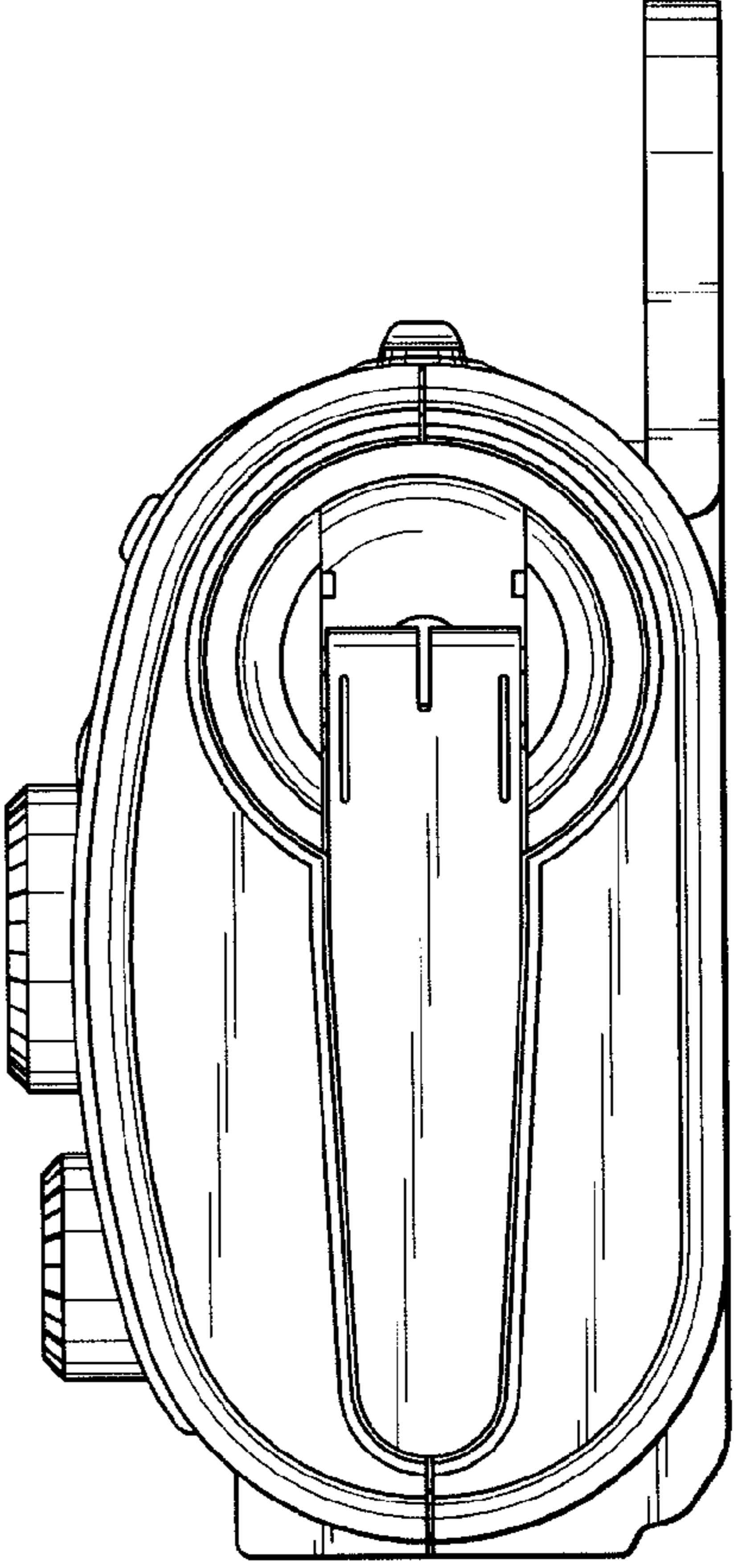


FIG. 4

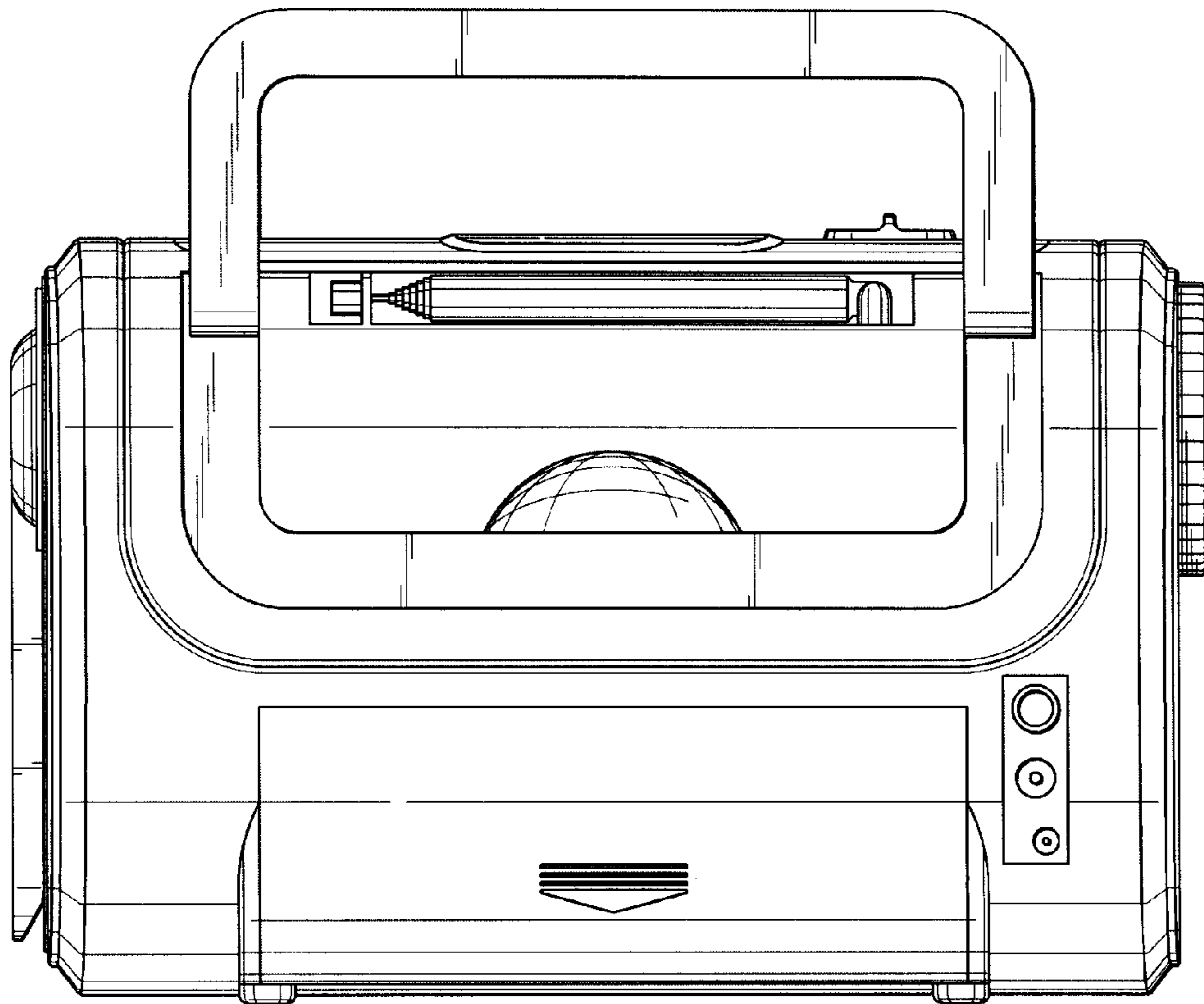


FIG. 5

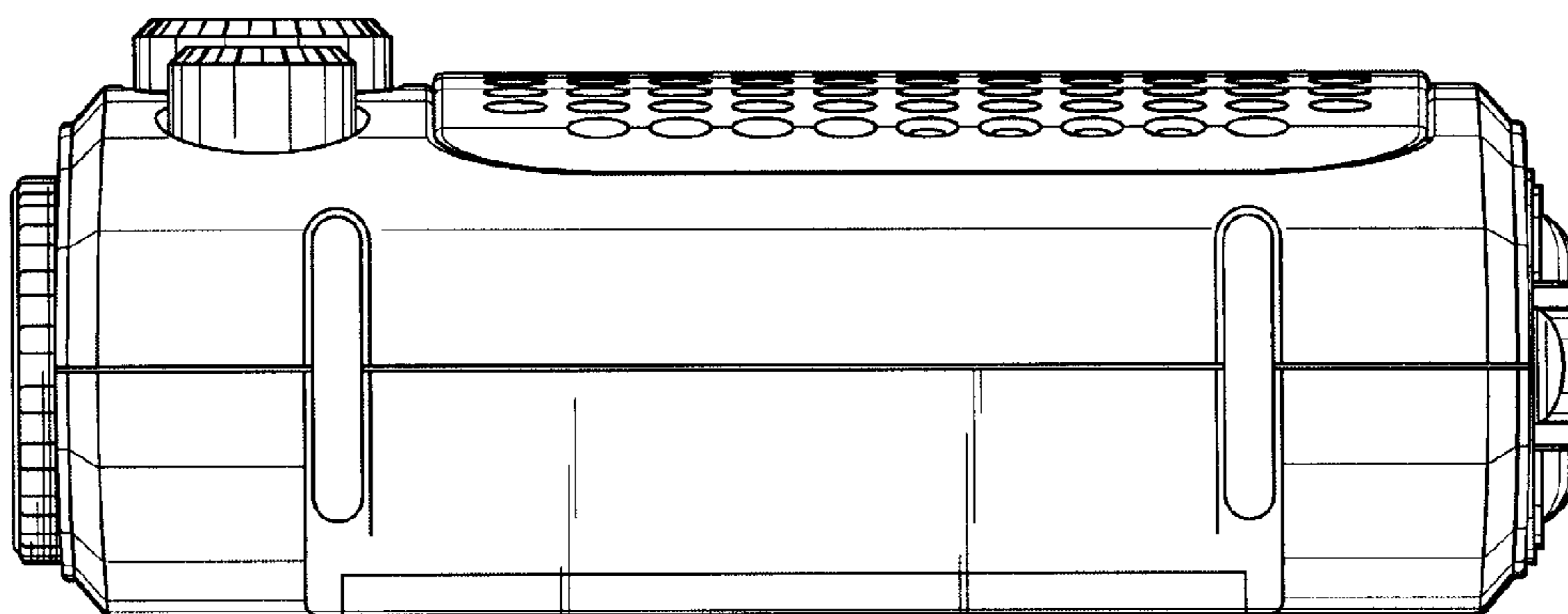


FIG. 6