



US00D513245S

(12) **United States Design Patent**
Suzuki

(10) **Patent No.:** **US D513,245 S**
(45) **Date of Patent:** **** Dec. 27, 2005**

(54) **DISC PLAYER**

(75) Inventor: **Akio Suzuki**, Tokyo (JP)
(73) Assignee: **Sony Corporation**, Tokyo (JP)
(**) Term: **14 Years**

(21) Appl. No.: **29/208,661**
(22) Filed: **Jul. 2, 2004**

(51) **LOC (6) Cl.** **14-01**
(52) **U.S. Cl.** **D14/157**
(58) **Field of Search** D14/135-136,
D14/156-157, 160-165, 167-168, 192-198,
188, 217, 257, 258, 445; 360/99.02, 99.07;
369/75.11, 75.21, 77.21, 77.11; 720/612,
619, 646, 647, 655; 455/344, 347-351

(56) **References Cited**

U.S. PATENT DOCUMENTS

5,177,730	A	*	1/1993	Utsugi	720/646
5,848,042	A	*	12/1998	Takahashi et al.	720/647
5,852,594	A	*	12/1998	Kaise et al.	720/647
D438,193	S		2/2001	Hakoda		
D444,136	S		6/2001	Sogabe		
D446,510	S	*	8/2001	Hori et al.	D14/157
D449,599	S		10/2001	Hakoda		
D450,678	S	*	11/2001	Mizokawa et al.	D14/157
D463,394	S		9/2002	Sogabe		
D475,691	S	*	6/2003	Nishii et al.	D14/157
D479,713	S		9/2003	Sadatsuki		

OTHER PUBLICATIONS

Web page "CDX-CA710X" <http://www.xplodsony.com/products/?CATEGORY=CD&MD=CDX-CA710X>, 1 sheet, Sony (Dec. 2003).
Web page "CDX-M630" <http://www.xplodsony.com/products/?CATEGORY=CD&D=CDX-M630>, 1 sheet, Sony (Dec. 2003).
Web page "CDX-M850MP" http://www.sony.jp/products/me/contents/caraidop/lineup/cdx_m850mp.html, 1 sheet, Sony (Jun. 2004).
Web page "MDX-C5400X" <http://www.ecat.sony.co.jp/car/caraudio/products/index.cfm?PD=537&KM=MDX-C5400X>, 1 sheet, Sony (Jan. 2004).

* cited by examiner

Primary Examiner—Nanda Bondade
(74) *Attorney, Agent, or Firm*—Rader, Fishman & Grauer PLLC

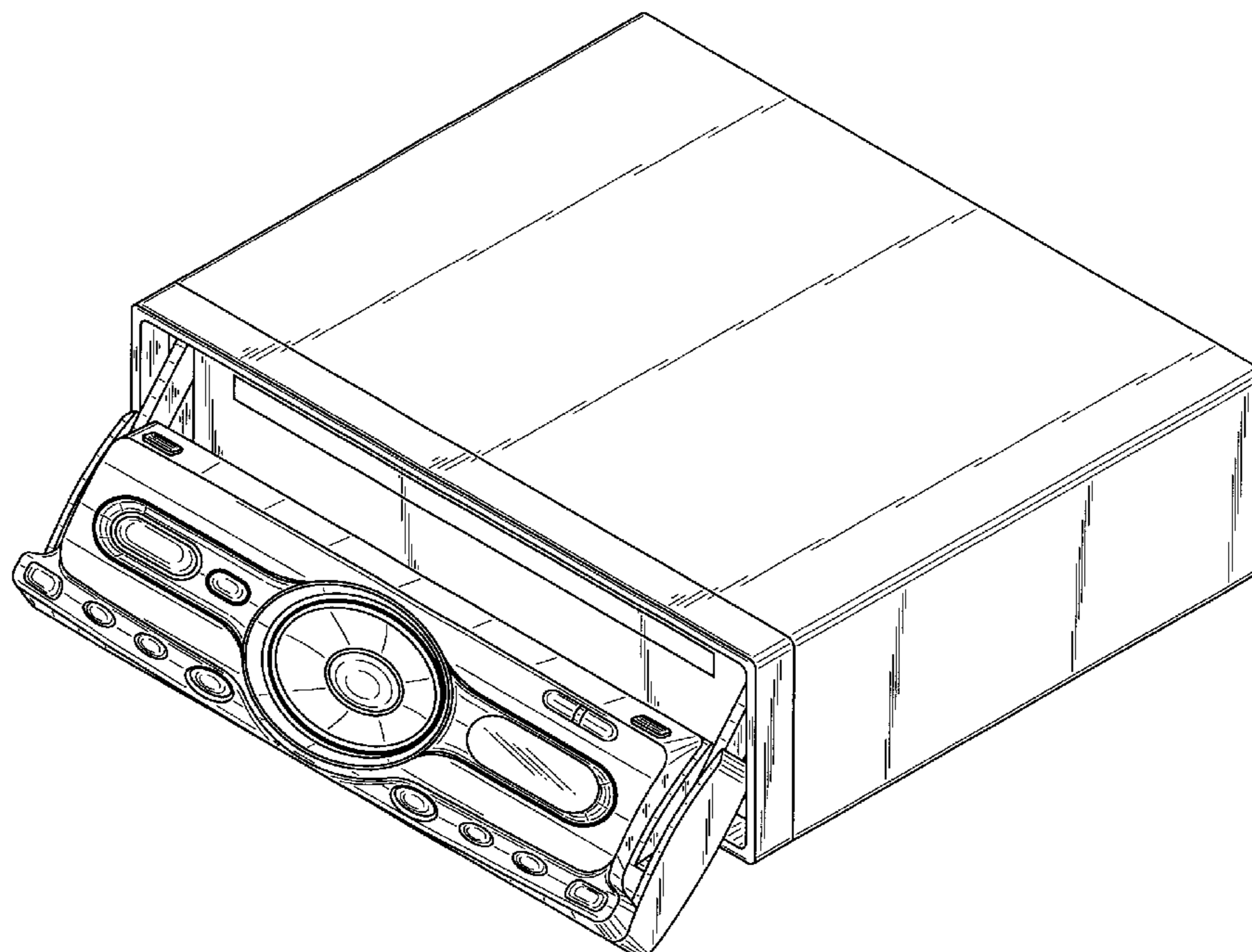
(57) **CLAIM**

The ornamental design for a disc player, as shown.

DESCRIPTION

FIG. 1 is a perspective view of a disc player showing my new design;
FIG. 2 is a front elevational view thereof;
FIG. 3 is a rear elevational view thereof;
FIG. 4 is a left side elevational view thereof;
FIG. 5 is a right side elevational view thereof;
FIG. 6 is a top plan view thereof; and,
FIG. 7 is a bottom plan view thereof.

1 Claim, 4 Drawing Sheets



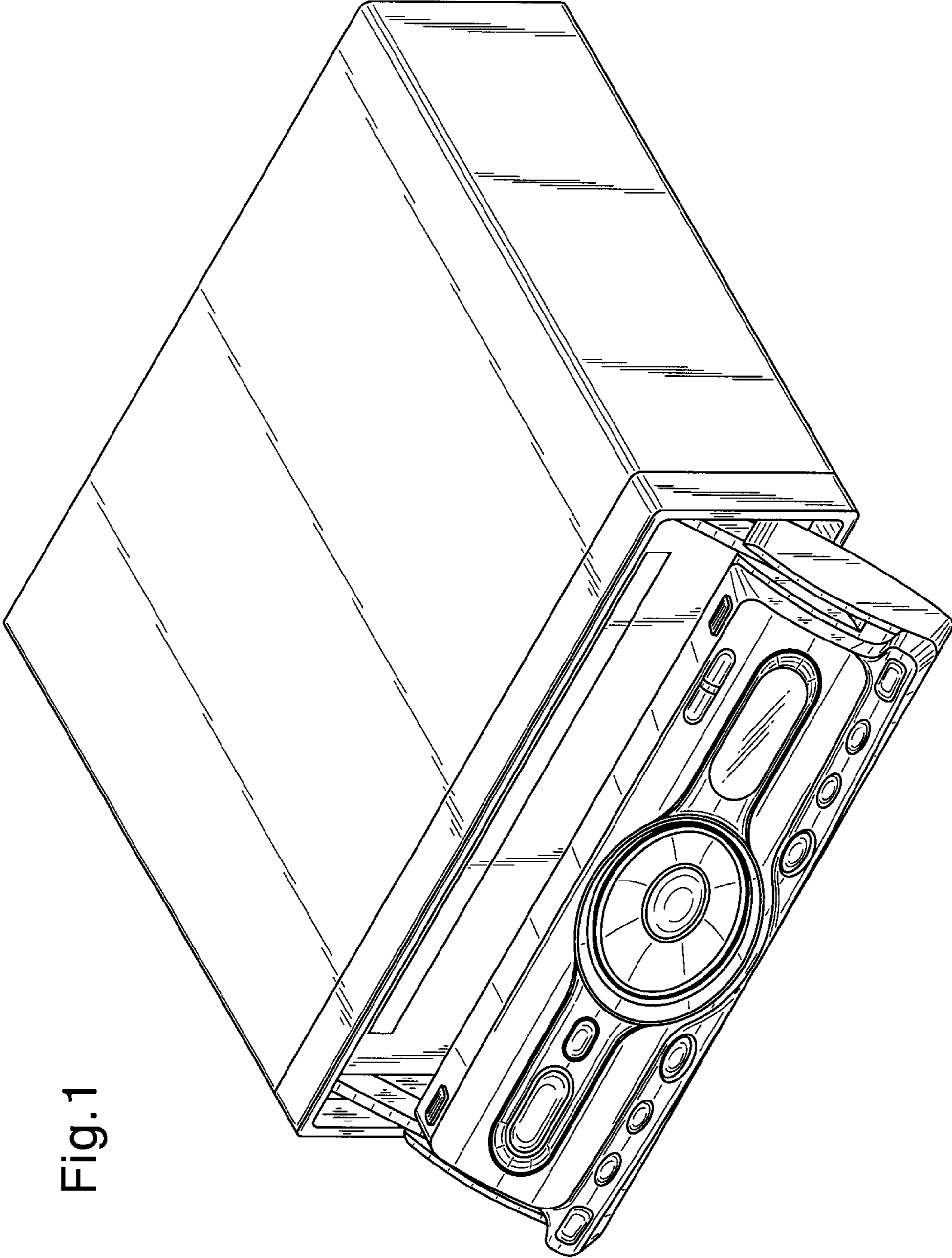


Fig.1

Fig.2

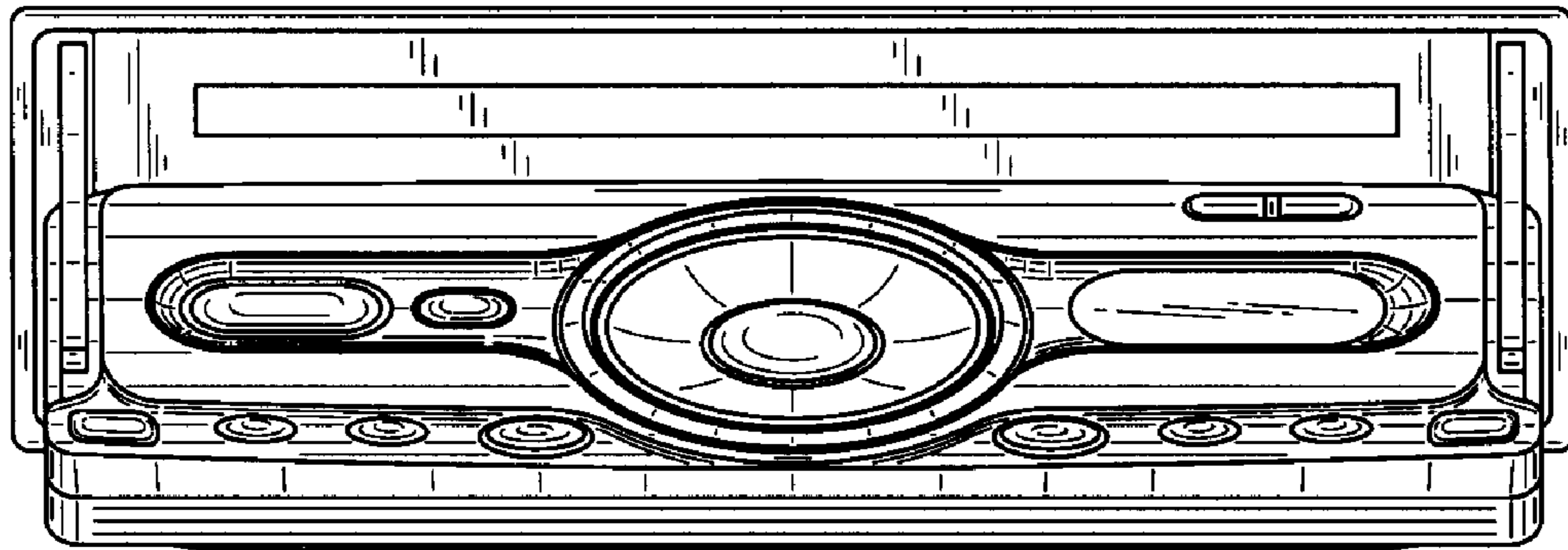


Fig.3

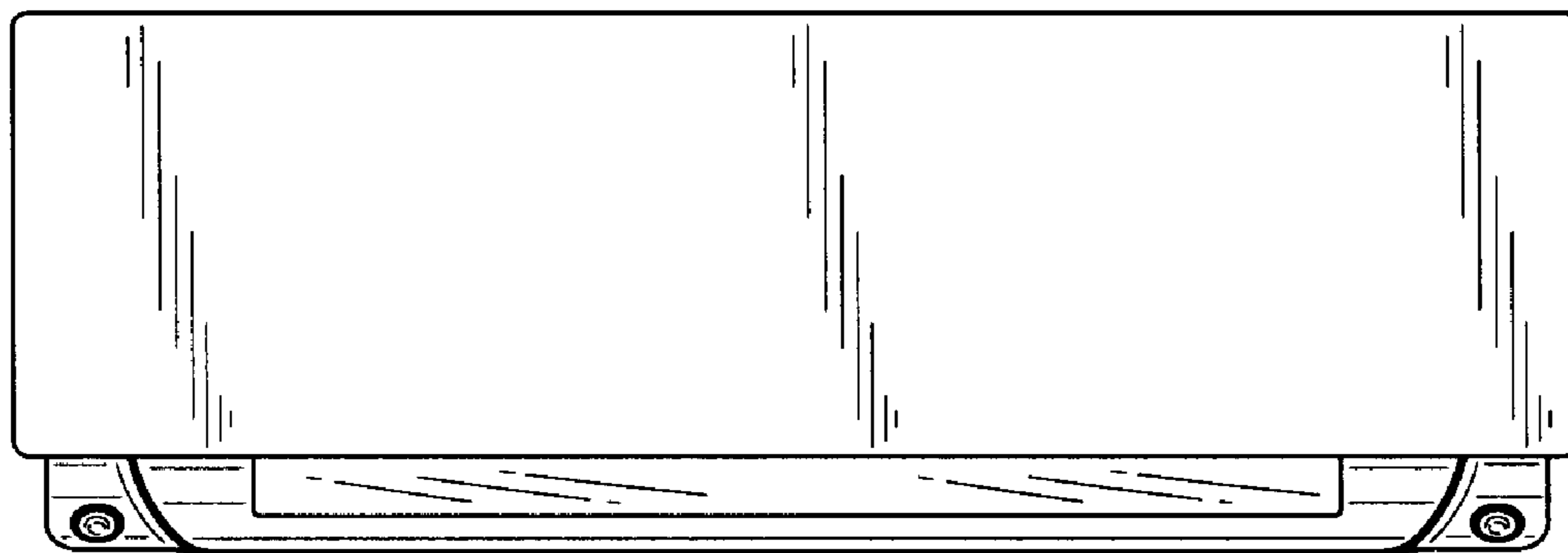


Fig.4

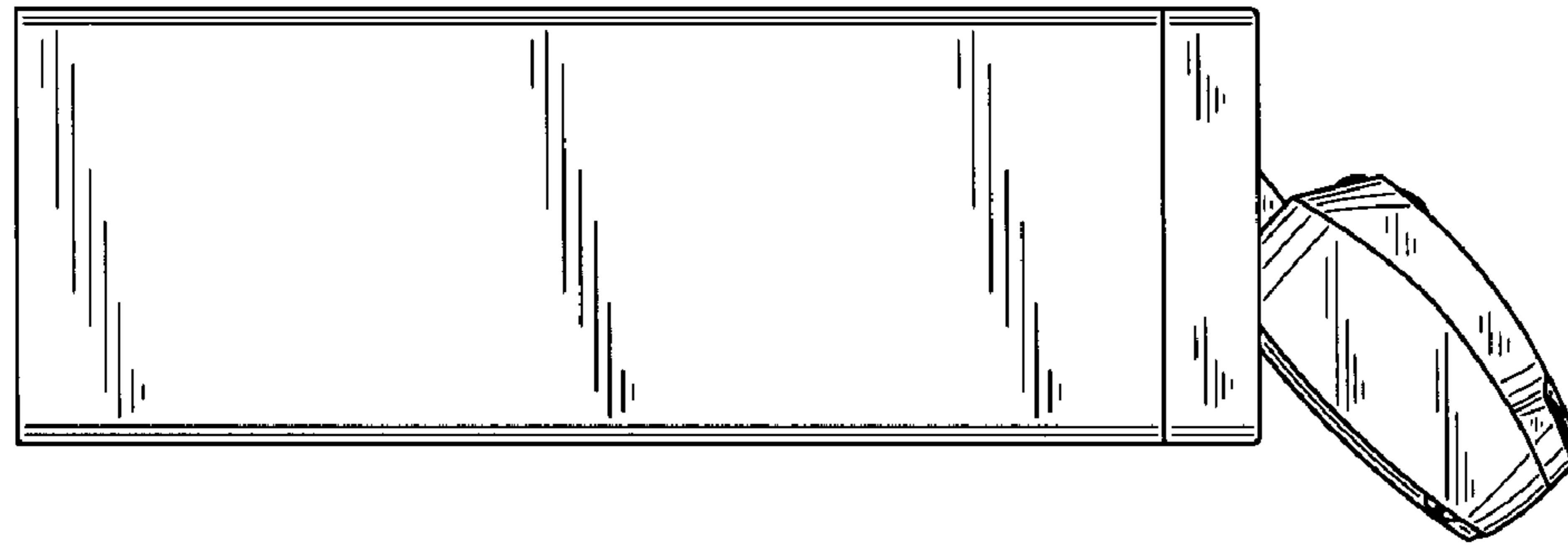


Fig.5

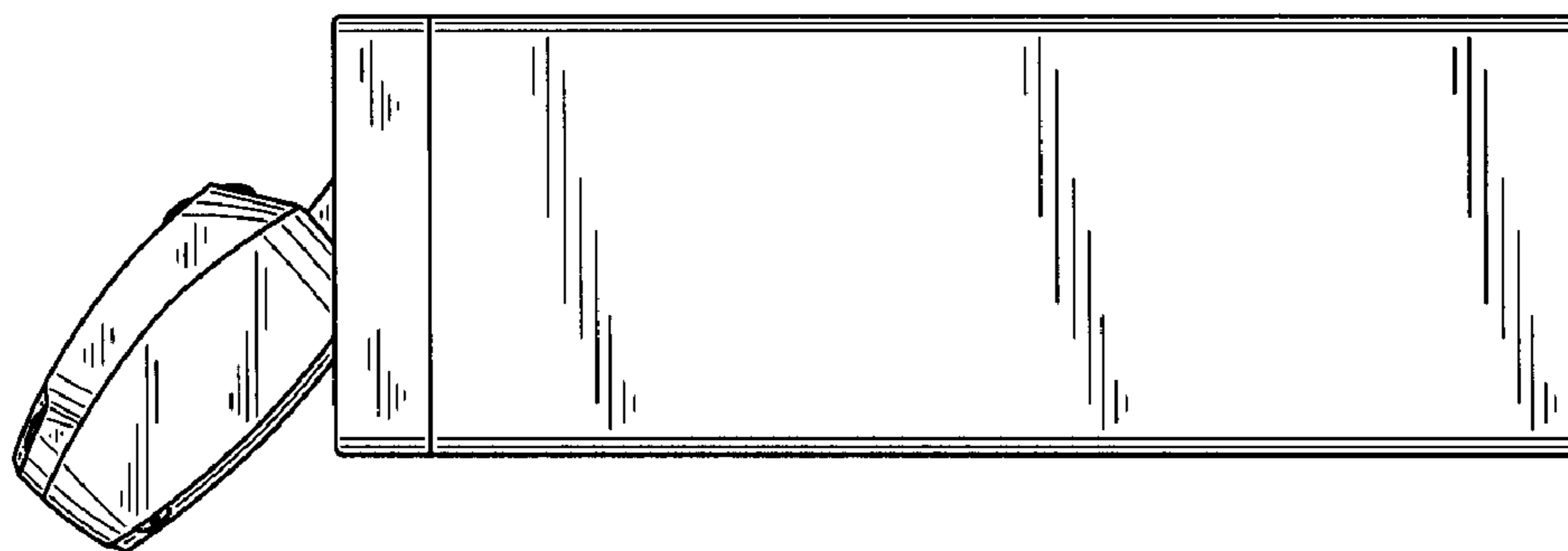


Fig.6

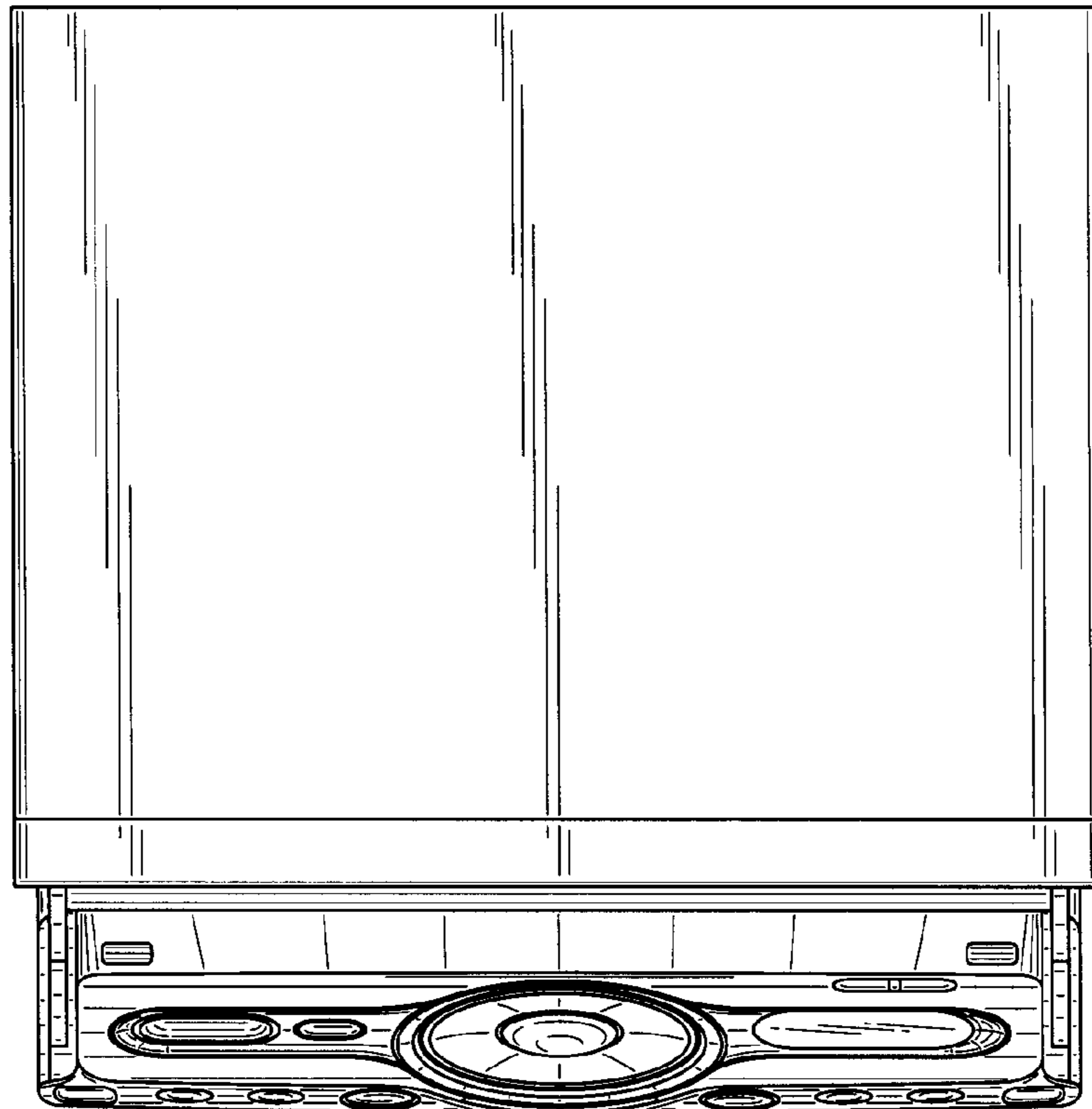


Fig.7

