



US00D513244S

(12) **United States Design Patent**  
**Kim et al.**

(10) **Patent No.: US D513,244 S**

(45) **Date of Patent: \*\* \*Dec. 27, 2005**

(54) **PORTABLE TELEPHONE**

(75) Inventors: **Jin-Soo Kim**, Seoul (KR); **Nam-Mi Kim**, Seoul (KR); **Chang-Hwan Hwang**, Seoul (KR)

(73) Assignee: **Samsung Electronics Co., Ltd.**, Kyunggi-do (KR)

(\*) Notice: This patent is subject to a terminal disclaimer.

(\*\*) Term: **14 Years**

(21) Appl. No.: **29/204,883**

(22) Filed: **May 5, 2004**

(51) **LOC (6) Cl. .... 14-03**

(52) **U.S. Cl. .... D14/138**

(58) **Field of Search** ..... D14/137, 138, D14/218, 147-148, 247-248, 144, 341-347; 379/433.01-433.13, 419, 434, 428.01-428.04, 420.01-420.04, 440; D10/65, 78; 455/550.1-90.3; D21/517; D13/168; 345/168, 169

(56) **References Cited**

**U.S. PATENT DOCUMENTS**

5,027,394	A	*	6/1991	Ono et al.	.....	379/434
5,428,350	A	*	6/1995	Kurcbart et al.	.....	340/7.63
5,436,954	A	*	7/1995	Nishiyama et al.	.....	455/566
6,069,648	A	*	5/2000	Suso et al.	.....	348/14.02
D431,827	S	*	10/2000	Yim	.....	D16/202
6,389,267	B1	*	5/2002	Imai	.....	455/90.1
6,396,924	B1	*	5/2002	Suso et al.	.....	379/433.13
D458,594	S	*	6/2002	Jang	.....	D14/138
D477,293	S	*	7/2003	Hwang	.....	D14/138
D484,862	S	*	1/2004	Yang	.....	D14/138
D484,863	S	*	1/2004	Chan	.....	D14/138
D485,249	S	*	1/2004	Liao et al.	.....	D14/138
D485,818	S	*	1/2004	Yabe et al.	.....	D14/138
D486,811	S	*	2/2004	Lhem	.....	D14/138
D487,443	S	*	3/2004	Yoon	.....	D14/138
D487,444	S	*	3/2004	Yoon	.....	D14/138
D488,453	S	*	4/2004	Chang et al.	.....	D14/138
D489,699	S	*	5/2004	Hwang et al.	.....	D14/138
D490,389	S	*	5/2004	Yang	.....	D14/138
D491,906	S	*	6/2004	Okamatsu	.....	D14/138

D491,907	S	*	6/2004	Ogawa	.....	D14/138
D493,439	S	*	7/2004	Hong et al.	.....	D14/138
D493,440	S	*	7/2004	Chou et al.	.....	D14/138
D495,672	S	*	9/2004	Jeon et al.	.....	D14/138
D495,674	S	*	9/2004	Yoo et al.	.....	D14/138
D496,020	S	*	9/2004	Lee	.....	D14/138
D496,021	S	*	9/2004	Jang	.....	D14/138
2001/0036845	A1	*	11/2001	Park	.....	455/566
2002/0187818	A1	*	12/2002	Kang	.....	455/575
2003/0109232	A1	*	6/2003	Park et al.	.....	455/90
2004/0009790	A1	*	1/2004	Im	.....	455/556.1
2004/0023684	A1	*	2/2004	Sato et al.	.....	455/550.1
2004/0097258	A1	*	5/2004	Lee et al.	.....	455/550.1
2004/0097262	A1	*	5/2004	Lee	.....	455/556.1
2004/0132513	A1	*	7/2004	Taneda et al.	.....	455/575.3
2004/0142718	A1	*	7/2004	Kim	.....	455/550.1
2004/0142734	A1	*	7/2004	Kim	.....	455/575.1

**FOREIGN PATENT DOCUMENTS**

JP D. 1154363 \* 9/2002

**OTHER PUBLICATIONS**

U.S. Appl. No. 29/204,882, Applicant: Jin-Soo Kim, et al., filed May 5, 2004 including specification, claim and 4 sheets of drawings.

\* cited by examiner

*Primary Examiner*—Jeffrey Asch

(74) *Attorney, Agent, or Firm*—Flynn, Thiel, Boutell & Tanis, P.C.

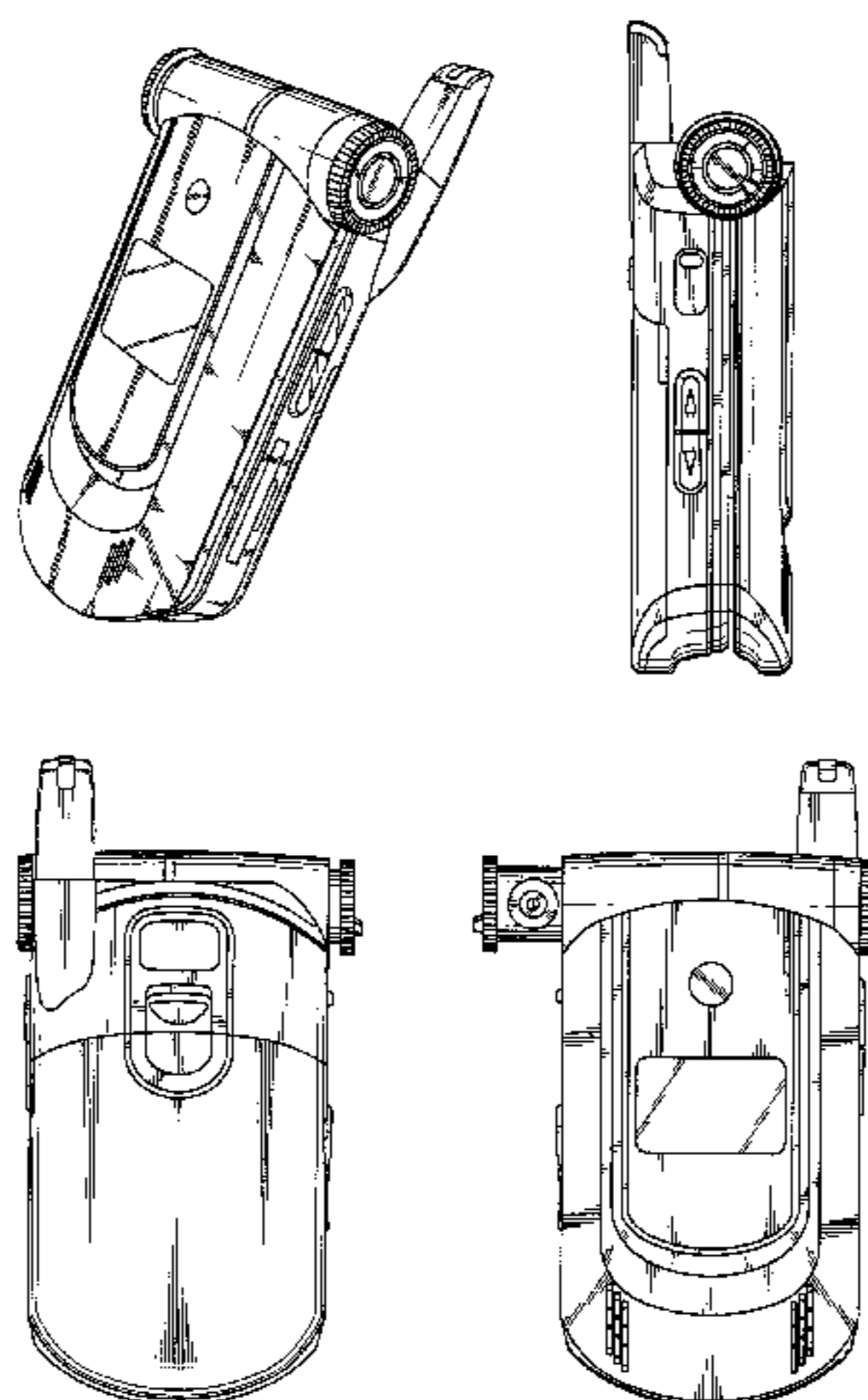
(57) **CLAIM**

The ornamental design for a portable telephone, as shown and described.

**DESCRIPTION**

FIG. 1. is a top front perspective view of a portable telephone showing our new design.  
FIG. 2. is a front elevational view thereof.  
FIG. 3. is a rear elevational view thereof.  
FIG. 4. is a left side elevational view thereof.  
FIG. 5. is a right side elevational view thereof.  
FIG. 6. is a top plan view thereof.  
FIG. 7. is a bottom plan view thereof; and,  
FIG. 8. is a front elevational view of using state thereof.

**1 Claim, 5 Drawing Sheets**



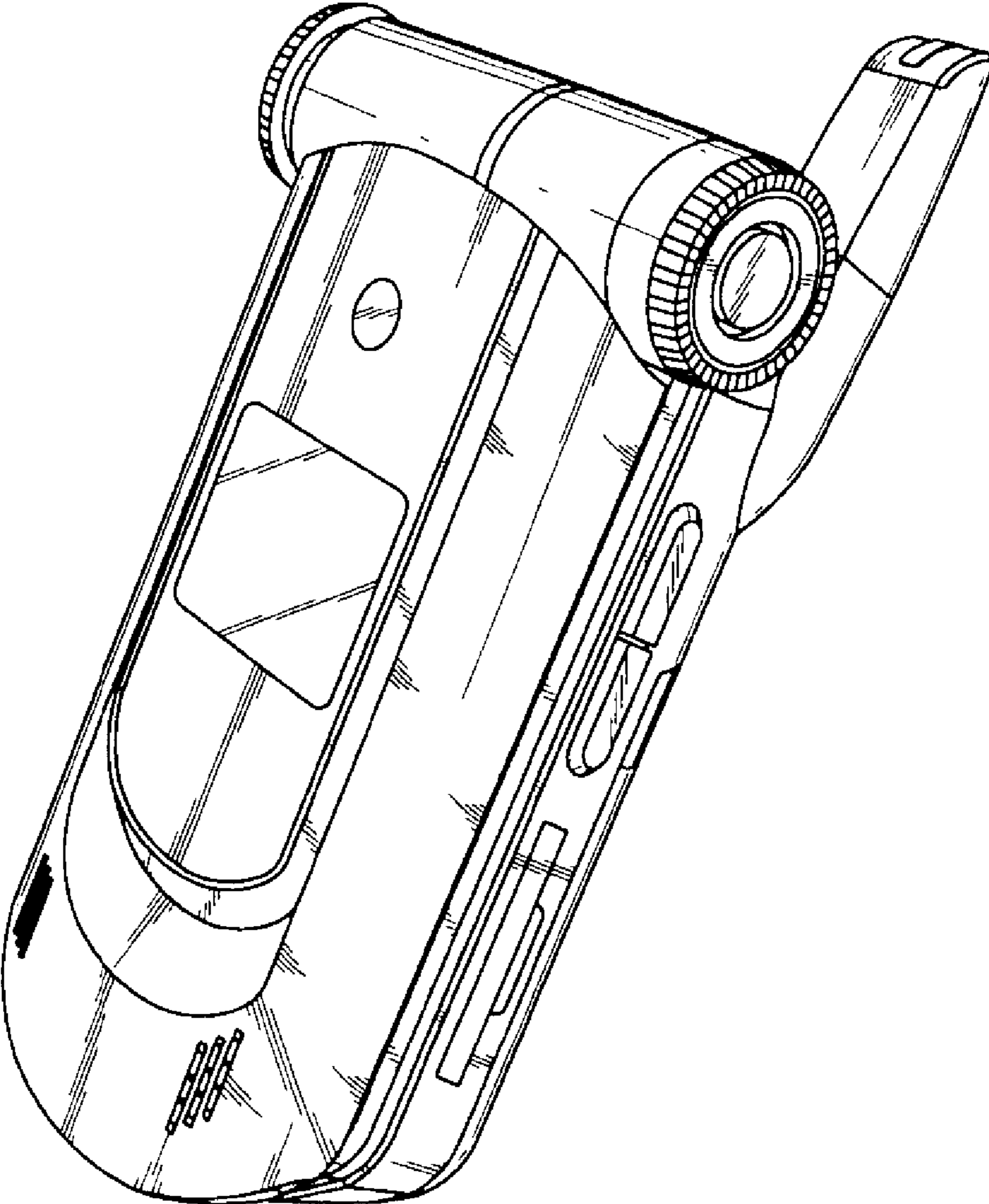


FIG. 1

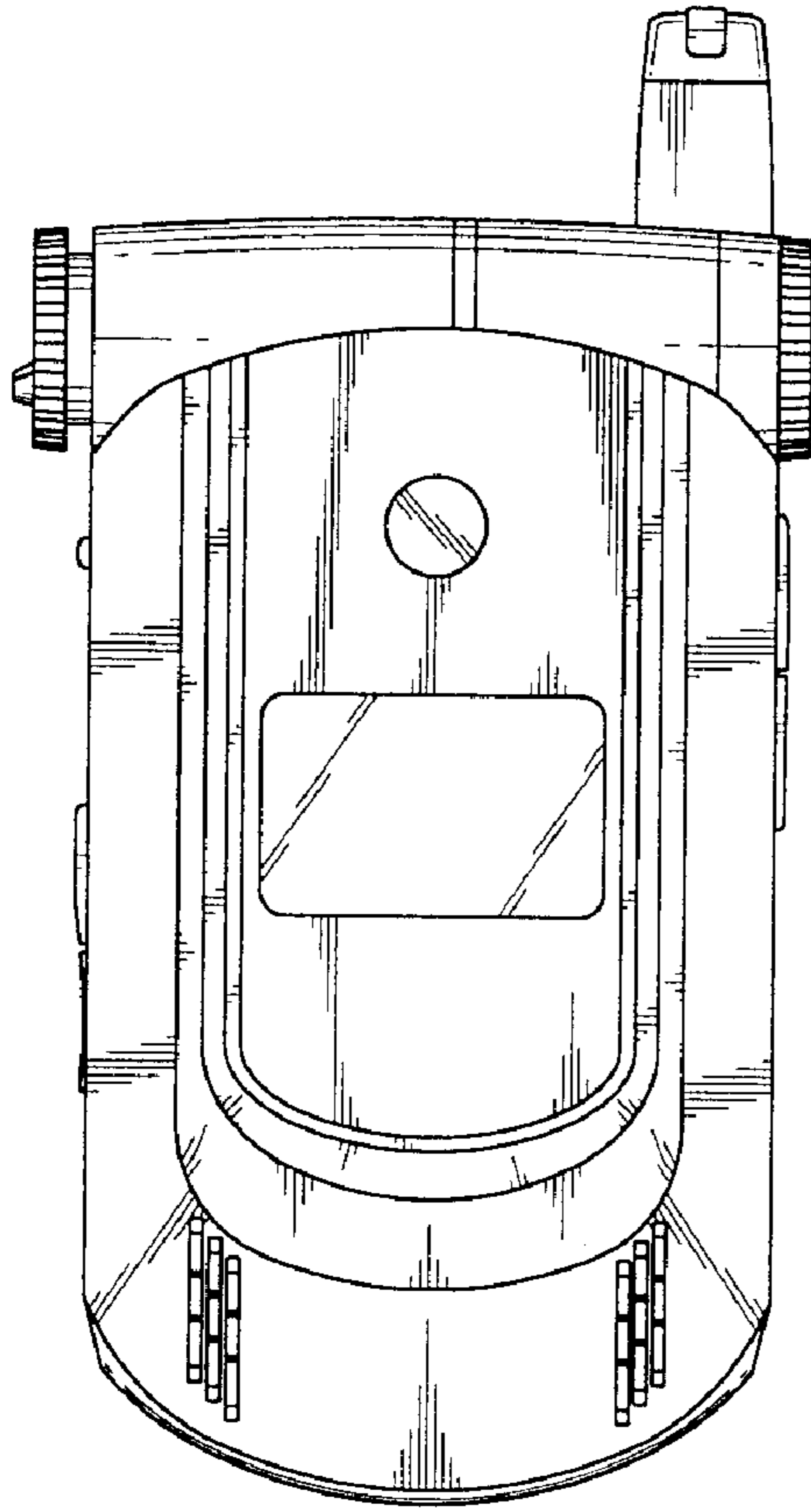


FIG. 2

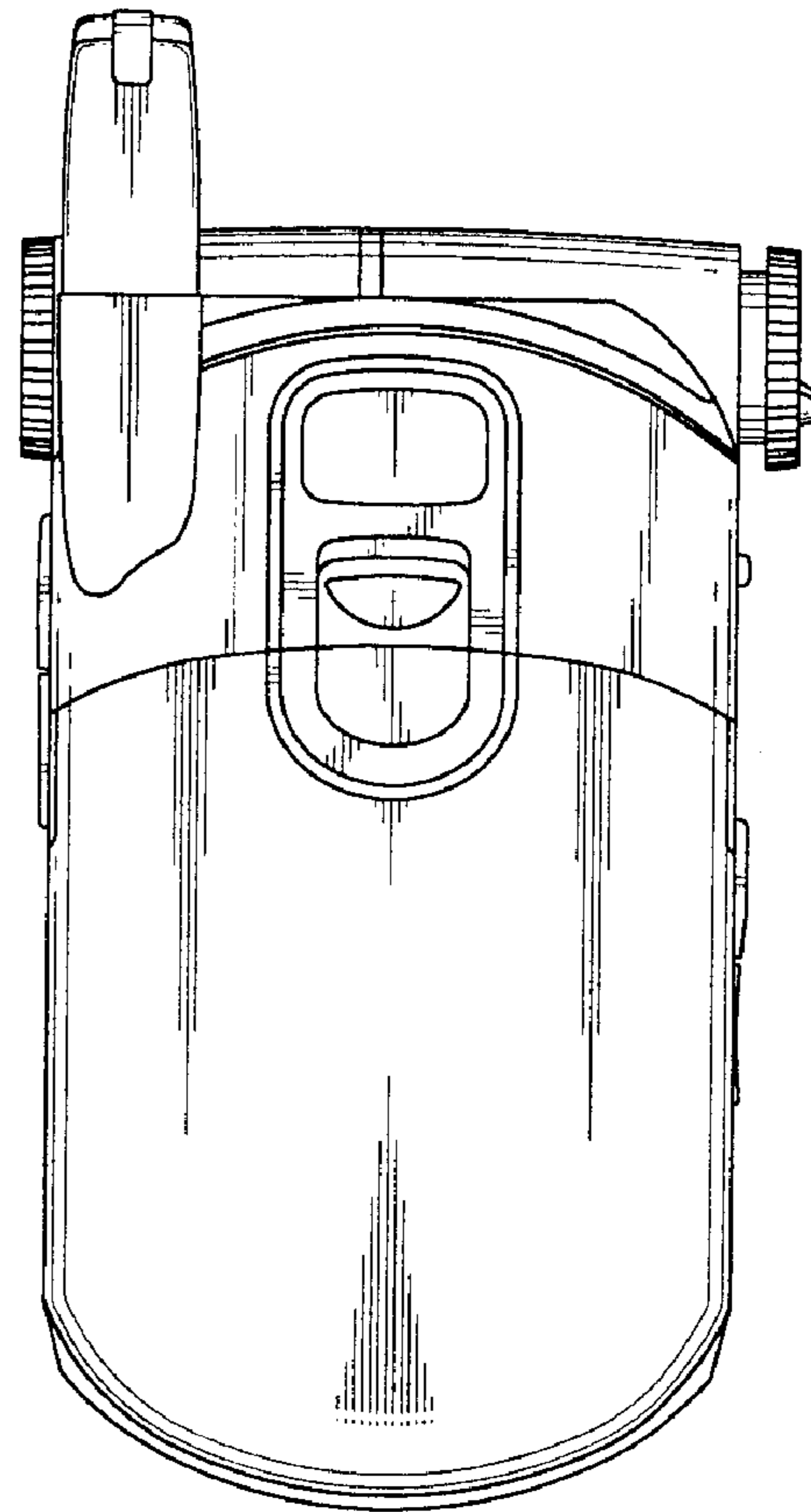


FIG. 3

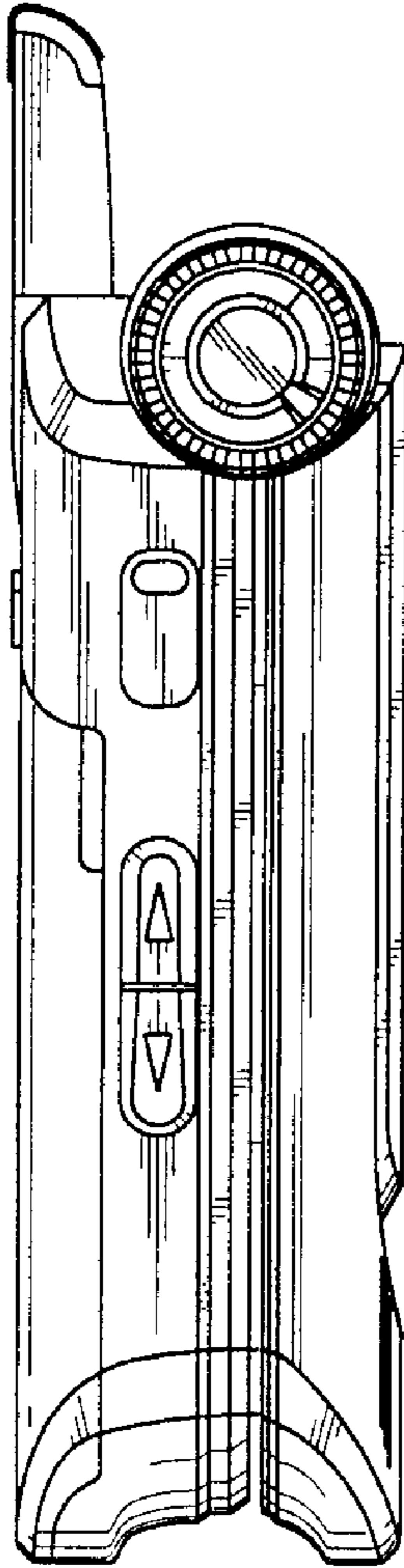


FIG. 4

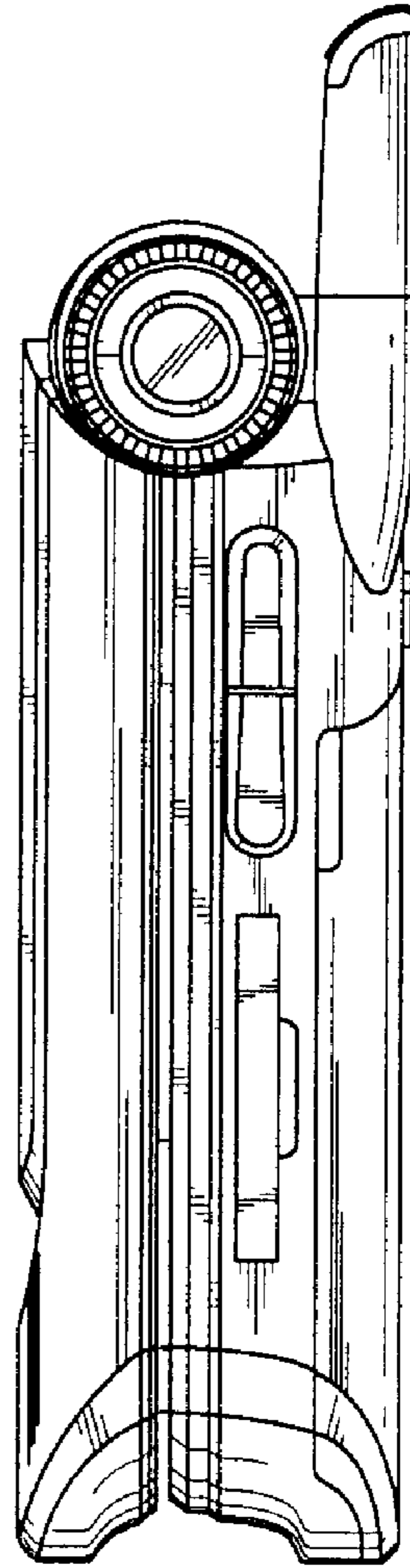


FIG. 5

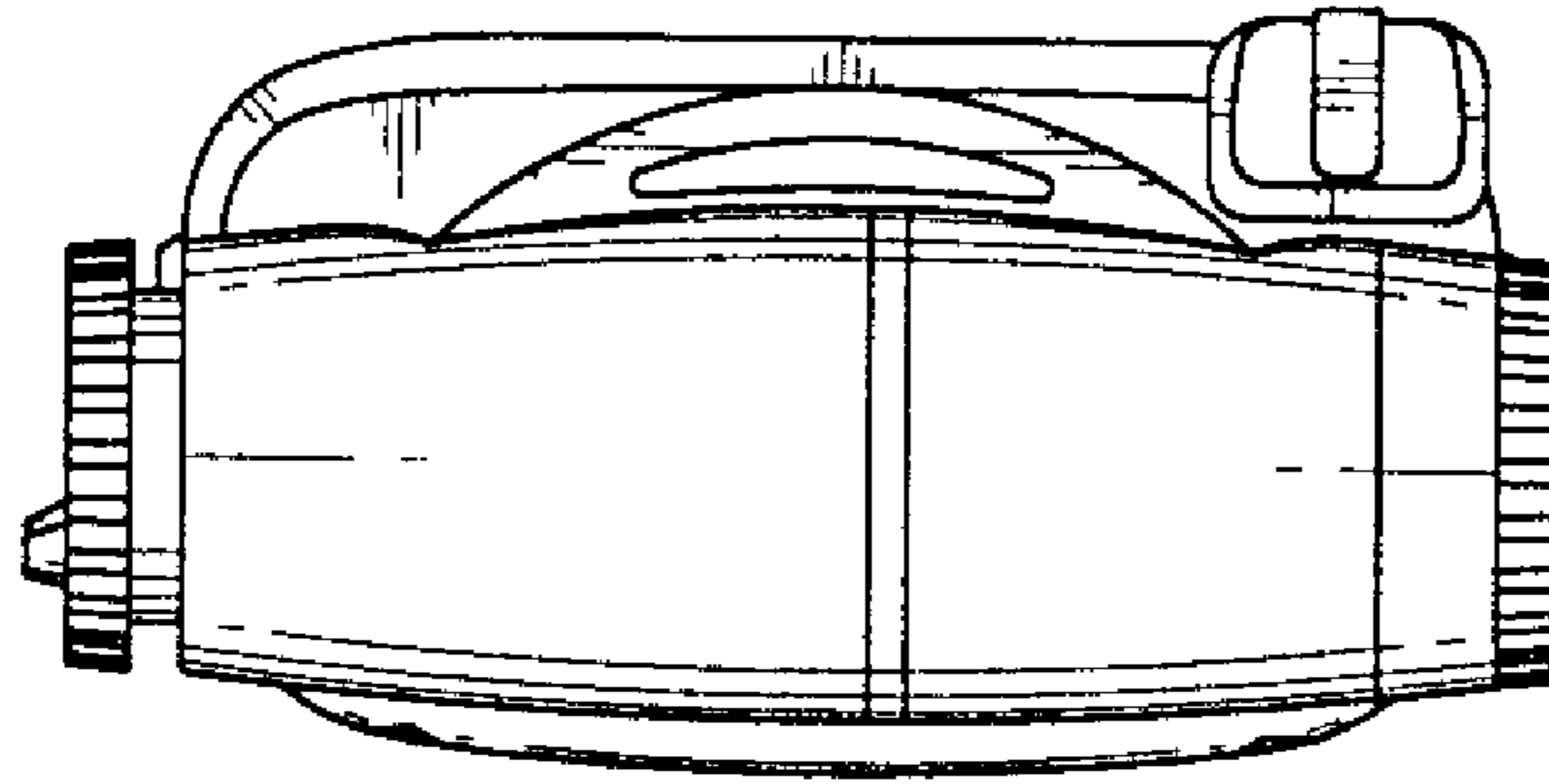


FIG. 6

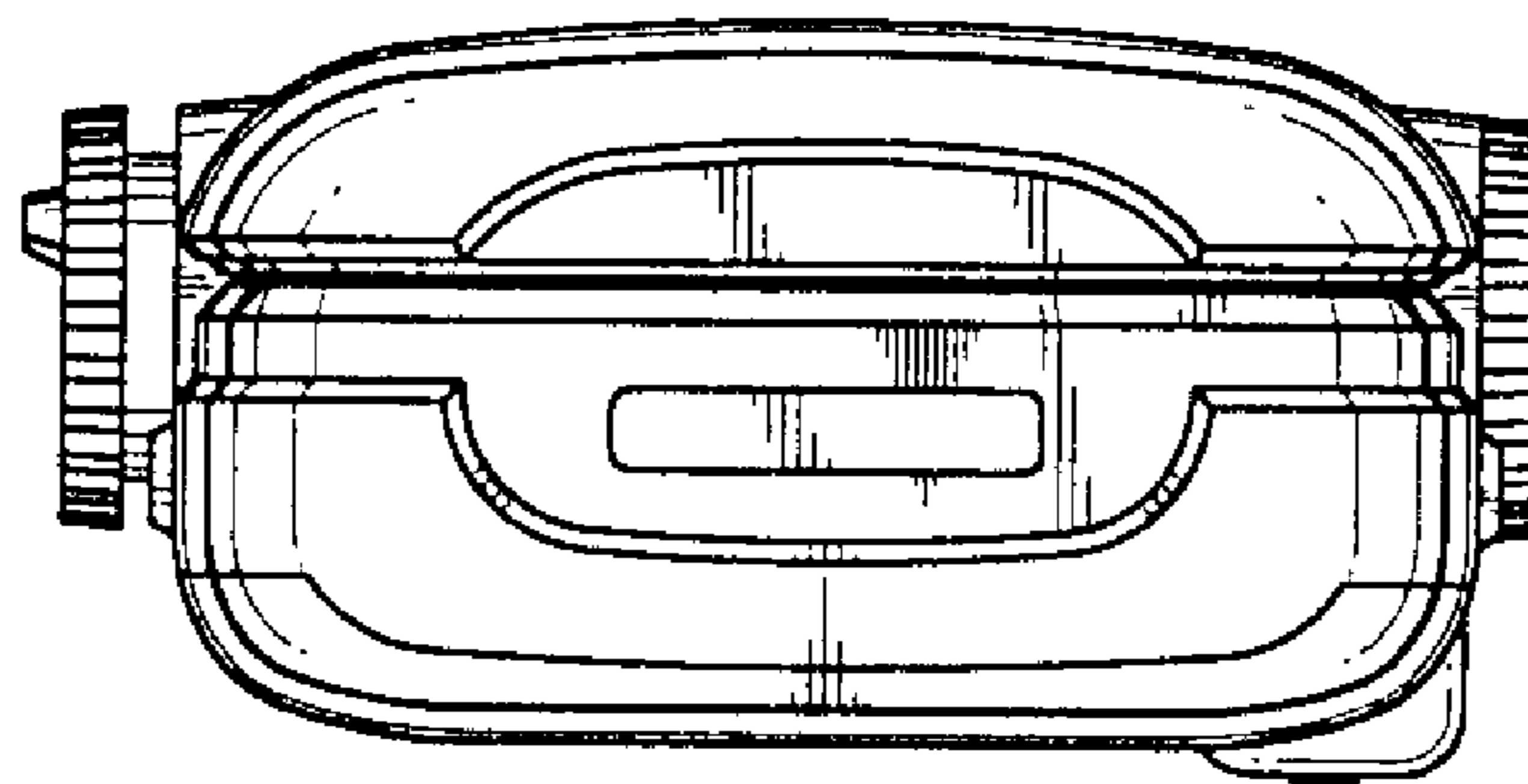


FIG. 7

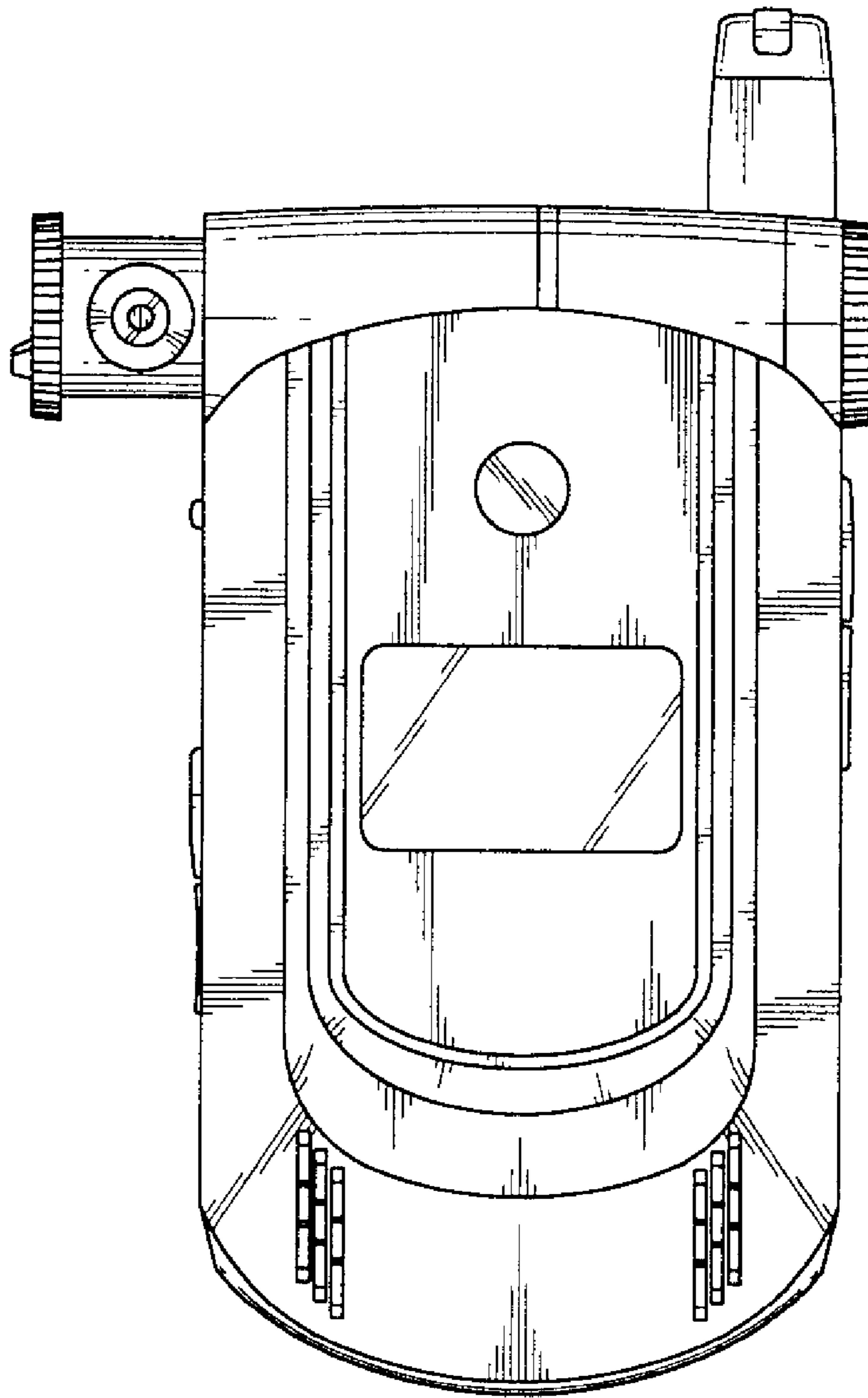


FIG. 8