

US00D513241S

(12) **United States Design Patent**  
**Huang**

(10) **Patent No.:** **US D513,241 S**

(45) **Date of Patent:** **\*\* Dec. 27, 2005**

(54) **LCD TELEVISION**

(75) **Inventor:** **Lih-Teh Huang, Taipei (TW)**

(73) **Assignee:** **Taiwan Kolin Co., Ltd., Taipei (TW)**

(\*\*) **Term:** **14 Years**

(21) **Appl. No.:** **29/204,285**

(22) **Filed:** **Apr. 28, 2004**

(30) **Foreign Application Priority Data**

Nov. 17, 2003 (TW) ..... 92306913

(51) **LOC (6) Cl.** ..... **14-03**

(52) **U.S. Cl.** ..... **D14/126**

(58) **Field of Search** ..... D14/125-134,  
D14/239, 371, 374-376; 312/7.2; 348/836,  
838, 180, 184, 325, 739; 341/12; 248/917-924;  
345/104, 133, 156, 168, 87, 173; 353/74

(56) **References Cited**

**U.S. PATENT DOCUMENTS**

D347,838 S \* 6/1994 Taniuchi et al. .... D14/126

D350,346 S \* 9/1994 Takemasa et al. .... D14/126

D454,845 S \* 3/2002 Niitsu ..... D14/126

D486,456 S \* 2/2004 Fujiki ..... D14/126

D497,352 S \* 10/2004 Asanuma et al. .... D14/126

\* cited by examiner

*Primary Examiner*—Raphael Barkai

(74) *Attorney, Agent, or Firm*—Rosenberg, Klein & Lee

(57) **CLAIM**

The ornamental design for an LCD television, as shown.

**DESCRIPTION**

FIG. 1 is a perspective view of an LCD television showing my new design;

FIG. 2 is a front elevational view thereof;

FIG. 3 is a rear elevational view thereof;

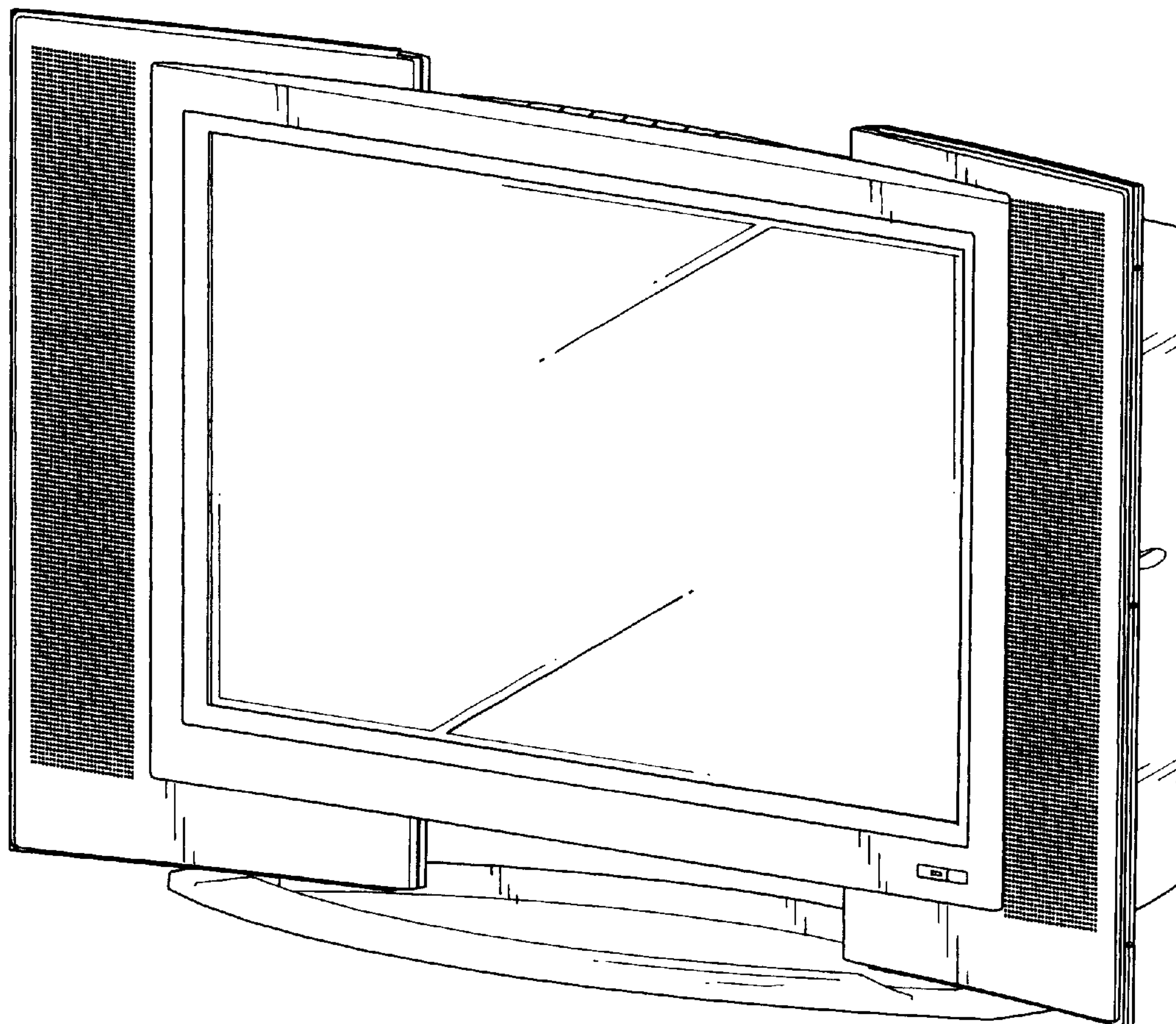
FIG. 4 is a left elevational view thereof;

FIG. 5 is a right elevational view thereof;

FIG. 6 is top plan view thereof; and,

FIG. 7 is a bottom plan view thereof.

**1 Claim, 6 Drawing Sheets**



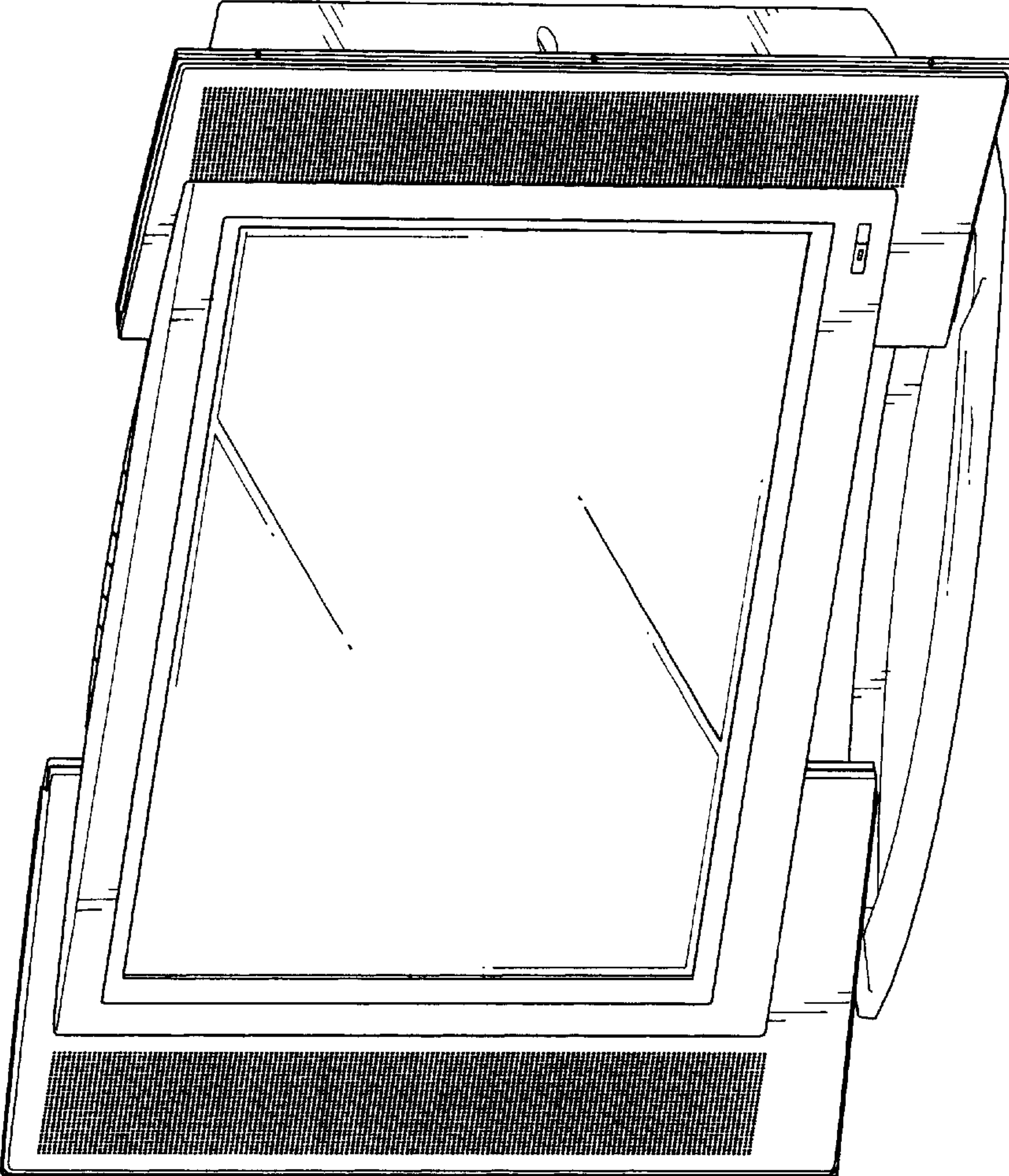


FIG.1

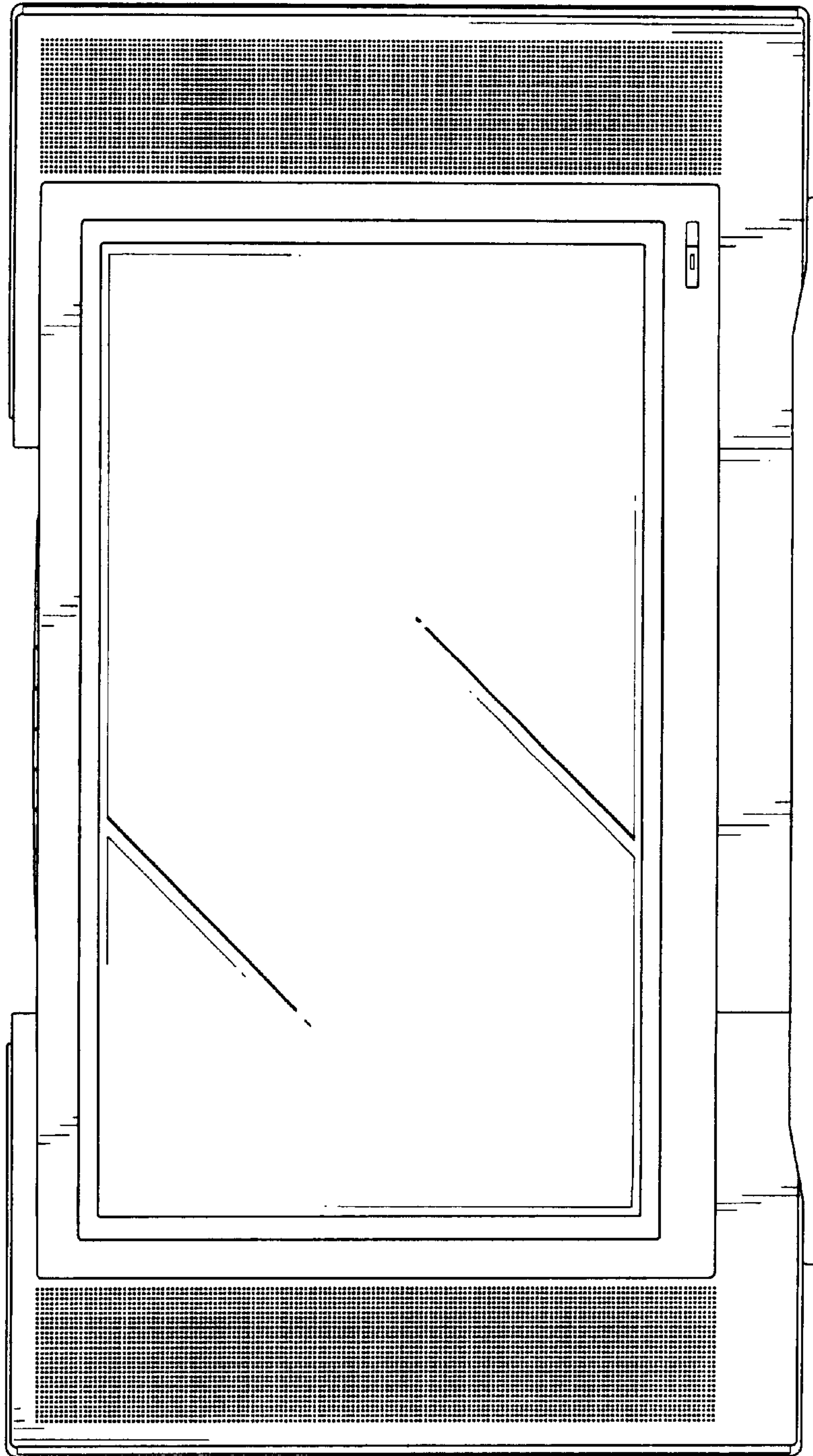


FIG.2

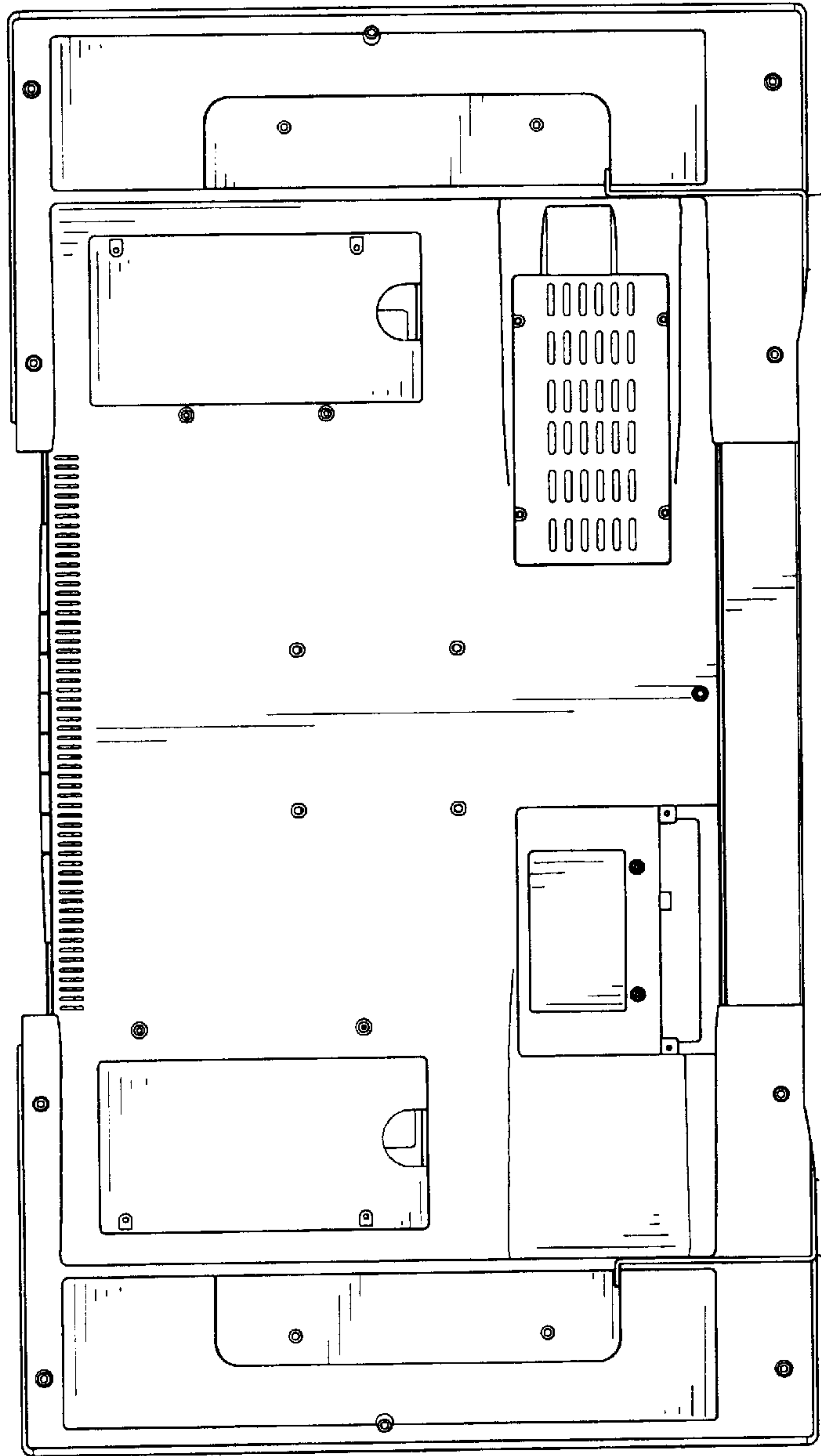


FIG.3



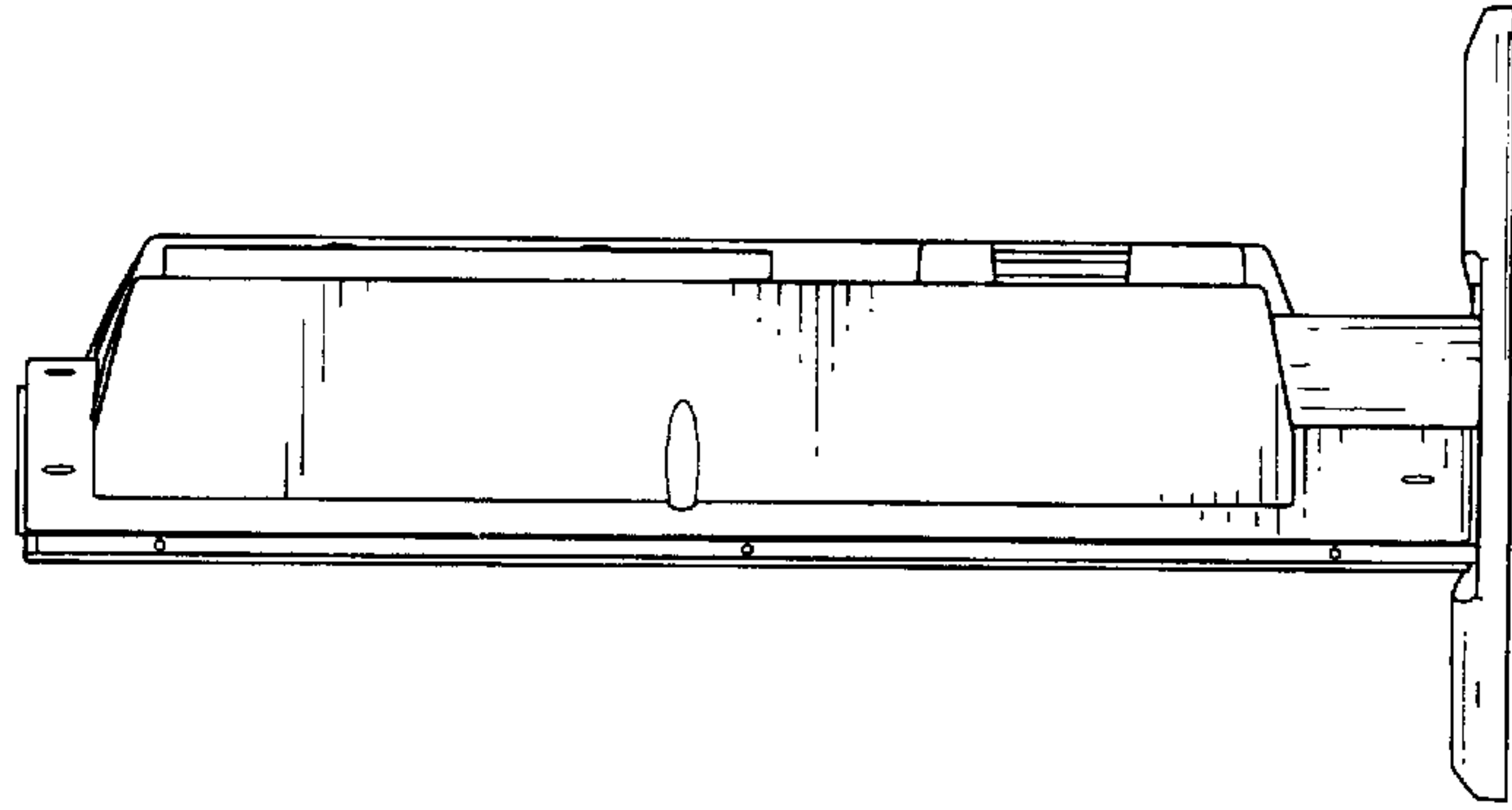


FIG.5

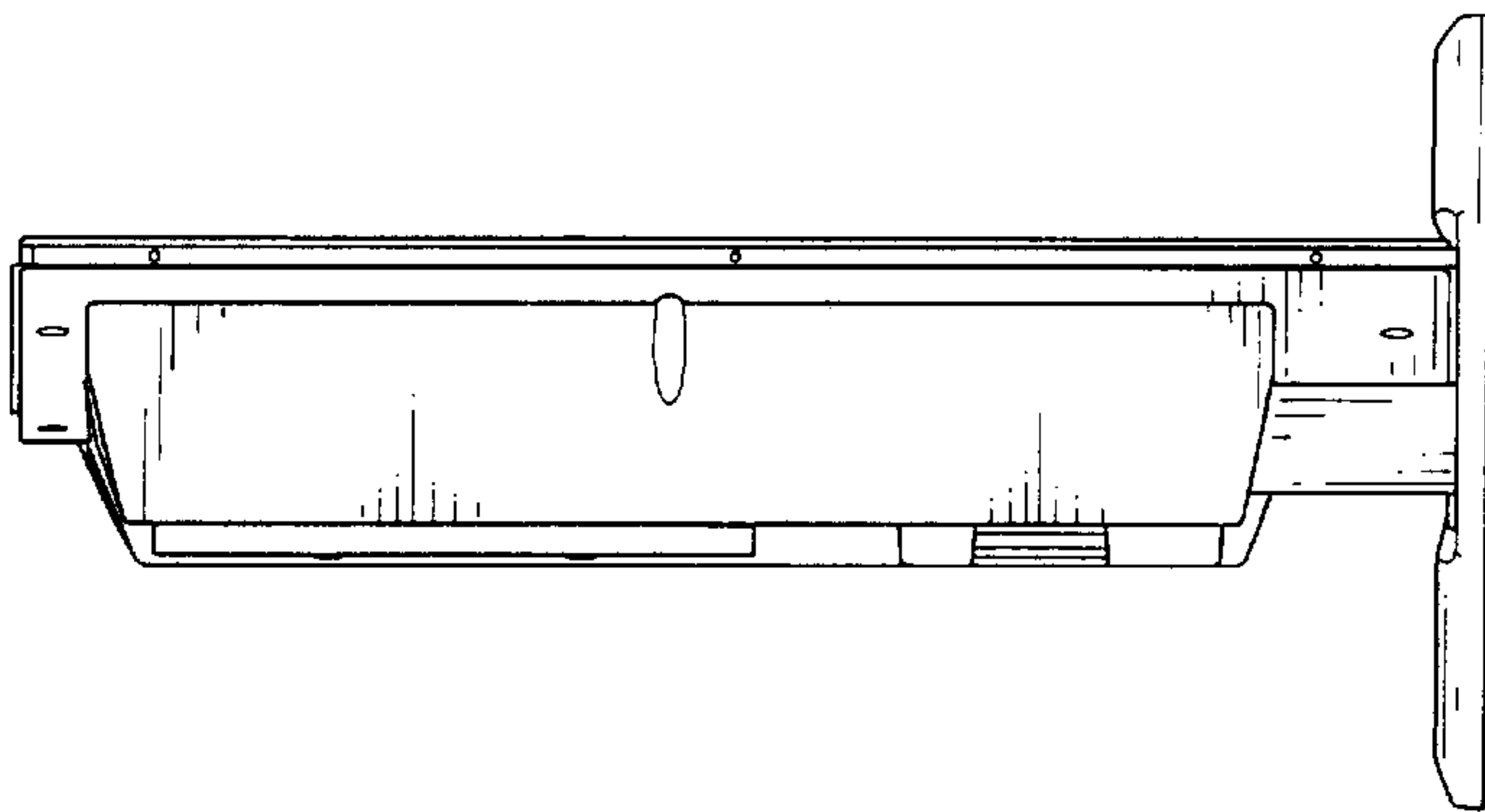


FIG.4

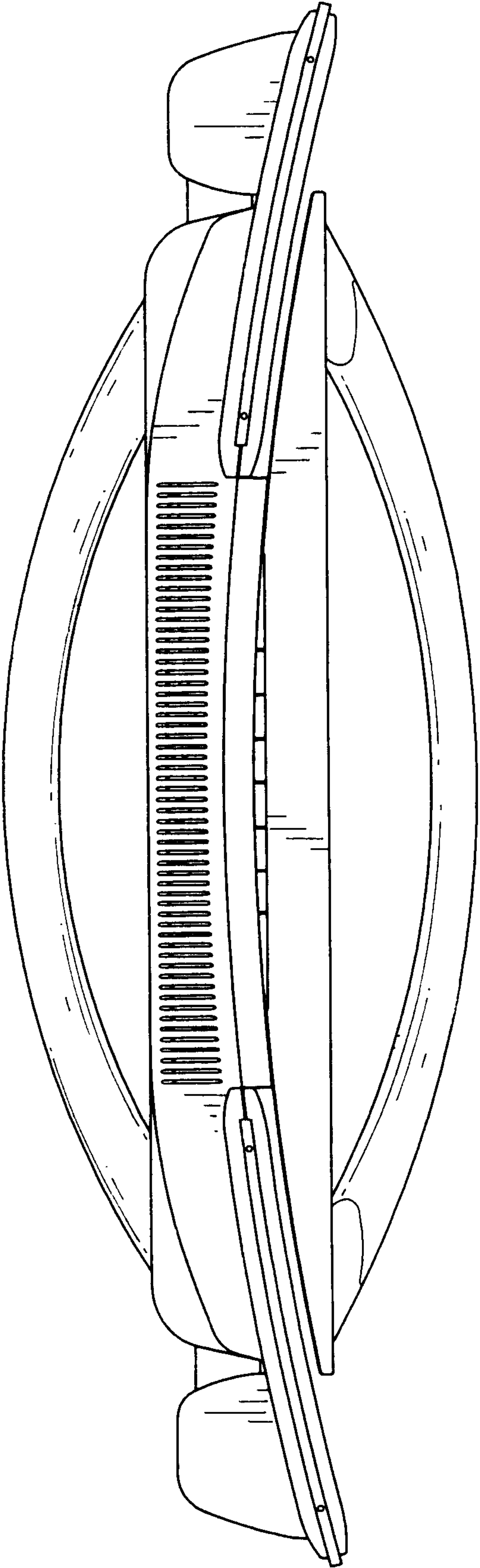


FIG. 6

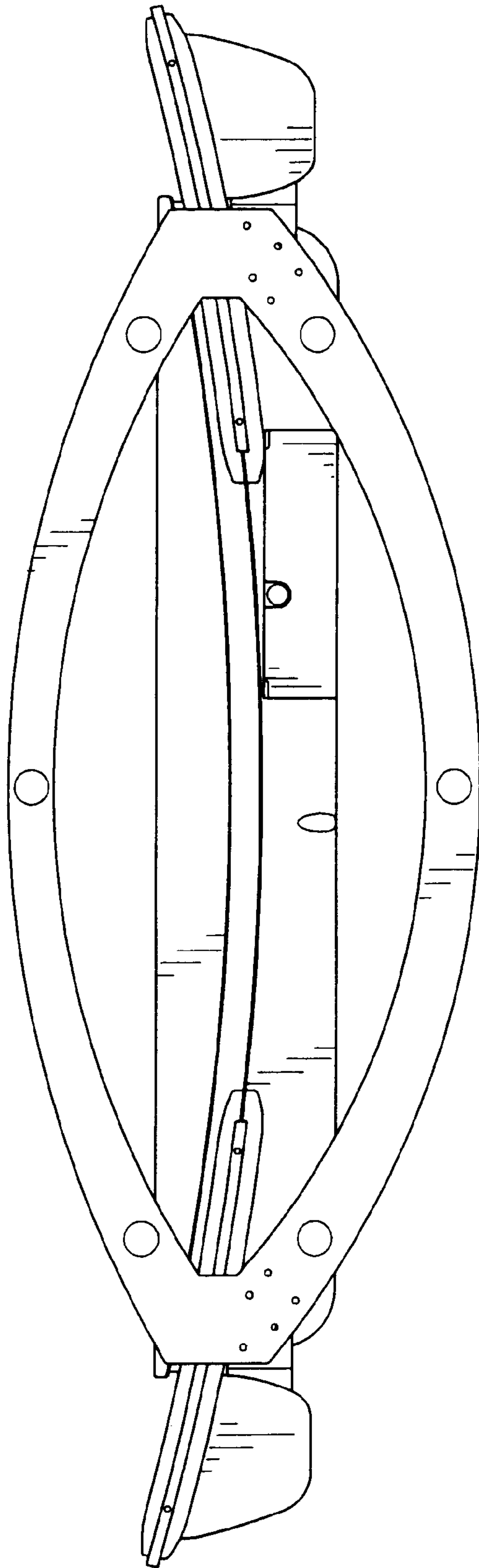


FIG. 7