



US00D513234S

(12) **United States Design Patent**
Martin

(10) **Patent No.:** **US D513,234 S**

(45) **Date of Patent:** **** Dec. 27, 2005**

(54) **REMOTE CONTROL**

(75) **Inventor:** **Mark G. Martin**, Monrovia, CA (US)

(73) **Assignee:** **Sharper Image**, San Francisco, CA (US)

(**) **Term:** **14 Years**

(21) **Appl. No.:** **29/214,404**

(22) **Filed:** **Oct. 1, 2004**

(51) **LOC (6) Cl.** **13-03**

(52) **U.S. Cl.** **D13/168**

(58) **Field of Search** D13/168; D10/78, D10/104, 106; D14/218, 247; 340/825.22, 825.24, 825.25, 825.31, 825.36, 825.69, 825.72; 348/734; 379/102.01, 102.03; 455/100, 128, 151.1–151.4, 352–355

(56) **References Cited**

U.S. PATENT DOCUMENTS

- D322,244 S * 12/1991 Bishai D13/168
- D435,545 S * 12/2000 Uehara D14/218
- D478,829 S * 8/2003 Yang et al. D10/104

D492,664 S * 7/2004 Christianson D14/218
2005/0030434 A1 * 2/2005 Sata et al. 348/734

* cited by examiner

Primary Examiner—Stella Reid
Assistant Examiner—Selina Sikder

(74) *Attorney, Agent, or Firm*—Bell, Boyd & Lloyd LLC

(57) **CLAIM**

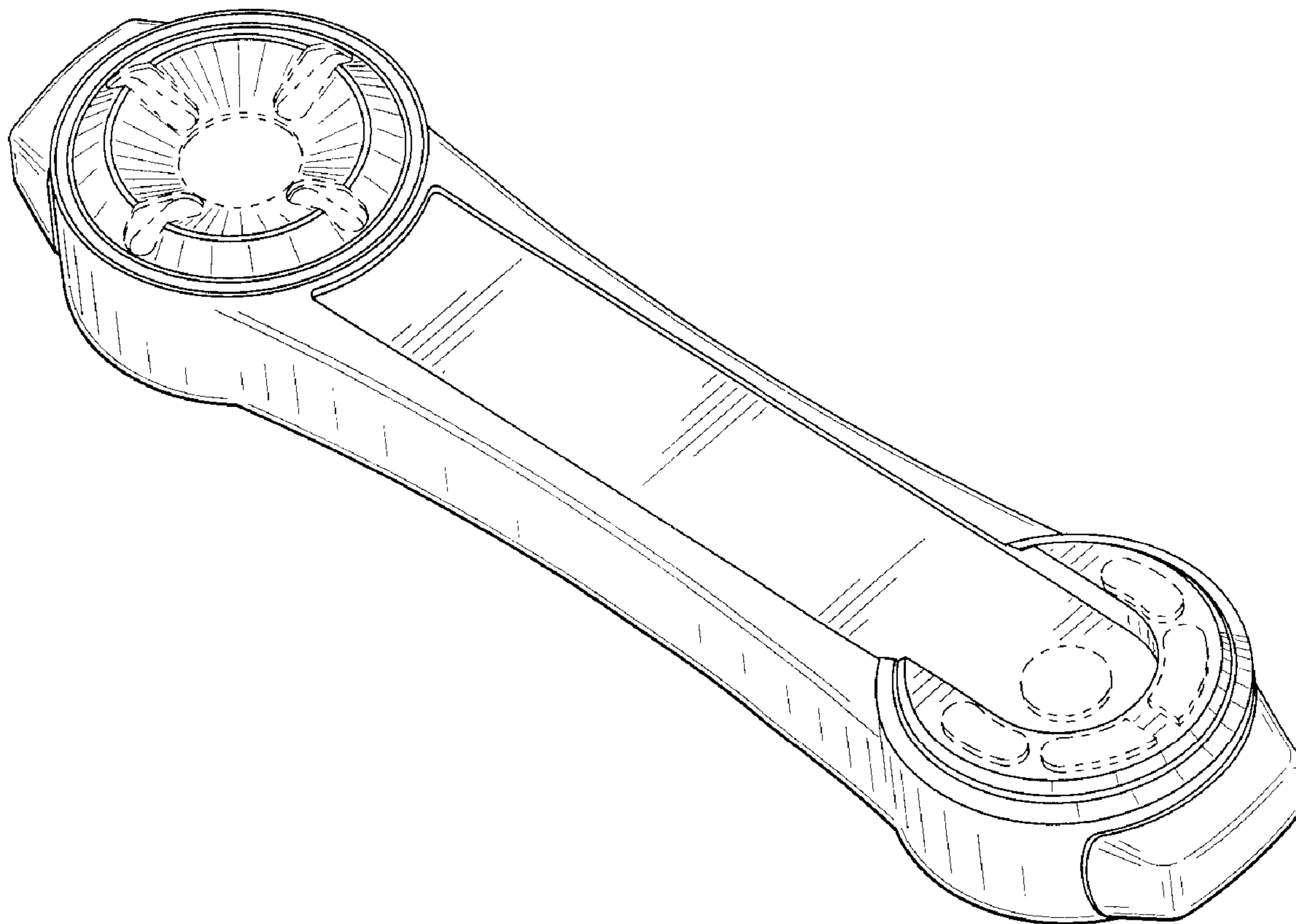
The ornamental design for a remote control, as shown and described.

DESCRIPTION

FIG. 1 is a top perspective view of a remote control, showing my new design;
FIG. 2 is a bottom perspective view thereof;
FIG. 3 is a top view thereof;
FIG. 4 is a bottom view thereof;
FIG. 5 is a left side view thereof;
FIG. 6 is a right side view thereof;
FIG. 7 is a front view thereof; and,
FIG. 8 is a rear view thereof.

The broken lines in FIGS. 1 to 8 are for illustrative purposes only and form no part of the claimed design.

1 Claim, 3 Drawing Sheets



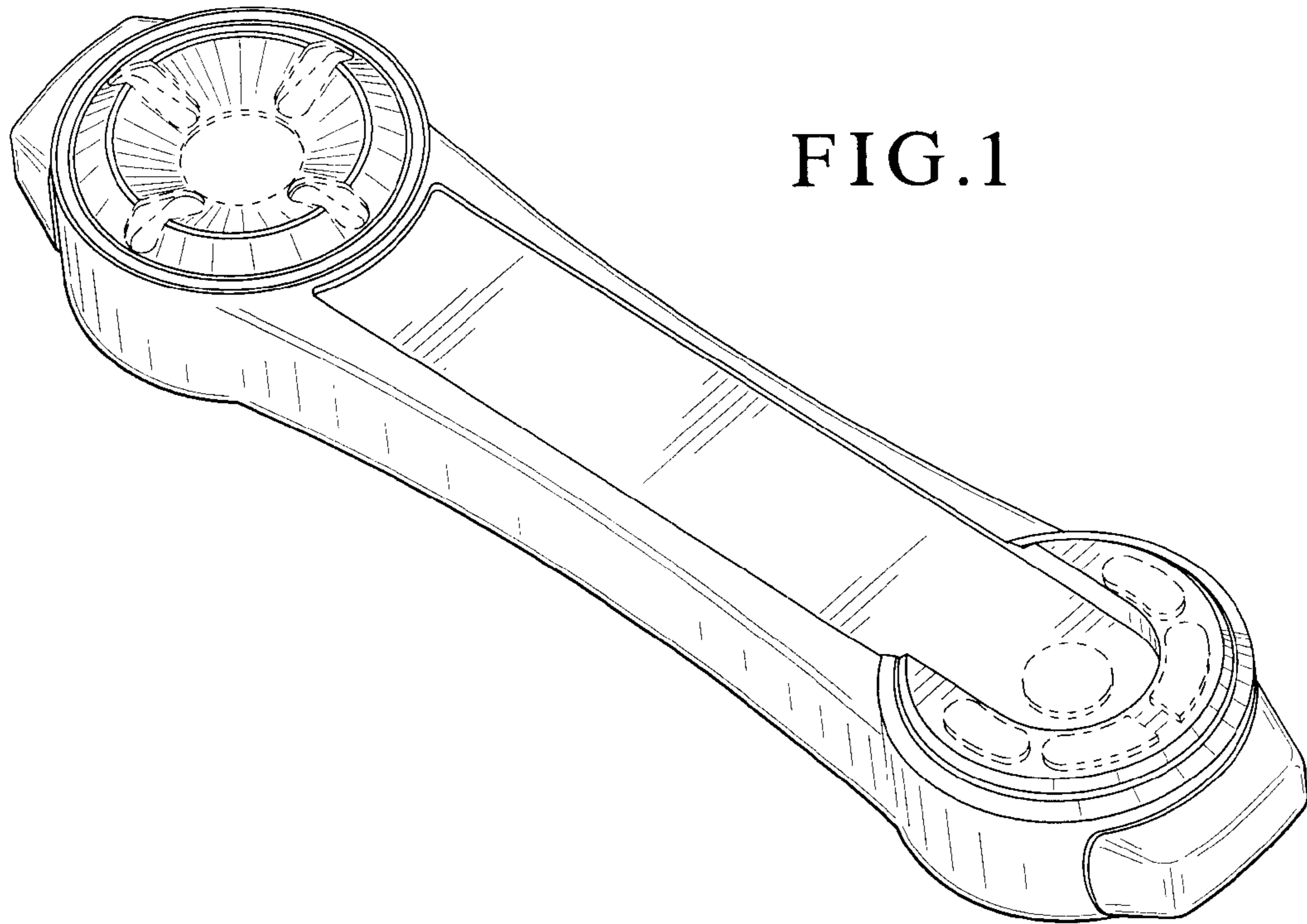


FIG. 1

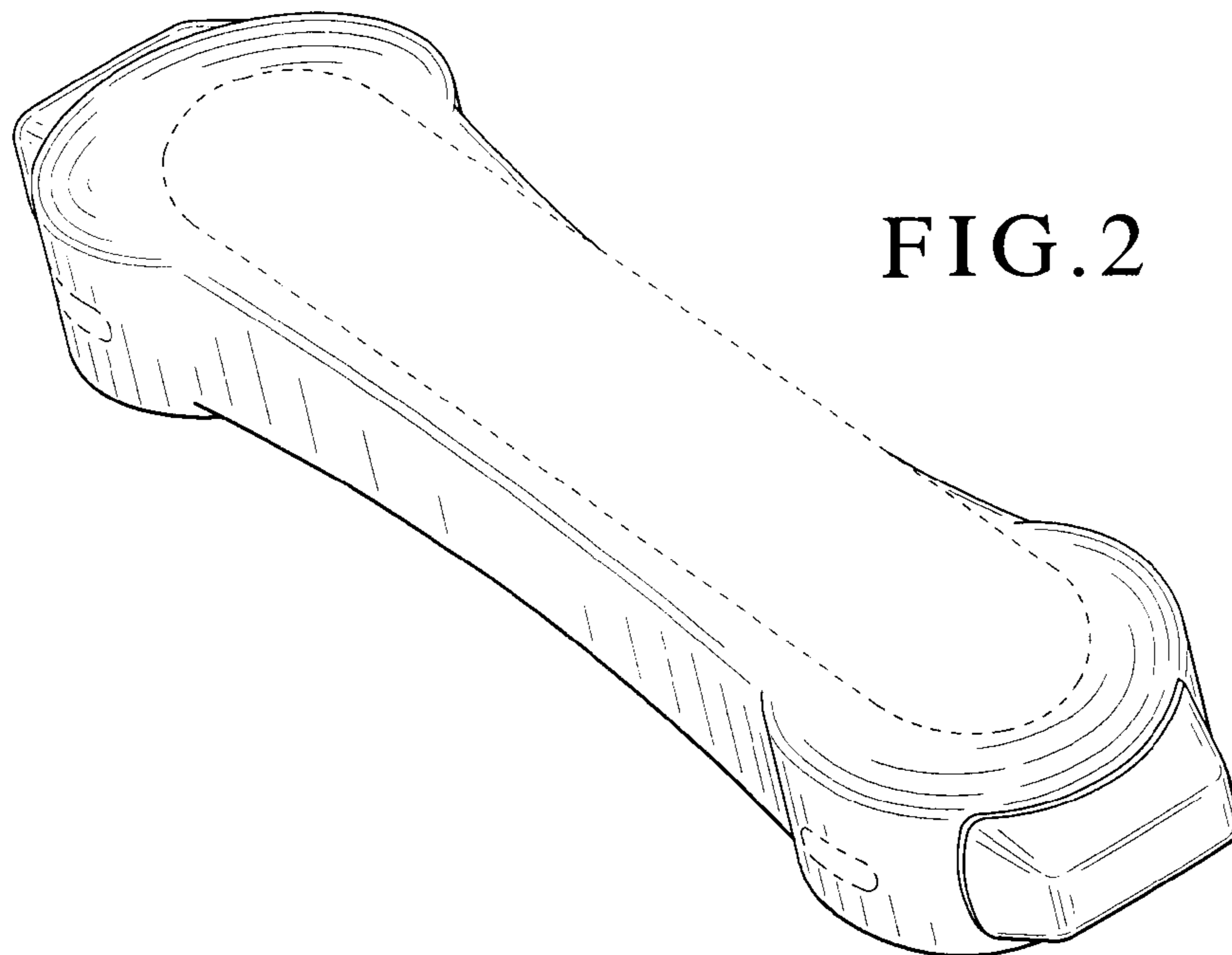


FIG. 2

FIG. 3

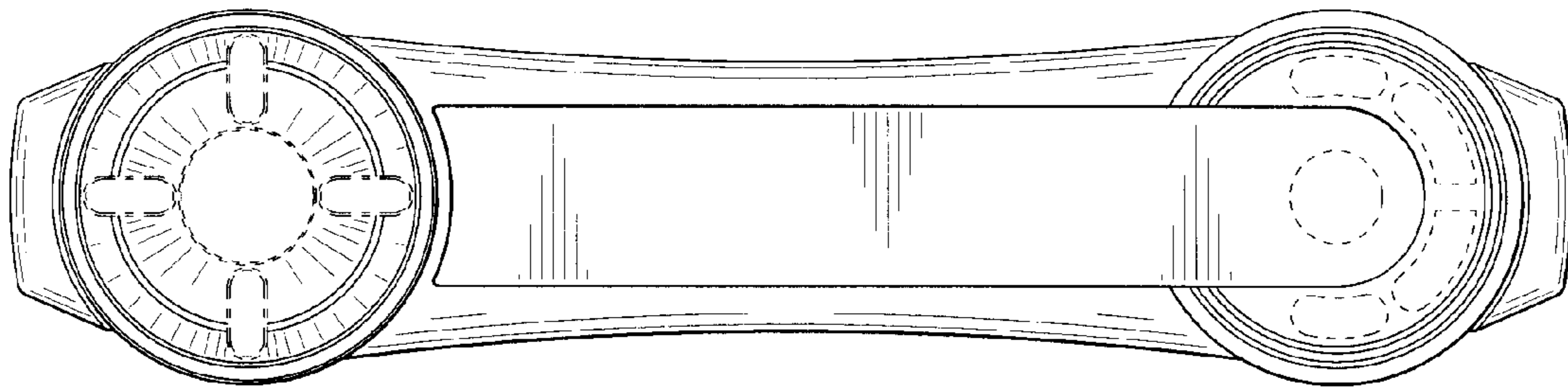


FIG. 4

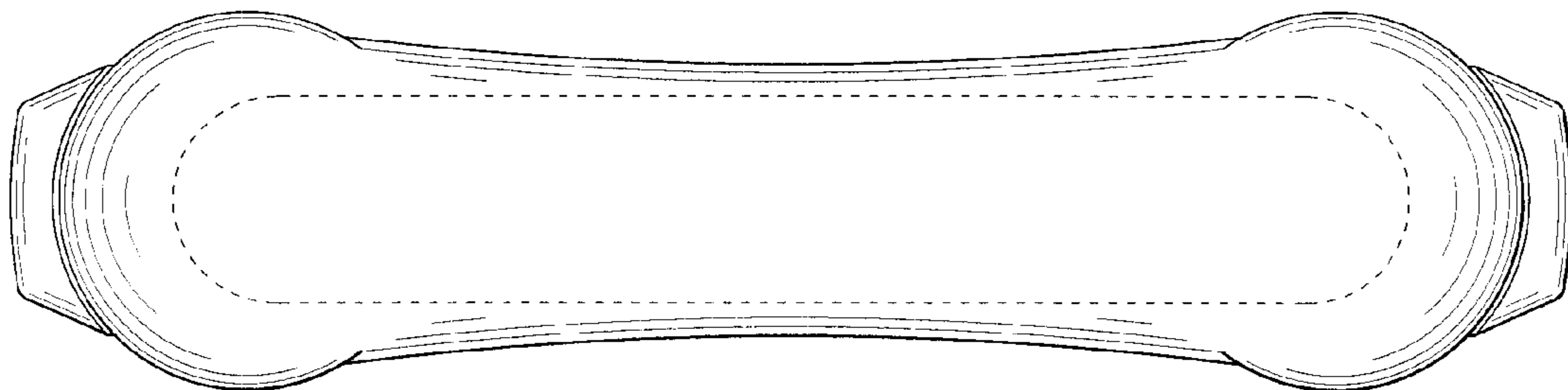


FIG. 5

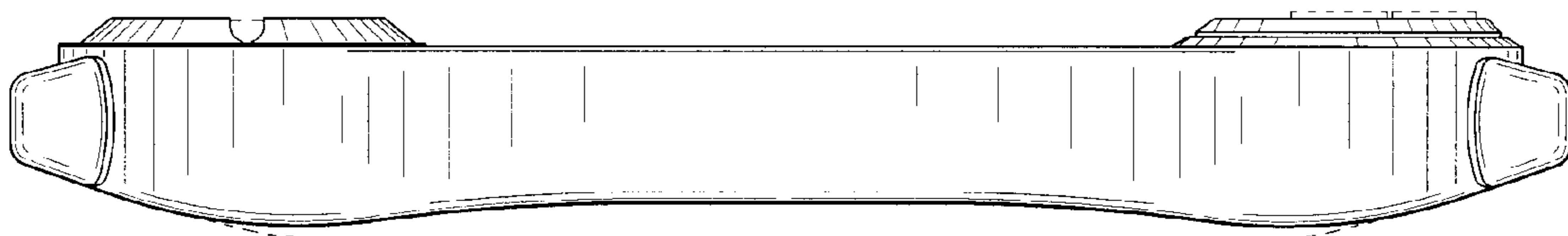


FIG. 6

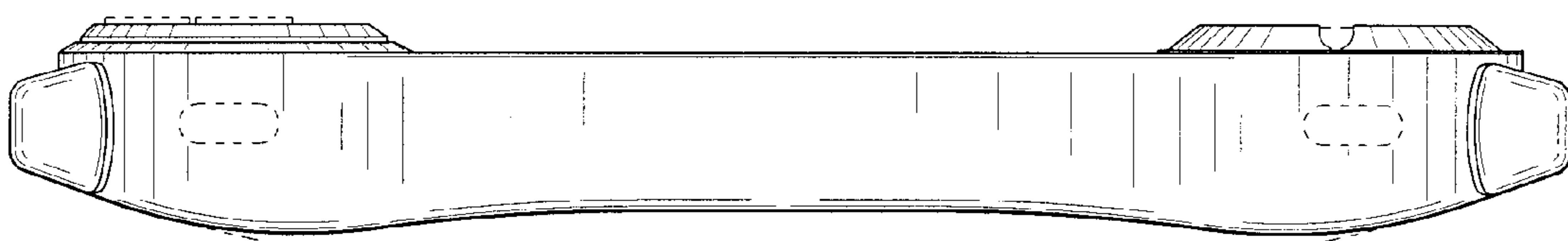


FIG. 7

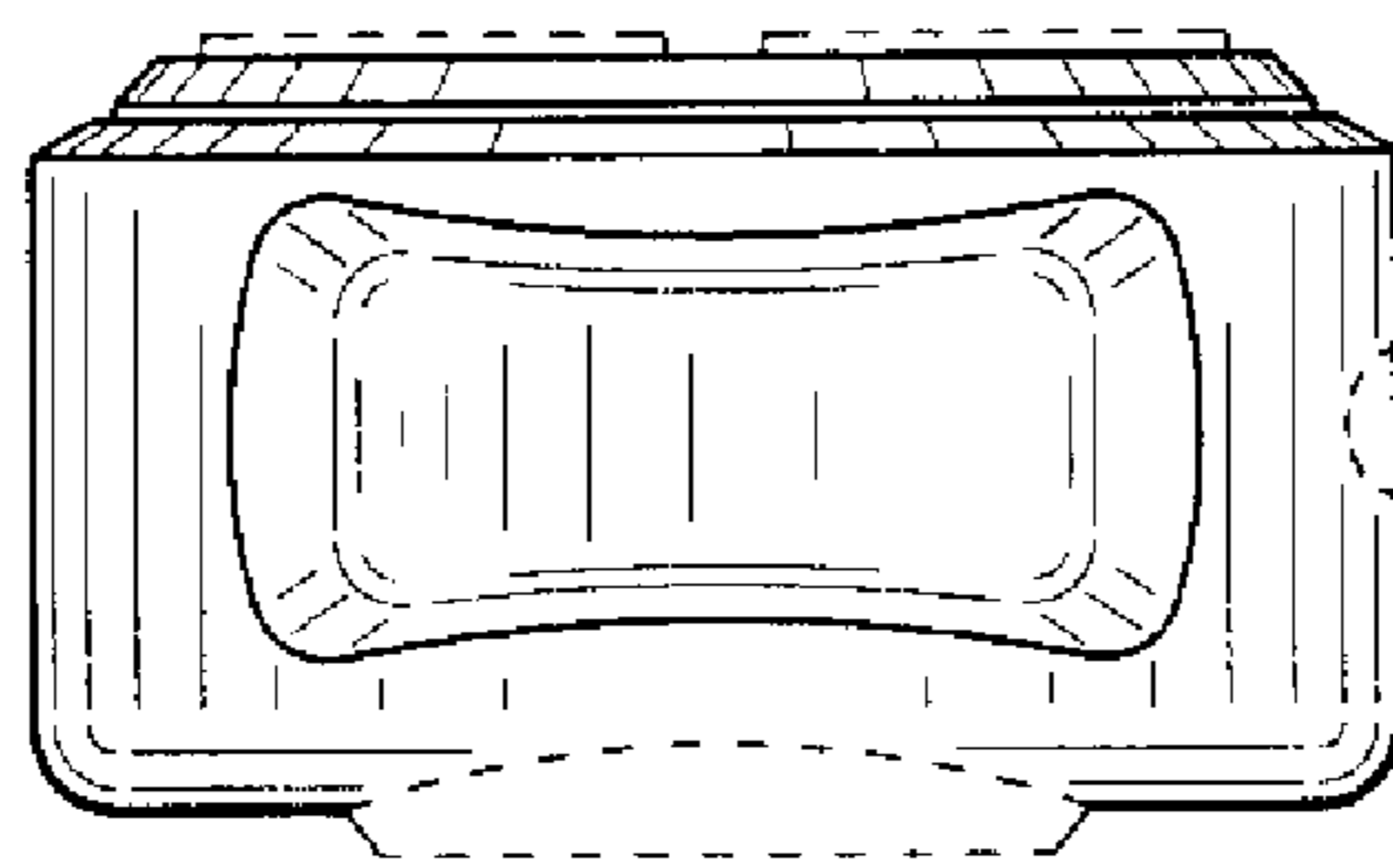


FIG. 8

