



US00D513230S

(12) **United States Design Patent**  
**Han et al.**

(10) **Patent No.: US D513,230 S**

(45) **Date of Patent: \*\* Dec. 27, 2005**

(54) **COMPUTER SIGNAL CABLE JACK**

(75) Inventors: **Beom-Ku Han**, Seoul (KR);  
**Jong-Seong Lee**, Seoul (KR)

(73) Assignee: **Samsung Electronics Co., Ltd.** (KR)

(\*\*) Term: **14 Years**

(21) Appl. No.: **29/204,351**

(22) Filed: **Apr. 28, 2004**

(30) **Foreign Application Priority Data**

Oct. 30, 2003 (KR) ..... 30-2003-0030461

(51) **LOC (6) Cl. .... 13-03**

(52) **U.S. Cl. .... D13/147**

(58) **Field of Search** ..... D13/133, 146,  
D13/147, 153-154, 184, 199; 439/353,  
357-358, 362, 372, 558, 606-610, 731

(56) **References Cited**

**U.S. PATENT DOCUMENTS**

D297,530 S \* 9/1988 Cooper ..... D13/147  
D298,121 S \* 10/1988 Furuhashi ..... D13/146

D424,016 S \* 5/2000 Gipson et al. .... D13/133  
D459,703 S \* 7/2002 Aldridge ..... D13/147  
D460,050 S \* 7/2002 Haines et al. .... D13/147  
D496,632 S \* 9/2004 David et al. .... D13/147  
D503,153 S \* 3/2005 Suckle et al. .... D13/154

\* cited by examiner

*Primary Examiner*—Stella Reid

*Assistant Examiner*—Daniel Bui

(74) *Attorney, Agent, or Firm*—Cantor Colburn LLP

(57) **CLAIM**

We claim, the ornamental design for a computer signal cable jack, as shown and described.

**DESCRIPTION**

FIG. 1 is a perspective view of a computer signal cable jack, showing our new design;  
FIG. 2 is a front elevation view thereof, the rear elevation view is a mirror image thereto;  
FIG. 3 is a left side elevation view thereof, the right side elevation view is a mirror image thereto;  
FIG. 4 is a top plan view thereof; and,  
FIG. 5 is a bottom plan view thereof.

**1 Claim, 3 Drawing Sheets**

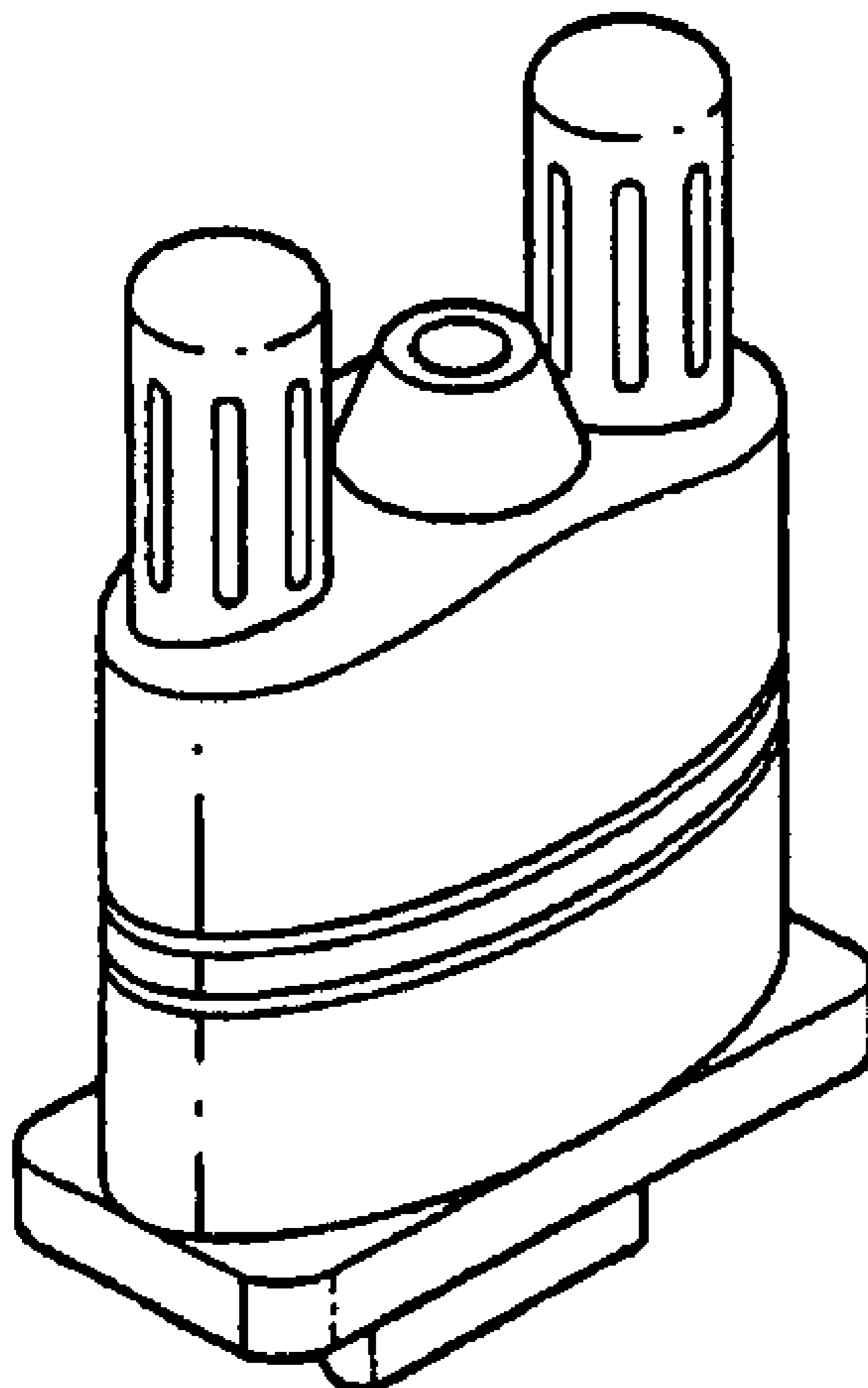


FIG. 1

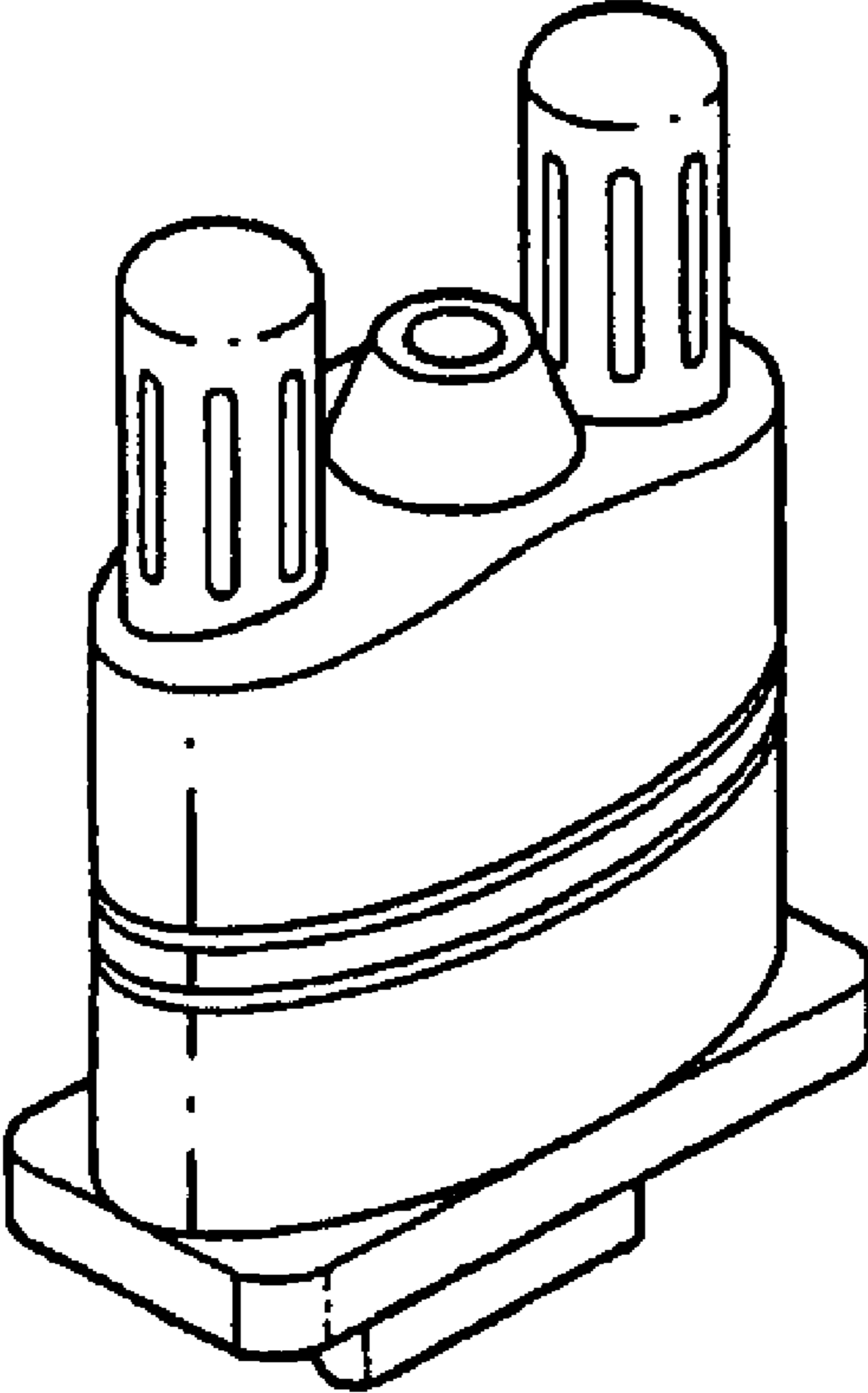


FIG. 2

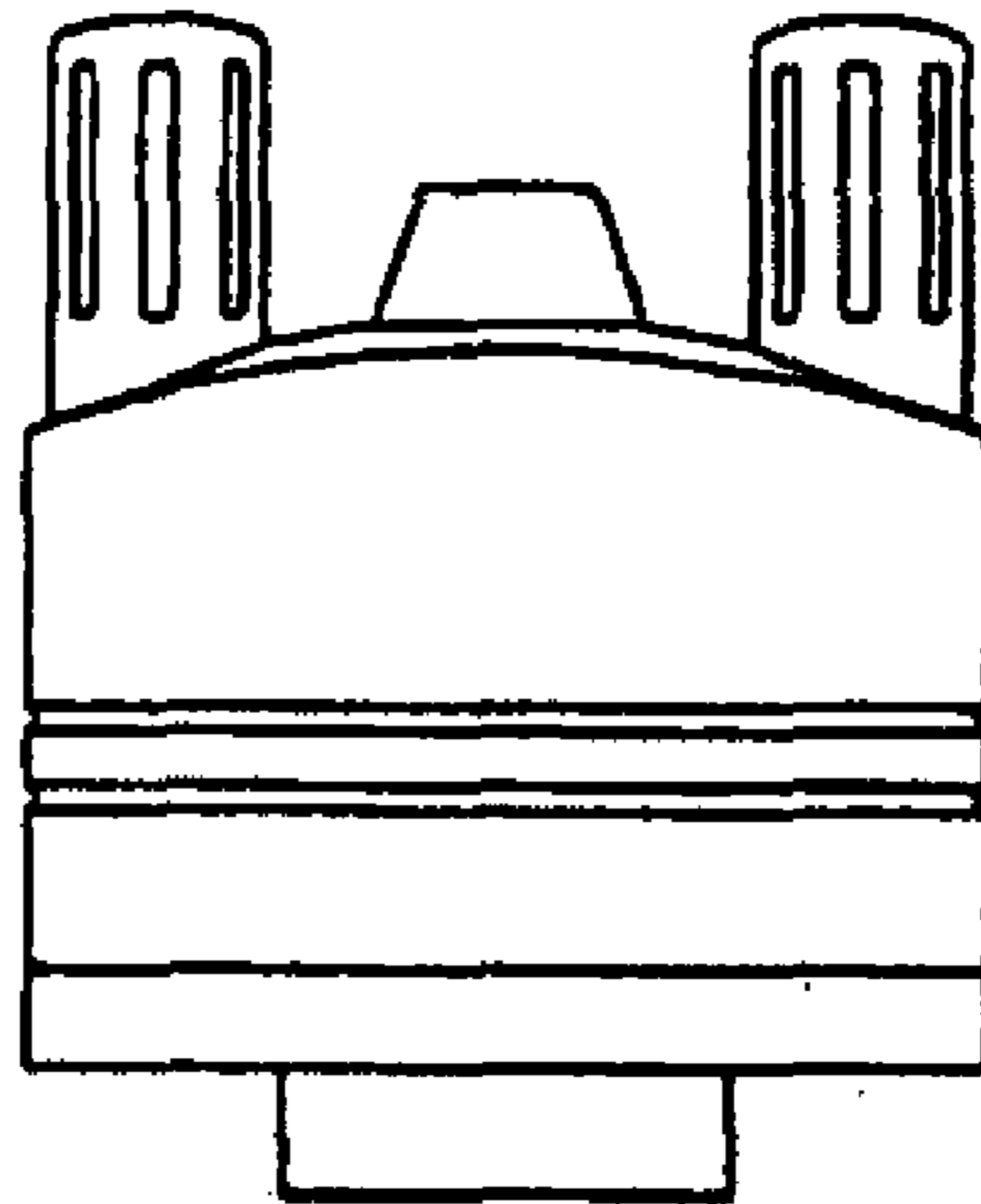


FIG. 3

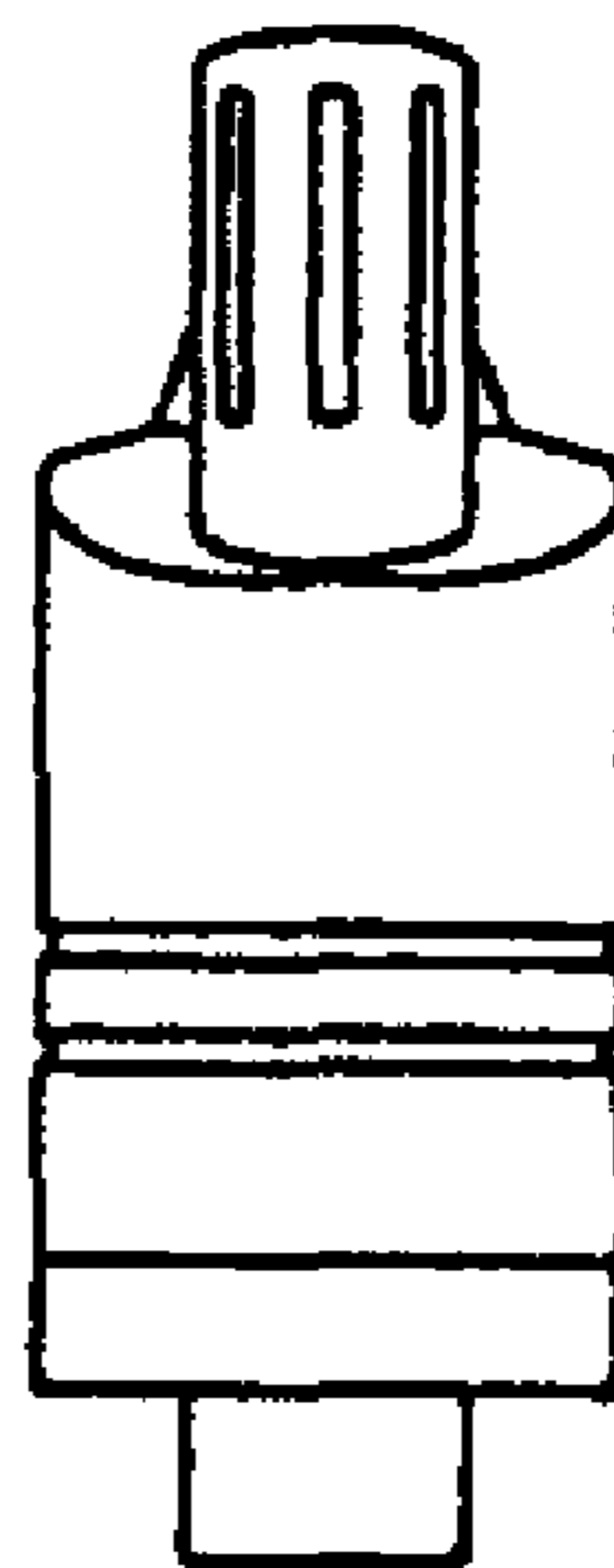


FIG. 4

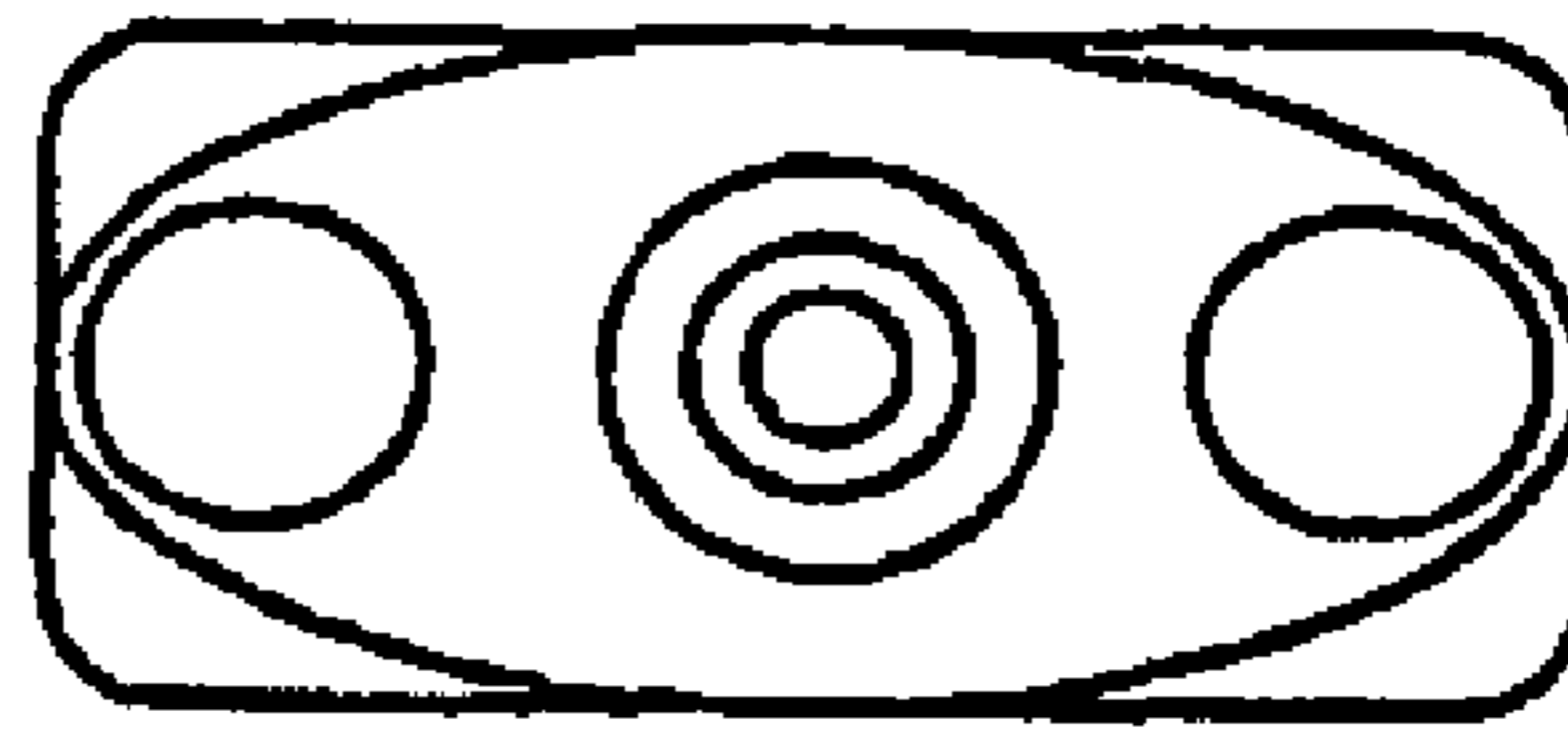


FIG. 5

