



US00D513226S

(12) **United States Design Patent**
Sancer

(10) **Patent No.:** **US D513,226 S**

(45) **Date of Patent:** **** Dec. 27, 2005**

(54) **TRUCK TONNEAU**

(75) **Inventor:** **Derek S. Sancer**, Argyle, TX (US)

(73) **Assignee:** **Custom Fibreglass Manufacturing Co.**, Long Beach, CA (US)

(**) **Term:** **14 Years**

(21) **Appl. No.:** **29/226,784**

(22) **Filed:** **Apr. 1, 2005**

(51) **LOC (6) Cl.** **12-16**

(52) **U.S. Cl.** **D12/401**

(58) **Field of Search** D12/401, 404,
D12/414.1, 406; 280/770, 847; 150/154,
166; 160/26, 32, 130, 133, 36; 296/98-100,
101, 100.1, 100.2, 100.6, 39.1, 39.2

(56) **References Cited**

U.S. PATENT DOCUMENTS

D224,704 S	*	9/1972	Hill	D12/401
D310,987 S	*	10/1990	Law et al.	D12/401
D312,065 S	*	11/1990	Karrer	D12/404
D319,203 S	*	8/1991	Tisten et al.	D12/401
D335,850 S	*	5/1993	Cyrson	D12/401

D343,602 S	*	1/1994	Brown	D12/401
D350,108 S	*	8/1994	Blanchard	D12/401
5,951,095 A	*	9/1999	Herndon	296/100.1
D424,509 S	*	5/2000	Meyers	D12/401
D438,507 S	*	3/2001	Herndon	D12/401
D444,762 S	*	7/2001	Werle et al.	D12/401

* cited by examiner

Primary Examiner—Stacia Cadmus

(74) *Attorney, Agent, or Firm*—Fulwider Patton Lee & Utecht, LLP

(57) **CLAIM**

The ornamental design for a truck tonneau, as shown and described.

DESCRIPTION

FIG. 1 is a perspective view of a truck tonneau showing my new design;

FIG. 2 is a top plan view thereof;

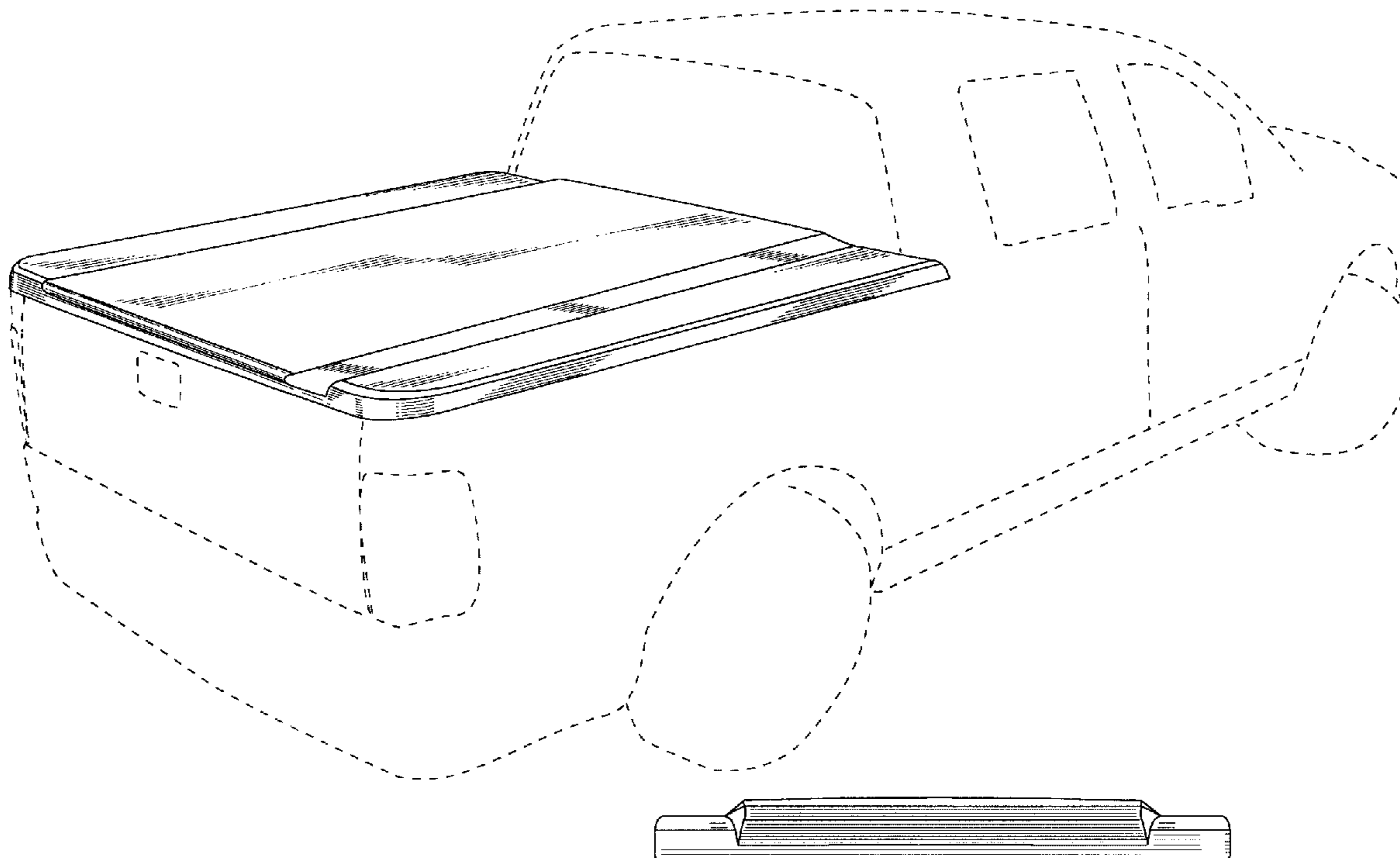
FIG. 3 is a rear plan view thereof;

FIG. 4 is a front plan view thereof; and,

FIG. 5 is a side plan view thereof.

The broken line showing of environment is for illustrative purposes only and forms no part of the claimed design.

1 Claim, 3 Drawing Sheets



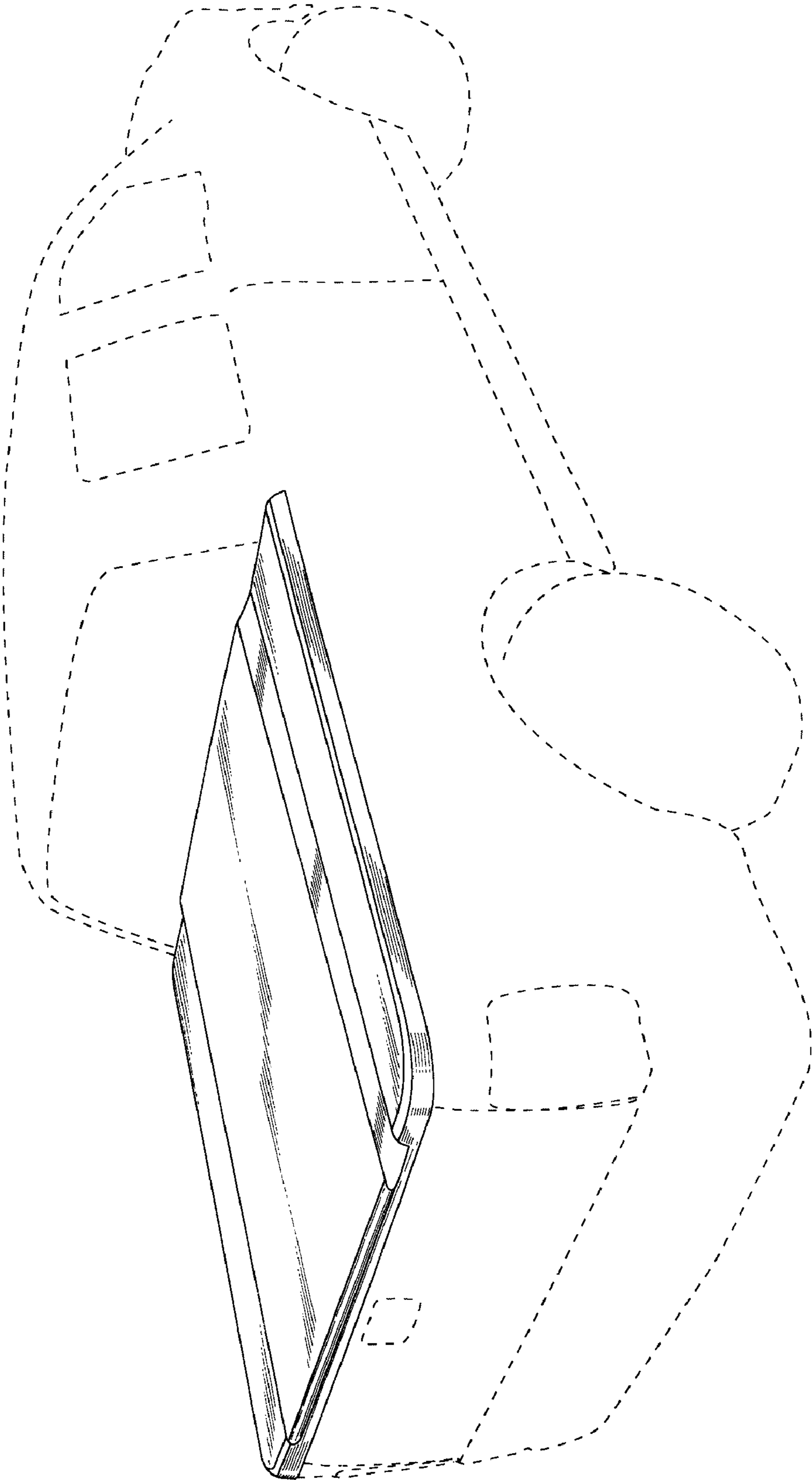


FIG. 1

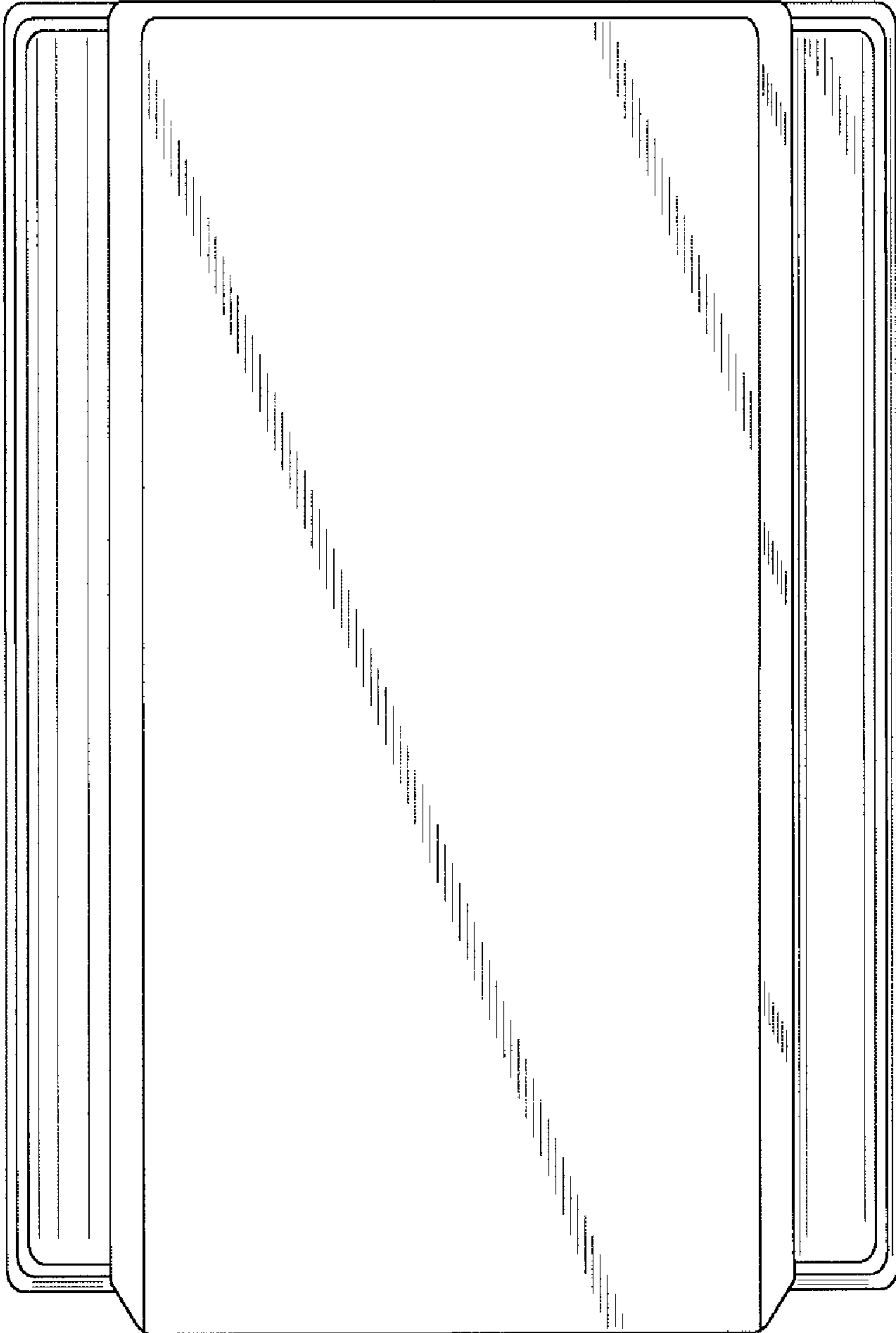


FIG. 2

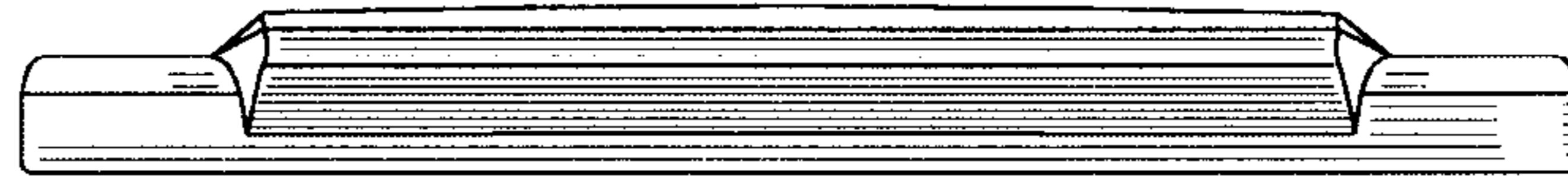


FIG. 3

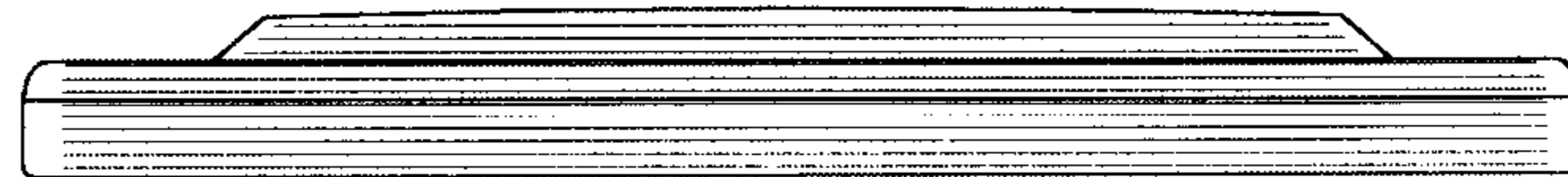


FIG. 4

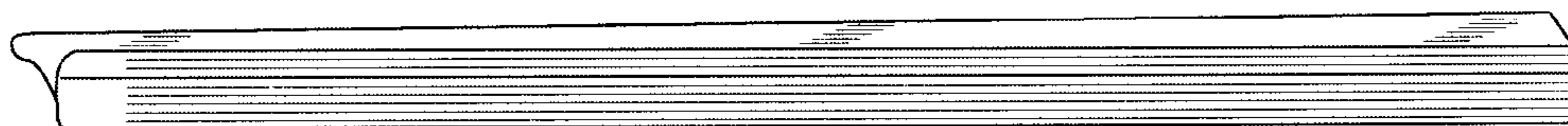


FIG. 5