



US00D513224S

(12) **United States Design Patent**
Powers

(10) **Patent No.:** **US D513,224 S**

(45) **Date of Patent:** **** Dec. 27, 2005**

(54) **PONTOON BOAT**

(76) **Inventor:** **Timothy D. Powers**, 3024 47th St.,
Sarasota, FL (US) 34234

(**) **Term:** **14 Years**

(21) **Appl. No.:** **29/196,266**

(22) **Filed:** **Dec. 22, 2003**

(51) **LOC (6) Cl.** **12-06**

(52) **U.S. Cl.** **D12/300**

(58) **Field of Search** D12/300, 304,
D12/306, 316; 114/60, 61.1-61.3; D21/236,
237; 441/35, 39, 40, 43, 45, 129, 130, 132

(56) **References Cited**

U.S. PATENT DOCUMENTS

4,562,786 A *	1/1986	Pruonto	114/61.22
4,829,926 A *	5/1989	Voelkel	114/61.22
5,056,448 A *	10/1991	Miller, Sr.	114/61.22
5,237,954 A *	8/1993	Evans	114/352
D355,633 S *	2/1995	Whitney	D12/316

D374,264 S *	10/1996	Peterson	D21/803
5,651,706 A *	7/1997	Kasper	440/29
5,706,754 A *	1/1998	Menne, Jr.	114/364

* cited by examiner

Primary Examiner—Holly Baynham

Assistant Examiner—Cynthia M. Chin

(74) *Attorney, Agent, or Firm*—Charles J. Prescott

(57) **CLAIM**

The ornamental design for a pontoon boat, as shown and described.

DESCRIPTION

FIG. 1 is a perspective view of a pontoon boat showing my new design;

FIG. 2 is a right side elevational view thereof;

FIG. 3 is a left side elevational view thereof;

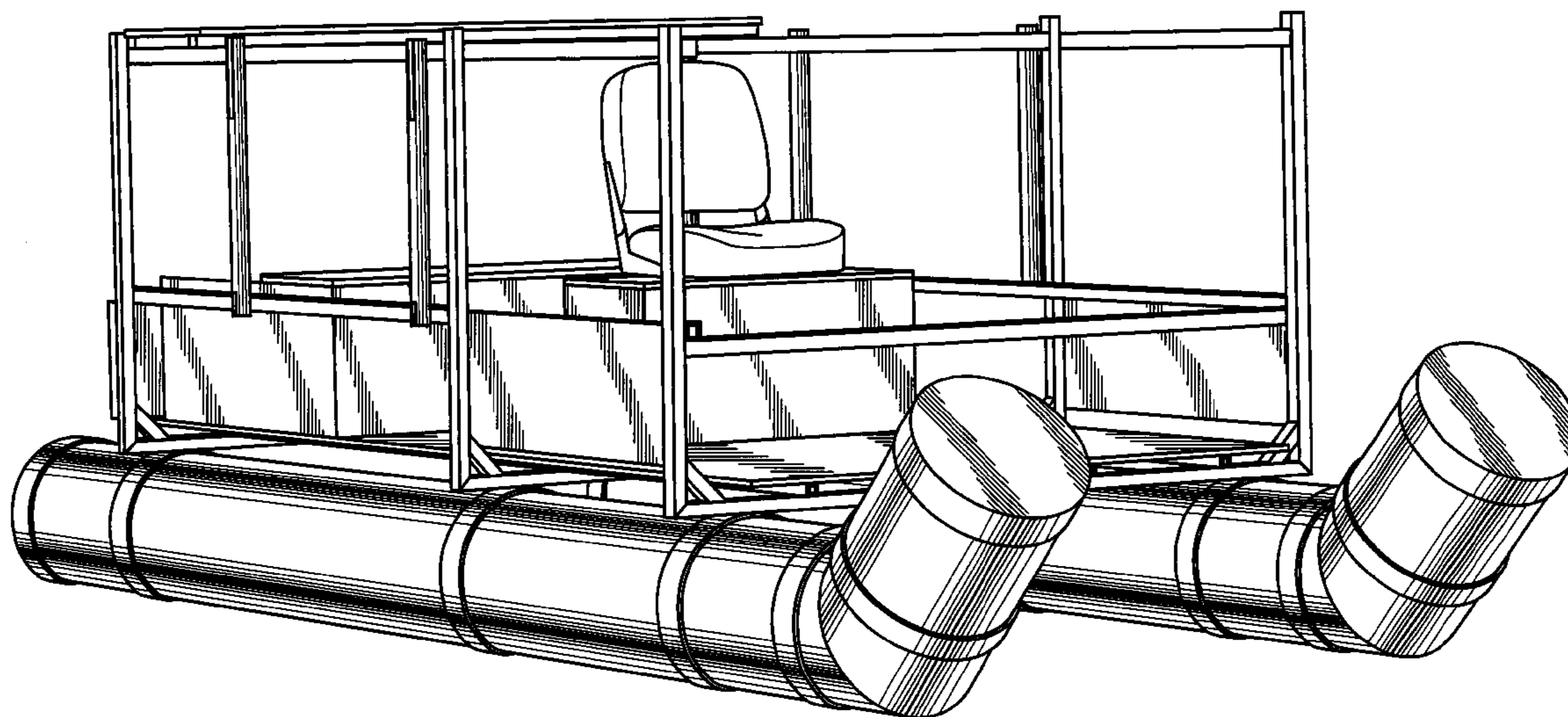
FIG. 4 is a front elevational view thereof;

FIG. 5 is a rear elevational view thereof; and,

FIG. 6 is a top plan view thereof.

The bottom plan view forms no part of the claimed design.

1 Claim, 4 Drawing Sheets



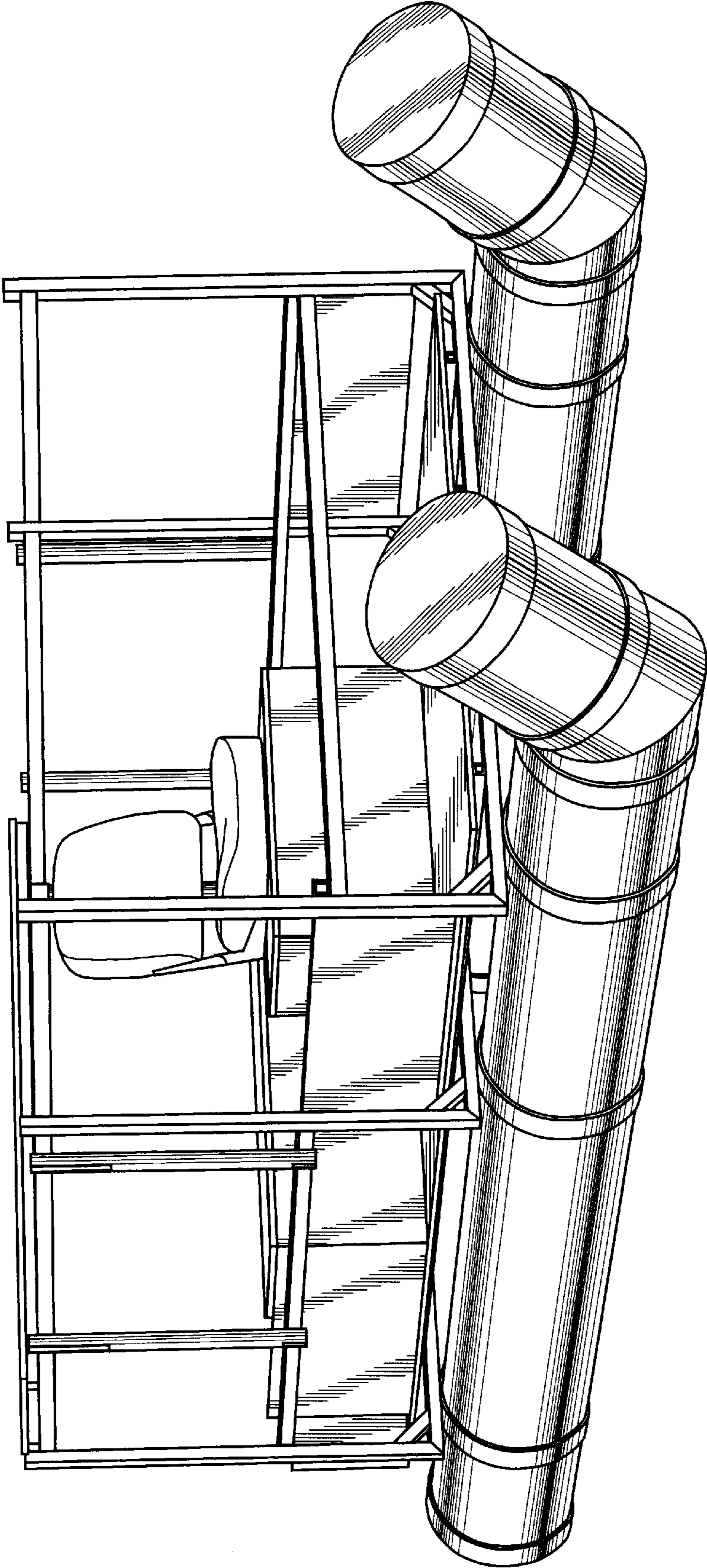
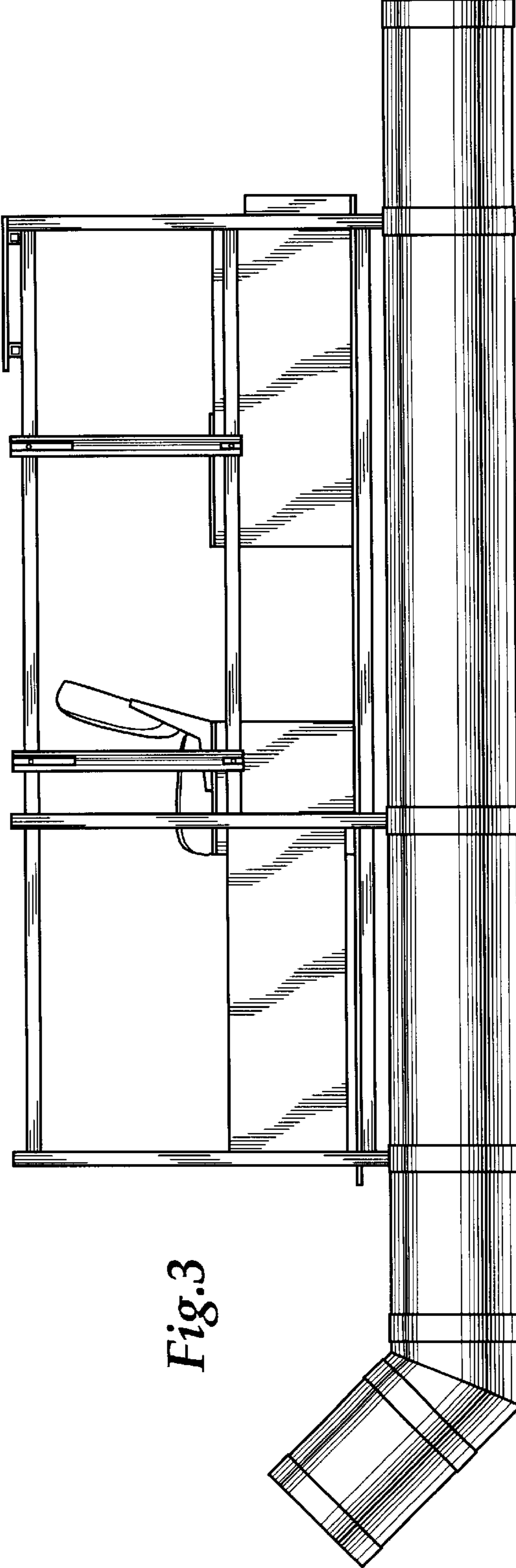
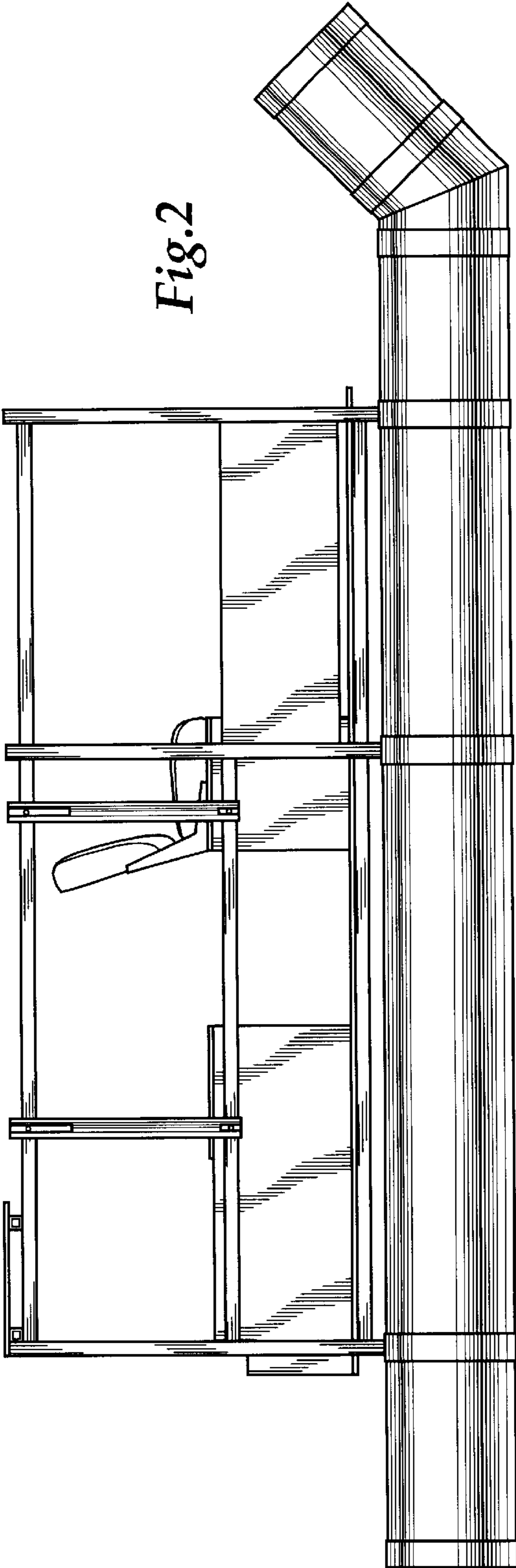


Fig.1



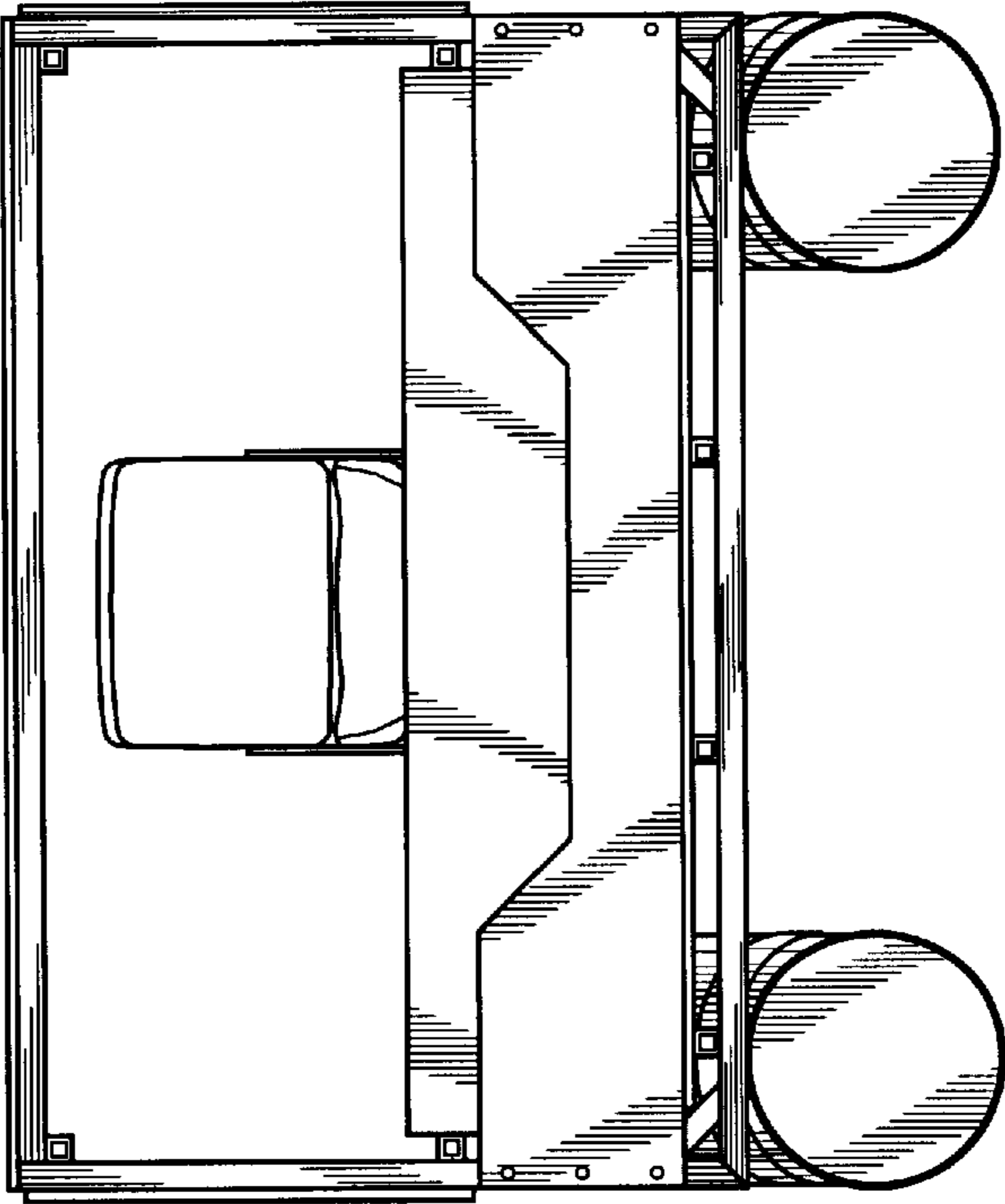


Fig.5

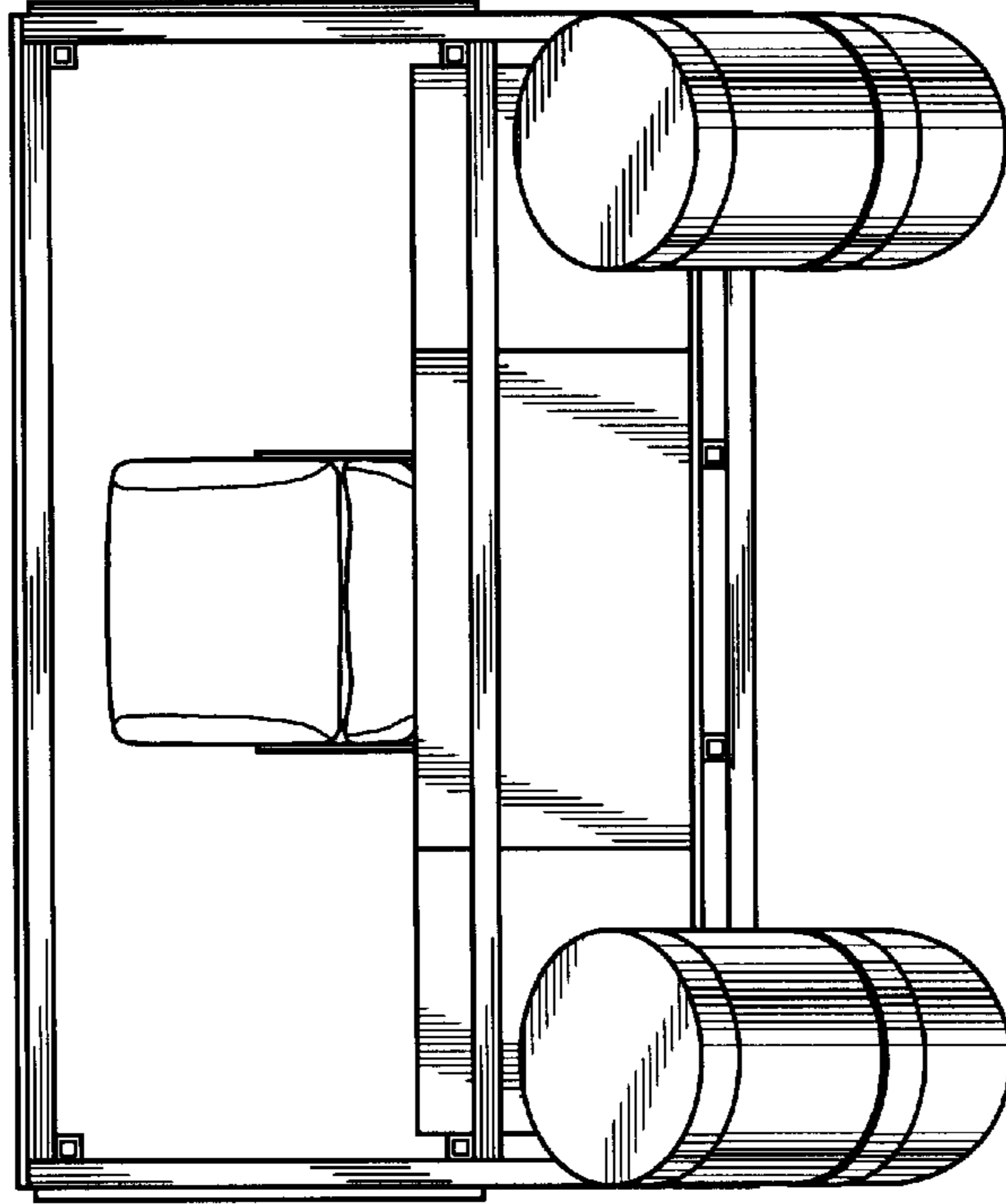


Fig.4

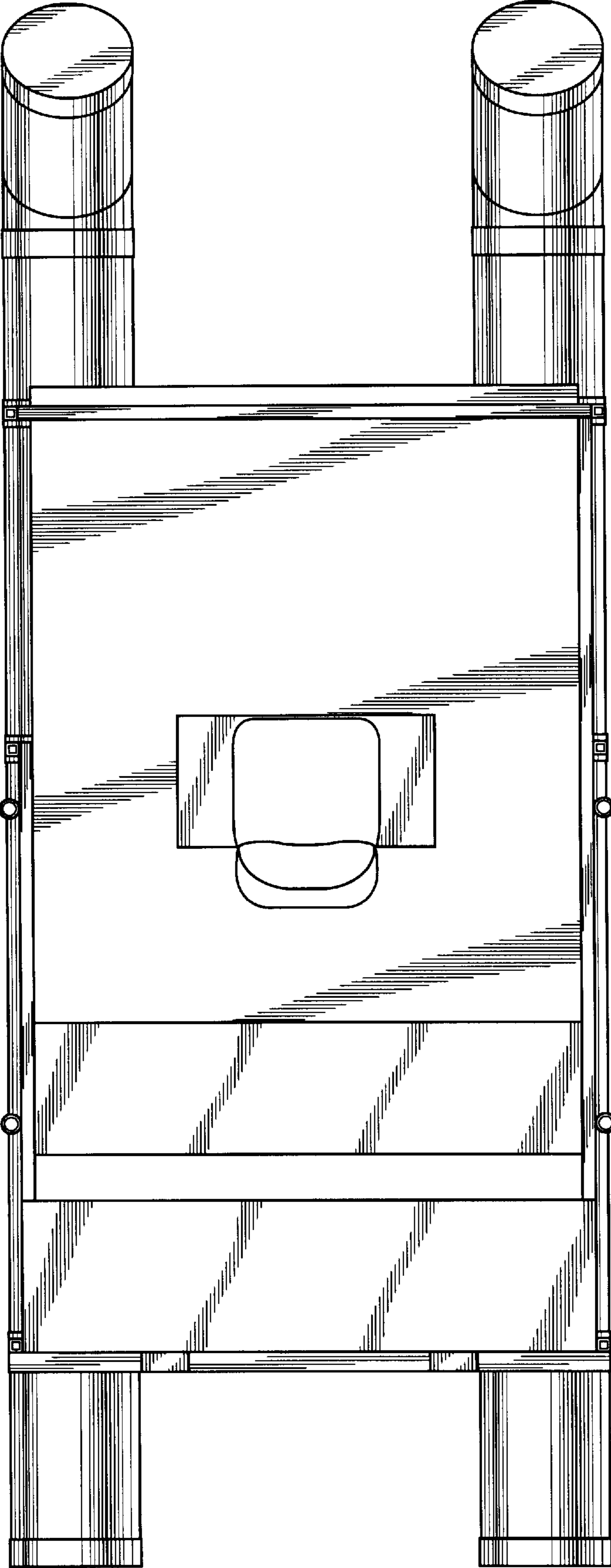


Fig. 6