



US00D513222S

(12) **United States Design Patent**
Pohanka

(10) **Patent No.:** **US D513,222 S**
(45) **Date of Patent:** **** Dec. 27, 2005**

(54) **FRONT FACE OF A VEHICLE WHEEL**

(75) **Inventor:** **Martin Pohanka, Stuttgart (DE)**

(73) **Assignee:** **Dr. Ing. h.c.F. Porsche
Aktiengesellschaft, Stuttgart (DE)**

(**) **Term:** **14 Years**

(21) **Appl. No.:** **29/224,361**

(22) **Filed:** **Mar. 2, 2005**

(30) **Foreign Application Priority Data**

Sep. 3, 2004 (DE) 4 04 05 015

(51) **LOC (6) Cl.** **12-16**

(52) **U.S. Cl.** **D12/211**

(58) **Field of Search** D12/204-213;
301/37.101, 64.01, 65

(56) **References Cited**

U.S. PATENT DOCUMENTS

- D258,503 S * 3/1981 Semple D12/211
- D392,611 S * 3/1998 Echazabal et al. D12/211
- D407,056 S * 3/1999 Hodges et al. D12/211
- D447,993 S * 9/2001 Neeper D12/211

- D451,463 S * 12/2001 Murkett et al. D12/209
- D456,333 S * 4/2002 Pollmann D12/211
- D459,688 S * 7/2002 Wiesinger D12/211
- D466,854 S * 12/2002 Kern D12/211
- D475,337 S * 6/2003 Kataoka D12/209
- D497,866 S * 11/2004 Walbey, Jr. D12/209
- D499,371 S * 12/2004 Koch D12/211
- D504,380 S * 4/2005 Kushartanto D12/209

* cited by examiner

Primary Examiner—Stacia Cadmus

(74) *Attorney, Agent, or Firm*—Crowell & Moring LLP

(57) **CLAIM**

The ornamental design for a front face of a vehicle wheel, as shown and described.

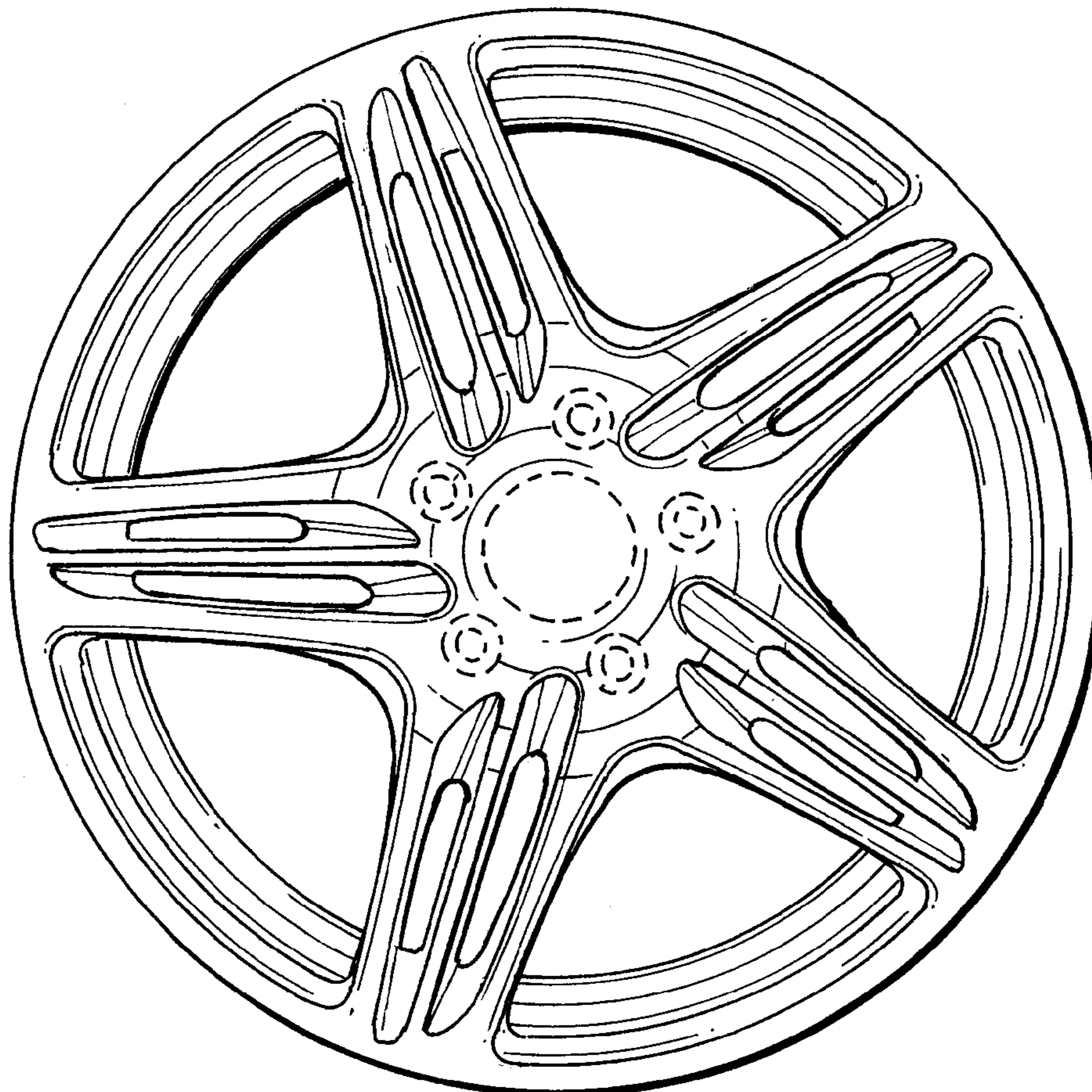
DESCRIPTION

FIG. 1 is a front view of a front face of a vehicle wheel according to my novel design; and,

FIG. 2 is a perspective view of the front face of a vehicle wheel according to my novel design.

The broken lines are for illustrative purposes only and form no part of the claimed design.

1 Claim, 1 Drawing Sheet



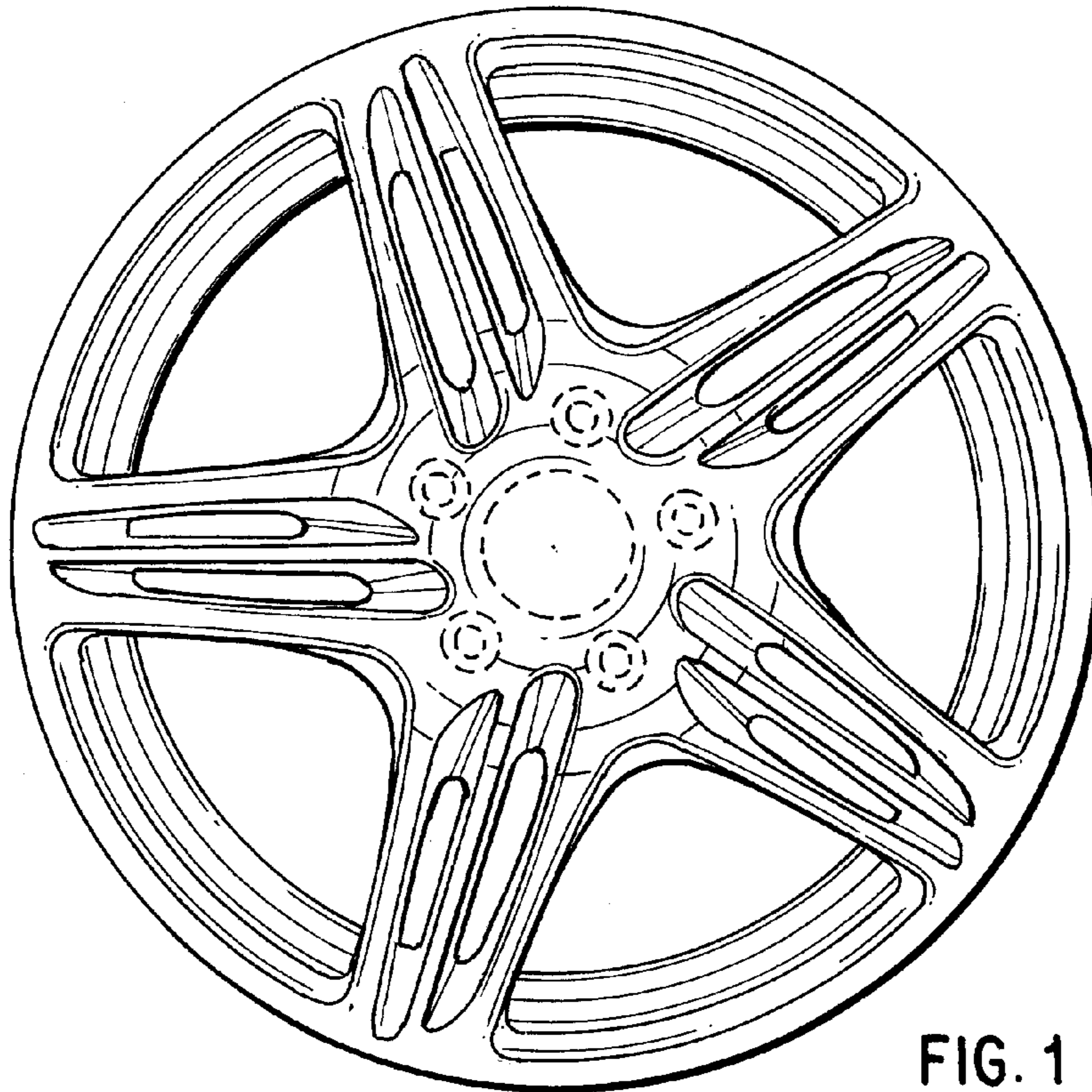


FIG. 1

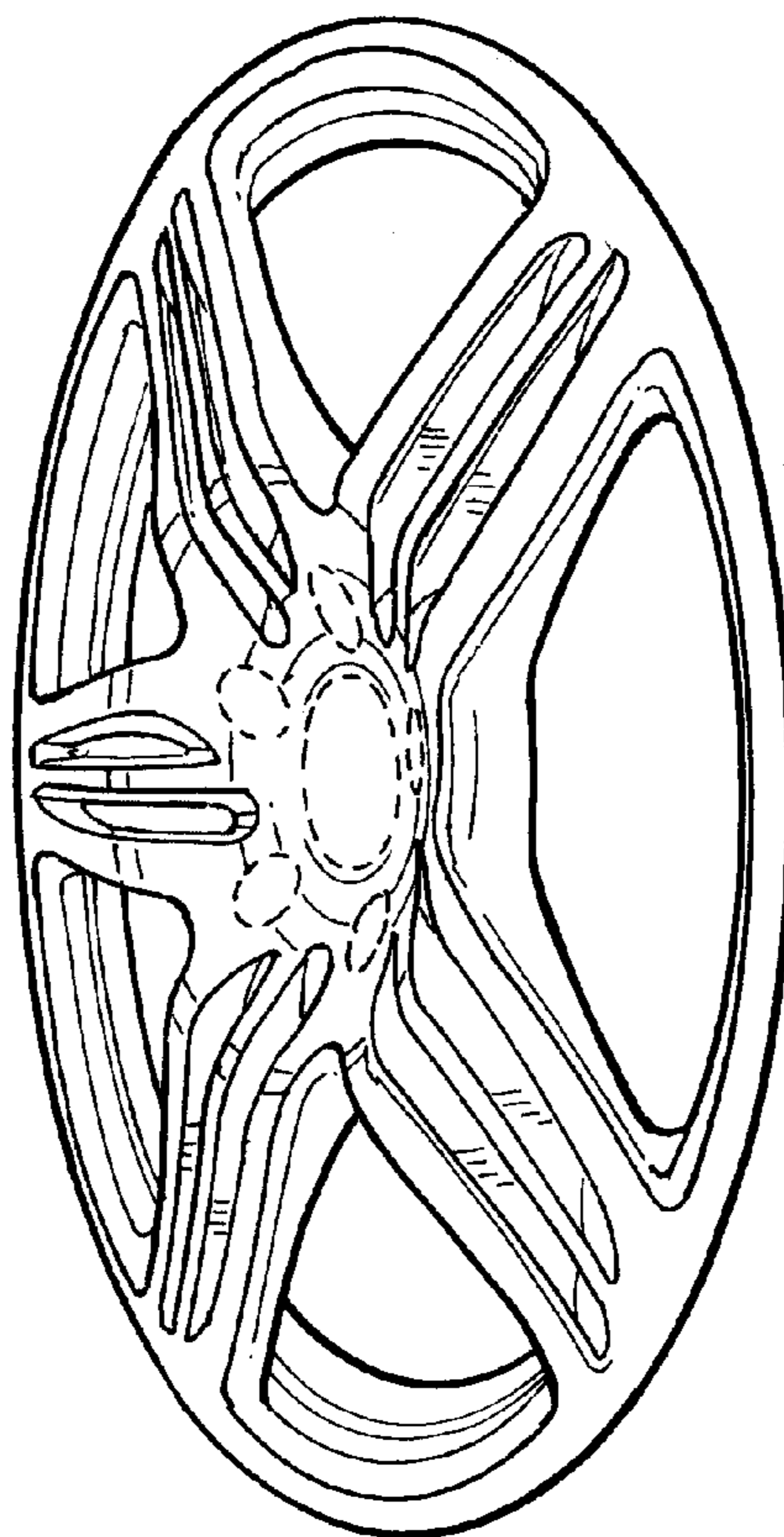


FIG. 2