



US00D513221S

(12) **United States Design Patent**  
**Pfeiffer**

(10) **Patent No.: US D513,221 S**

(45) **Date of Patent: \*\* Dec. 27, 2005**

(54) **FRONT FACE OF A VEHICLE WHEEL**

(75) **Inventor: Peter Pfeiffer, Boeblingen (DE)**

(73) **Assignee: DaimlerChrysler AG, Stuttgart (DE)**

(\*\*) **Term: 14 Years**

(21) **Appl. No.: 29/204,741**

(22) **Filed: May 4, 2004**

(30) **Foreign Application Priority Data**

Nov. 5, 2003 (DE) ..... 4 03 07 043

(51) **LOC (6) Cl. .... 12-16**

(52) **U.S. Cl. .... D12/211**

(58) **Field of Search ..... D12/204-213;**  
301/37.101, 64.101, 65

(56) **References Cited**

**U.S. PATENT DOCUMENTS**

- D396,839 S \* 8/1998 Cullen ..... D12/211
- D412,693 S \* 8/1999 Kulla ..... D12/211
- D423,446 S \* 4/2000 Chung ..... D12/211

- D466,852 S \* 12/2002 Pfeiffer et al. .... D12/211
- D480,672 S \* 10/2003 Pfeiffer et al. .... D12/209
- D499,681 S \* 12/2004 Boyer ..... D12/209
- D503,917 S \* 4/2005 Kushartanto ..... D12/209
- D504,649 S \* 5/2005 Pfeiffer ..... D12/209
- D504,858 S \* 5/2005 Pfeiffer ..... D12/209

\* cited by examiner

*Primary Examiner*—Stacia Cadmus

(74) *Attorney, Agent, or Firm*—Crowell & Moring LLP

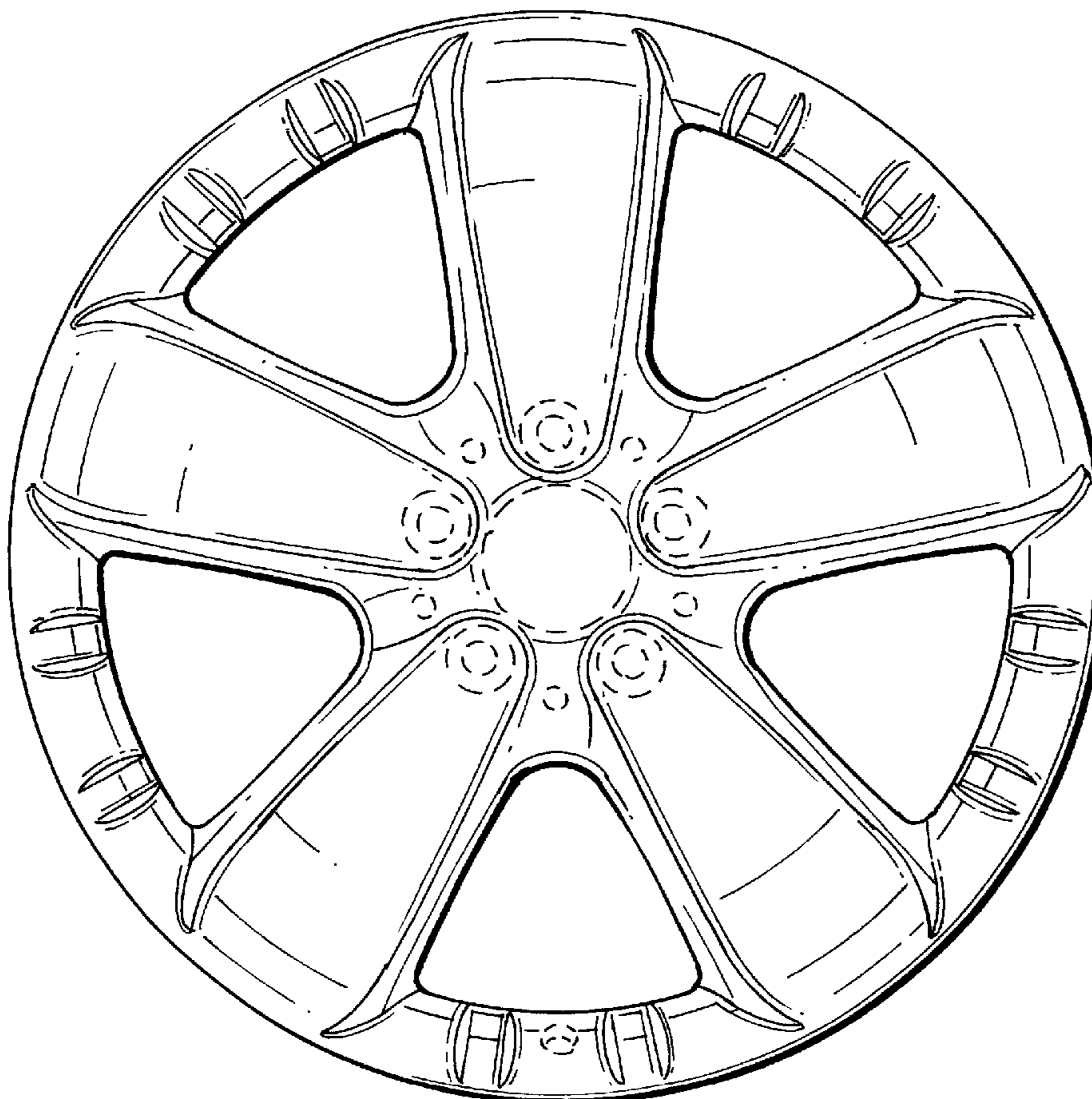
(57) **CLAIM**

The ornamental design for a front face of a vehicle wheel, as shown and described.

**DESCRIPTION**

FIG. 1 is a front view of a front face of a vehicle wheel according to my novel design; and, FIG. 2 is a perspective view of the front face of a vehicle wheel according to my novel design. The broken lines are for illustrative purposes only and form no part of the claimed design.

**1 Claim, 1 Drawing Sheet**



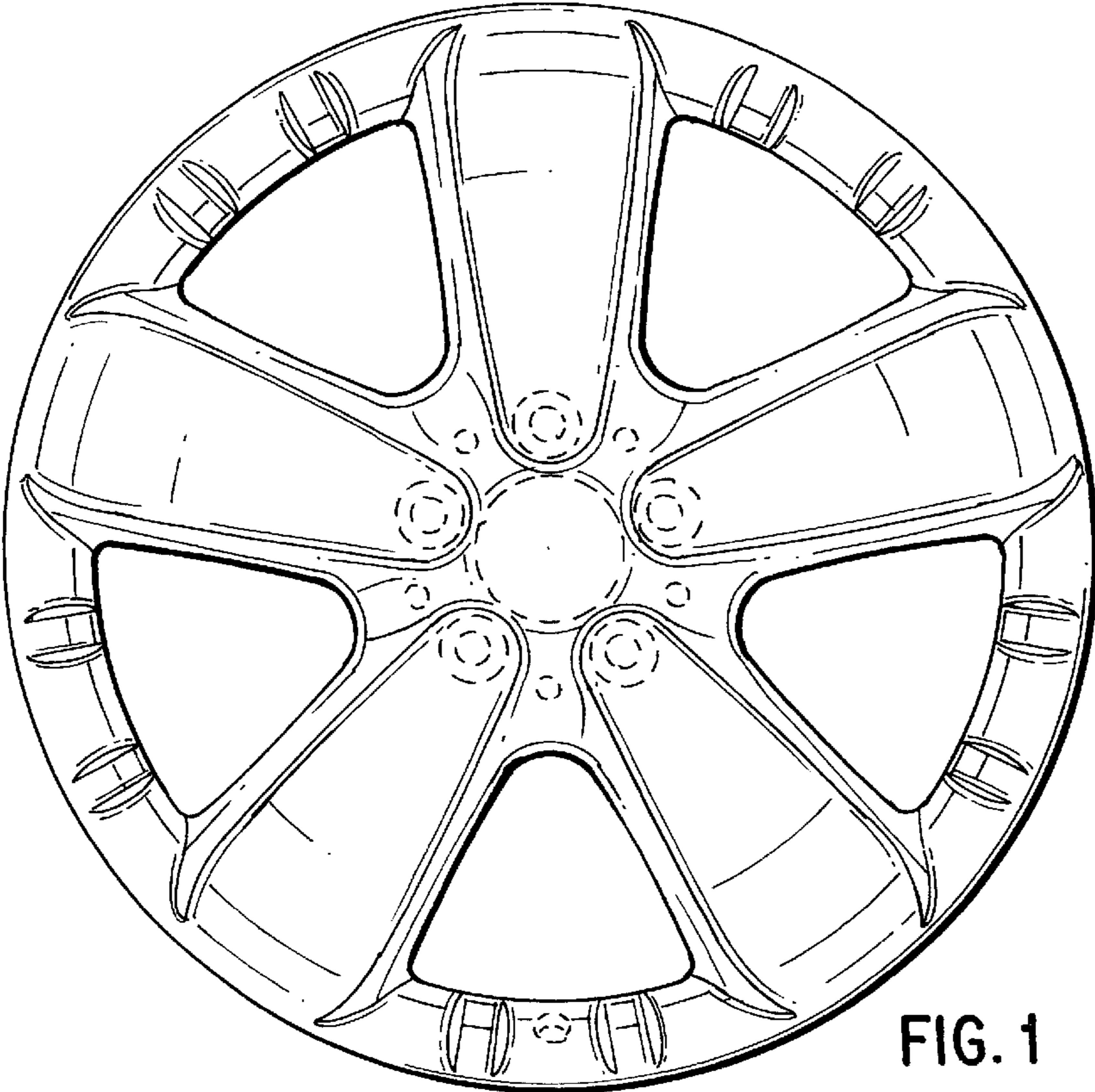


FIG. 1

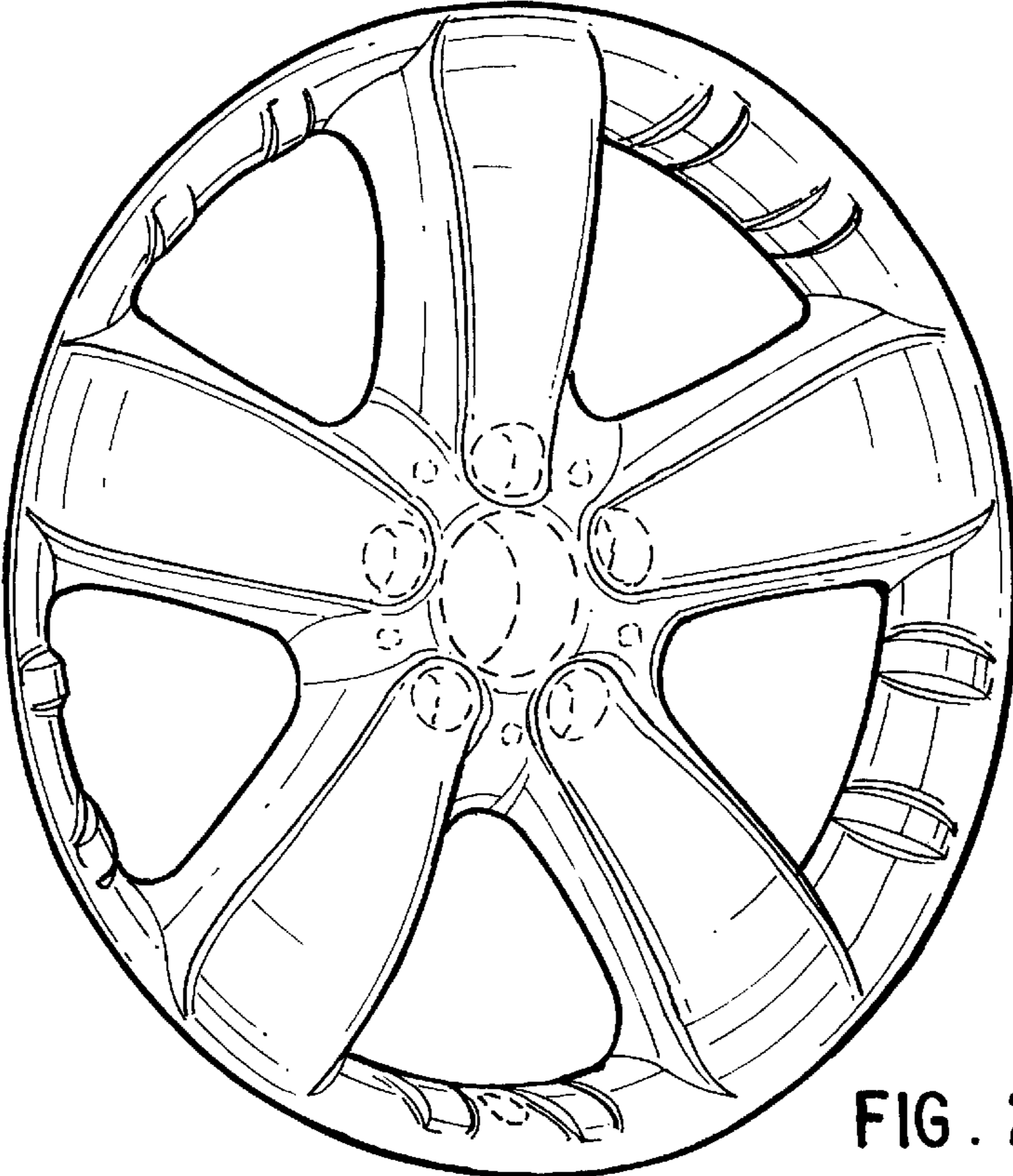


FIG. 2