



US00D513218S

(12) **United States Design Patent**
Fitzgerald

(10) **Patent No.:** **US D513,218 S**

(45) **Date of Patent:** **** Dec. 27, 2005**

(54) **MOTOR VEHICLE WHEEL FRONT FACE**

(75) **Inventor:** **Kevin Fitzgerald**, Long Beach, CA
(US)

(73) **Assignee:** **KMC Products, Inc.**, Rancho
Dominguez, CA (US)

(**) **Term:** **14 Years**

(21) **Appl. No.:** **29/210,261**

(22) **Filed:** **Jul. 28, 2004**

(51) **LOC (6) Cl.** **12-16**

(52) **U.S. Cl.** **D12/209**

(58) **Field of Search** D12/204-213;
301/37.101, 64.101, 65

(56) **References Cited**

U.S. PATENT DOCUMENTS

D235,432 S	*	6/1975	May	D12/211
D298,528 S	*	11/1988	Burke et al.	D12/211
D444,756 S	*	7/2001	Brintouch	D12/209
D464,306 S	*	10/2002	Chung	D12/209

D466,463 S	*	12/2002	Hodges	D12/209
D472,196 S	*	3/2003	Edwards, III	D12/209
D488,760 S	*	4/2004	Kato	D12/209
D494,121 S	*	8/2004	Sulahian	D12/209
D499,684 S	*	12/2004	Cheng	D12/209
D504,650 S	*	5/2005	Ishiwata	D12/209

* cited by examiner

Primary Examiner—Stacia Cadmus

(74) *Attorney, Agent, or Firm*—Dykema Gossett PLLC

(57) **CLAIM**

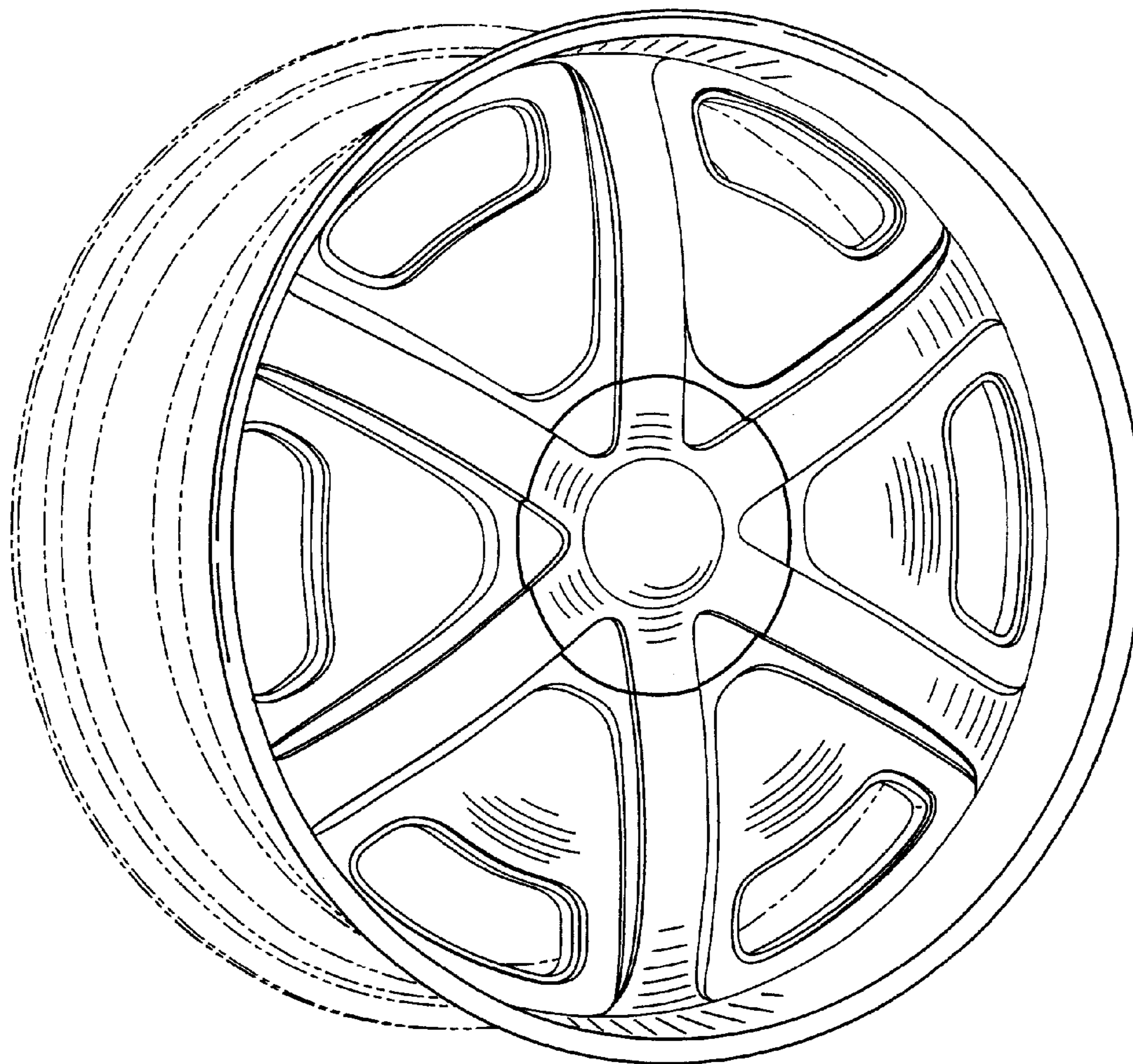
The ornamental design for a motor vehicle wheel front face, as shown and described.

DESCRIPTION

FIG. 1 is a front perspective view of a motor vehicle wheel front face showing my new design; and, FIG. 2 is a front elevational view of the motor vehicle wheel front face shown in FIG. 1.

The phantom line showing of environment is for illustrative purposes only and forms no part of the claimed design.

1 Claim, 2 Drawing Sheets



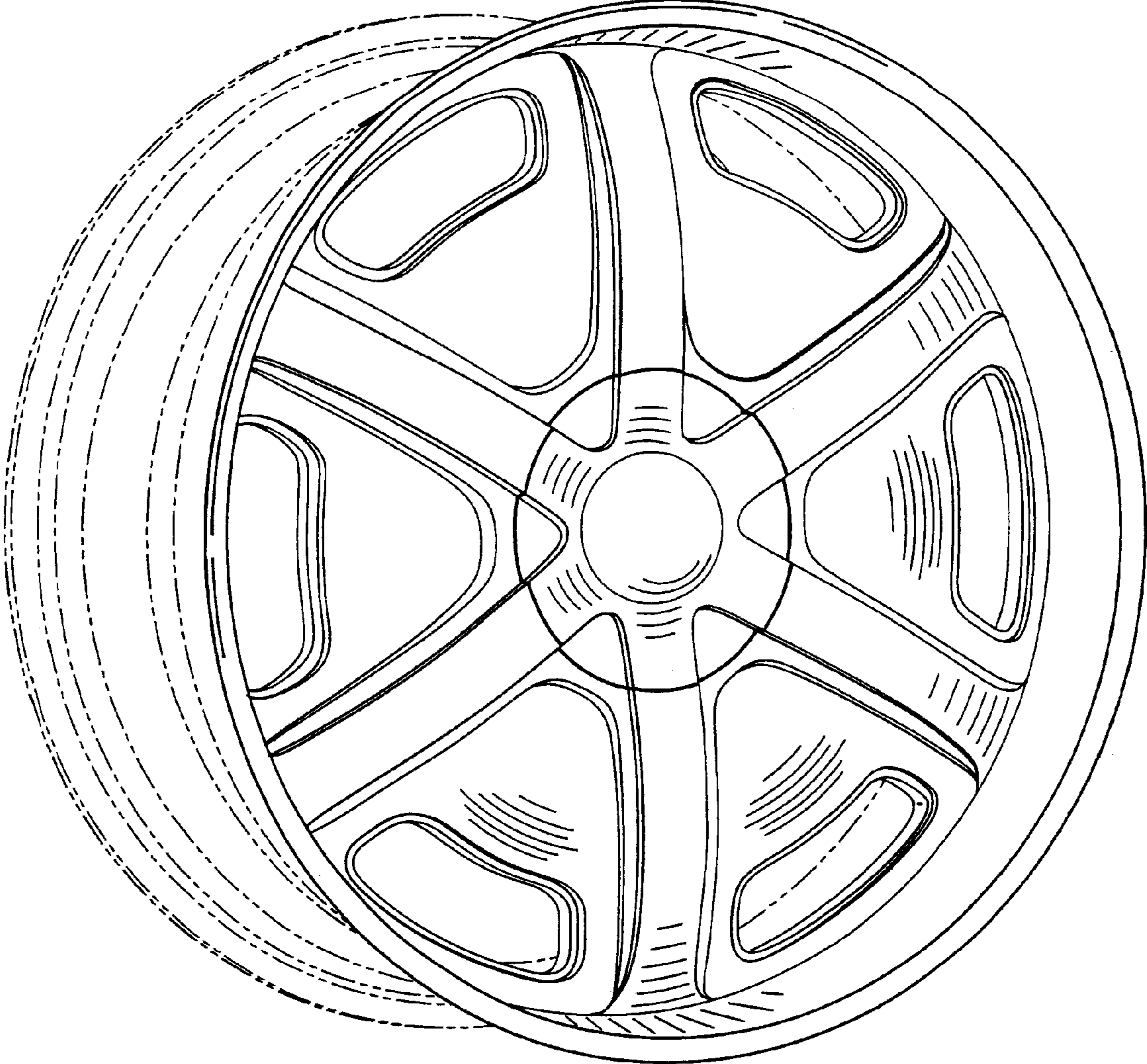


FIG. 1

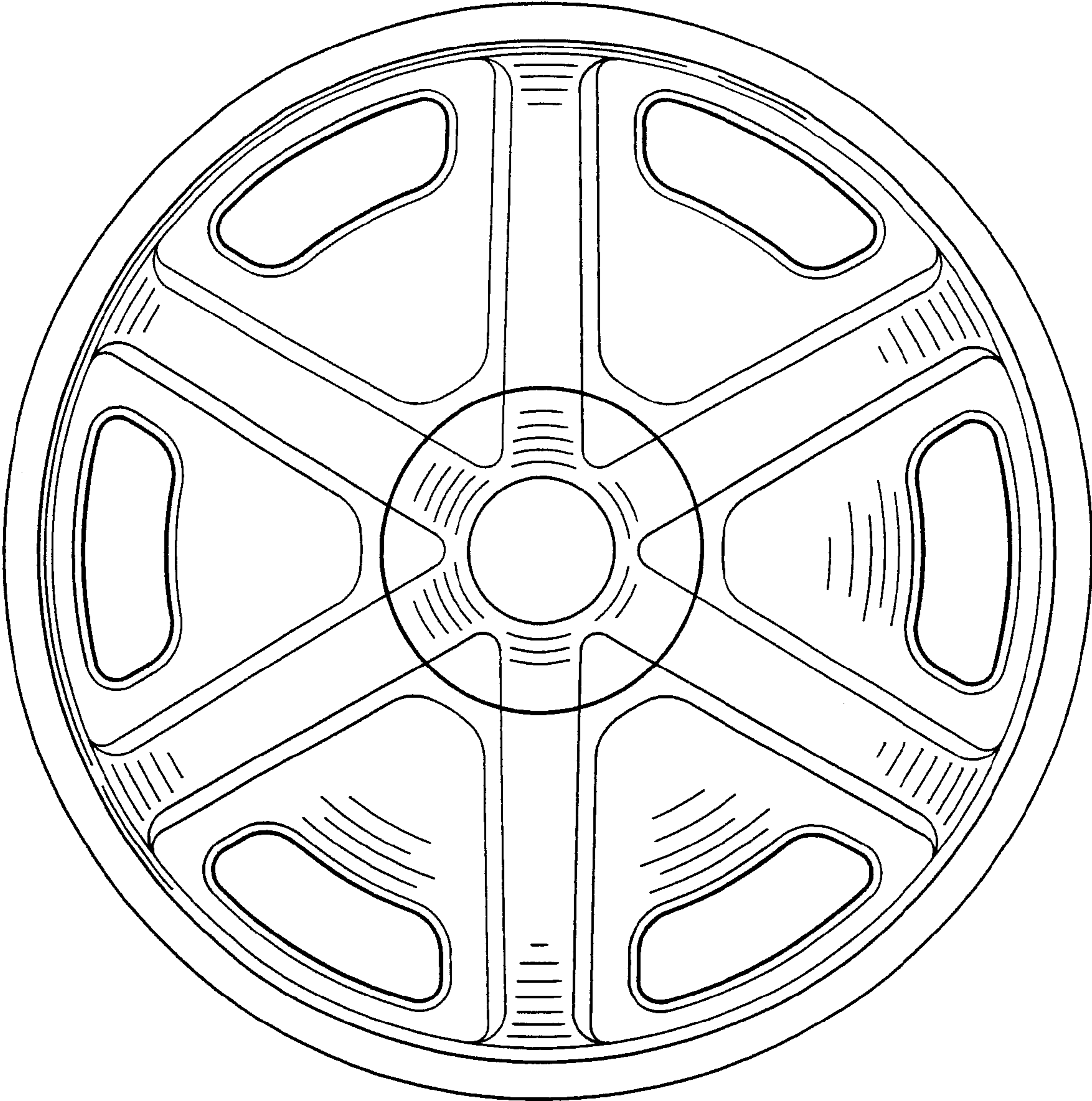


FIG. 2