



US00D513217S

(12) **United States Design Patent**  
**Daws et al.**

(10) **Patent No.:** **US D513,217 S**

(45) **Date of Patent:** **\*\* Dec. 27, 2005**

(54) **HITCH STEP**

(75) Inventors: **H. Clint Daws**, Gulf Breeze, FL (US);  
**Craig Maurice Harrison**, Gulf Breeze,  
FL (US)

(73) Assignee: **Daws Manufacturing Co., Inc.**,  
Pensacola, FL (US)

(\*\*) Term: **14 Years**

(21) Appl. No.: **29/230,109**

(22) Filed: **May 17, 2005**

(51) **LOC (6) Cl.** ..... **12-16**

(52) **U.S. Cl.** ..... **D12/203**

(58) **Field of Search** ..... D12/203, 162;  
280/163-164.1, 166, 169, 153.5, 848; 182/90-92;  
D25/68-69, 62; 428/81-82; 238/14

(56) **References Cited**

**U.S. PATENT DOCUMENTS**

D296,431 S \* 6/1988 Yont ..... D12/203  
D315,134 S \* 3/1991 Springer ..... D12/203  
D316,394 S \* 4/1991 Carr ..... D12/203

D370,452 S \* 6/1996 Beasley ..... D12/203  
D463,345 S \* 9/2002 Cipolla ..... D12/203  
D463,346 S \* 9/2002 Pancheri et al. .... D12/203  
D464,919 S \* 10/2002 Pichan ..... D12/162  
D491,509 S \* 6/2004 Bundy ..... D12/203  
D494,117 S \* 8/2004 Ruffin ..... D12/203

\* cited by examiner

*Primary Examiner*—Stacia Cadmus

(74) *Attorney, Agent, or Firm*—Holland & Knight LLP

(57) **CLAIM**

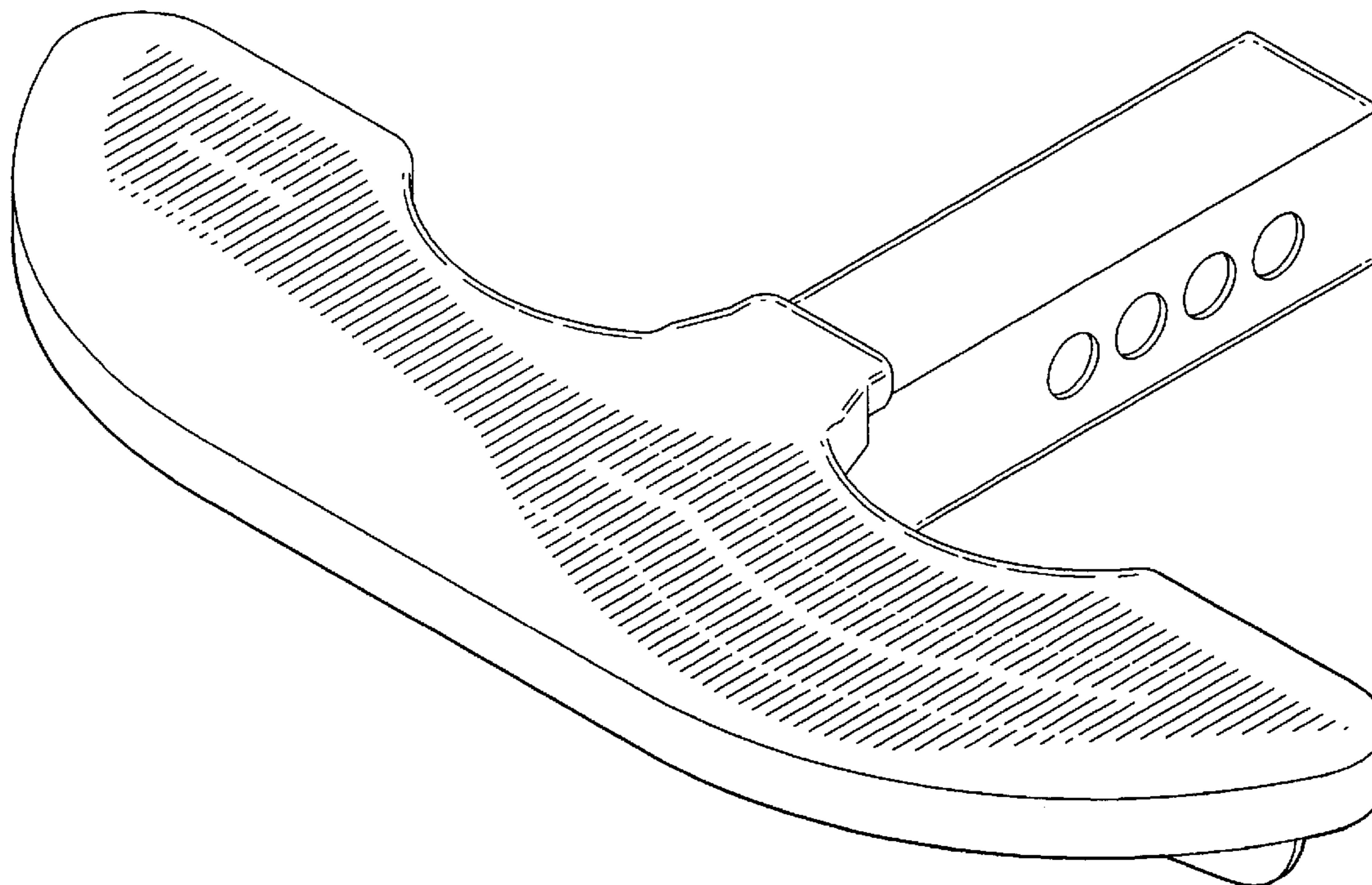
The ornamental design for a hitch step, as shown and described.

**DESCRIPTION**

FIG. 1 is a perspective view of my ornamental design for a hitch step;  
FIG. 2 is front view thereof;  
FIG. 3 is a rear view thereof;  
FIG. 4 is a side view thereof;  
FIG. 5 is a top plan view thereof; and,  
FIG. 6 is a bottom thereof.

The hitch step is shown on a reduced scale in FIGS. 2-6.

**1 Claim, 3 Drawing Sheets**



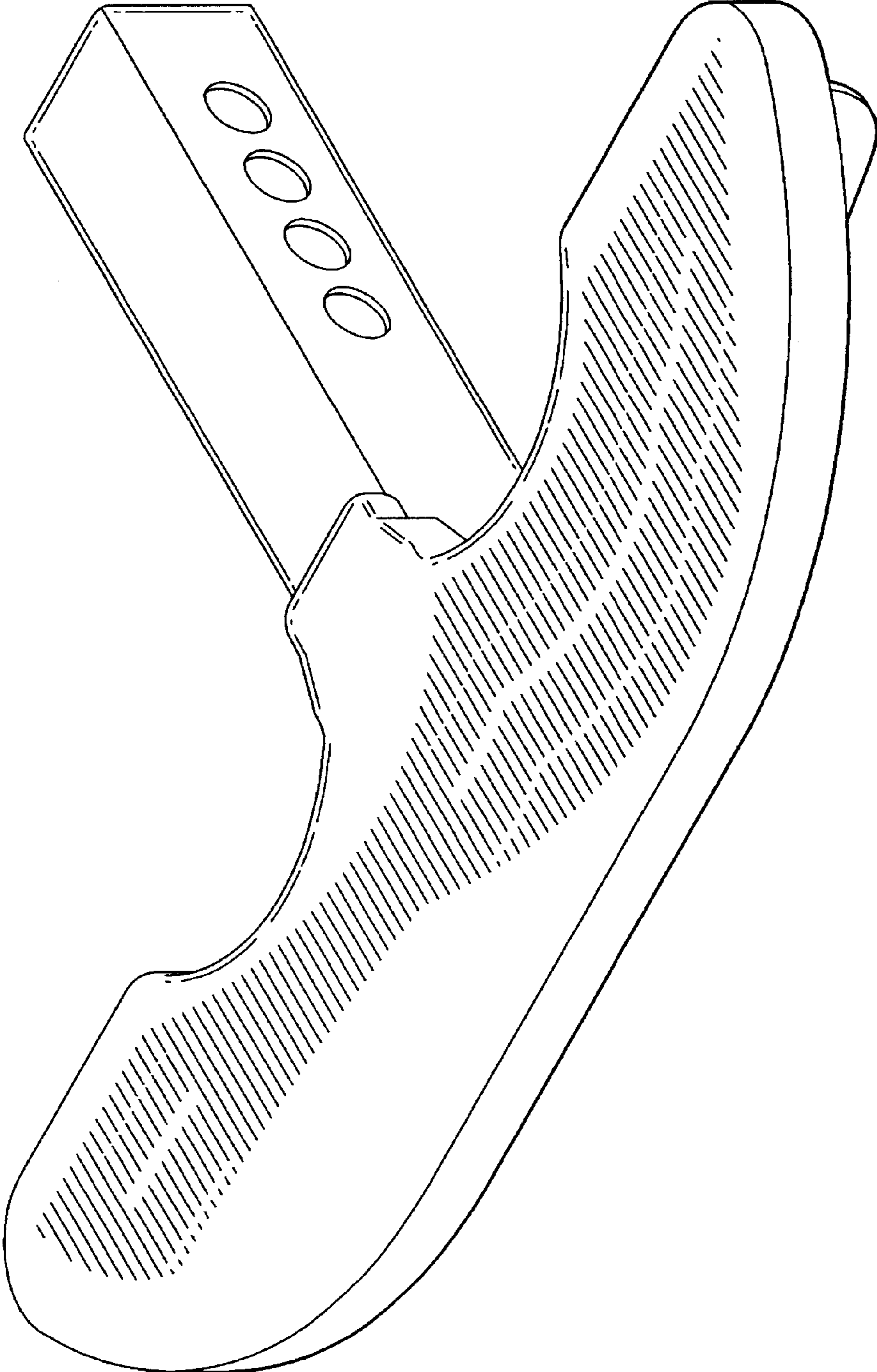


FIG. 1

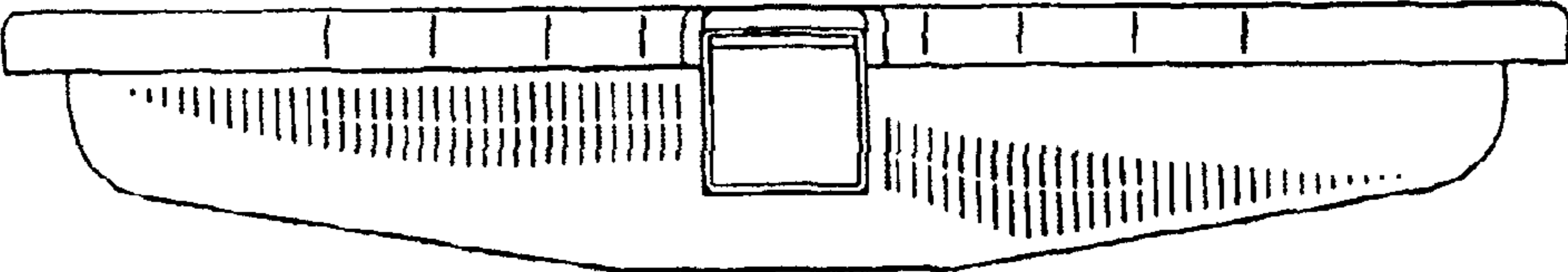


FIG. 2

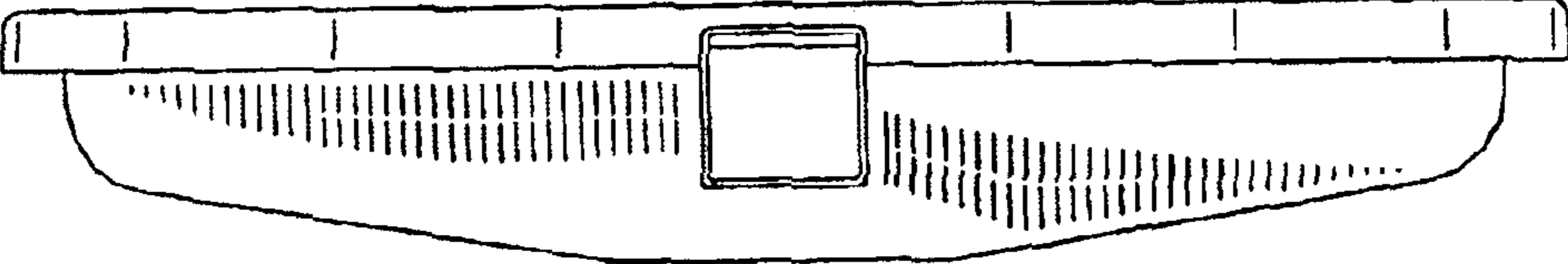


FIG. 3

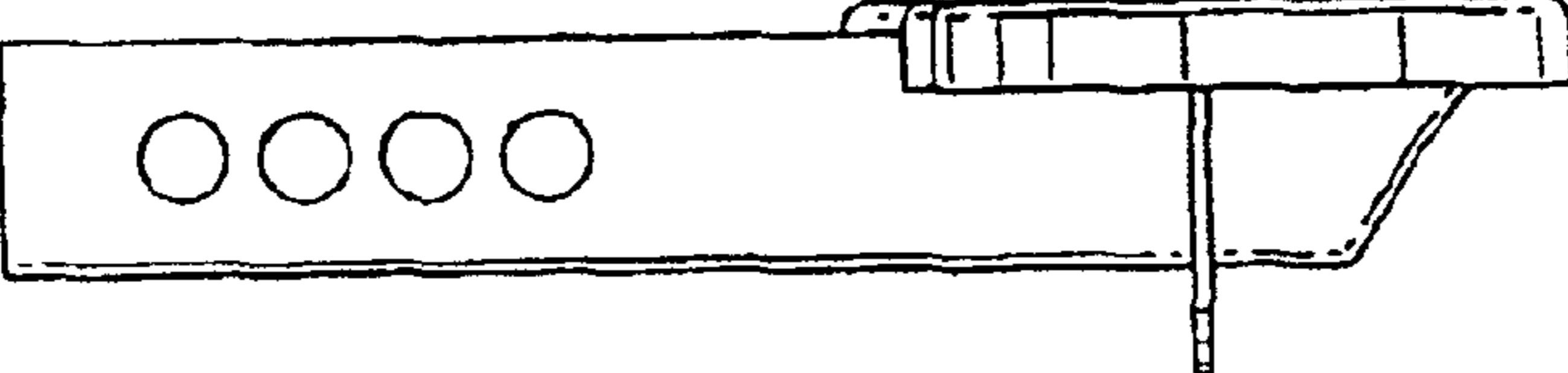


FIG. 4

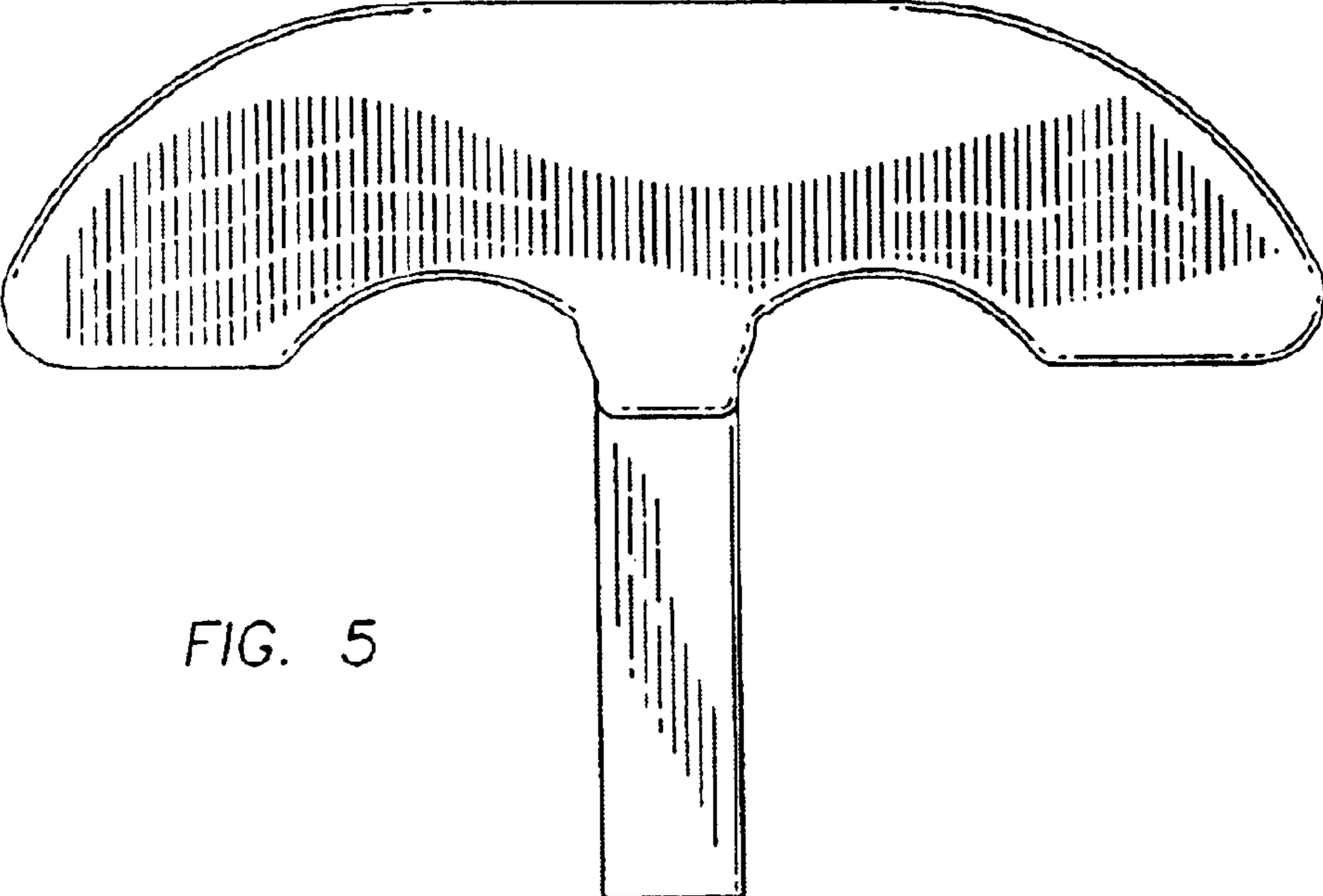


FIG. 5

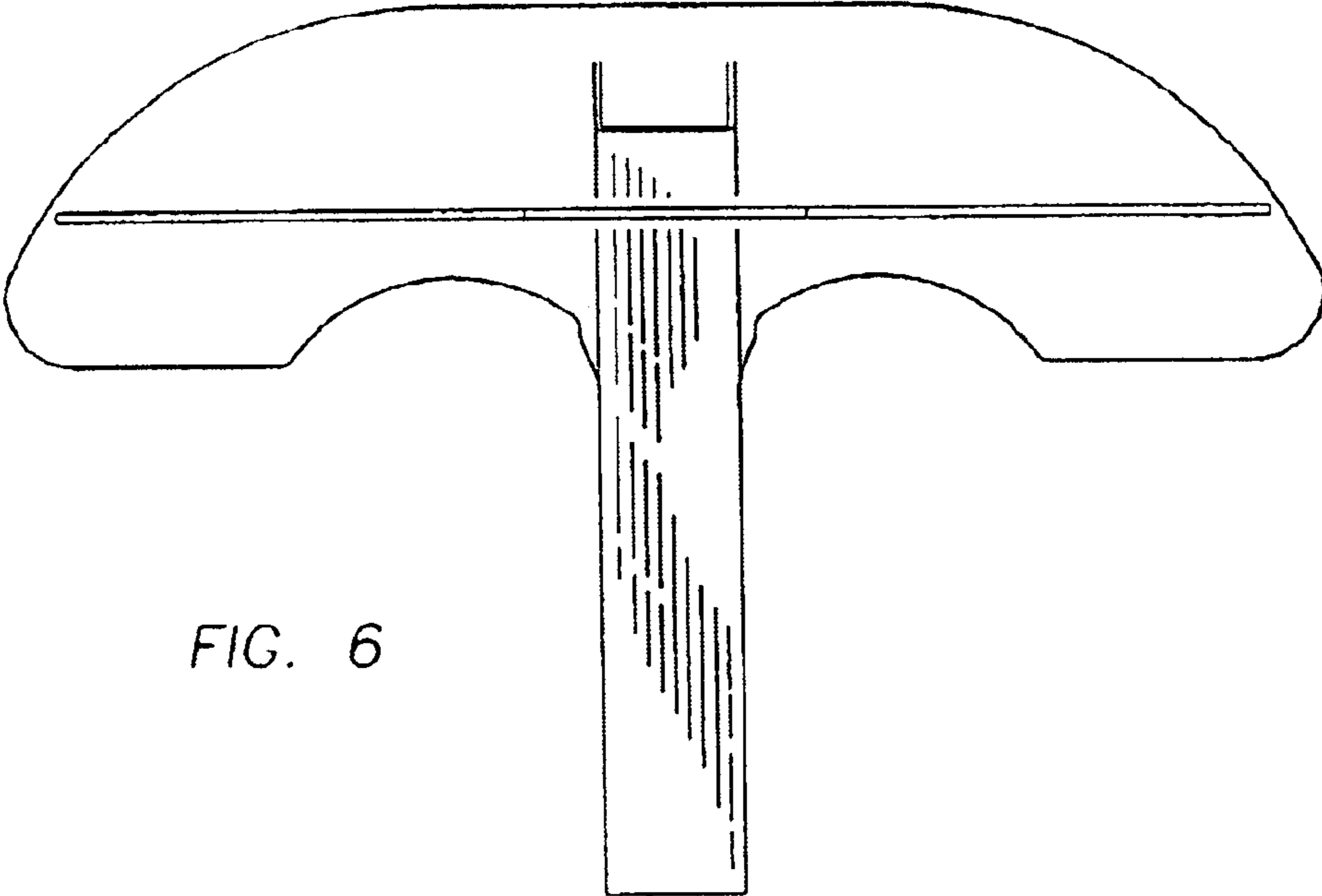


FIG. 6