



US00D513210S

(12) **United States Design Patent**  
**Piszkin**

(10) **Patent No.:** **US D513,210 S**

(45) **Date of Patent:** **\*\* Dec. 27, 2005**

(54) **ADJUSTABLE BICYCLE FRAME**

*Primary Examiner*—Alan P. Douglas  
*Assistant Examiner*—Linda Brooks

(76) **Inventor:** **Thomas Martin Piszkin**, 10662  
Strathmore Dr., Santee, CA (US) 92071

(57) **CLAIM**

(\*\*) **Term:** **14 Years**

The ornamental design for an adjustable bicycle frame, as shown and described.

(21) **Appl. No.:** **29/214,032**

**DESCRIPTION**

(22) **Filed:** **Sep. 28, 2004**

(51) **LOC (6) Cl.** ..... **12-11**

FIG. 1 is a perspective view of an adjustable bicycle frame showing my new design;

(52) **U.S. Cl.** ..... **D12/111**

FIG. 2 is a top plan view thereof;

(58) **Field of Search** ..... **D12/111, 117;**

FIG. 3 is a right side elevation view thereof;

**280/274-288, 288.1-288.3**

FIG. 4 is a bottom plan view thereof;

FIG. 5 is a left side elevation view thereof;

FIG. 6 is a rear elevation view thereof; and,

FIG. 7 is a front elevation view thereof.

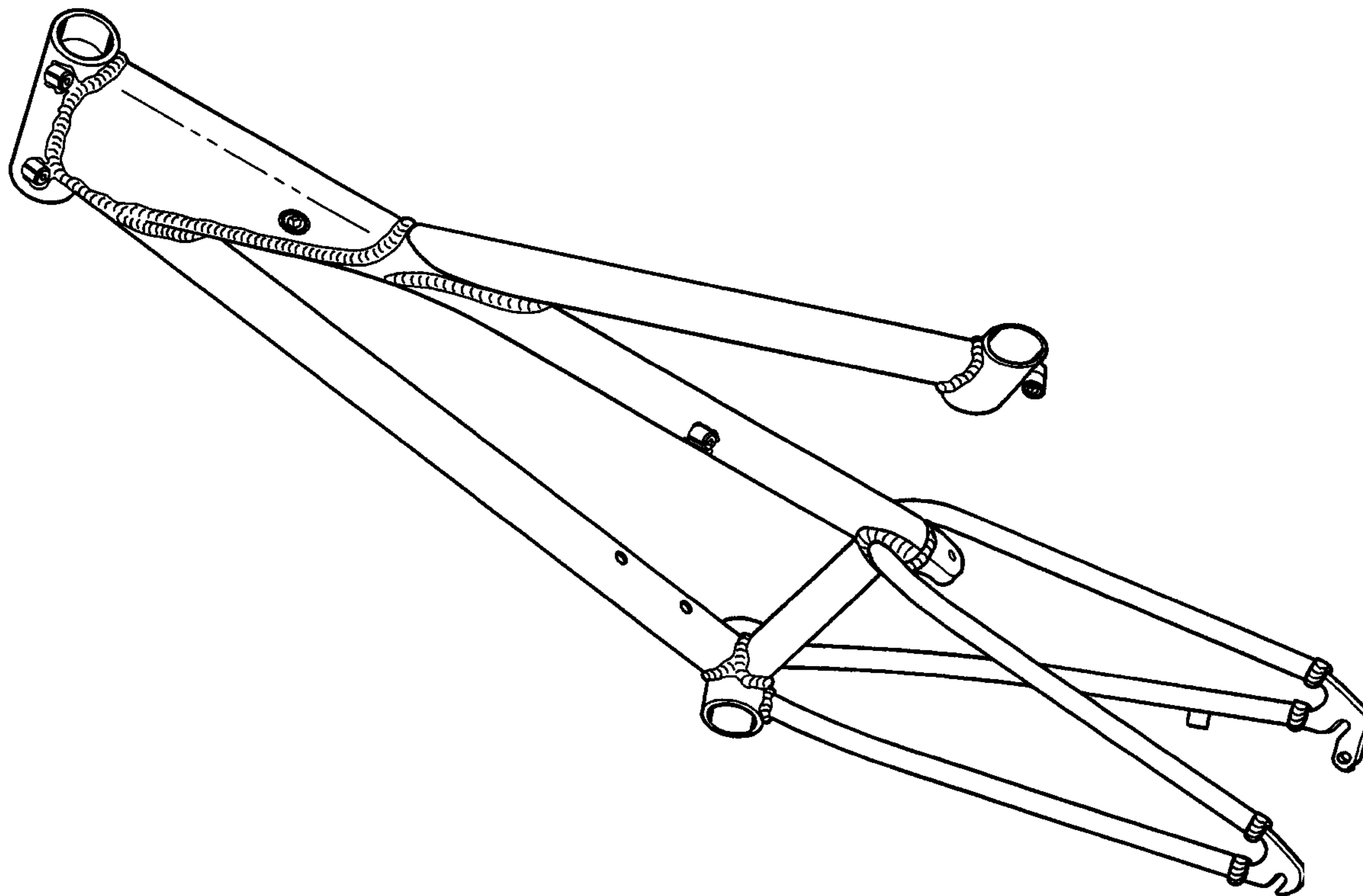
(56) **References Cited**

**U.S. PATENT DOCUMENTS**

D419,110 S \* 1/2000 Allen et al. .... D12/111

\* cited by examiner

**1 Claim, 4 Drawing Sheets**



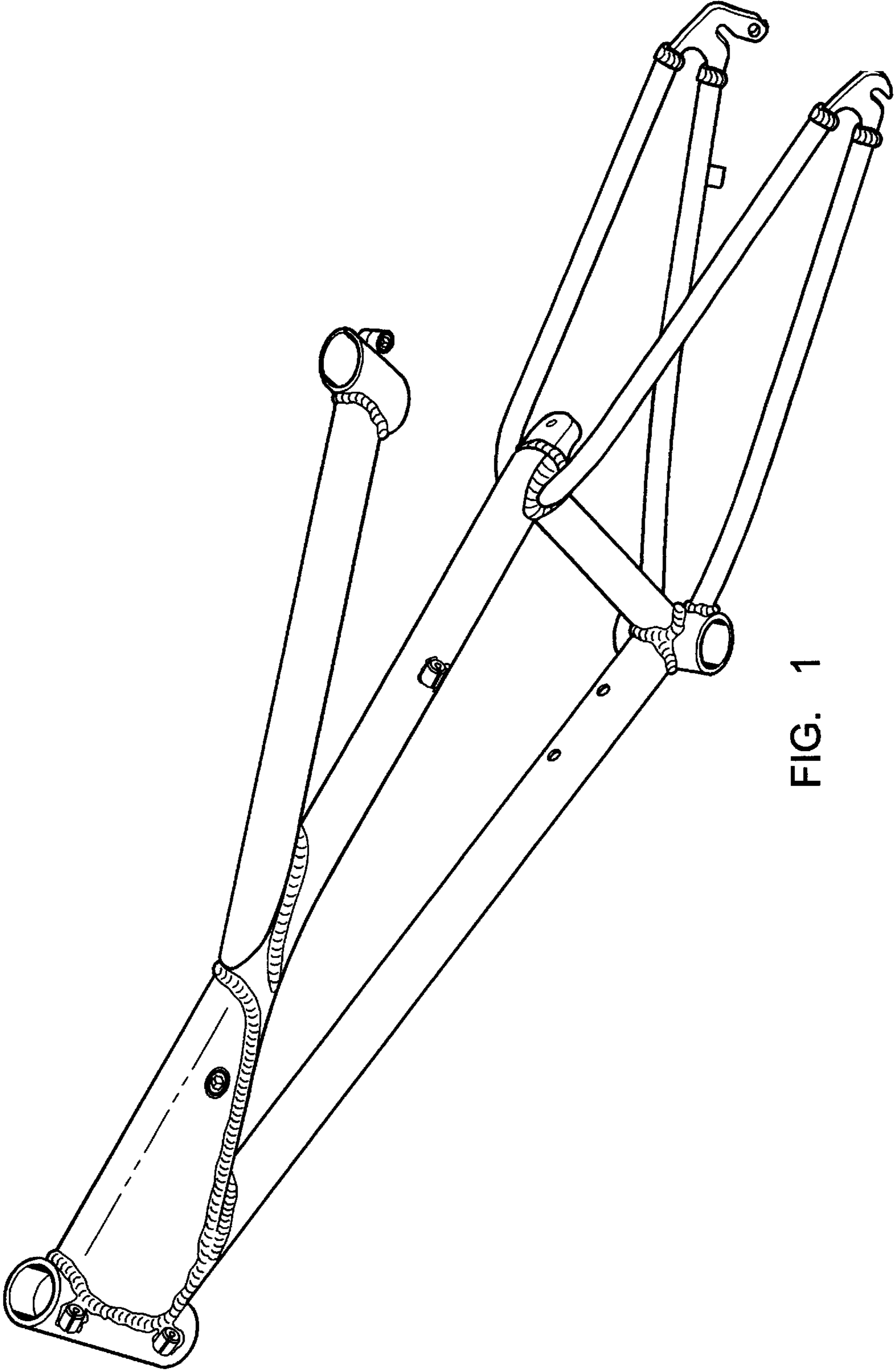


FIG. 1

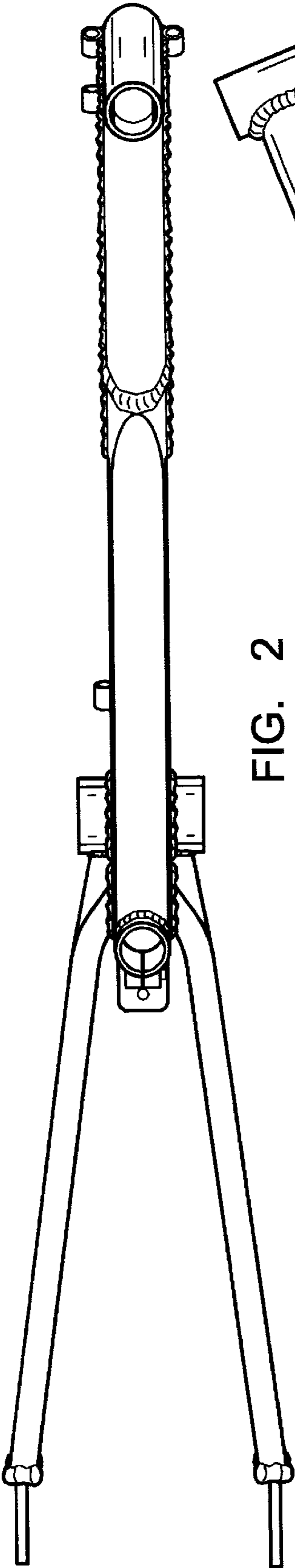


FIG. 2

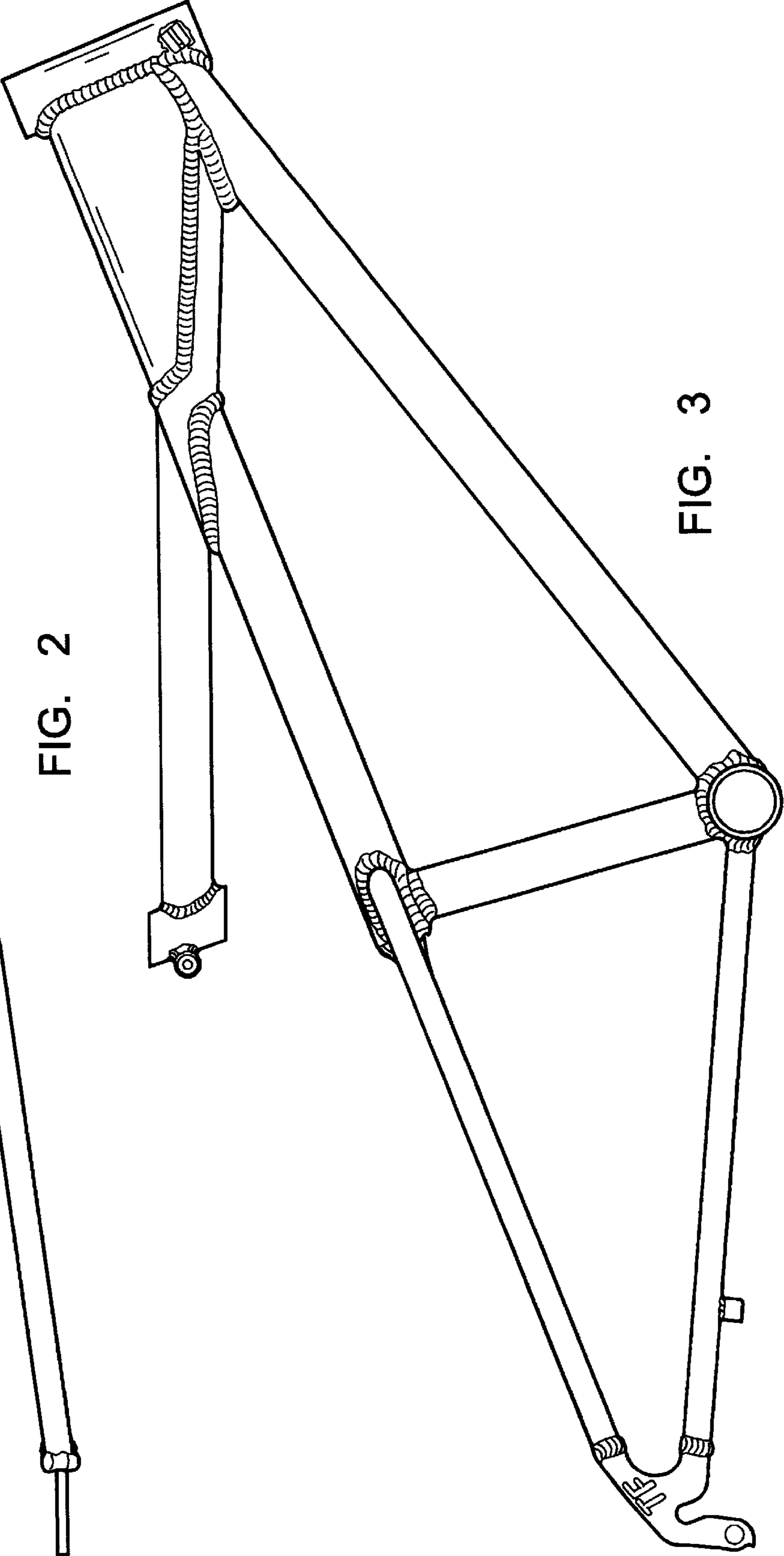


FIG. 3

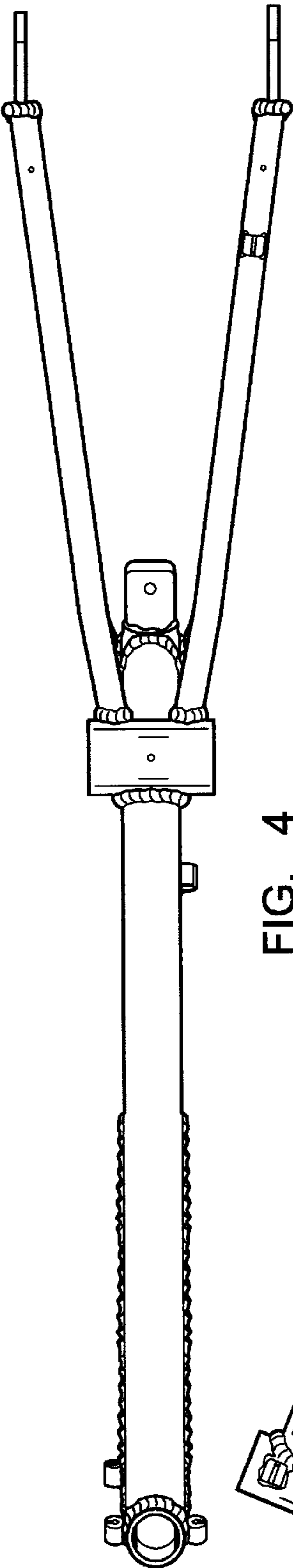


FIG. 4

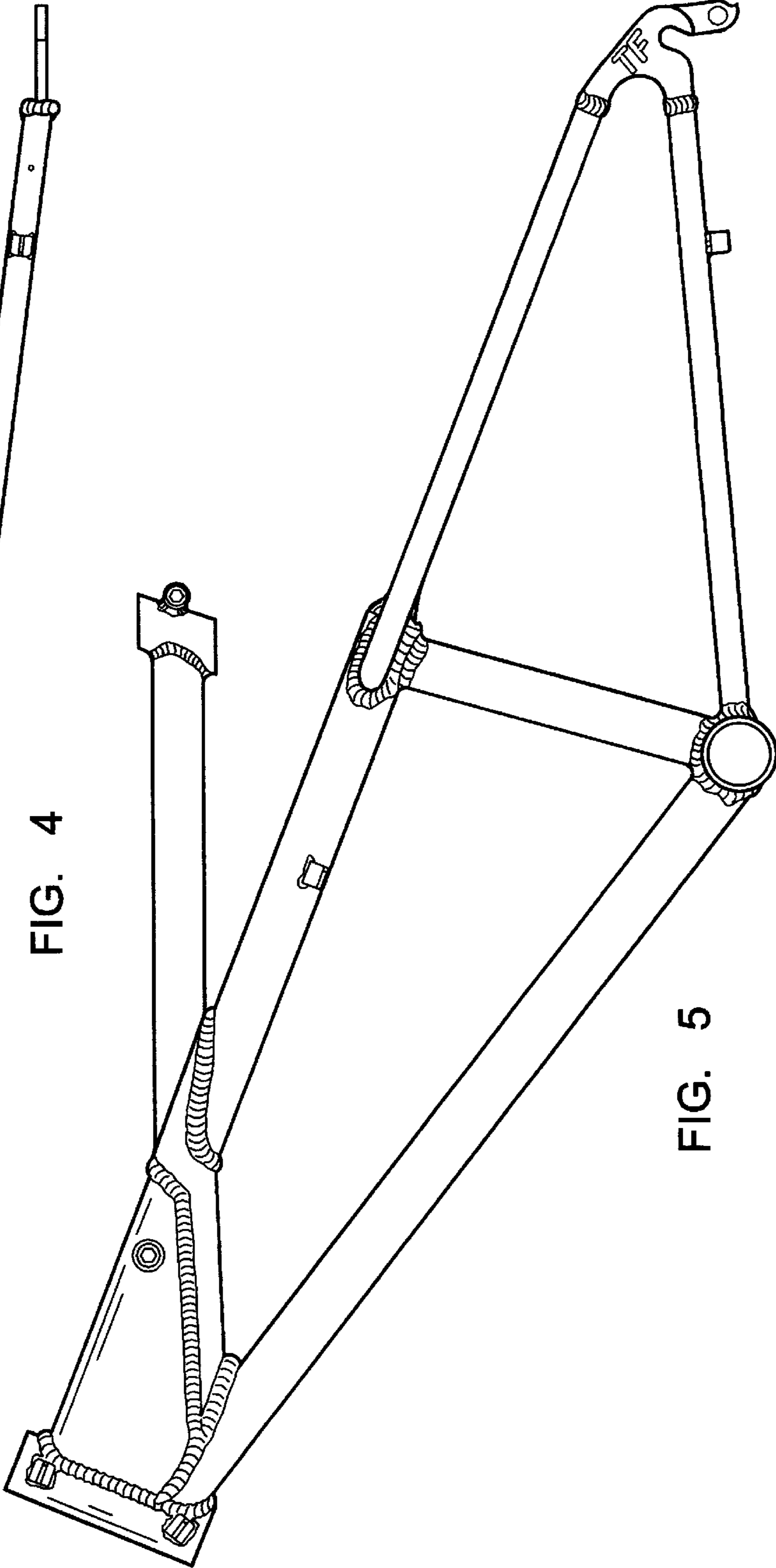


FIG. 5

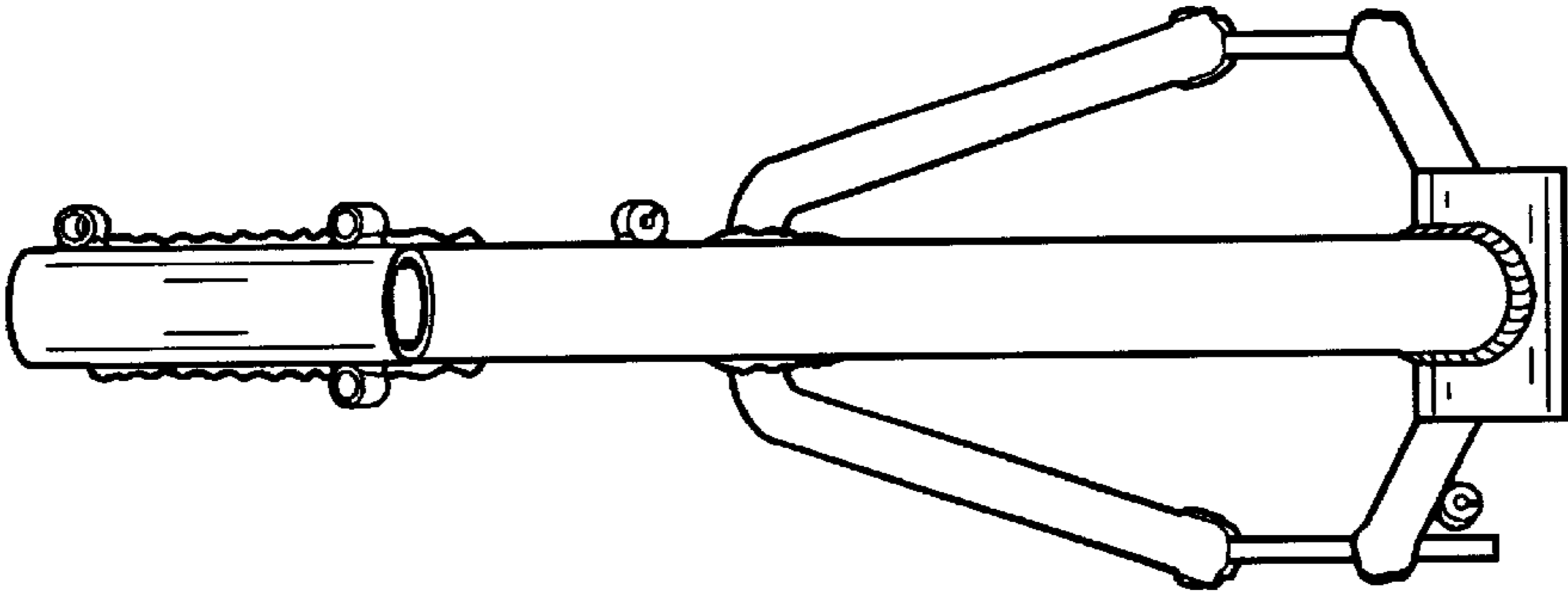


FIG. 7

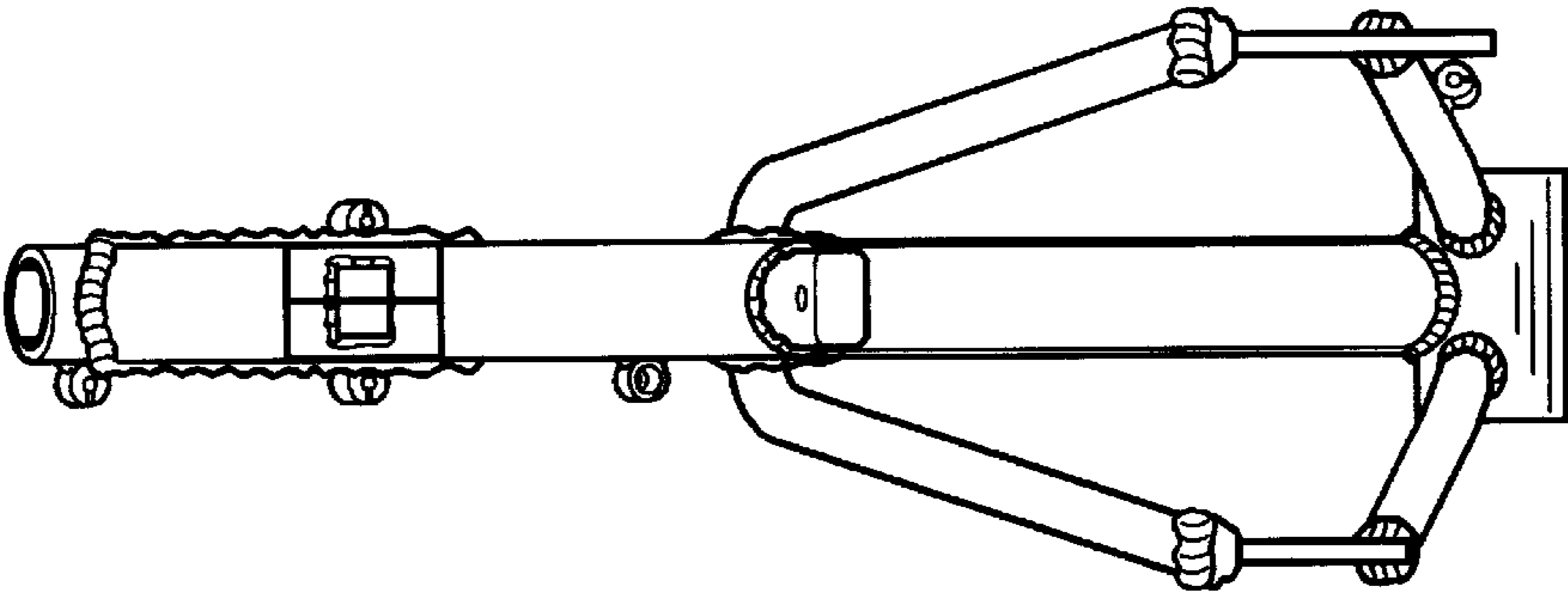


FIG. 6