



US00D513200S

(12) **United States Design Patent** (10) **Patent No.:** **US D513,200 S**
Lai (45) **Date of Patent:** **** Dec. 27, 2005**

(54) **BACKUP ALARM**

(76) Inventor: **Hsi Chi Lai**, 1F, No. 9, Lane 30,
Tai-Ho Street, Chung-Ho City, Taipei
Hsien (TW)

(**) Term: **14 Years**

(21) Appl. No.: **29/217,700**

(22) Filed: **Nov. 19, 2004**

(51) **LOC (6) Cl.** **10-06**

(52) **U.S. Cl.** **D10/120**

(58) **Field of Search** D26/28, 1; D10/120,
D10/119, 116, 111, 104, 102; 340/463,
436, 435, 384.4, 384.1

(56) **References Cited**

U.S. PATENT DOCUMENTS

D205,957 S	*	10/1966	Nagel	D26/28
D237,648 S	*	11/1975	Cibie	D26/28
D313,195 S	*	12/1990	Memola	D10/120
D338,165 S	*	8/1993	Gregori et al.	D10/104

D452,454 S	*	12/2001	Bekasi et al.	D10/120
6,885,295 B2	*	4/2005	Hanson-Abbott et al.	...	340/474
2001/0043142 A1	*	11/2001	Milliken	340/463
2004/0046653 A1	*	3/2004	Milliken	340/463

* cited by examiner

Primary Examiner—Cathron C. Brooks

Assistant Examiner—Austin Murphy

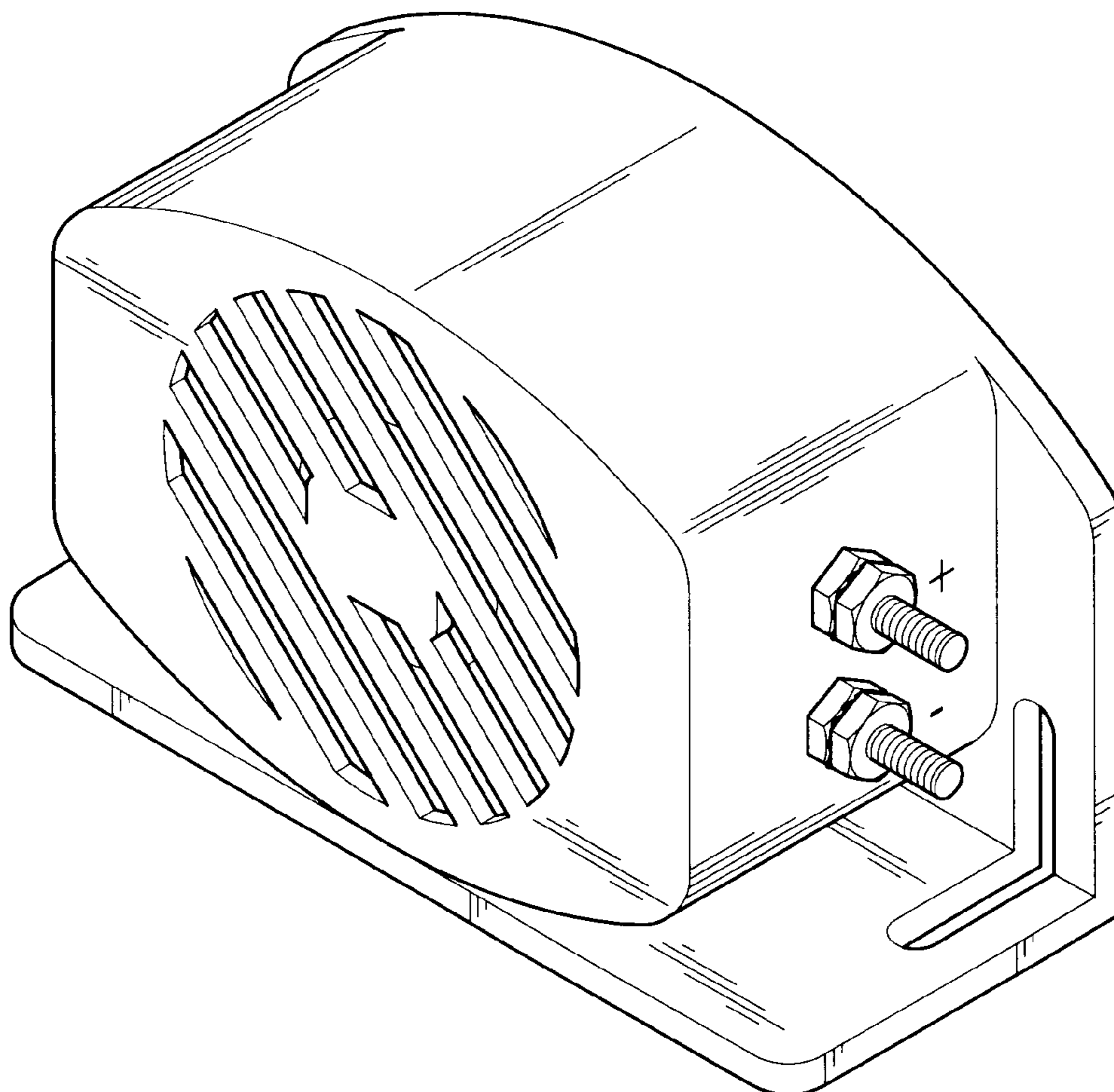
(57) **CLAIM**

The ornamental design for backup alarm, as shown and described.

DESCRIPTION

FIG. 1 is a perspective view of backup alarm showing my new design;
 FIG. 2 is a front elevational view thereof;
 FIG. 3 is a rear elevational view thereof;
 FIG. 4 is a left side elevational view thereof;
 FIG. 5 is right side elevational view thereof;
 FIG. 6 is a top view thereof; and,
 FIG. 7 is a bottom view thereof.

1 Claim, 7 Drawing Sheets



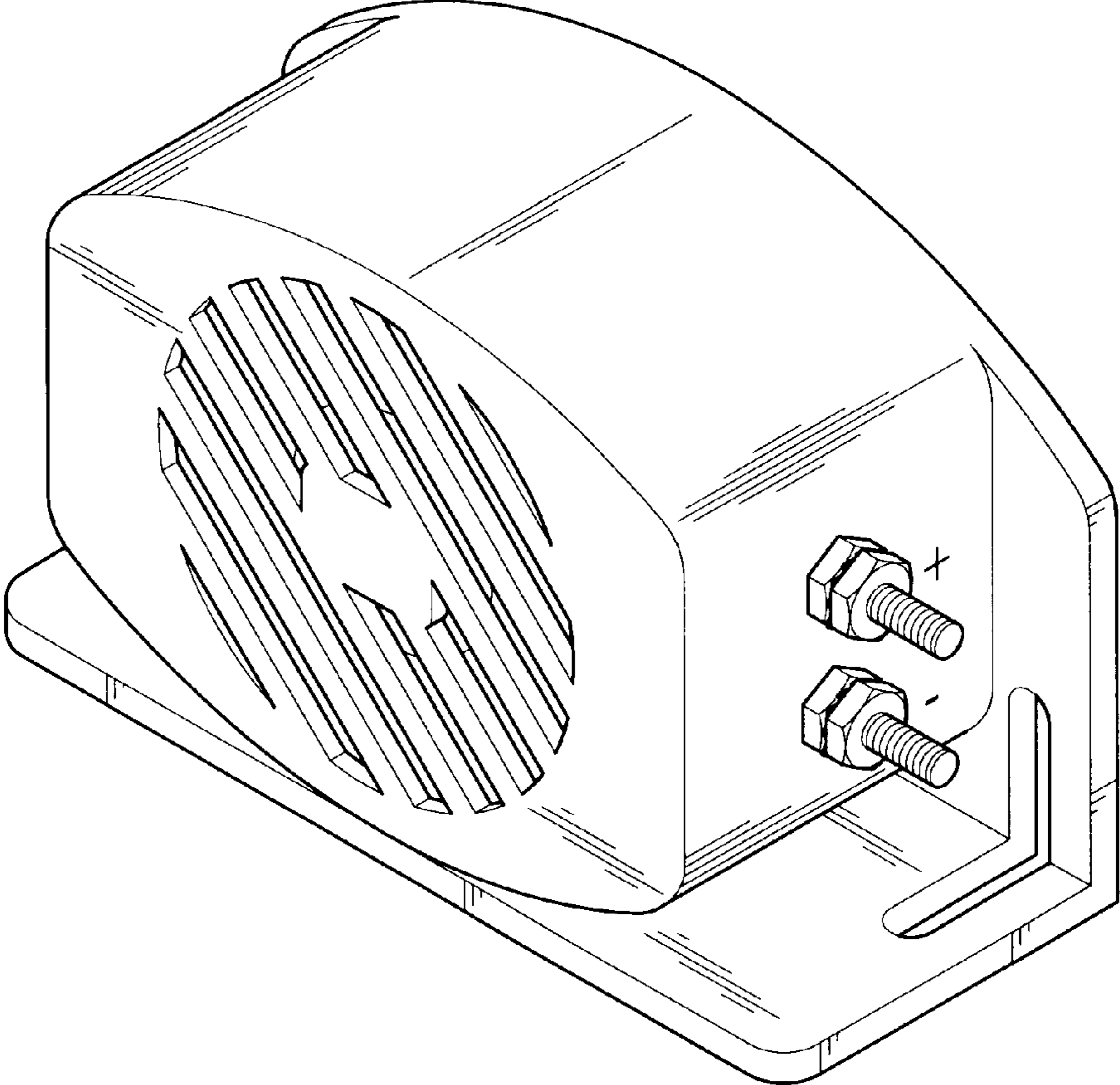


FIG. 1

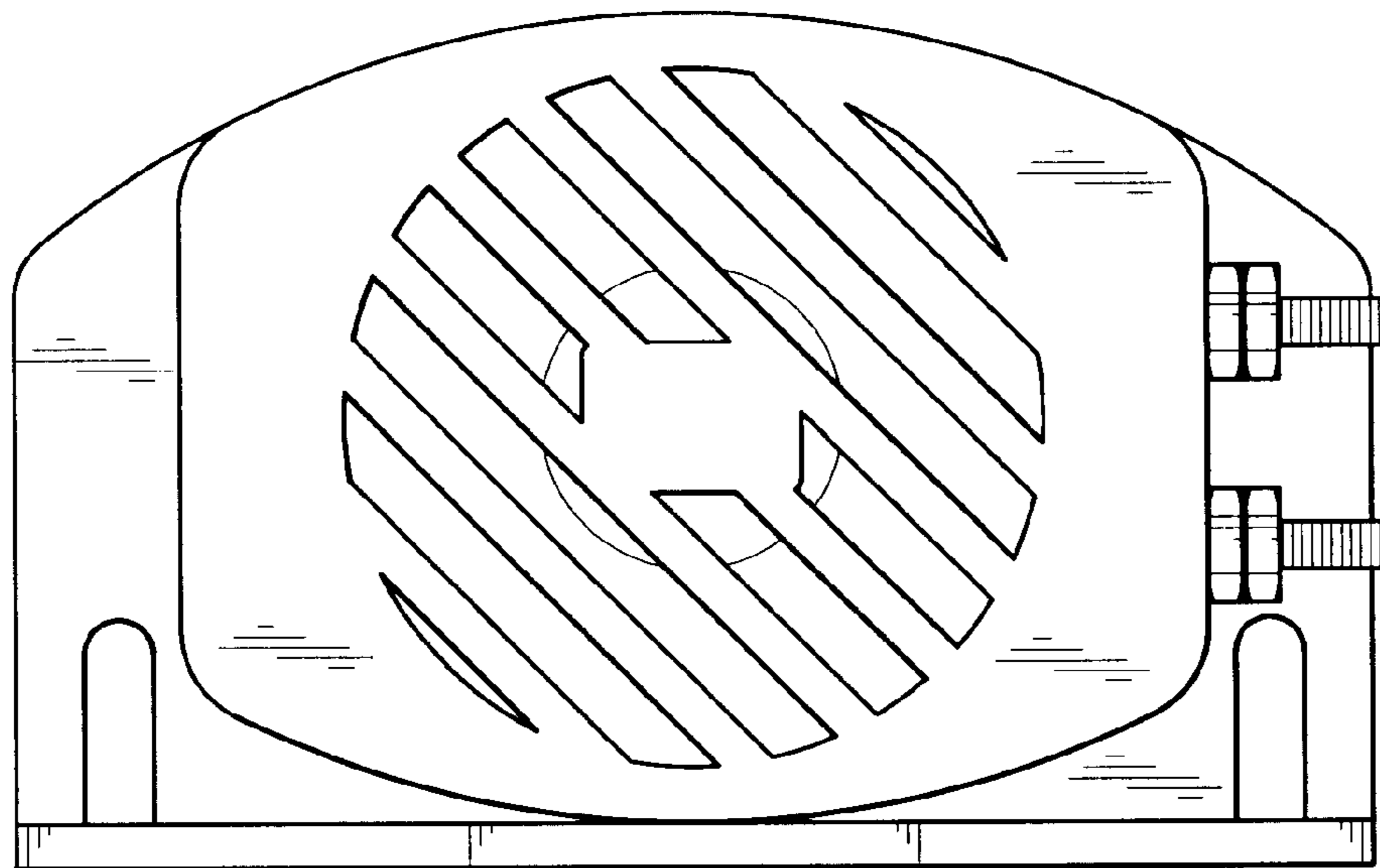


FIG. 2

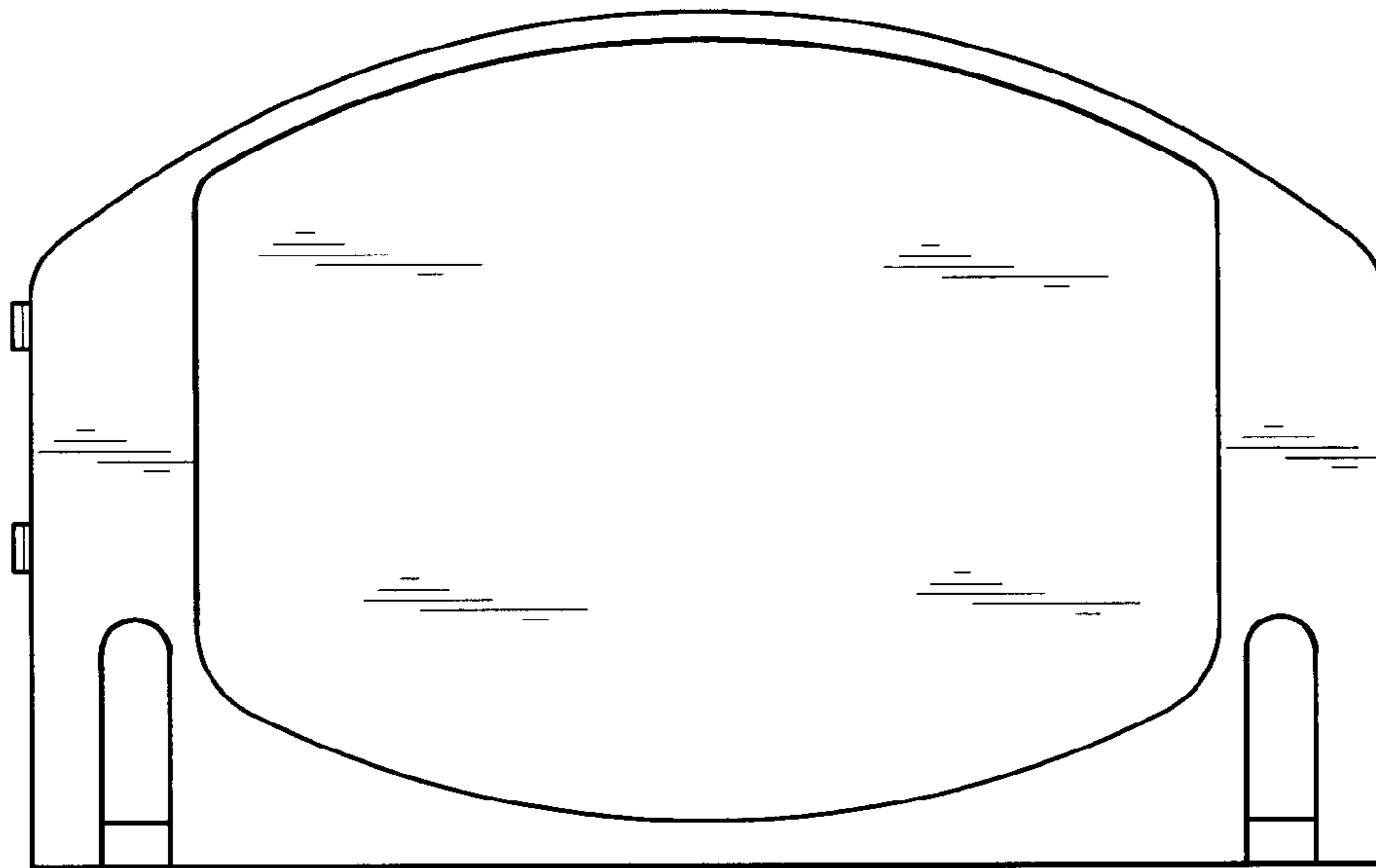


FIG. 3

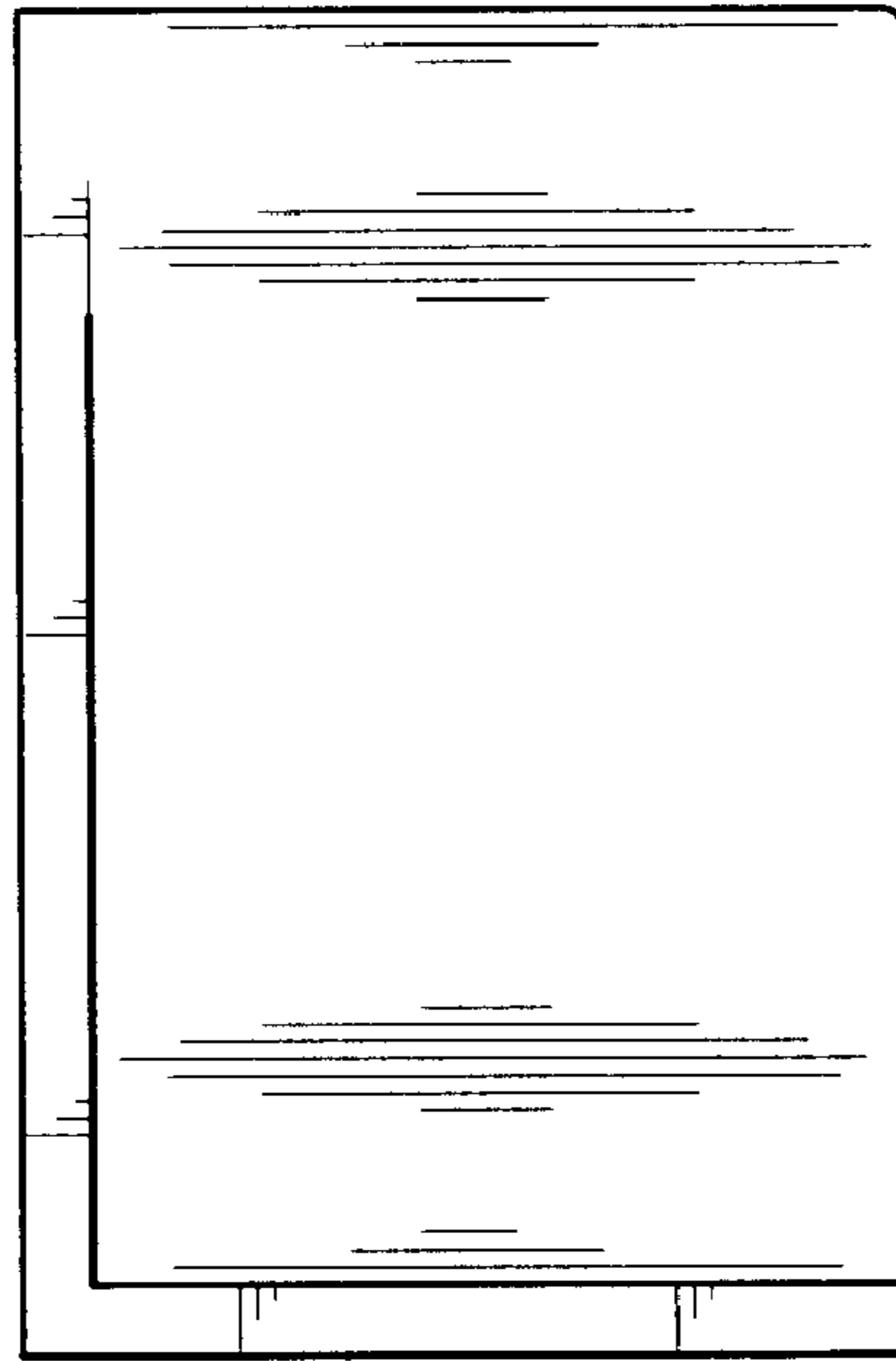


FIG. 4

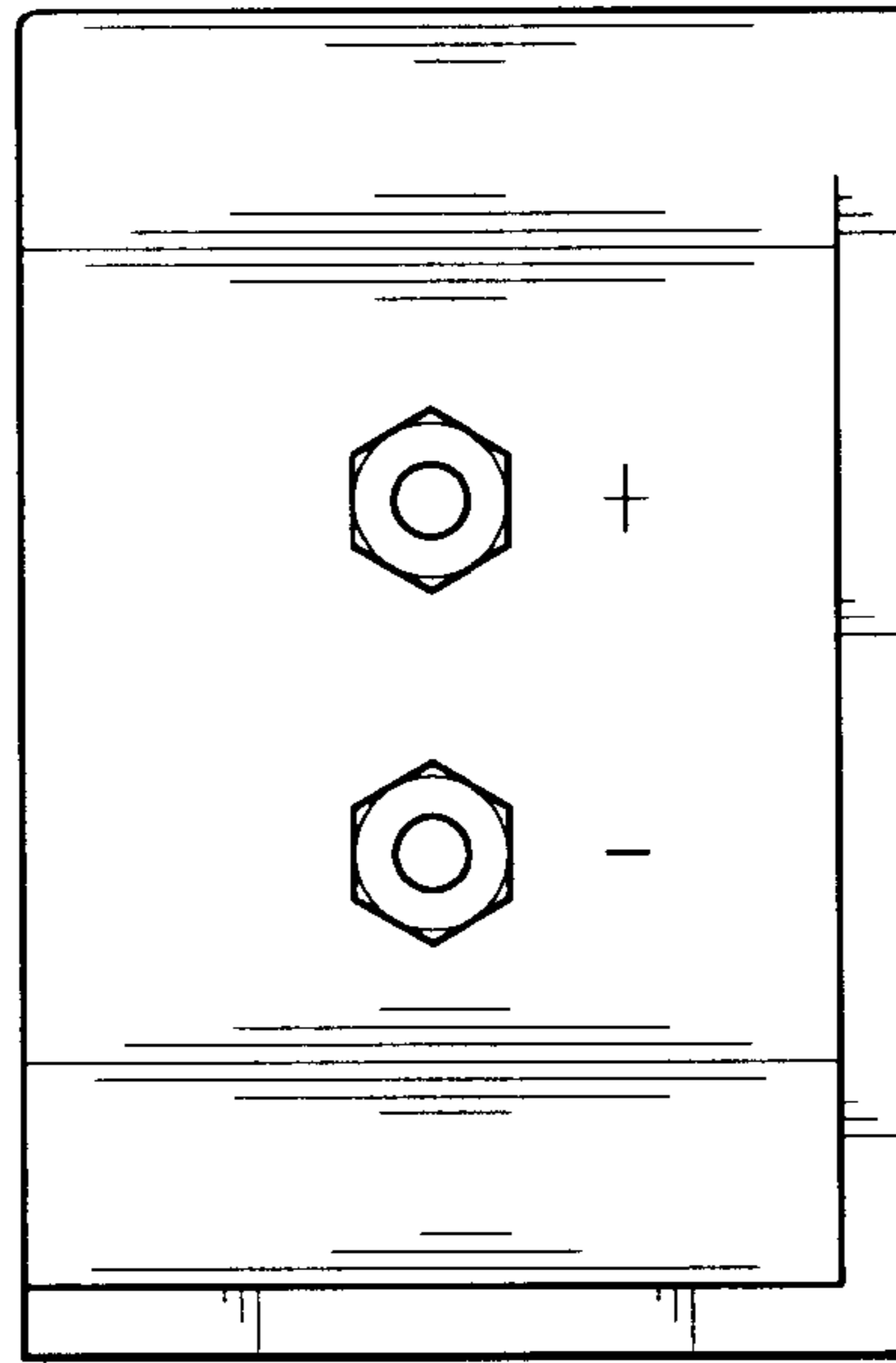


FIG. 5

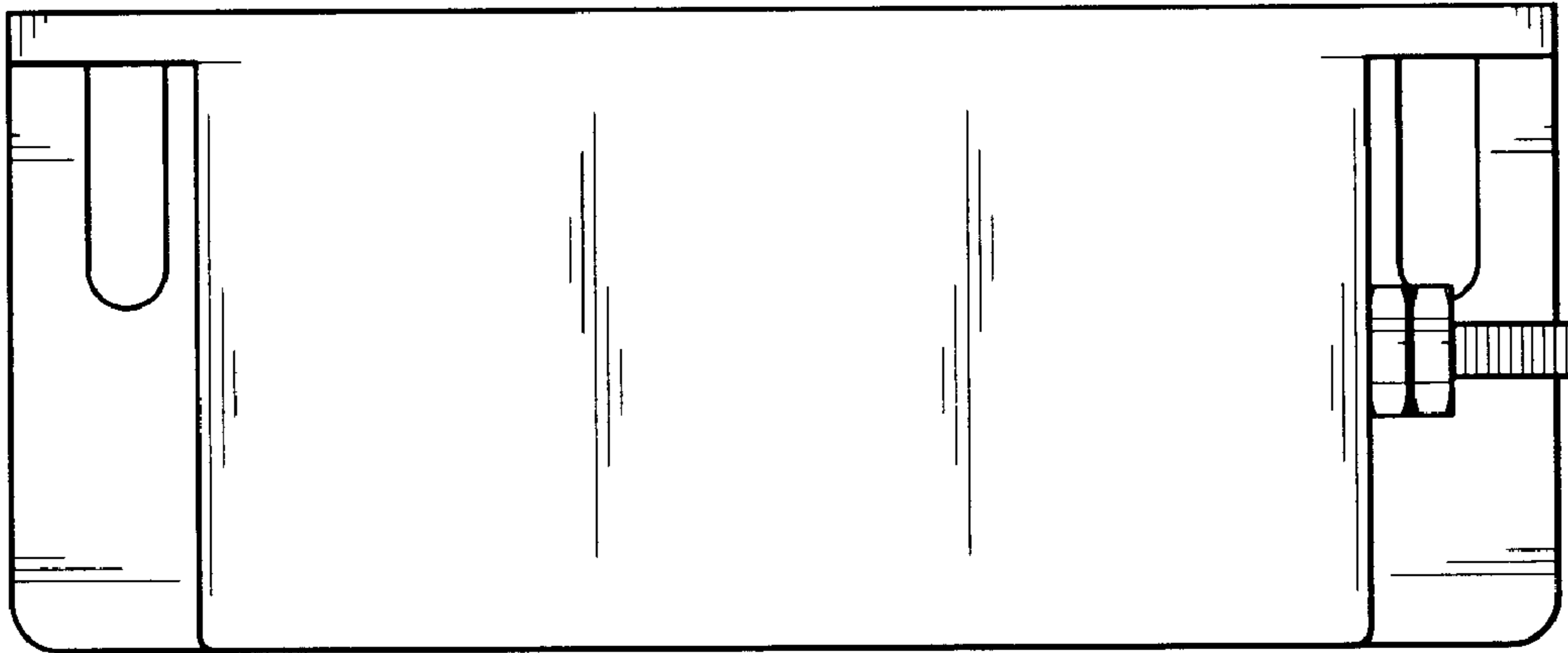


FIG. 6

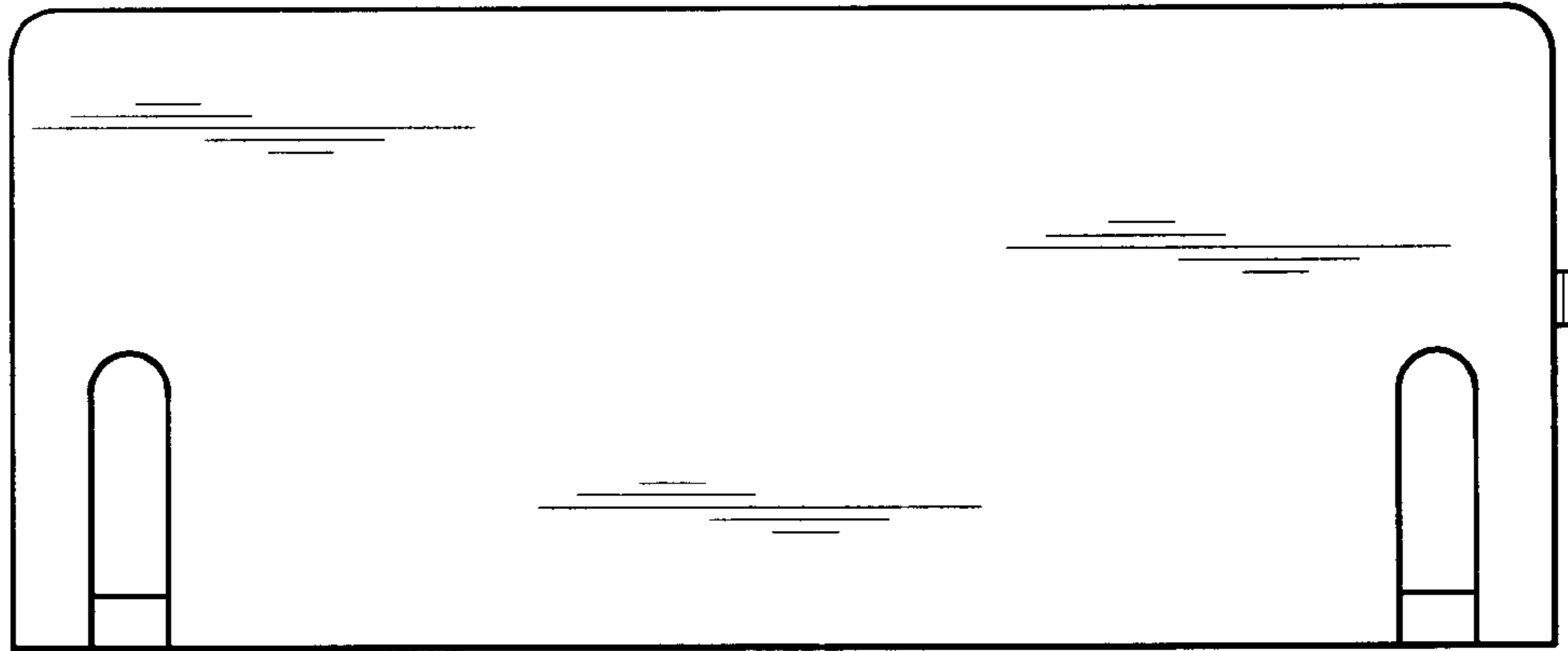


FIG. 7