



US00D513198S

(12) **United States Design Patent**
Levinson

(10) **Patent No.:** **US D513,198 S**
(45) **Date of Patent:** **** Dec. 27, 2005**

(54) **TORPEDO LEVEL**

D472,168 S 3/2003 Levinson
6,568,095 B2 5/2003 Snyder
D498,686 S 11/2004 Levinson et al.

(75) Inventor: **Amy Levinson**, Upper Galilee (IL)

(73) Assignee: **Kapro Industries, Ltd.**, Beit Hakarem (IL)

* cited by examiner

(**) Term: **14 Years**

Primary Examiner—Antoine D. Davis
(74) *Attorney, Agent, or Firm*—Nath & Associates PLLC;
Harold L. Novick

(21) Appl. No.: **29/218,790**

(57) **CLAIM**

(22) Filed: **Dec. 8, 2004**

The ornamental design for a torpedo level, as shown and described.

(51) **LOC (6) Cl.** **10-04**

(52) **U.S. Cl.** **D10/69**

(58) **Field of Search** D10/69; 33/365,
33/366.11–366.27, 367–390

DESCRIPTION

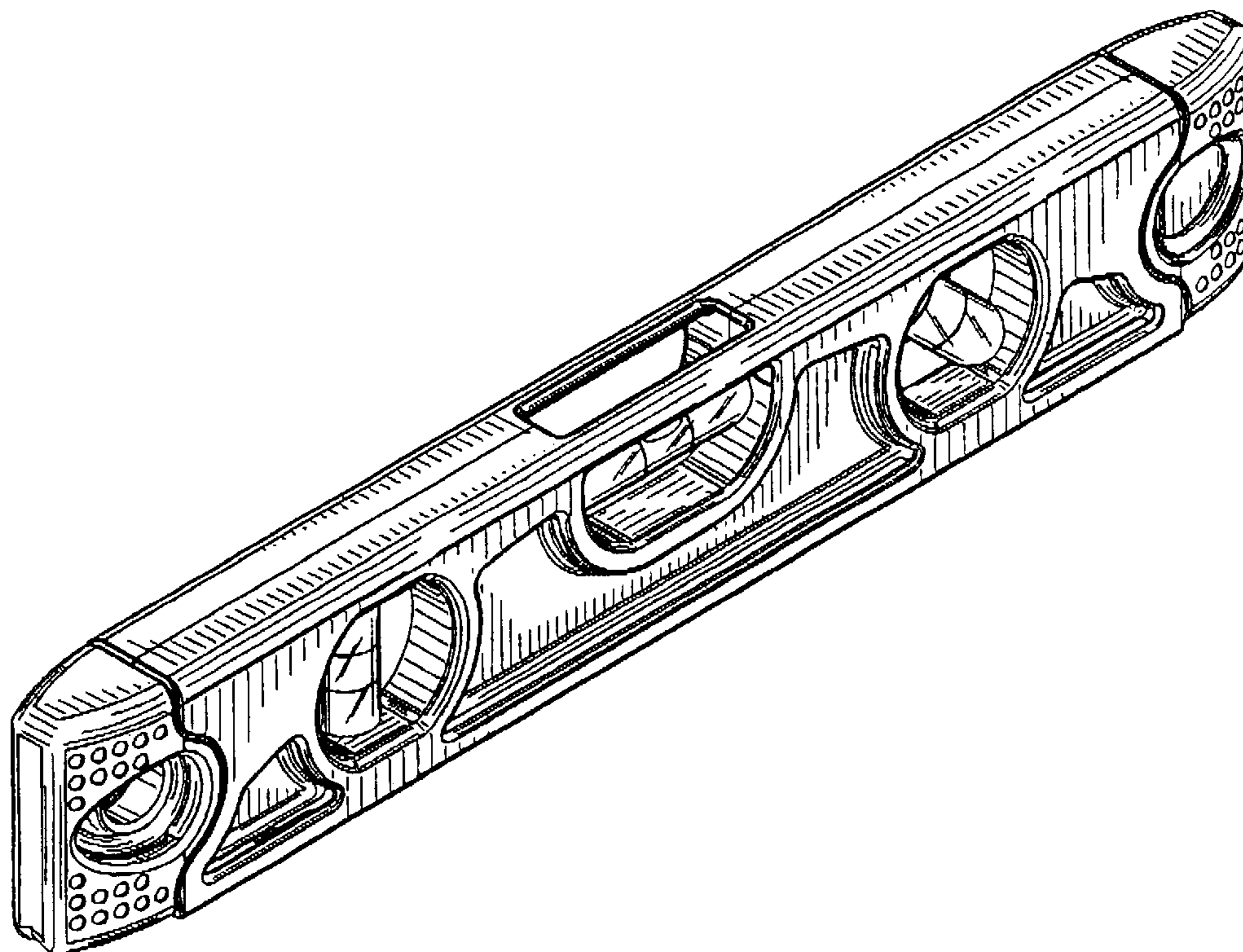
FIG. 1 is a perspective view of a torpedo level;
FIG. 2 is a left end view of the torpedo level of FIG. 1;
FIG. 3 is a right end view of the torpedo level of FIG. 1;
FIG. 4 is a front view of the torpedo level of FIG. 1;
FIG. 5 is a top view of the torpedo level of FIG. 1;
FIG. 6 is rear view of the torpedo level of FIG. 1; and,
FIG. 7 is a bottom view of the torpedo level of FIG. 1.

(56) **References Cited**

U.S. PATENT DOCUMENTS

D332,226 S * 1/1993 Hutchins et al. D10/69
D415,436 S 10/1999 Martone
6,243,957 B1 * 6/2001 Gruetzmacher et al. 33/382
D469,370 S 1/2003 Gruetzmacher et al.

1 Claim, 3 Drawing Sheets



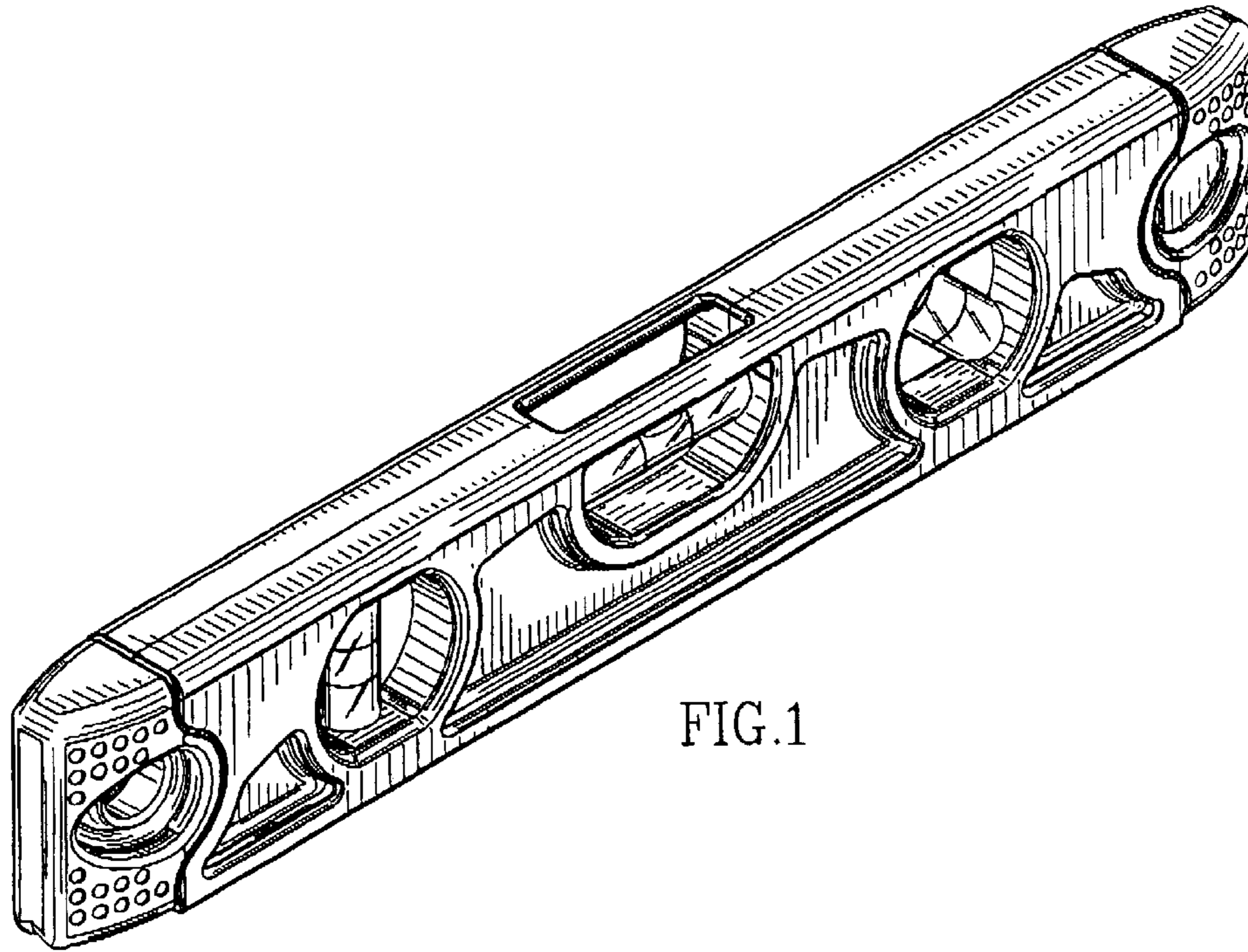


FIG. 1

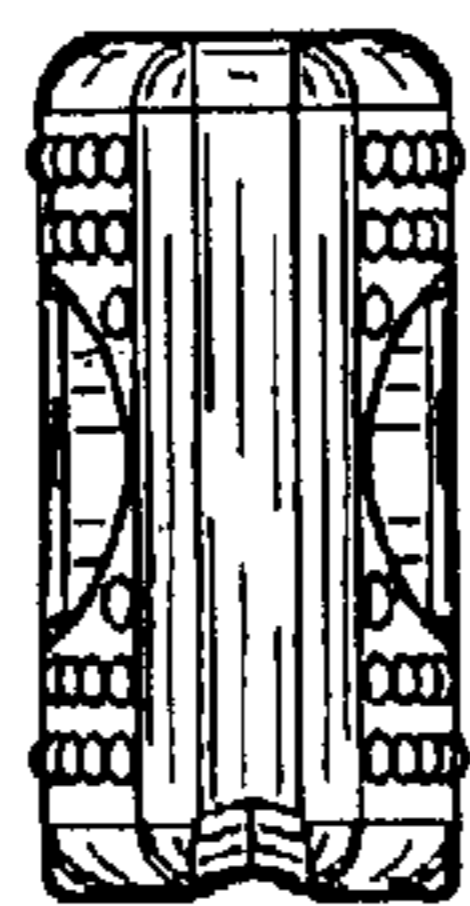


FIG. 2

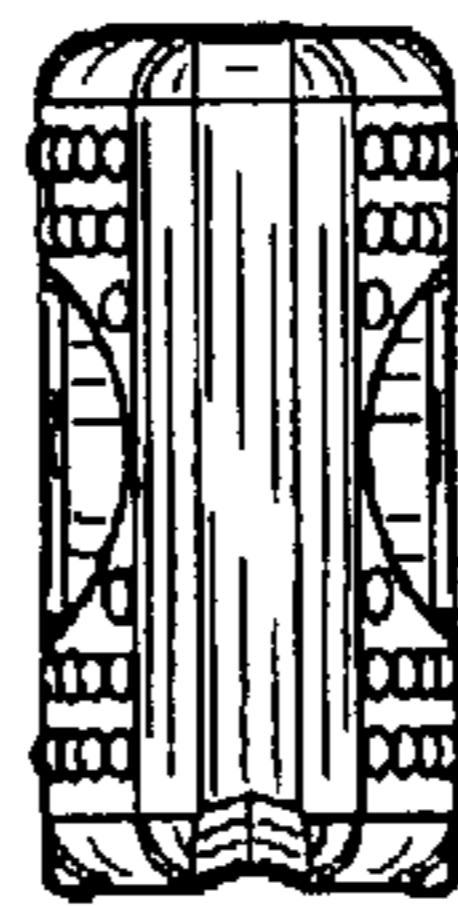


FIG. 3

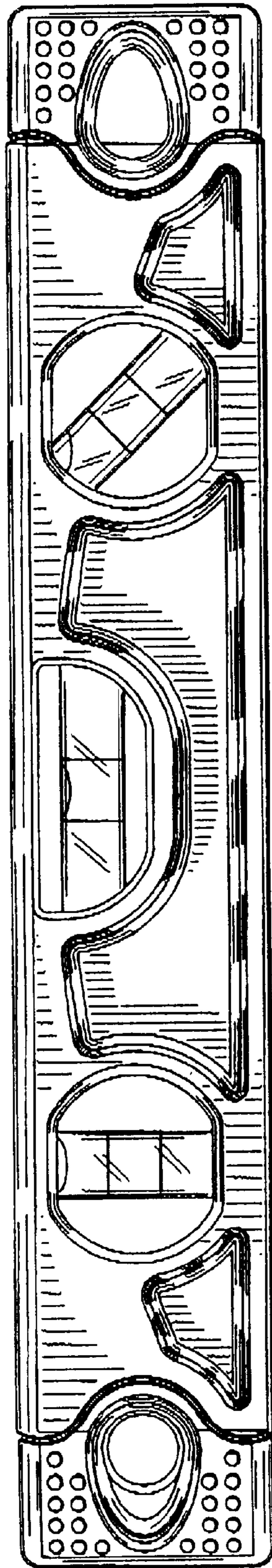


FIG. 4

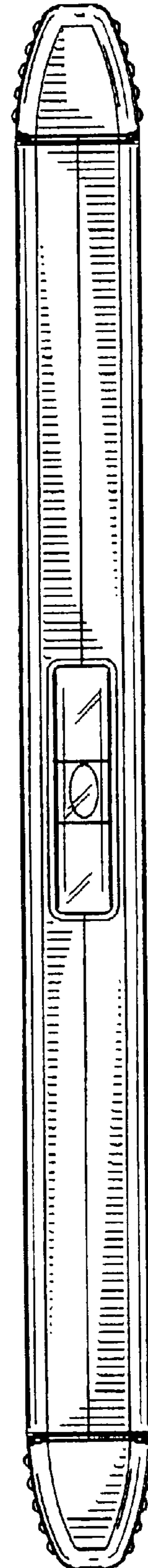


FIG. 5

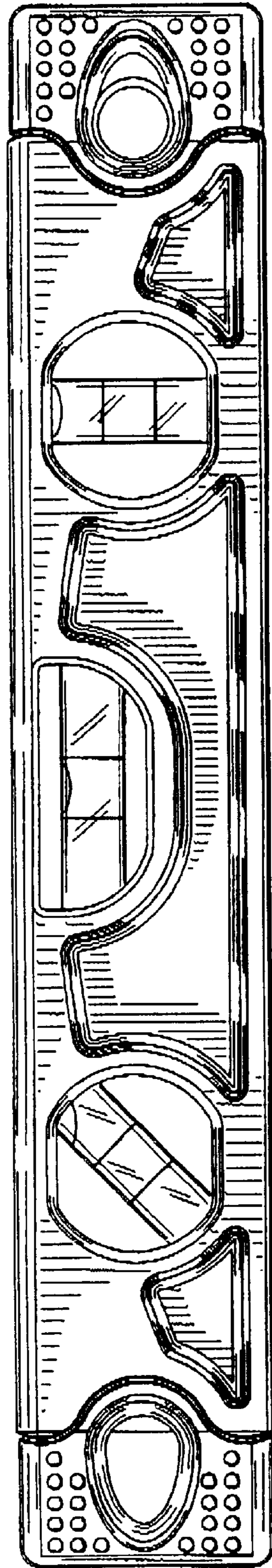


FIG. 6

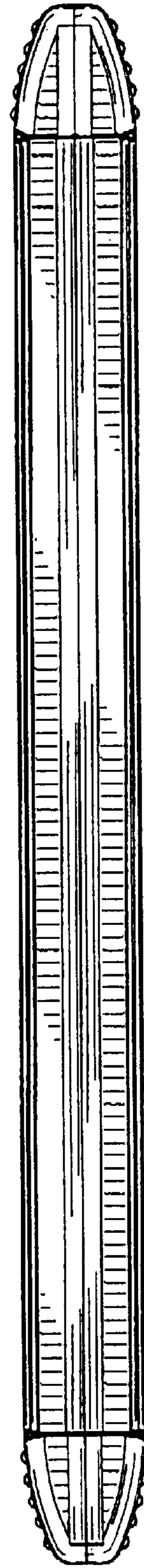


FIG. 7