



US00D513197S

(12) **United States Design Patent** (10) **Patent No.:** **US D513,197 S**
Damberger (45) **Date of Patent:** **** Dec. 27, 2005**

(54) **WIND DIRECTION INDICATOR**

(76) Inventor: **Bob Damberger**, P.O. Box 57,
 Donalda, Alberta, T0B 1H0 (CA)

(**) Term: **14 Years**

(21) Appl. No.: **29/218,137**

(22) Filed: **Nov. 29, 2004**

(30) **Foreign Application Priority Data**
 Jun. 2, 2004 (CA) 107187

(51) **LOC (6) Cl.** **10-04**

(52) **U.S. Cl.** **D10/59**

(58) **Field of Search** D10/59; D15/1-2;
 73/170.05-170.11, 178 R; 290/44, 55; 446/217-218,
 447, 476

3,948,205 A 4/1976 Korten
 3,963,307 A 6/1976 Kirk
 4,080,826 A 3/1978 Perretta
 4,553,430 A 11/1985 Behrens
 4,558,862 A 12/1985 Kelly
 4,627,278 A * 12/1986 Soto 73/170.06
 4,669,304 A 6/1987 Caragata
 4,727,822 A 3/1988 Wikkerink
 5,365,685 A 11/1994 Shank
 D368,866 S * 4/1996 Smith D10/59
 5,572,945 A 11/1996 Eastaugh
 D387,687 S 12/1997 Larson
 5,811,673 A 9/1998 Kwok et al.
 5,852,237 A 12/1998 Renshaw
 6,475,056 B1 11/2002 Christianson
 D488,728 S 4/2004 Brandtl et al.

FOREIGN PATENT DOCUMENTS

CA D 96269 5/2002

* cited by examiner

Primary Examiner—Antoine D. Davis
(74) *Attorney, Agent, or Firm*—Davis & Bujold, P.L.L.C.

(57) **CLAIM**

The ornamental design for a wind direction indicator, as shown and described.

DESCRIPTION

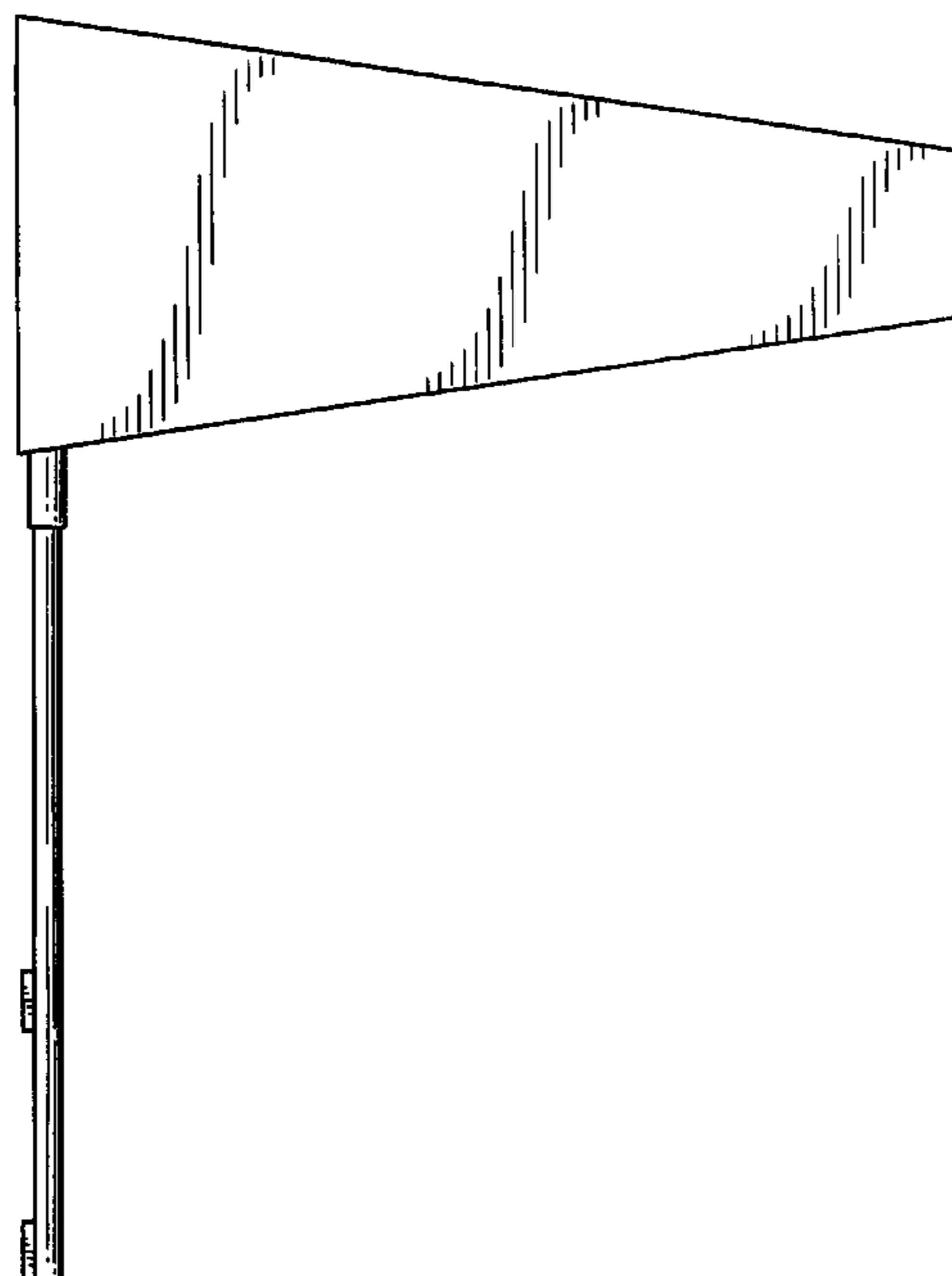
FIG. 1 is a side elevation view.
FIG. 2 is a front elevation view.
FIG. 3 is a rear elevation view.
FIG. 4 is a top plan view.
FIG. 5 is a bottom plan view; and,
FIG. 6 is a side perspective view.

1 Claim, 4 Drawing Sheets

(56) **References Cited**

U.S. PATENT DOCUMENTS

265,841 A 10/1882 Marteeny
 375,201 A 12/1887 Schaupuss
 1,093,062 A 4/1914 Mellinger
 1,555,102 A 3/1925 Chatfield
 1,736,109 A 11/1929 Barton
 1,742,574 A 1/1930 Breedlove
 D142,968 S 11/1945 Royals
 2,467,374 A 4/1949 Findlater
 2,527,357 A 10/1950 Donahey
 3,049,008 A 8/1962 Polster
 3,127,869 A 4/1964 Howland
 3,172,220 A 3/1965 Christensen
 3,359,795 A 12/1967 Walsh
 3,636,912 A 1/1972 Kamp
 3,641,815 A 2/1972 Fassett, II
 3,845,734 A 11/1974 Demos



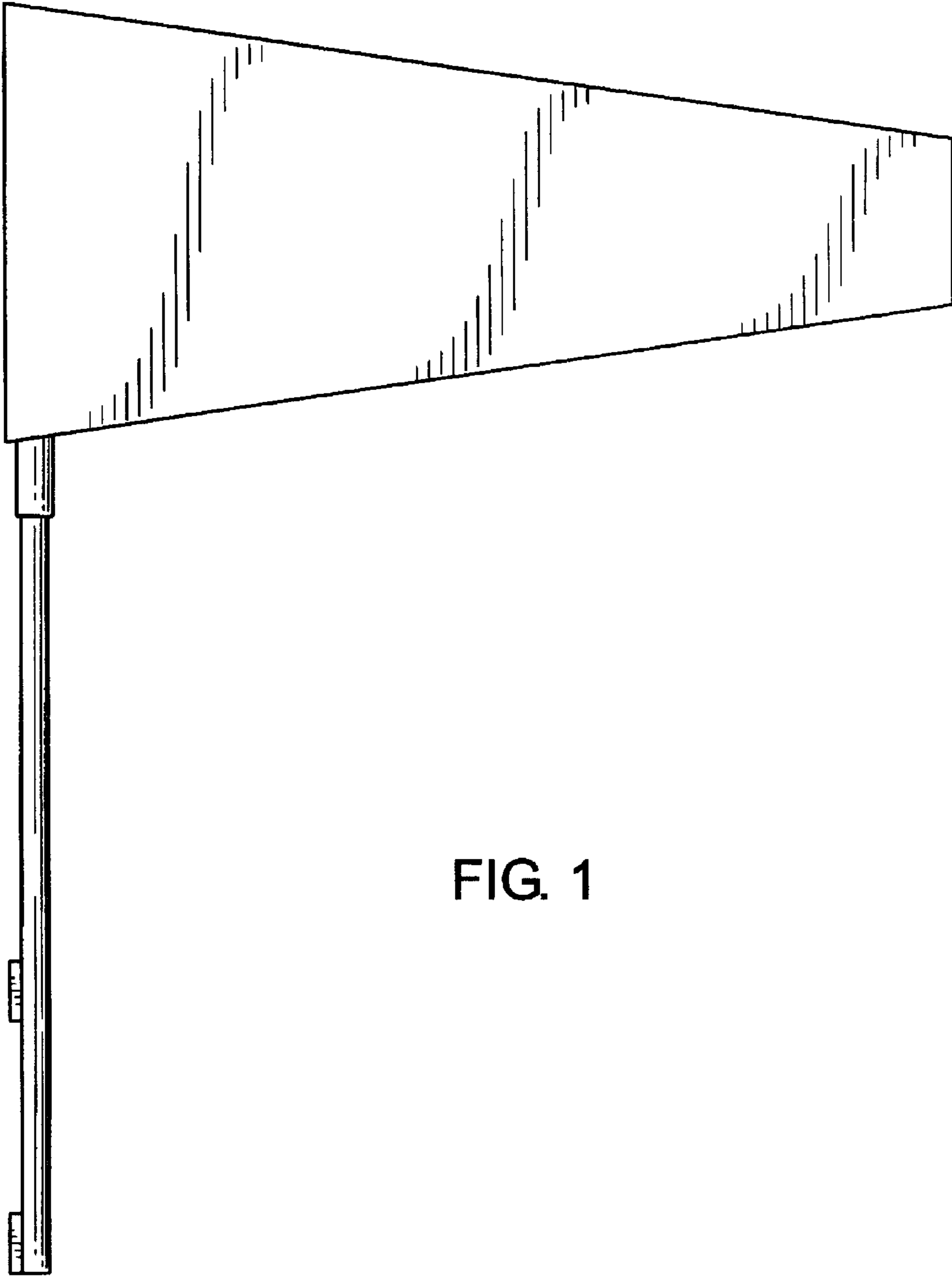


FIG. 1

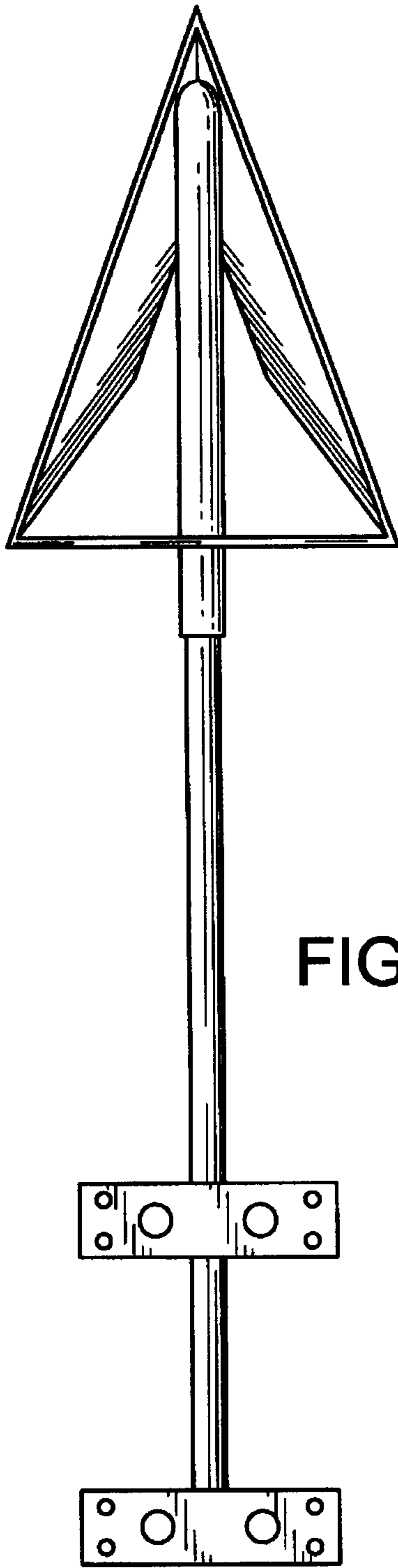


FIG. 2

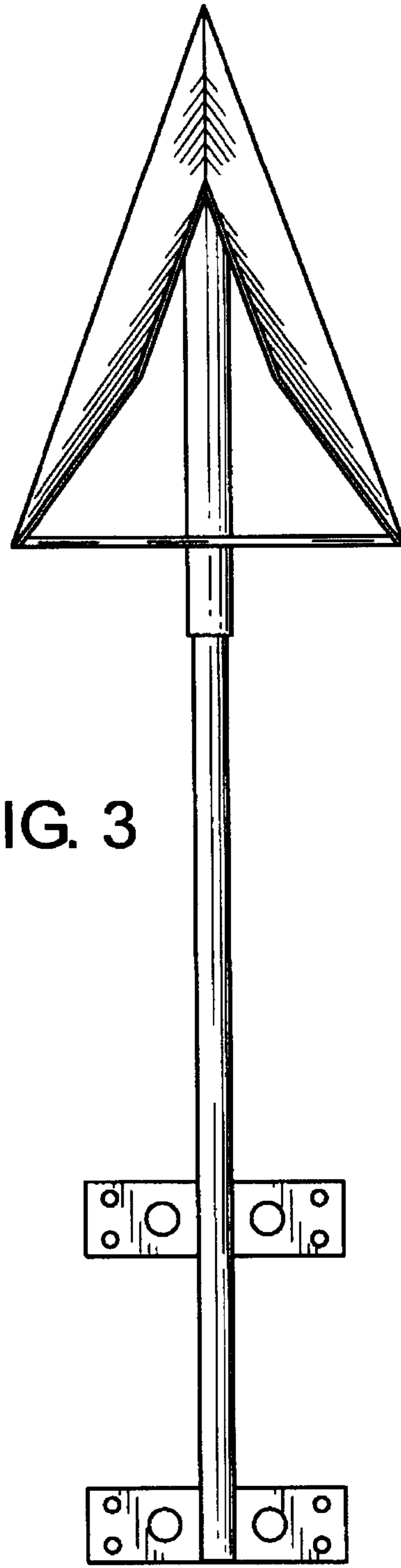


FIG. 3

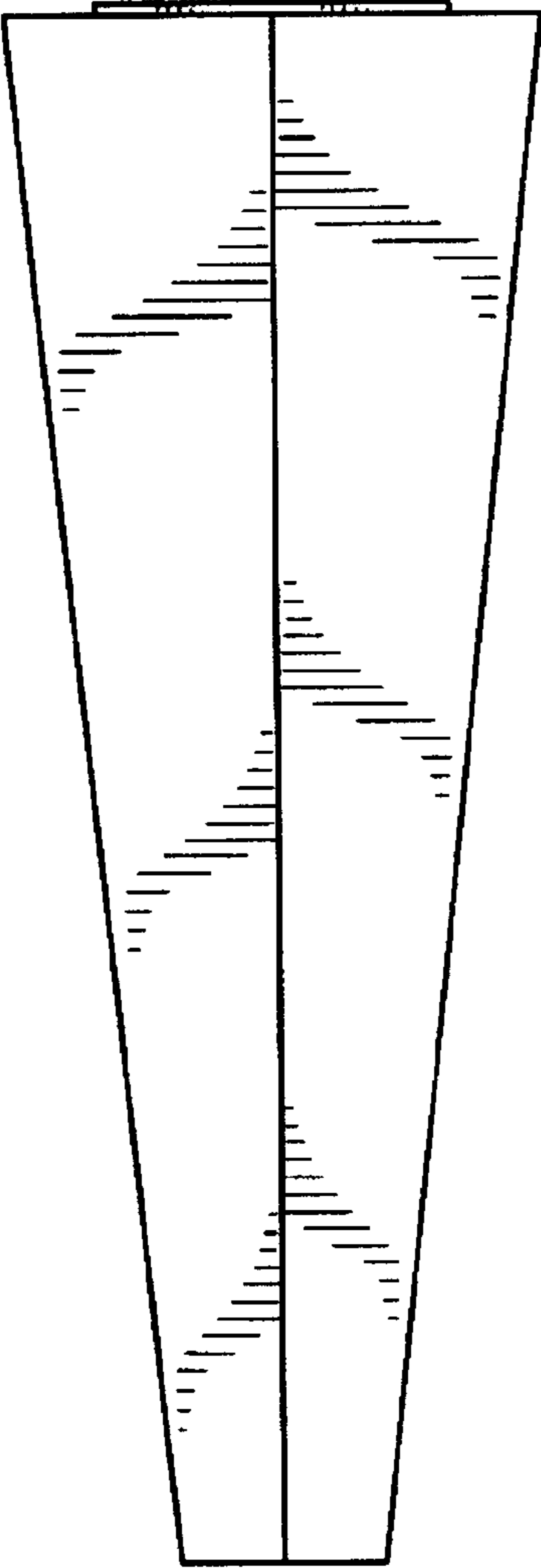


FIG. 4

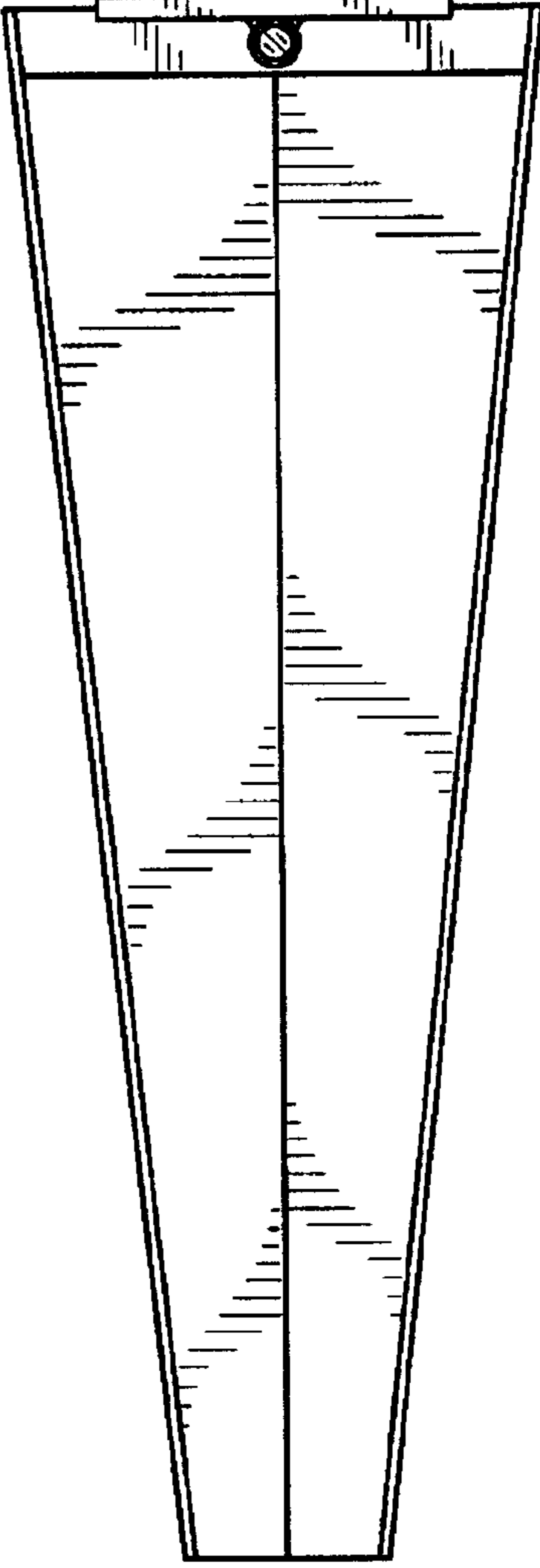


FIG. 5

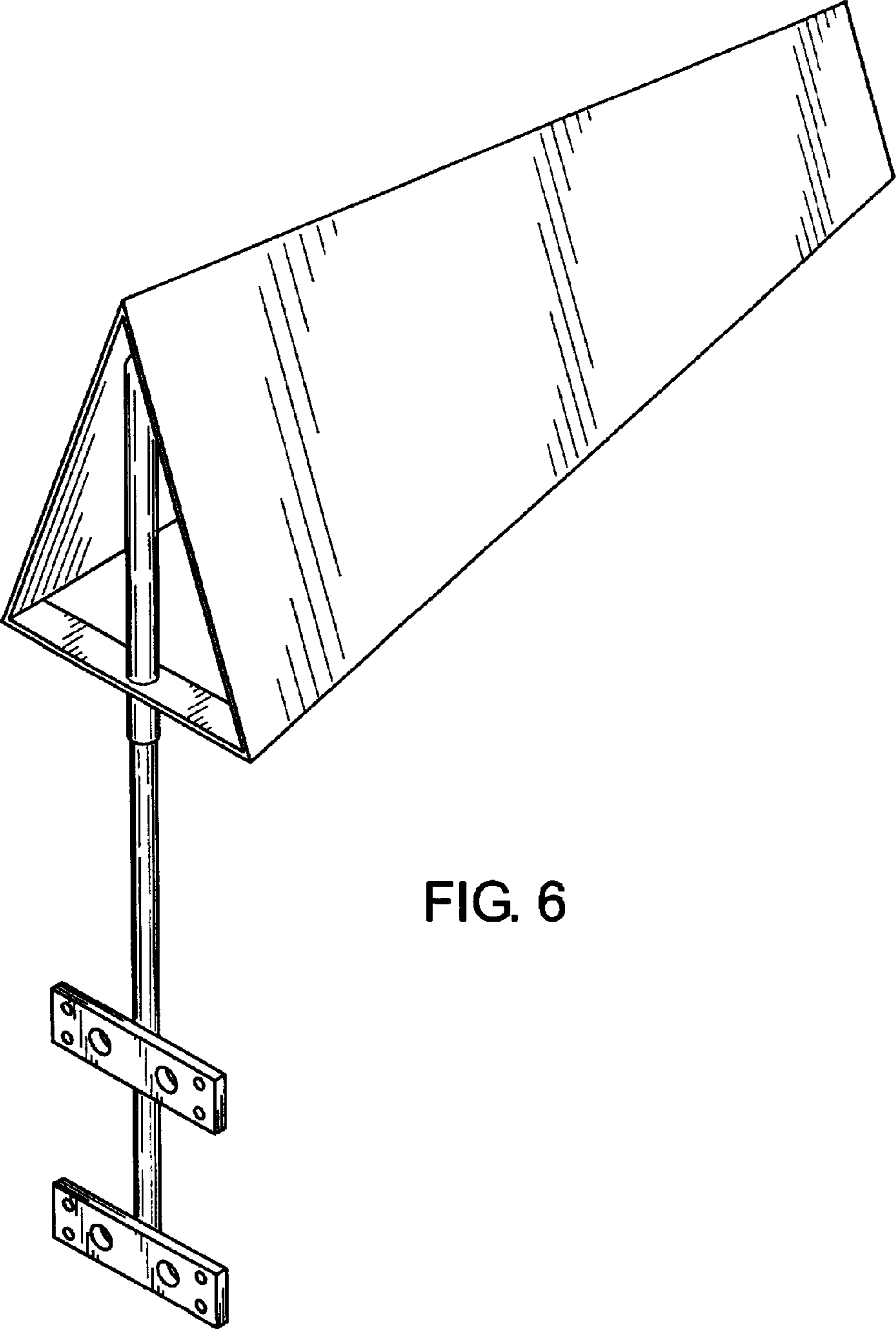


FIG. 6