



US00D513191S

(12) **United States Design Patent** (10) **Patent No.:** **US D513,191 S**
Bretz et al. (45) **Date of Patent:** **** *Dec. 27, 2005**

(54) **BOTTLE**
(75) Inventors: **John M. Bretz**, Crsytal Lake, IL (US);
John L. Konieczka, Lake Barrington,
IL (US); **Scott A. Schoessel**, Evantson,
IL (US); **Jill Maine**, Chicago, IL (US);
Roland Charriez, Mohegan Lake, NY
(US)
(73) Assignee: **Stokely-Van Camp, Inc.**, Chicago, IL
(US)

(*) Notice: This patent is subject to a terminal dis-
claimer.
(**) Term: **14 Years**

(21) Appl. No.: **29/169,343**
(22) Filed: **Oct. 18, 2002**

(51) **LOC (6) Cl.** **09-01**
(52) **U.S. Cl.** **D9/667; D9/537; D9/553**
(58) **Field of Search** **D9/307, 500-504,**
D9/516-520, 537-543, 549-550, 552, 556-564,
569-570; 215/379-383, 400; 220/890

(56) **References Cited**
U.S. PATENT DOCUMENTS

D294,462 S	3/1988	Ota et al.	D9/392
D294,678 S	3/1988	Papa	D9/392
5,067,622 A	11/1991	Garver et al.	215/1 C
5,385,250 A *	1/1995	Pasquale	215/374
D369,499 S	5/1996	Scott et al.	D9/520
5,762,221 A	6/1998	Tobias et al.	215/381

D397,614 S	*	9/1998	Krishnakumar et al.	D9/520
6,044,996 A	*	4/2000	Carew et al.	215/381
D426,460 S		6/2000	Krishnakumar et al.	D9/307
D433,322 S		11/2000	Krishnakumar et al.	D9/307
D438,455 S		3/2001	Bretz et al.	D9/307
D438,456 S		3/2001	Bretz et al.	D9/307
D441,641 S		5/2001	Piccioli et al.	D9/307
D442,474 S		5/2001	Piccioli et al.	D9/307
D445,033 S		7/2001	Bretz et al.	D9/520
D446,112 S		8/2001	Bretz et al.	D9/307
D446,446 S		8/2001	Bretz et al.	D9/307
D446,711 S		8/2001	Bretz et al.	D9/307
D456,704 S		5/2002	Ranchetti	D9/307
D457,055 S		5/2002	Ranchetti	D9/307
D457,056 S		5/2002	Ranchetti	D9/307
2002/0104820 A1		8/2002	Hong et al.	215/381

* cited by examiner

Primary Examiner—Sandra L. Morris
(74) *Attorney, Agent, or Firm*—Lars S. Johnson; James D. Ryndak

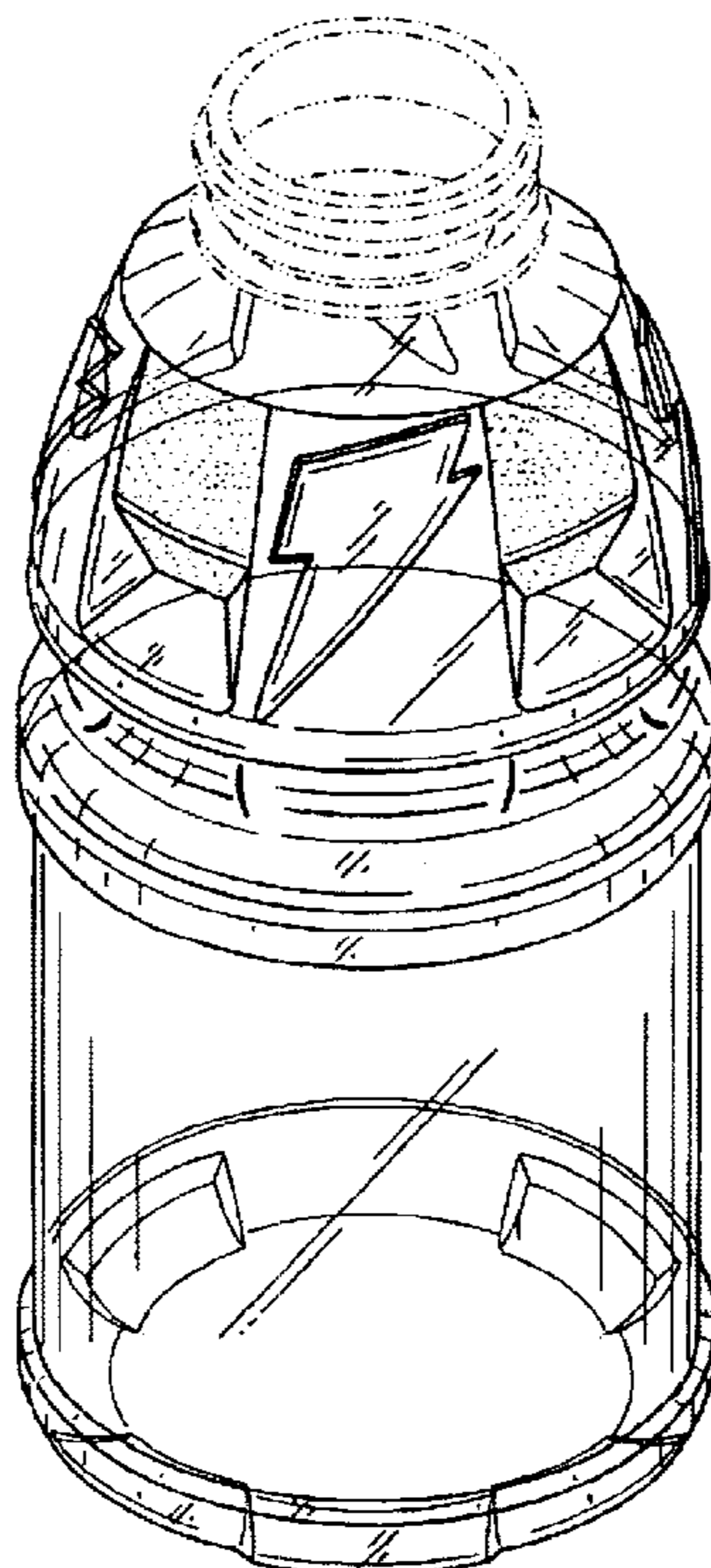
(57) **CLAIM**

The ornamental design for a bottle, as shown and described.

DESCRIPTION

FIG. 1 is a perspective view of a bottle showing the new design;
FIG. 2 is an elevational view thereof;
FIG. 3 is a top plan view thereof; and,
FIG. 4 is a bottom plan view thereof.
The broken line showing is for illustrative purposes only, and forms no part of the claimed design.

1 Claim, 2 Drawing Sheets



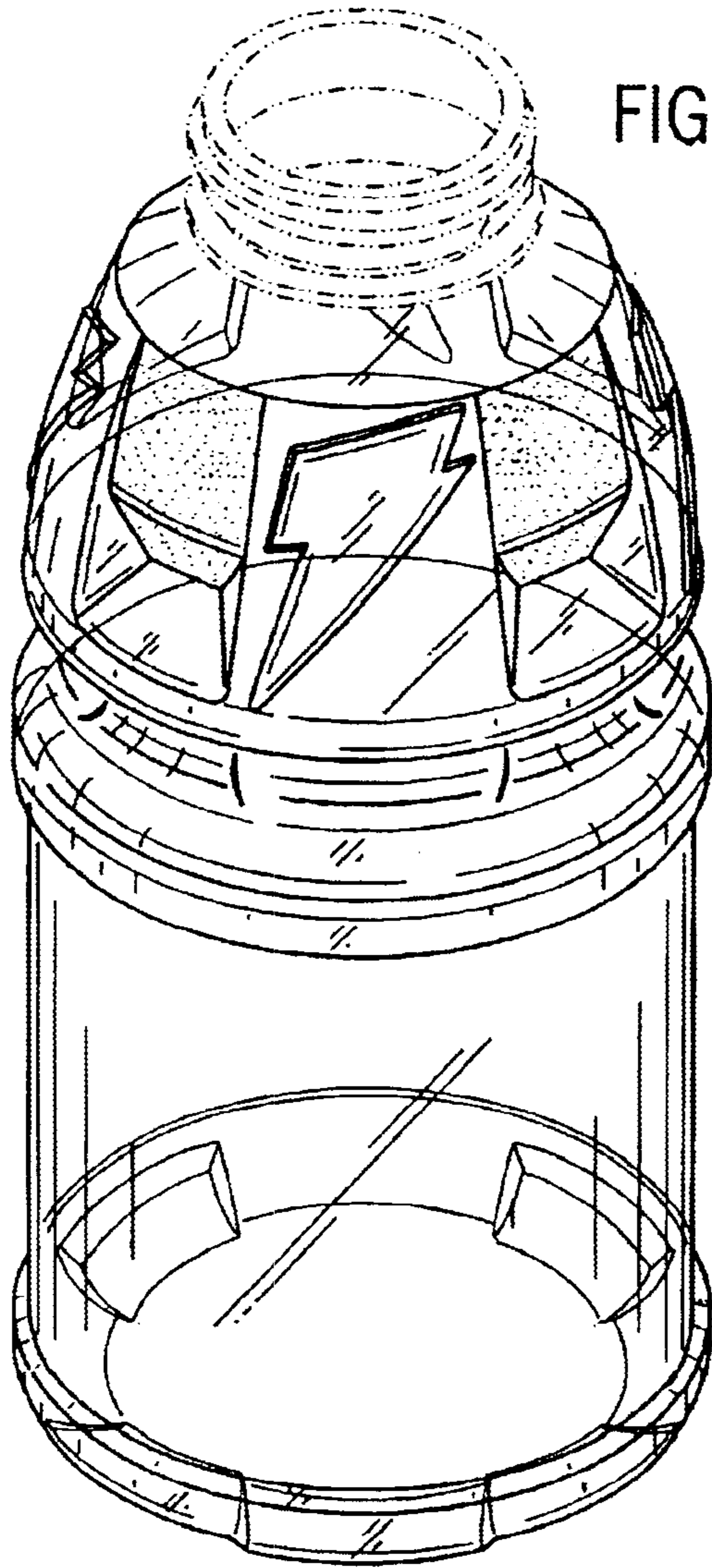


FIG. 1

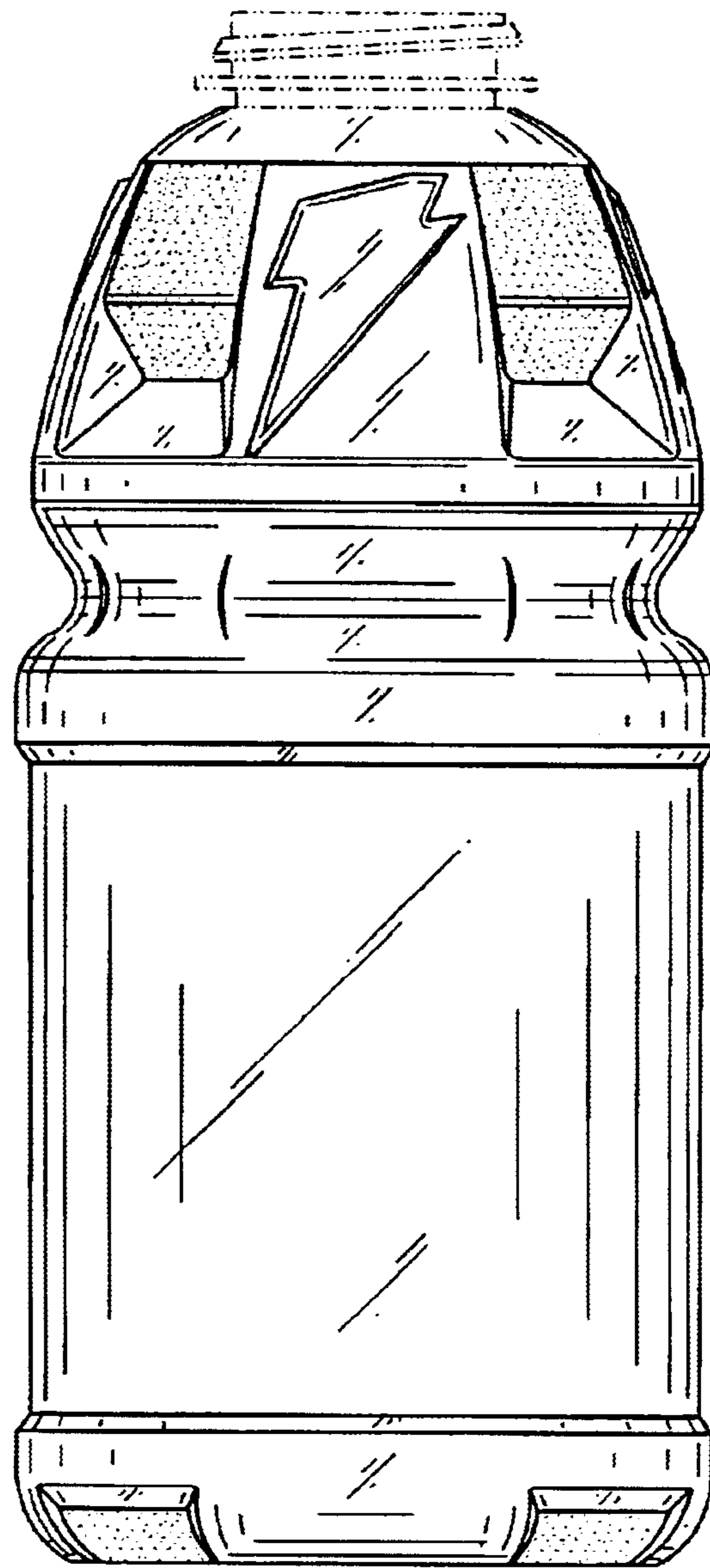


FIG. 2

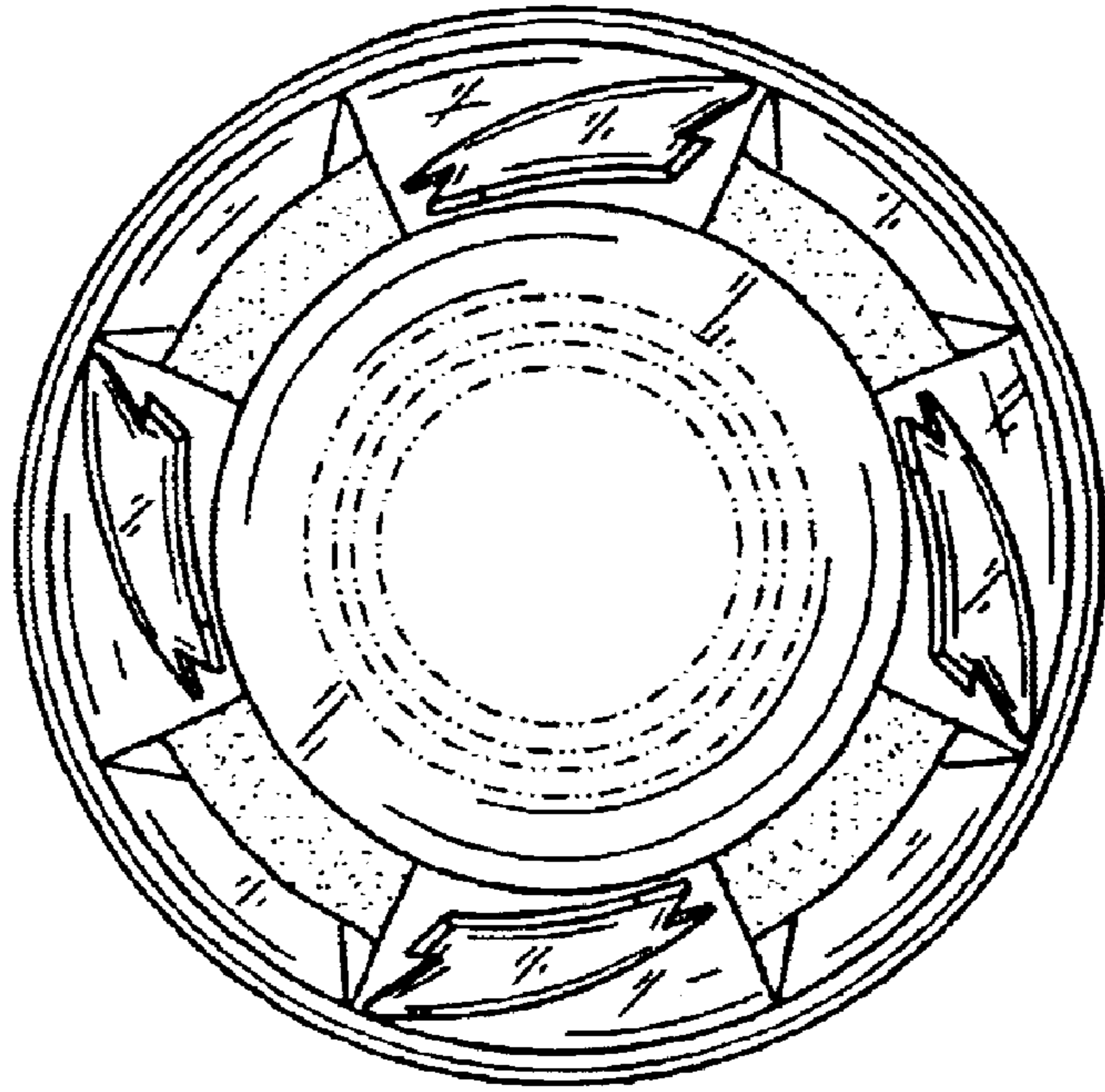


FIG. 3

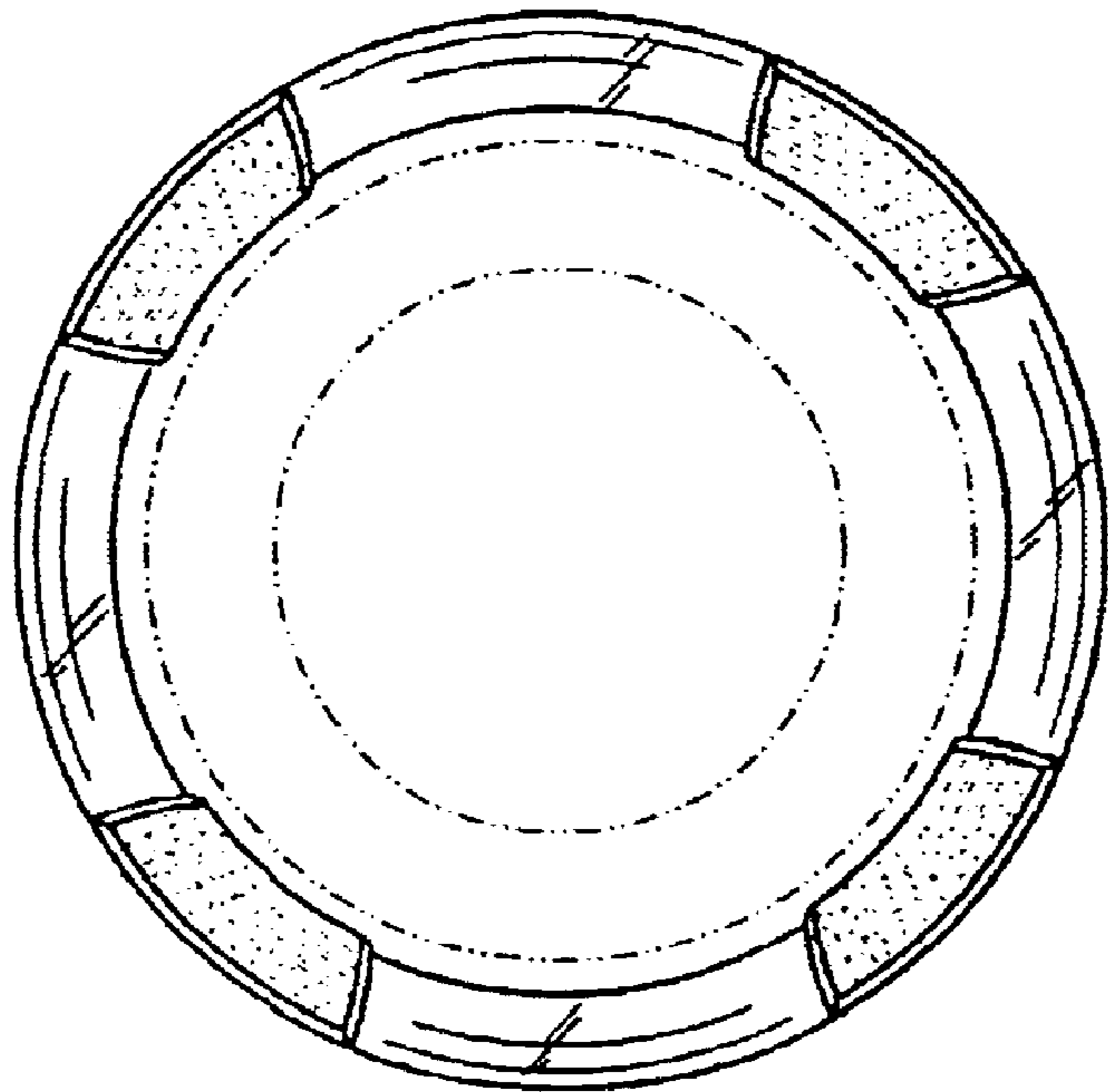


FIG. 4