



US00D513185S

(12) **United States Design Patent**  
**Ruiz**

(10) **Patent No.:** **US D513,185 S**

(45) **Date of Patent:** **\*\* Dec. 27, 2005**

(54) **CANDY CONTAINER**

(75) **Inventor:** **Jaime Alejandro Okusono Ruiz**, Santa Catarina (MX)

(73) **Assignee:** **Mars Incorporated**, McLean, VA (US)

(\*\*) **Term:** **14 Years**

(21) **Appl. No.:** **29/204,929**

(22) **Filed:** **May 7, 2004**

(30) **Foreign Application Priority Data**

Nov. 7, 2003 (MX) ..... 2003/001290

(51) **LOC (6) Cl.** ..... **09-01**

(52) **U.S. Cl.** ..... **D9/504; D1/105**

(58) **Field of Search** ..... D9/682, 686-694, D9/718, 723-724, 500, 502-505, 509, 511, 513, 515-516, 521, 529-530, 537-540, 545, 549, 556-558, 435, 443-446, 449, 454; D1/102-103, 105, 130, 199; 215/12.1-12.2, 382-384; 220/4.27, 23.4, 23.83, 561, 761, 766, 770; D7/679

(56) **References Cited**

**U.S. PATENT DOCUMENTS**

D217,585 S \* 5/1970 Lambelet ..... D9/500  
D229,168 S \* 11/1973 Silfang ..... D9/504  
D250,556 S \* 12/1978 Shorin et al. .... D1/102  
D307,223 S \* 4/1990 Rossari ..... D7/679  
D312,878 S \* 12/1990 Mariol ..... D24/197  
D315,480 S \* 3/1991 Wu ..... D7/679  
D356,160 S \* 3/1995 Cautereels ..... D24/197

D382,811 S \* 8/1997 Kotyuk et al. .... D9/542  
D398,519 S \* 9/1998 Keene ..... D9/520  
D406,764 S \* 3/1999 Bright et al. .... D9/503  
D428,339 S \* 7/2000 Johnston et al. .... D9/503  
D430,232 S \* 8/2000 She ..... D21/513  
D471,438 S \* 3/2003 Bianco et al. .... D9/529 X  
D478,669 S \* 8/2003 Wear ..... D24/197  
D502,397 S \* 3/2005 Lopez-Villasenor ..... D9/503

**FOREIGN PATENT DOCUMENTS**

GB 2096059 \* 10/2000

\* cited by examiner

*Primary Examiner*—Carol Rademaker

(74) *Attorney, Agent, or Firm*—Fitzpatrick, Cella, Harper & Scinto

(57) **CLAIM**

The ornamental design for a candy container, substantially as shown and described.

**DESCRIPTION**

FIG. 1 is a top, front, left side perspective view of a candy container, showing my new design;  
FIG. 2 is a front elevation view thereof, the back, left side, and right side elevation view being the same;  
FIG. 3 is a top plan view thereof;  
FIG. 4 is a top, front perspective view thereof, the cap shown separated from the remainder of the candy container for clarity of illustration; and,  
FIG. 5 is a top, front fully exploded view of the candy container shown in FIG. 1.

**1 Claim, 3 Drawing Sheets**

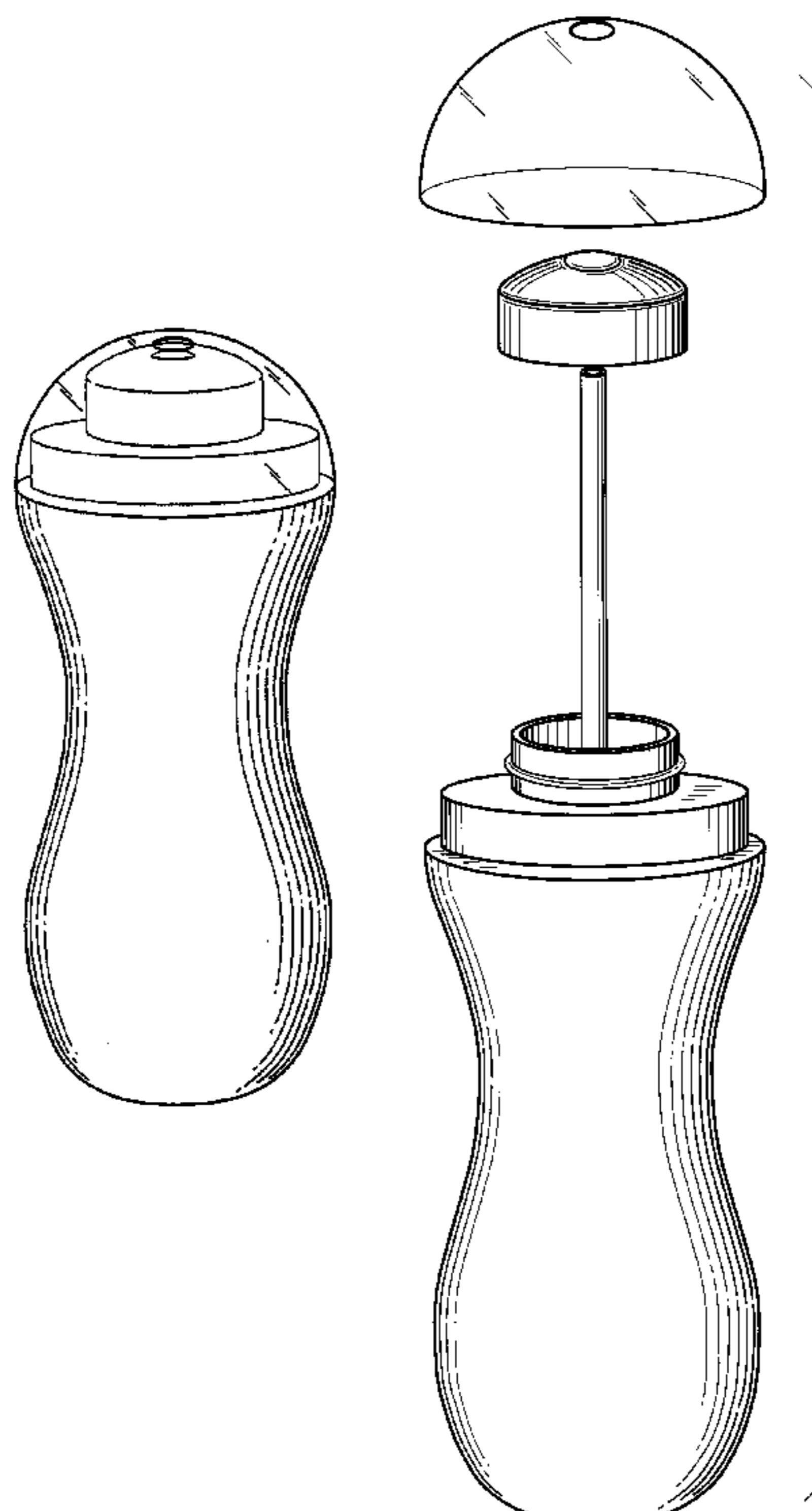


FIG. 1

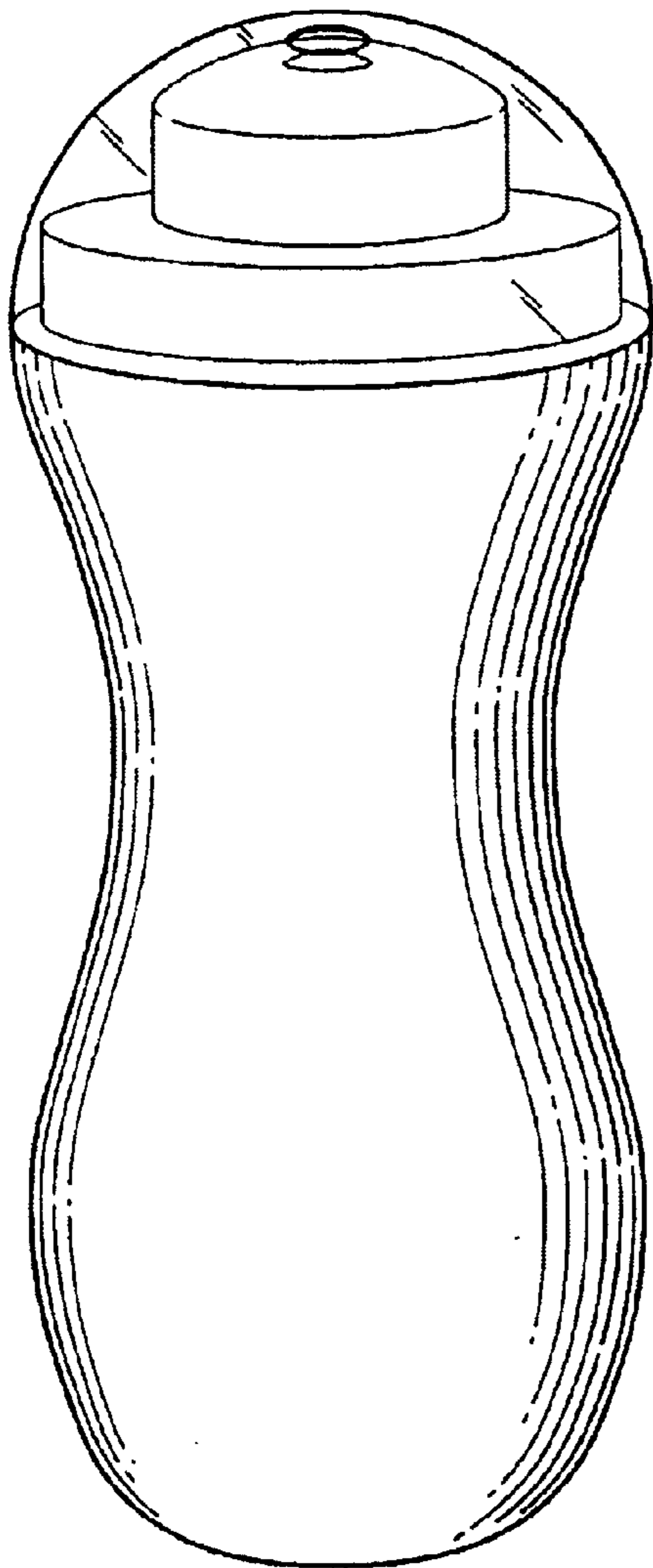
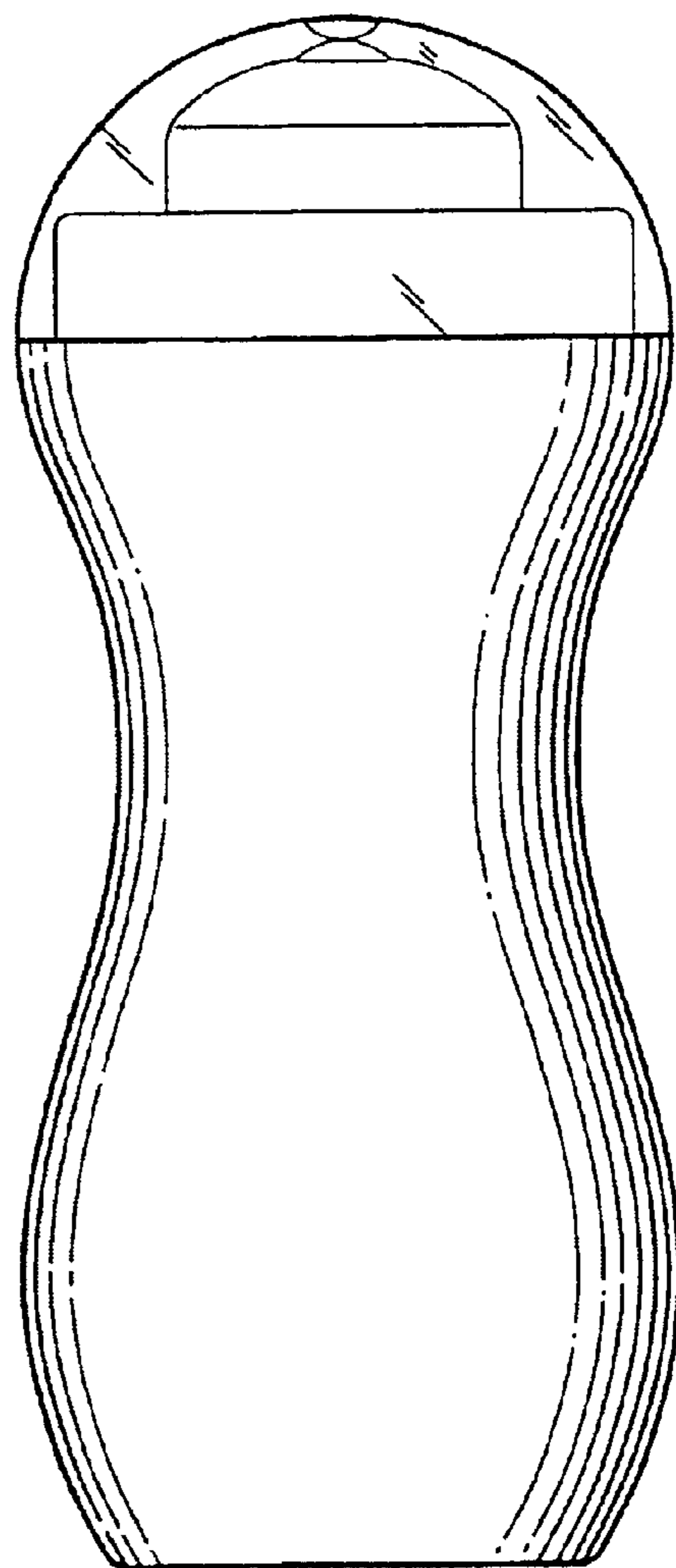
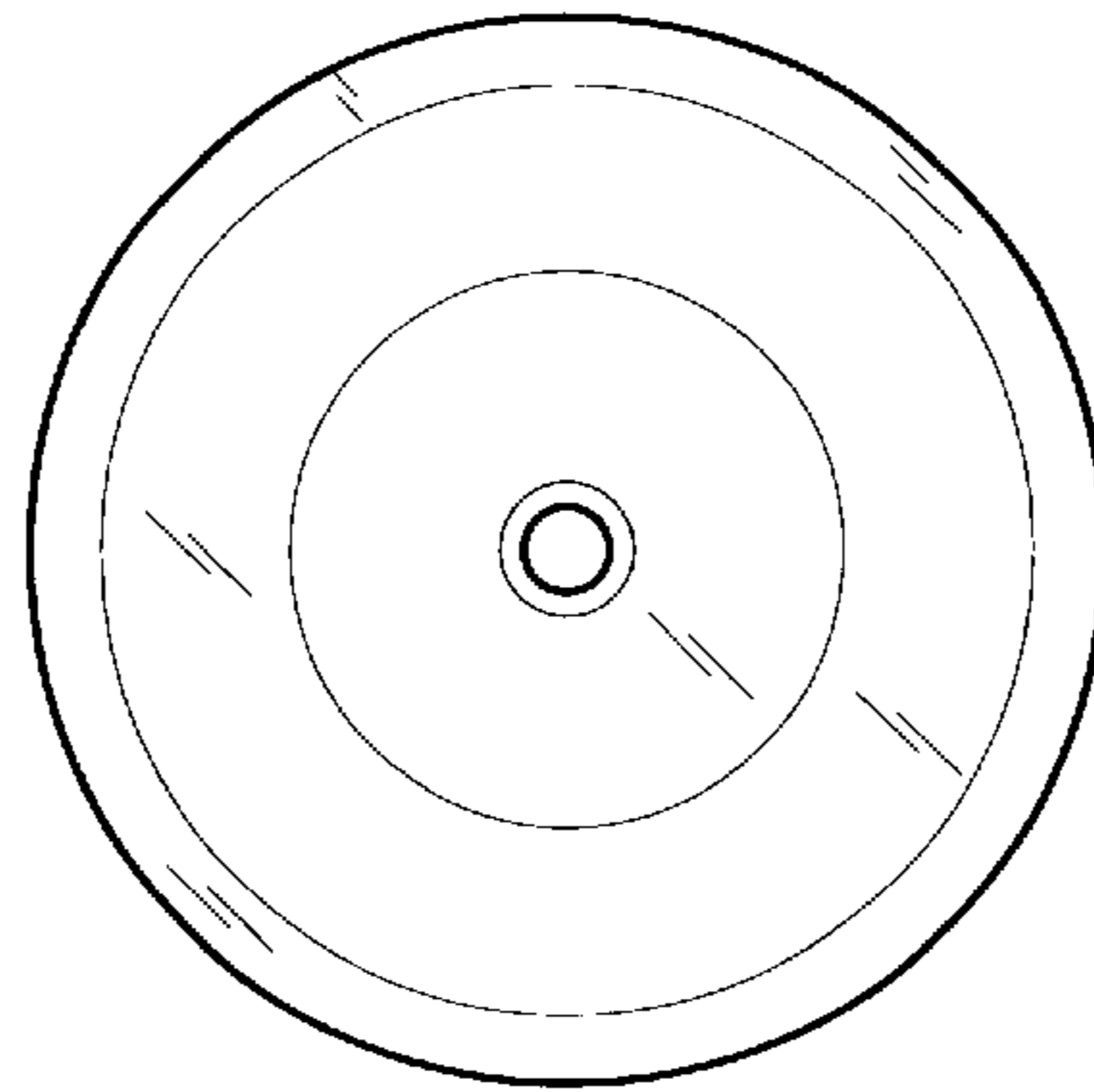


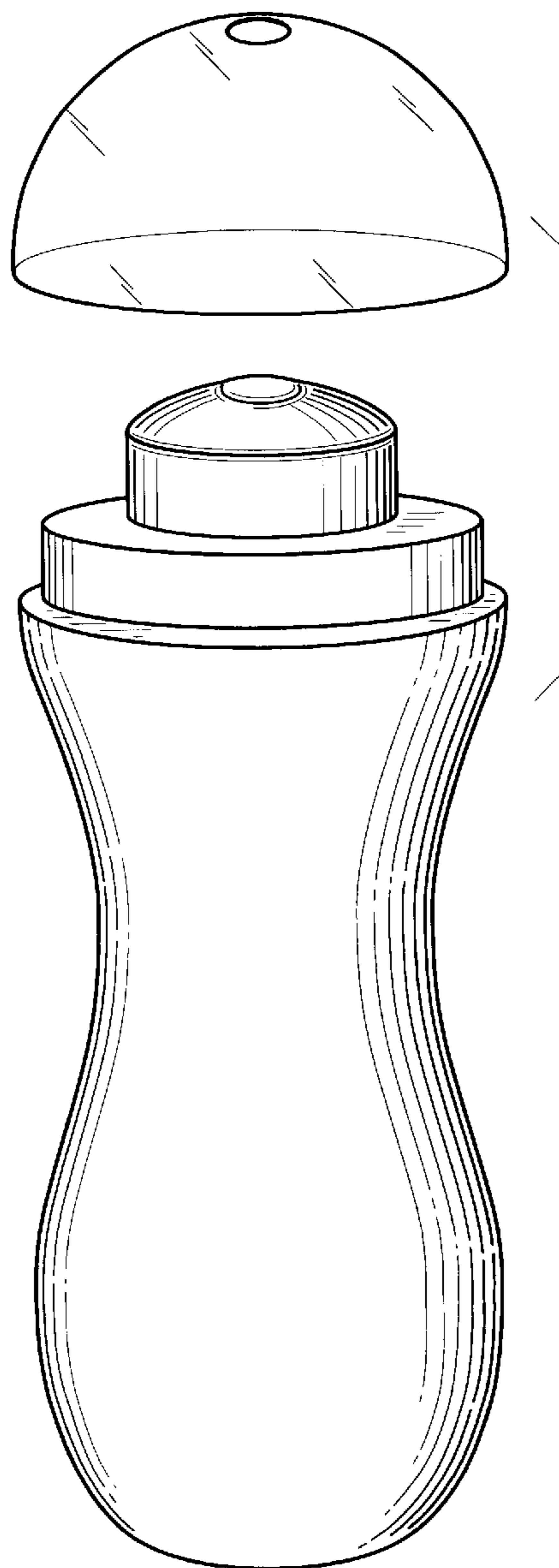
FIG. 2



**FIG. 3**



**FIG. 4**



**FIG. 5**

