



US00D513184S

(12) **United States Design Patent** (10) **Patent No.:** **US D513,184 S**  
**Parker** (45) **Date of Patent:** **\*\* Dec. 27, 2005**

- (54) **ARTICLE OF PACKAGING**
- (75) **Inventor:** **Eileen Parker**, Scotland (GB)
- (73) **Assignee:** **Talisker Bay International Limited**,  
Scotland (GB)
- (\*\*) **Term:** **14 Years**
- (21) **Appl. No.:** **29/186,971**
- (22) **Filed:** **Jul. 25, 2003**
- (51) **LOC (6) Cl.** ..... **09-07**
- (52) **U.S. Cl.** ..... **D9/499**
- (58) **Field of Search** ..... D9/755, 732, 499,  
D9/456, 455, 453, 452, 432, 431, 429,  
428, 425, 424, 418, 414; D7/672, 641,  
629, 610, 608, 602, 601, 587, 584; D3/272,  
269; 426/114, 106; 229/906, 904, 903,  
902, 407, 406; 220/DIG. 12, 675, 672,  
670, 669, 574, 556, 4.26, 306, 557, 508,  
203

- 5,405,717 A \* 4/1995 Hasvold ..... 429/119
- D368,410 S \* 4/1996 Shiner ..... D7/608
- D386,084 S \* 11/1997 Marseglia ..... D9/455
- D402,766 S \* 12/1998 Smith et al. .... D9/455
- D405,192 S \* 2/1999 Smith et al. .... D9/455
- D455,552 S \* 4/2002 Charness ..... D9/418
- D480,969 S \* 10/2003 Owens ..... D9/455

\* cited by examiner

*Primary Examiner*—Robert M. Spear  
*Assistant Examiner*—Susan Bennett Hattan  
 (74) *Attorney, Agent, or Firm*—Dowell & Dowell, P.C.

(57) **CLAIM**

The ornamental design for an article of packaging, as shown and described.

**DESCRIPTION**

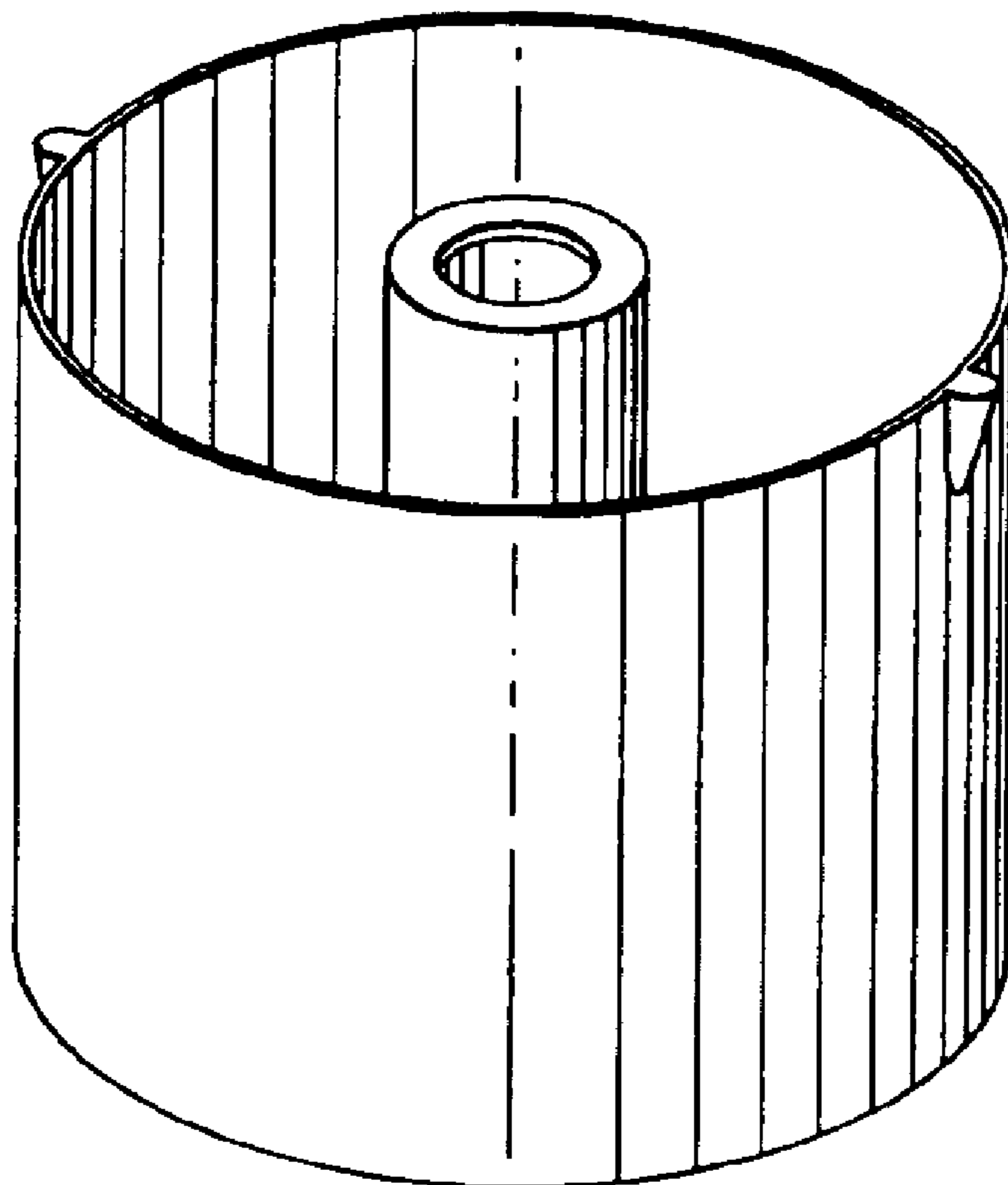
FIG. 1 is a front perspective view of an article of packaging showing my new design;  
 FIG. 2 is a front elevational view, a rear elevational view being a mirror image;  
 FIG. 3 is a top plan view;  
 FIG. 4 is a left side view, a view from the right side being a mirror image; and,  
 FIG. 5 is a bottom plan view.

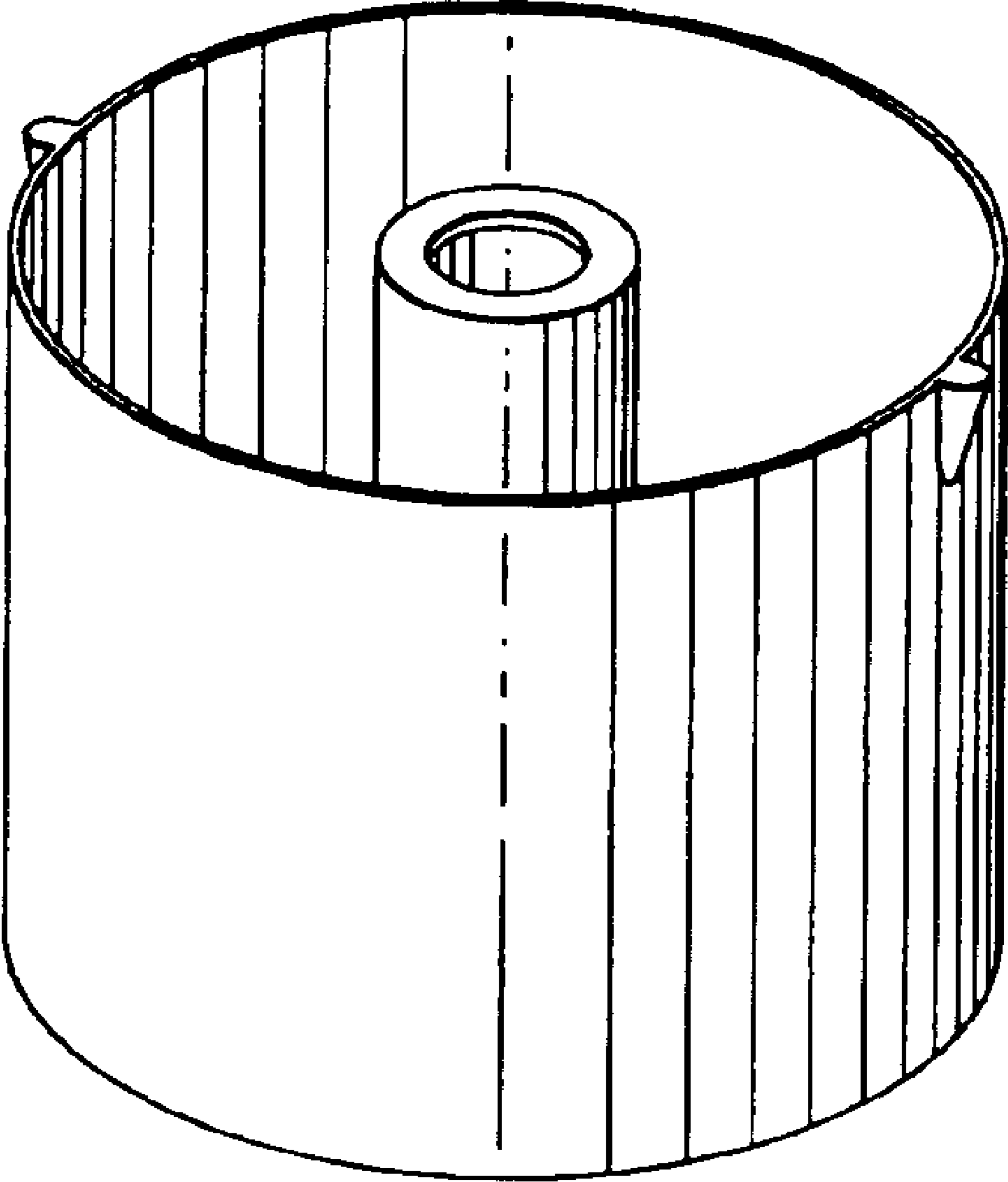
(56) **References Cited**

**U.S. PATENT DOCUMENTS**

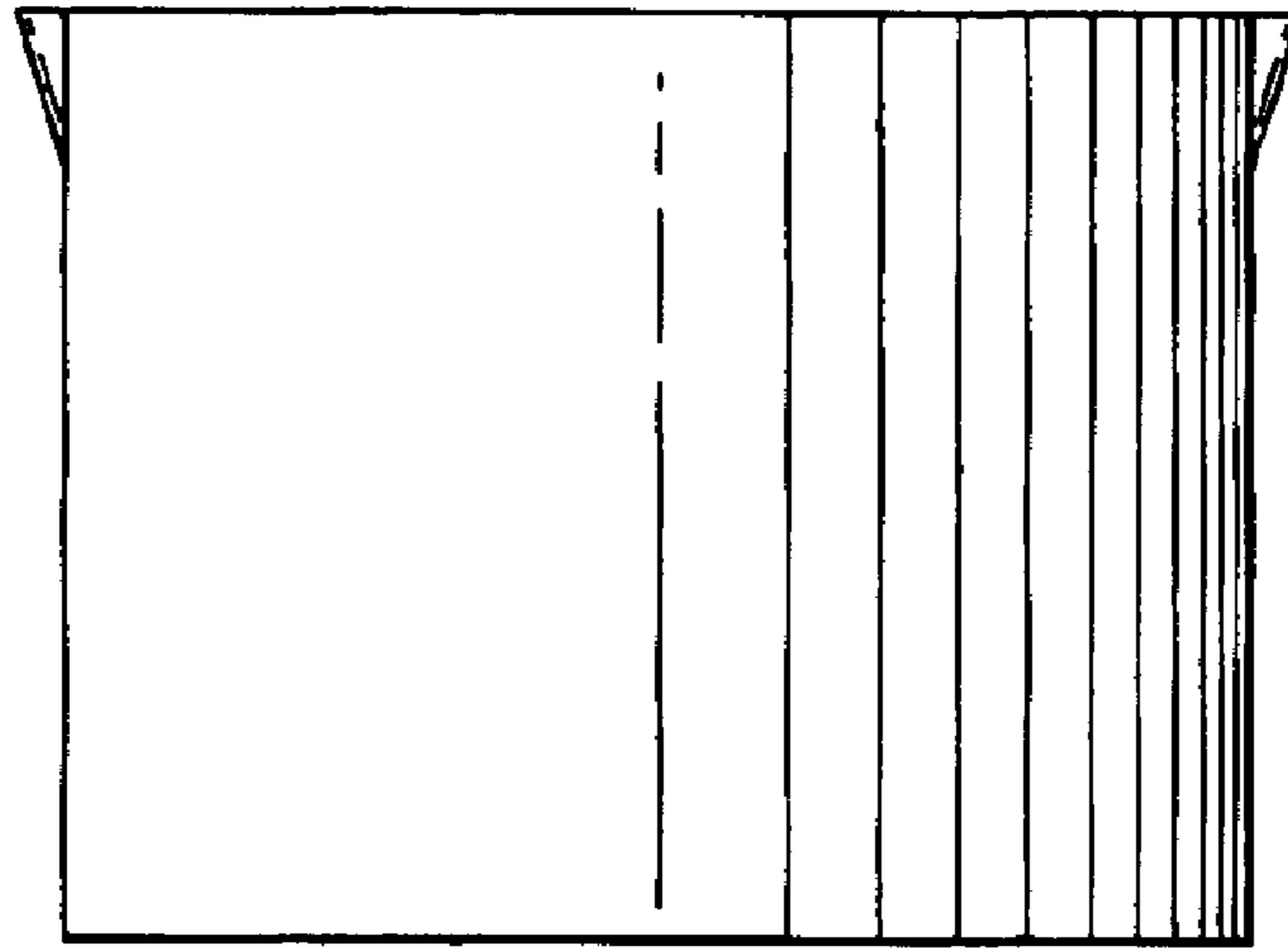
- 4,051,974 A \* 10/1977 Gentile ..... 215/329
- D290,920 S \* 7/1987 Zaruba et al. .... D7/672
- 4,806,289 A \* 2/1989 Laursen et al. .... 264/1.29

**1 Claim, 3 Drawing Sheets**

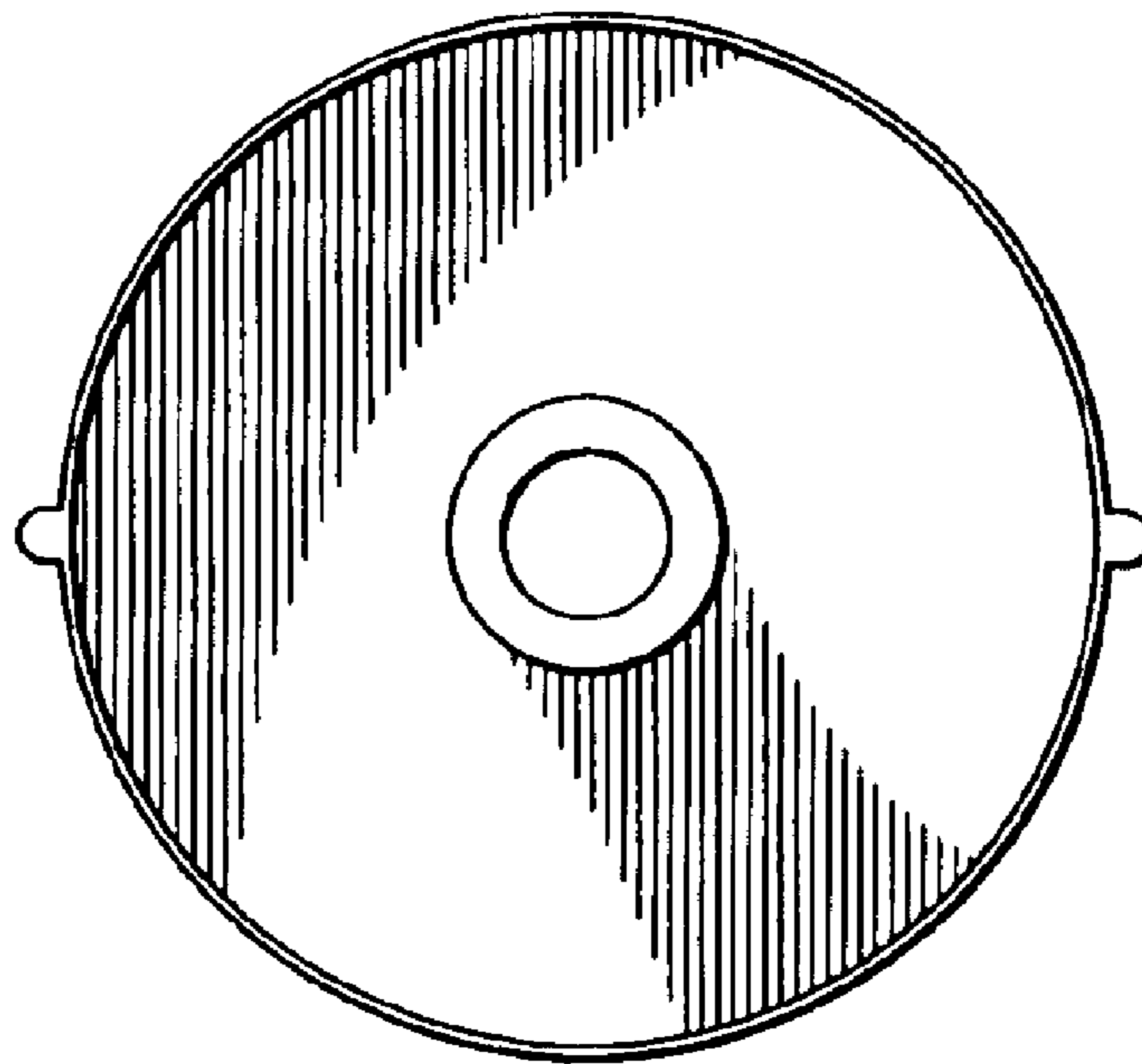




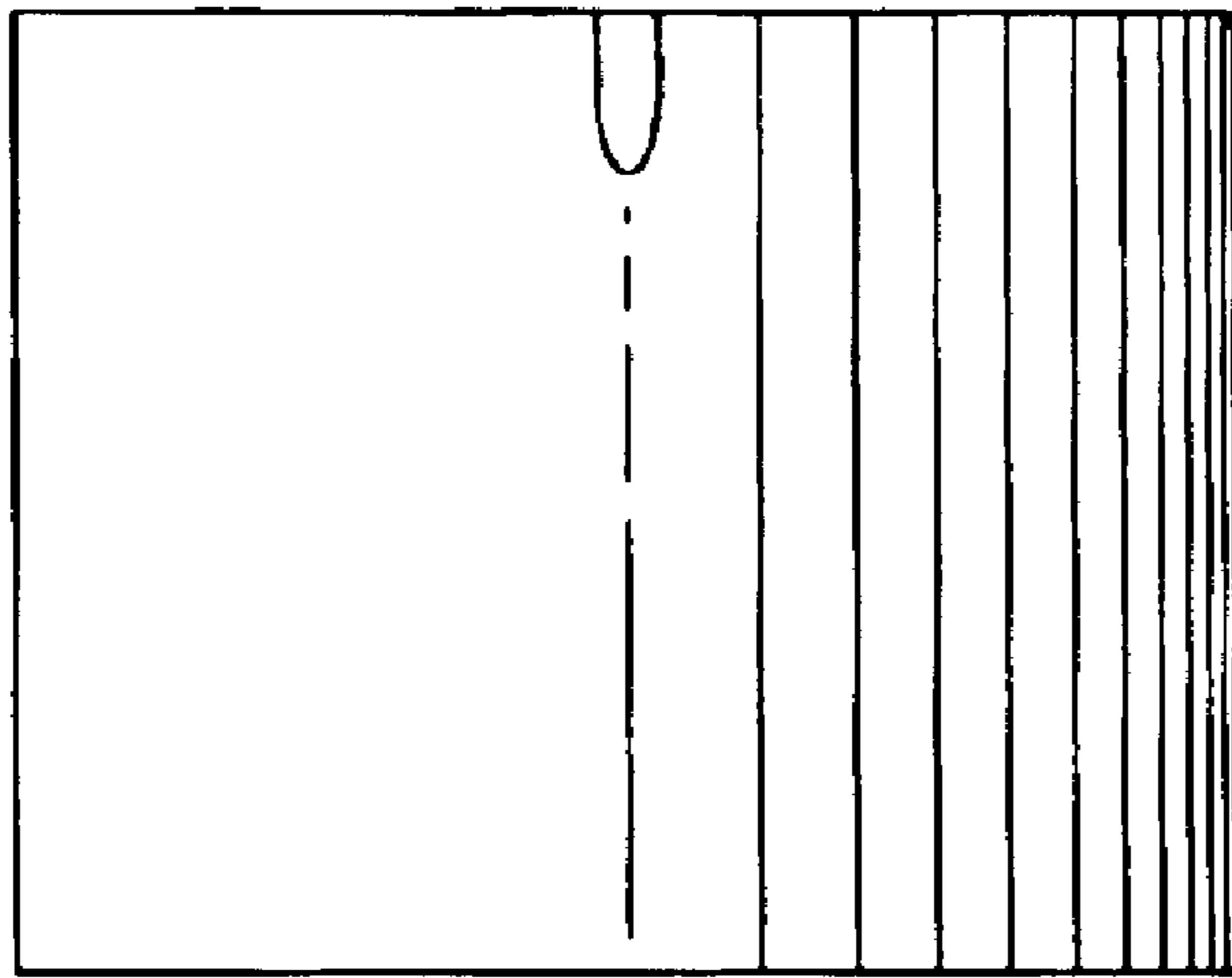
*Fig. 1*



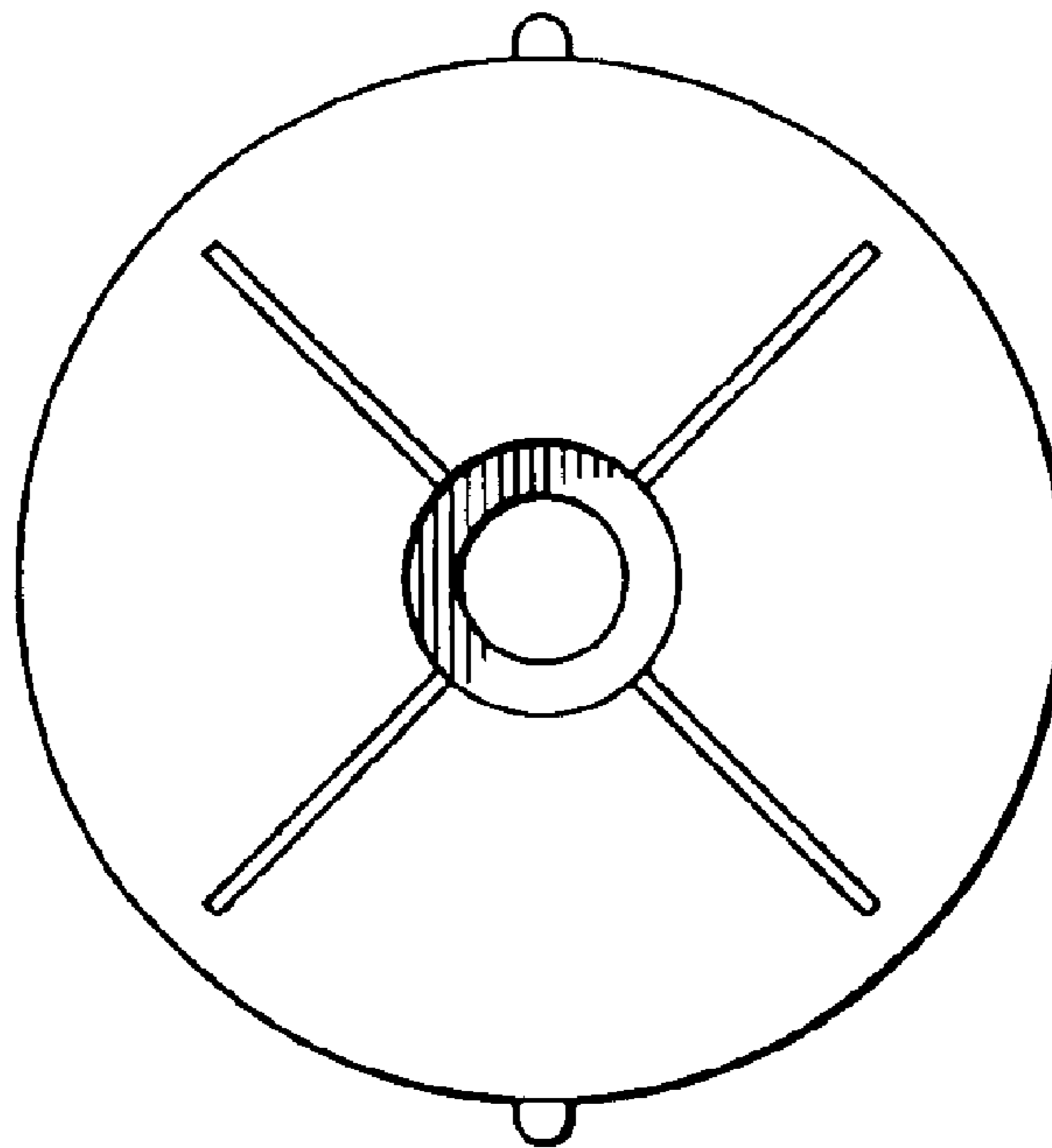
*Fig. 2*



*Fig. 3*



*Fig. 4*



*Fig. 5*