



US00D513181S

(12) **United States Design Patent** (10) **Patent No.:** **US D513,181 S**  
**Bloom et al.** (45) **Date of Patent:** **\*\* Dec. 27, 2005**

(54) **CLOSURE SHELL**

(75) Inventors: **Kenneth S. Bloom**, Bloomdale, OH (US); **Wendell D. Willingham**, Perrysburg, OH (US)

(73) Assignee: **Owens Illinois Closure Inc.**, Toledo, OH (US)

(\*\*) Term: **14 Years**

(21) Appl. No.: **29/201,323**

(22) Filed: **Mar. 11, 2004**

(51) **LOC (6) Cl.** ..... **09-07**

(52) **U.S. Cl.** ..... **D9/453; D9/454**

(58) **Field of Search** ..... D9/455, 548, 435, D9/449, 438, 569, 556, 537, 529, 454, 453; D24/197, 199, 224, 196; 220/253; 215/11.3, 11.1, 334, 329, 252, 250, 219, 217, 216, 214, 222, 232, 253; 206/562

D320,085 S \* 9/1991 Beranek et al. .... D24/197  
D358,769 S \* 5/1995 Luch et al. .... D9/453  
D368,658 S 4/1996 Hirsch  
D369,748 S \* 5/1996 Zemlo et al. .... D9/453  
5,853,097 A 12/1998 Ekkert  
D405,530 S \* 2/1999 Manganiello et al. .... D24/196  
D407,978 S 4/1999 Petro  
D417,397 S \* 12/1999 Forecast et al. .... D9/453  
D436,862 S 1/2001 Witt et al.  
D437,228 S \* 2/2001 Collins ..... D9/453  
D453,109 S 1/2002 Piquet  
6,382,440 B1 5/2002 Brant et al.  
D458,138 S \* 6/2002 Fuchs ..... D9/453  
D465,731 S 11/2002 Brant et al.  
D475,924 S 6/2003 Haffner  
D481,801 S \* 11/2003 Whitley ..... D9/435  
2003/0221987 A1 12/2003 Trude

\* cited by examiner

*Primary Examiner*—Robert M. Spear  
*Assistant Examiner*—Susan Bennett Hattan

(56) **References Cited**

**U.S. PATENT DOCUMENTS**

D51,893 S \* 3/1918 Temple ..... D9/454  
D124,623 S 1/1941 Jung  
D145,512 S 9/1946 Derham  
2,643,785 A \* 6/1953 Rust, Sr. .... 215/11.3  
2,746,631 A \* 5/1956 Witz ..... 215/11.1  
3,746,198 A \* 7/1973 Howland ..... 215/11.1  
D247,351 S 2/1978 Bathropp  
D250,633 S 12/1978 Bouthillier et al.  
D290,323 S 6/1987 Weernink  
4,981,230 A \* 1/1991 Marshall et al. .... 215/252  
D318,804 S 8/1991 Ochs

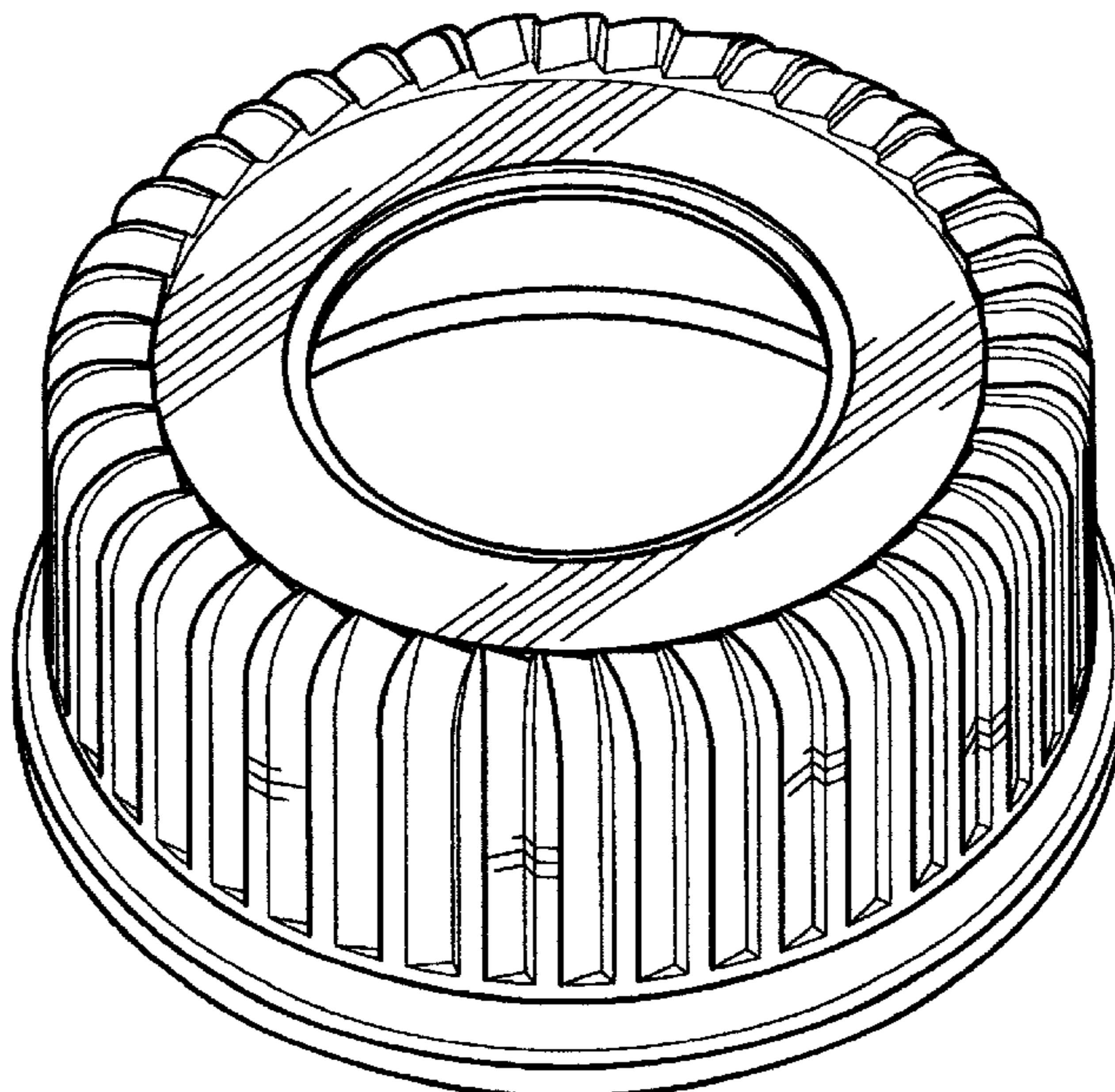
(57) **CLAIM**

We claim the ornamental design for a closure shell, as shown and described.

**DESCRIPTION**

FIG. 1 is a perspective view of a closure shell showing our new design;  
FIG. 2 is a front elevational view thereof, the rear elevational view and two side elevational views being identical; and,  
FIG. 3 is a top plan view thereof, the bottom of the closure shell forming no part of the claimed design.

**1 Claim, 2 Drawing Sheets**



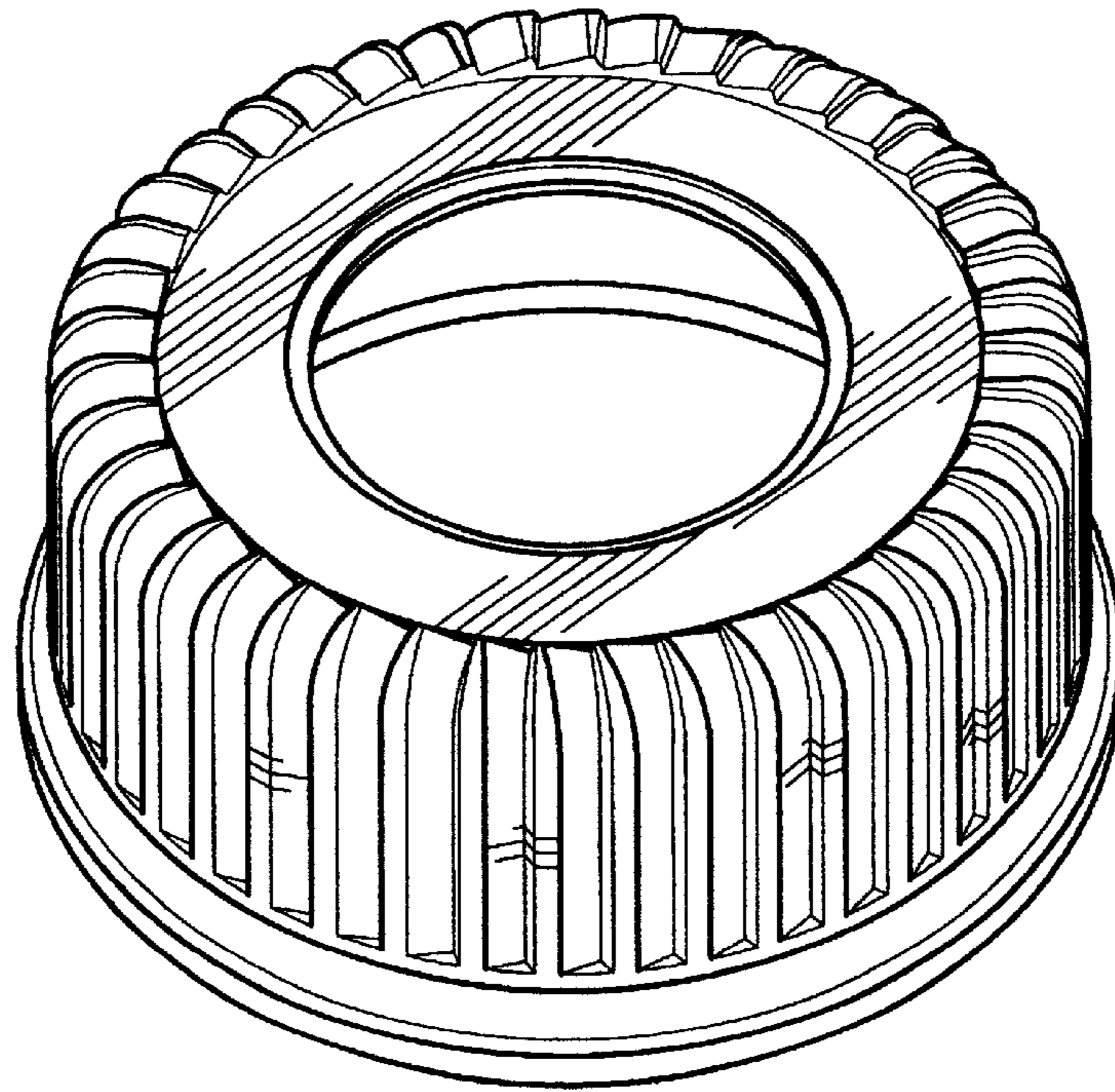


Figure 1

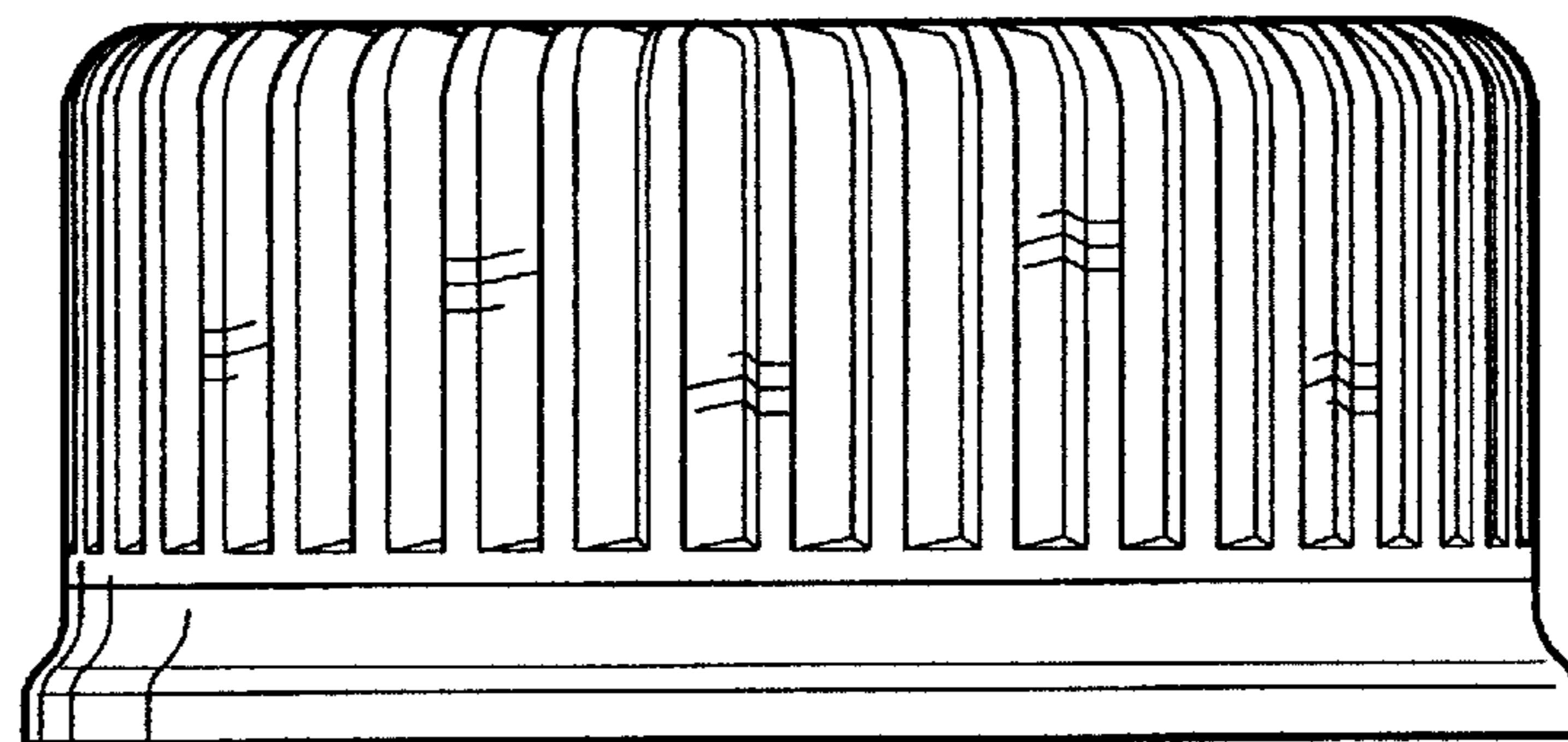


Figure 2

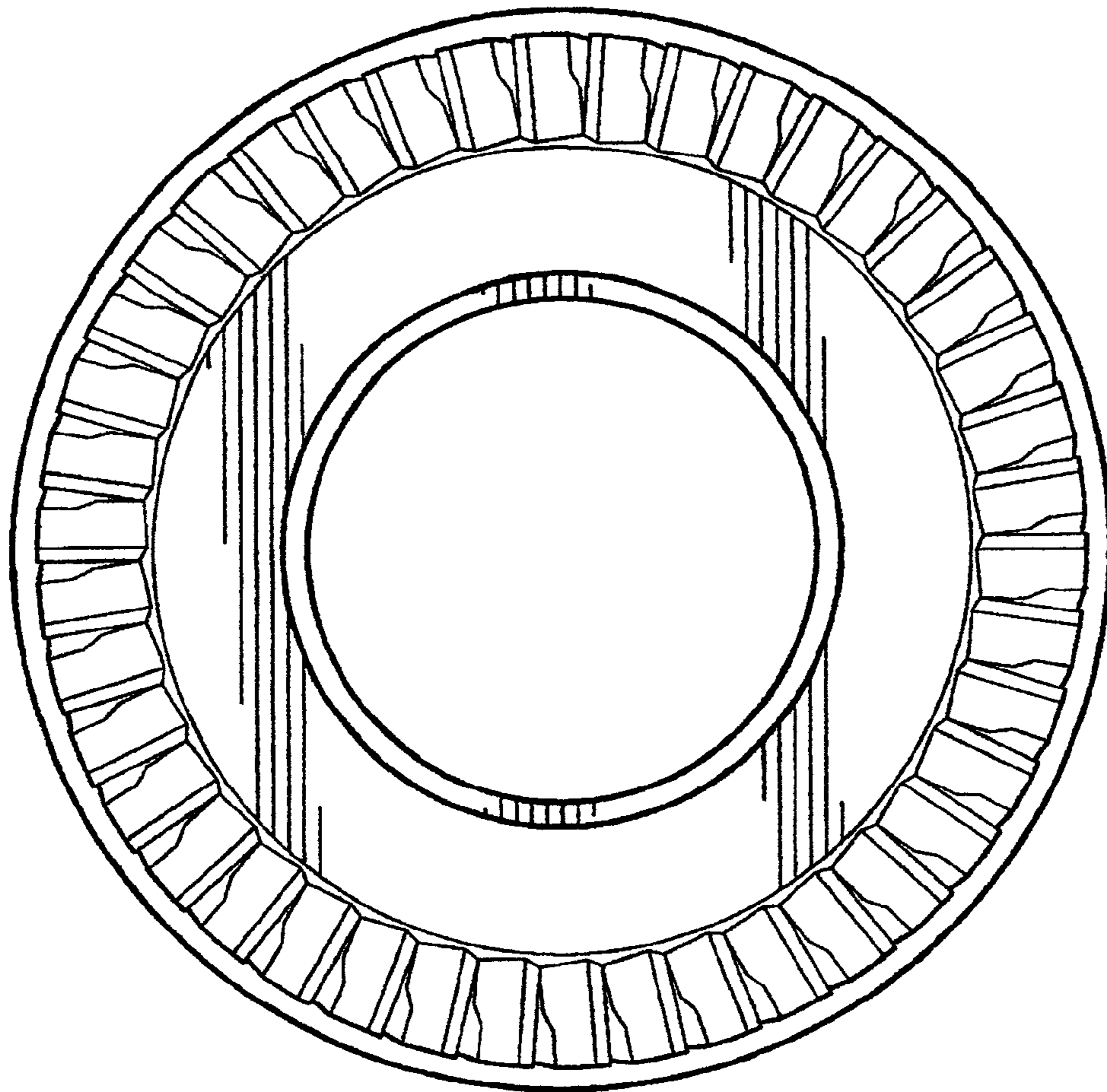


Figure 3