



US00D513179S

(12) **United States Design Patent**
Gavin et al.

(10) **Patent No.: US D513,179 S**
(45) **Date of Patent: ** Dec. 27, 2005**

(54) **MOLDED CONTAINER LID**

(76) Inventors: **Kevin Gavin**, 2780 Shannon Rd., Northbrook, IL (US) 60062; **Gordon Eden**, 1860 Paddington Ave., Naperville, IL (US) 60563; **Eric Monsen**, 3450 N. Lake Shore Dr. #3106, Chicago, IL (US) 60657

(**) Term: **14 Years**

(21) Appl. No.: **29/203,308**

(22) Filed: **Apr. 13, 2004**

(51) **LOC (6) Cl.** **09-07**

(52) **U.S. Cl.** **D9/435**; D34/11

(58) **Field of Search** D9/434, 435, 420, D9/499, 423-425; D3/318, 323; D34/1-11; D7/391; 220/796, 675, 810, 826, 831, 844, 908, 848, 832

(56) **References Cited**

U.S. PATENT DOCUMENTS

4,771,940 A * 9/1988 Taylor 220/832
4,949,866 A * 8/1990 Sanders 220/810
D340,560 S * 10/1993 Taylor D34/11
5,564,586 A * 10/1996 Goodwin, deceased 220/844

D398,430 S * 9/1998 Taylor D34/11
D491,708 S * 6/2004 Taylor D34/11
2003/0146230 A1 * 8/2003 Eaton et al. 220/826
2003/0209557 A1 * 11/2003 Taylor 220/844

* cited by examiner

Primary Examiner—Stella Reid
Assistant Examiner—Mark A. Goodwin

(74) *Attorney, Agent, or Firm*—David J. Bremer

(57) **CLAIM**

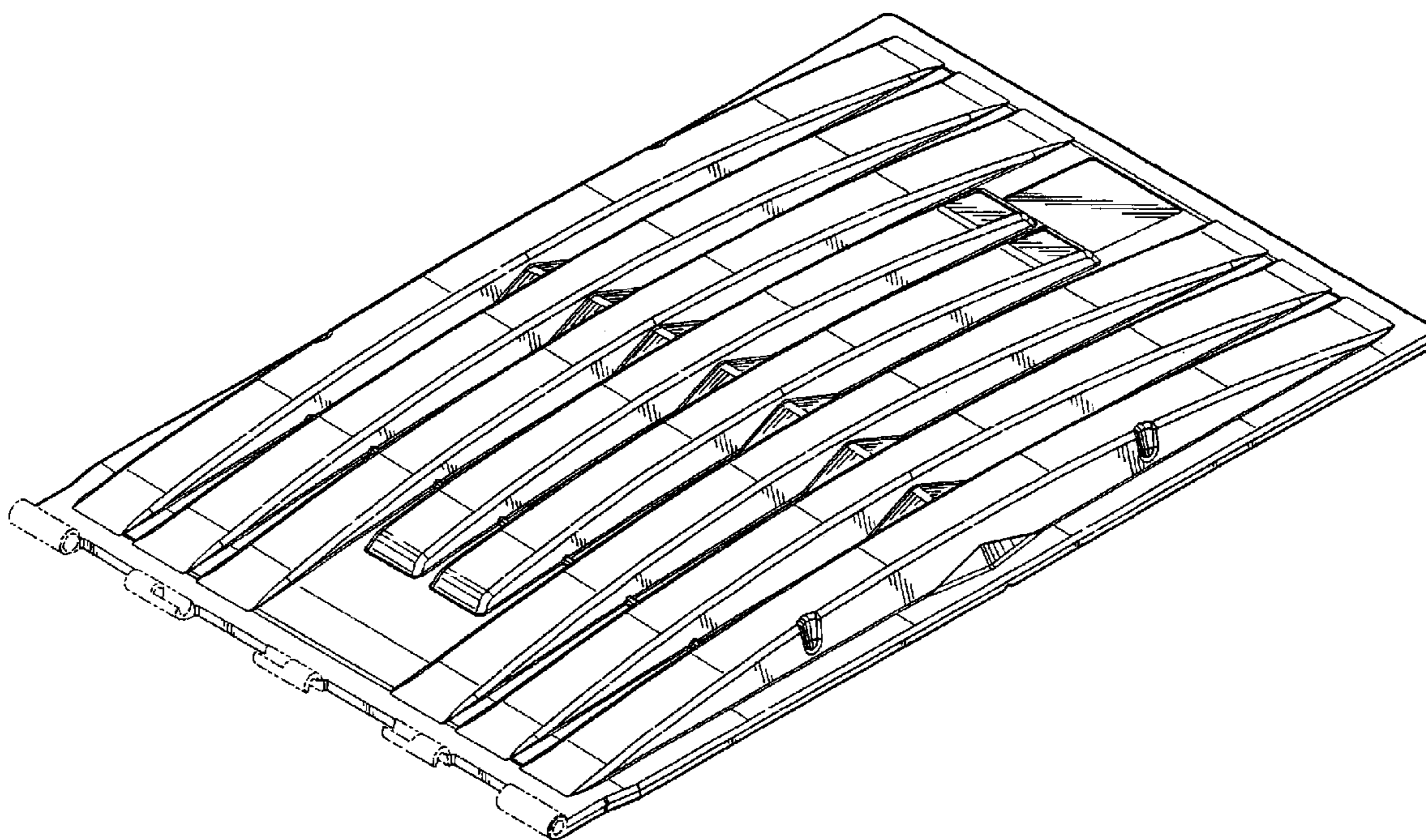
The ornamental design for a “molded container lid”, as shown and described.

DESCRIPTION

FIG. 1 is a perspective view of the molded container lid showing the top of the lid;
FIG. 2 is a top view of the molded container lid;
FIG. 3 is a front view of the molded container lid;
FIG. 4 is a side view of the molded container lid;
FIG. 5 is a rear view of the molded container lid;
FIG. 6 is a bottom view of the molded container lid; and,
FIG. 7 is a perspective view of the molded container lid showing the bottom of the lid.

Features shown in broken lines in the drawings are not part of the claim.

1 Claim, 5 Drawing Sheets



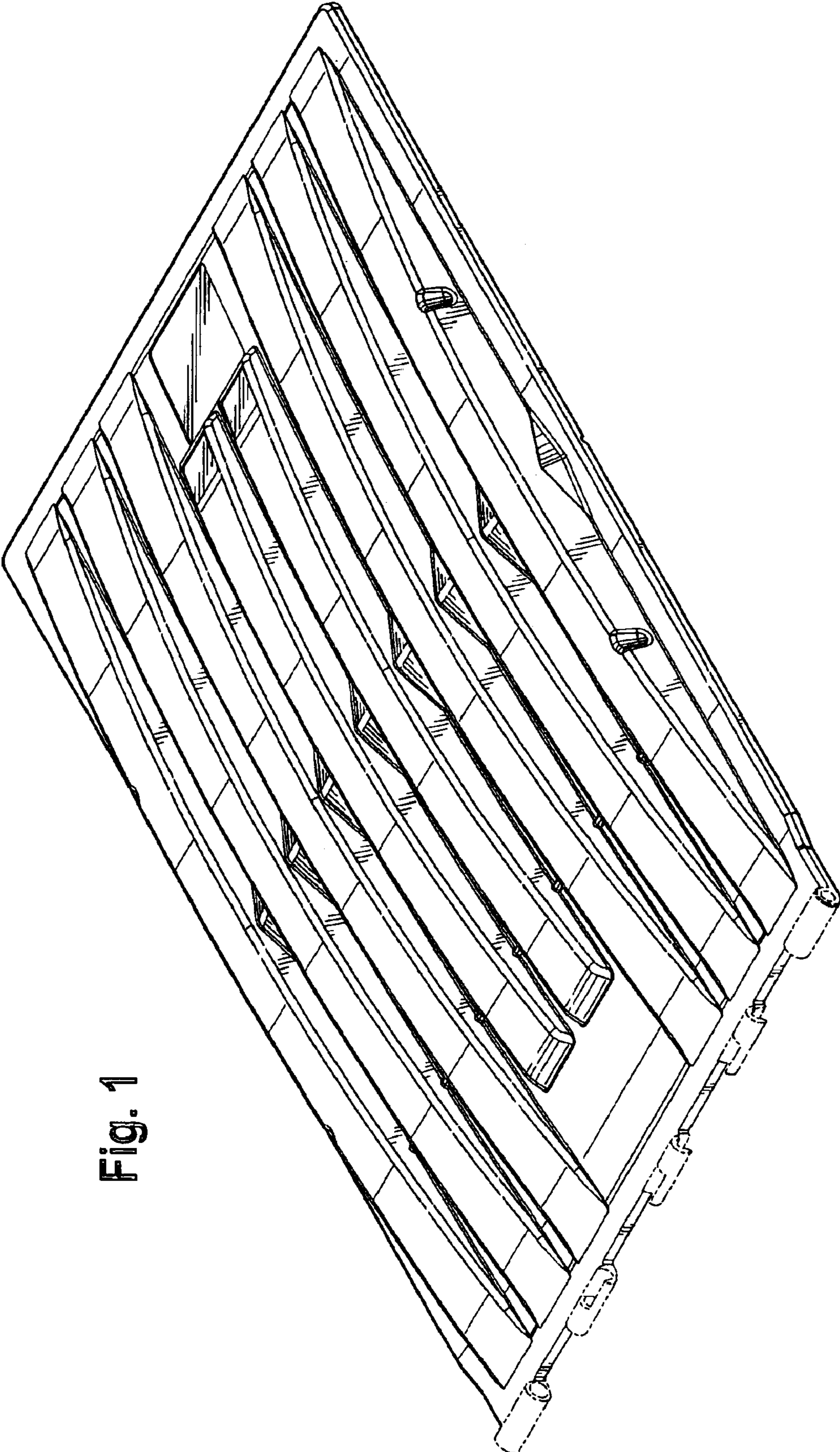


Fig. 1

Fig. 2

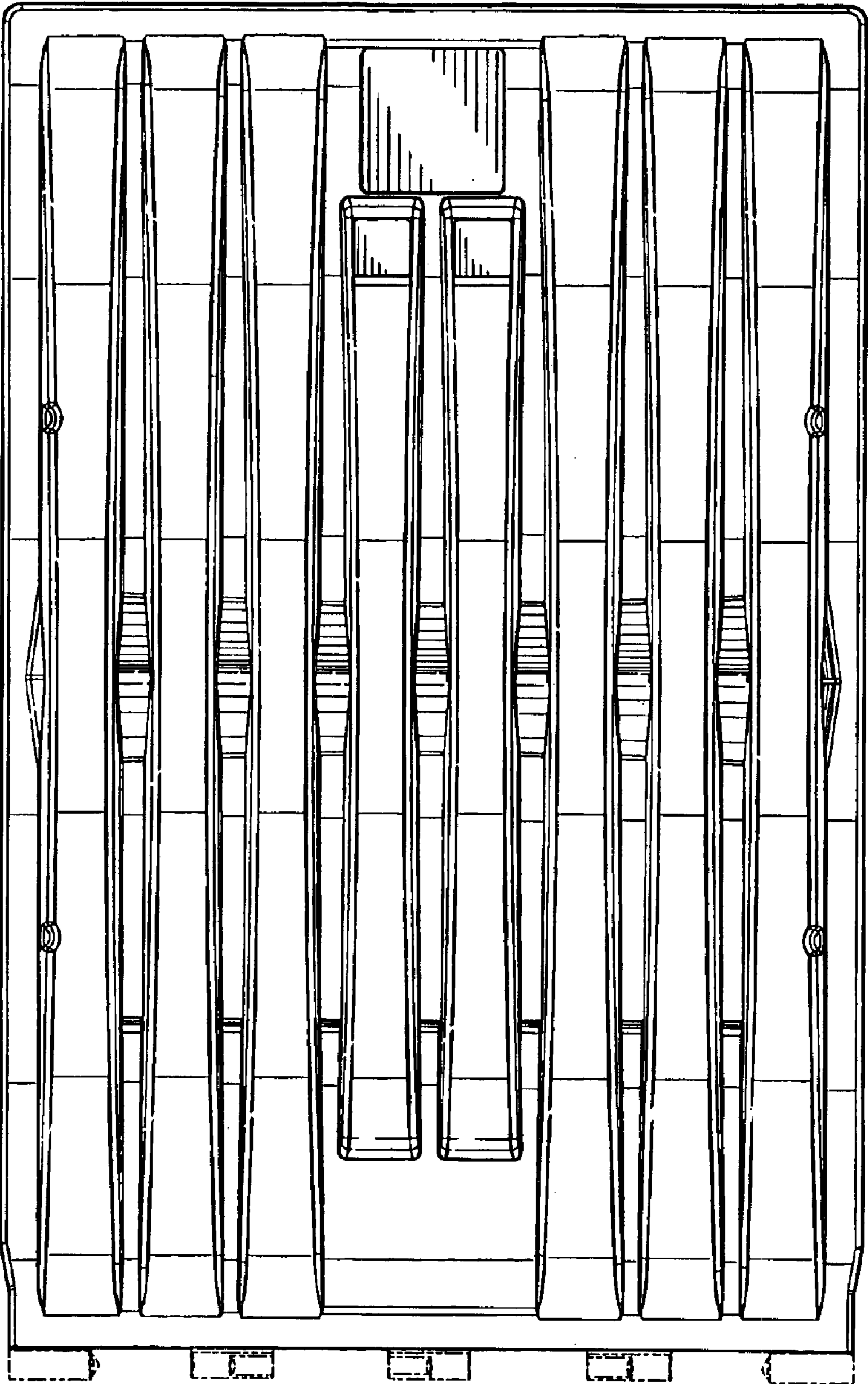


Fig. 3



Fig. 4



Fig. 5

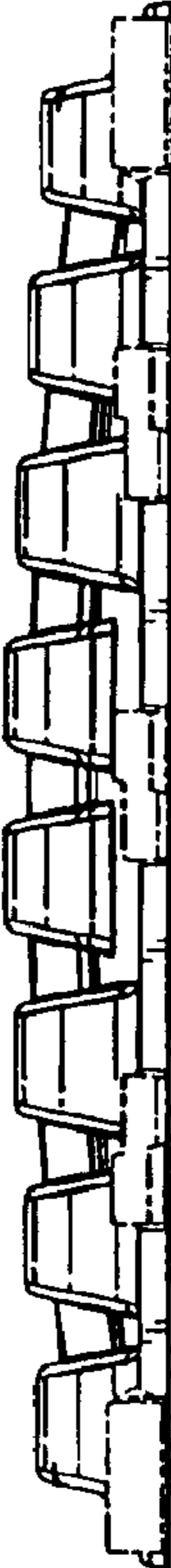
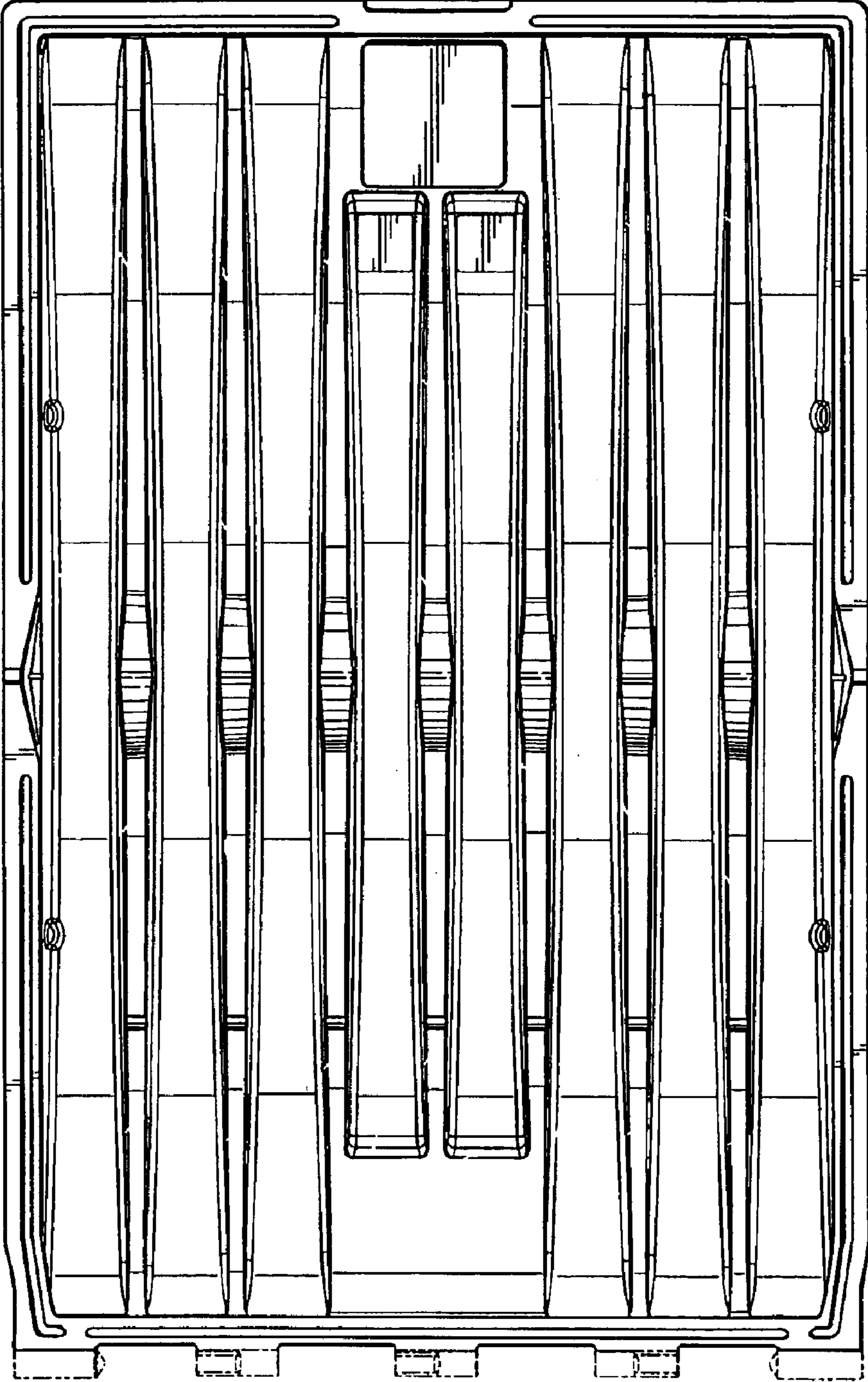


Fig. 6



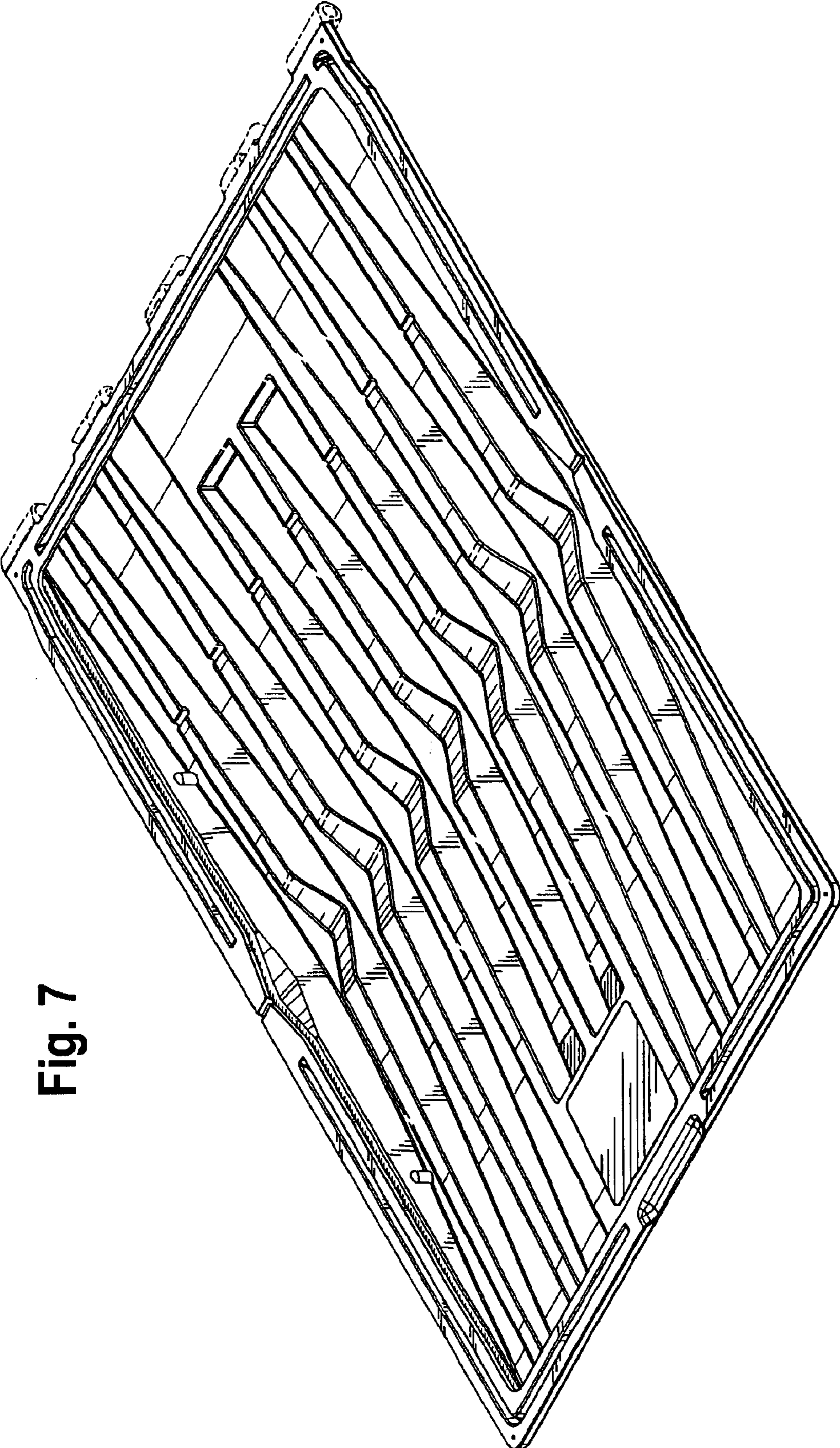


Fig. 7