

US00D513177S

(12) **United States Design Patent** (10) **Patent No.:** **US D513,177 S**
Tachikawa et al. (45) **Date of Patent:** **** Dec. 27, 2005**

(54) **PACKAGING BOX FOR PHOTO FILM**

(75) Inventors: **Kimiko Tachikawa**, Tokyo (JP);
Takako Shiraishi, Tokyo (JP)

(73) Assignee: **Fuji Photo Film Co., Ltd.**, Kanagawa (JP)

(**) Term: **14 Years**

(21) Appl. No.: **29/217,349**

(22) Filed: **Nov. 17, 2004**

(30) **Foreign Application Priority Data**

May 19, 2004 (JP) 2004-014781

(51) **LOC (6) Cl.** **09-03**

(52) **U.S. Cl.** **D9/432**

(58) **Field of Search** D9/430-433, 414,
D9/416, 721, 730; 206/578, 497, 457, 824;
229/108, 116.1, 117.3, 110, 111, 117, 190,
922, 939

(56) **References Cited**

U.S. PATENT DOCUMENTS

3,610,514 A * 10/1971 Samsing 229/108
D244,993 S * 7/1977 Drysdale D9/432
4,313,556 A * 2/1982 Boyle et al. 229/116.1
D285,178 S * 8/1986 Ewry D9/432

D323,618 S * 2/1992 Arai et al. D9/432
5,197,625 A * 3/1993 Mullaney 229/117.3
D394,385 S * 5/1998 Laughlin D9/431
D419,443 S 1/2000 Yonehara et al.
D460,355 S * 7/2002 Lenz et al. D9/431
D468,638 S * 1/2003 Nogami et al. D9/430

* cited by examiner

Primary Examiner—Stella Reid
Assistant Examiner—Mark A. Goodwin
(74) *Attorney, Agent, or Firm*—Young & Thompson

(57) **CLAIM**

The ornamental design for a packaging box for photo film, as shown.

DESCRIPTION

FIG. 1 is a top, front and side perspective view of a packaging box for photo film, showing our new design;
FIG. 2 is a front elevational view thereof;
FIG. 3 is a rear elevational view thereof;
FIG. 4 is a top plan view thereof;
FIG. 5 is a bottom plan view thereof;
FIG. 6 is a side elevational view thereof from the left of FIG. 2; and,
FIG. 7 is a side elevational view thereof from the right of FIG. 2.

1 Claim, 4 Drawing Sheets

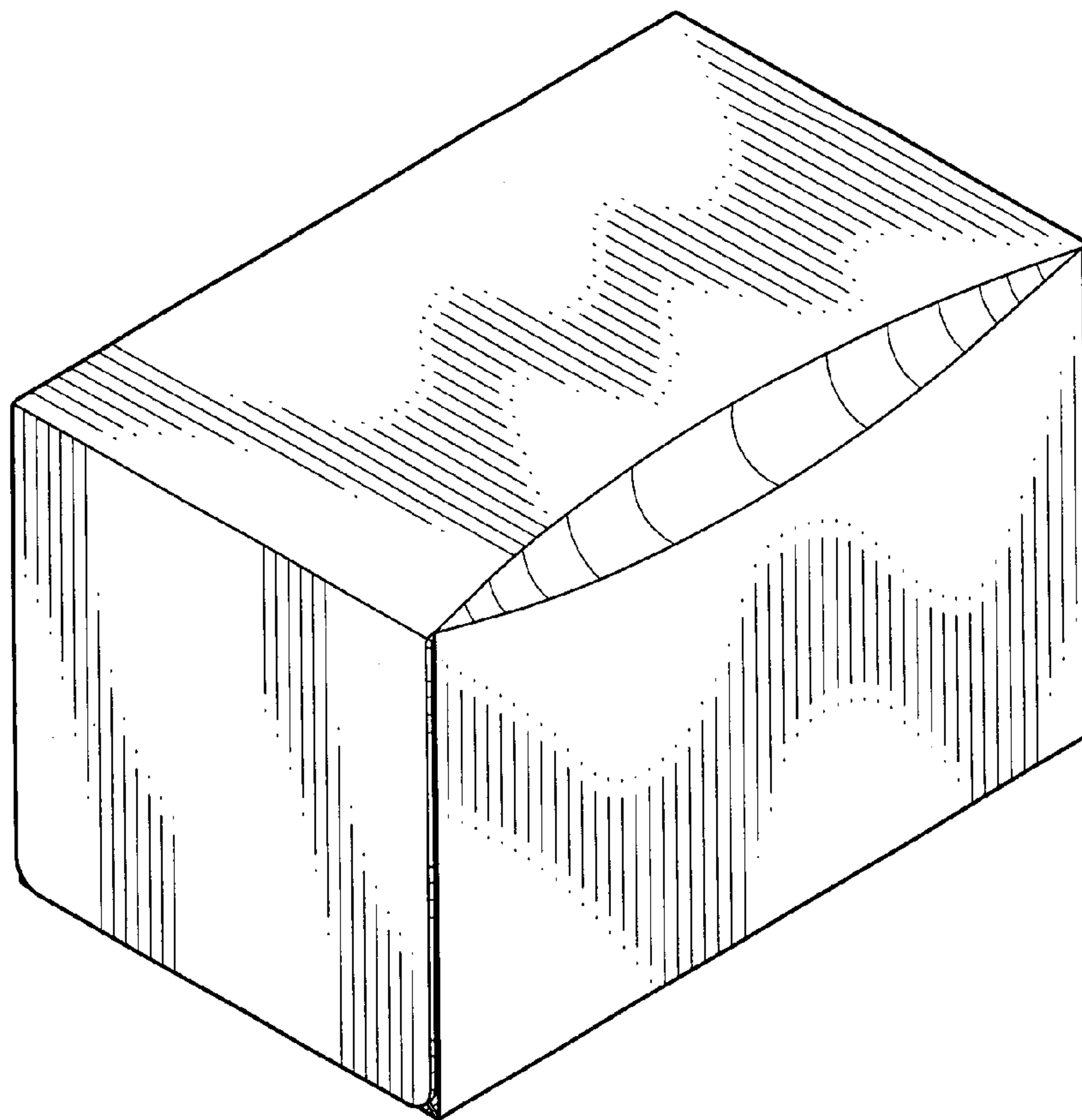


FIG. 1

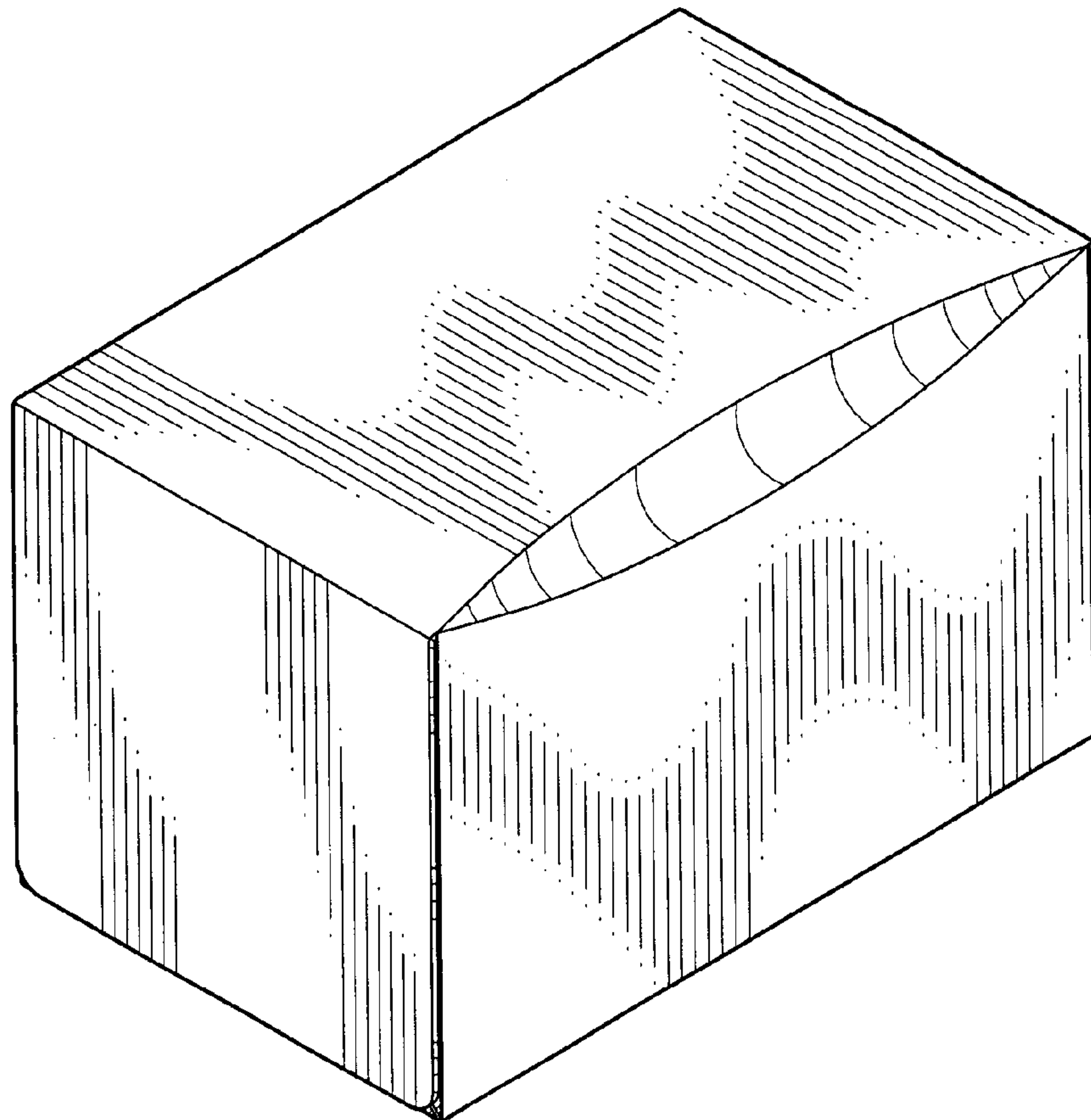


FIG. 2

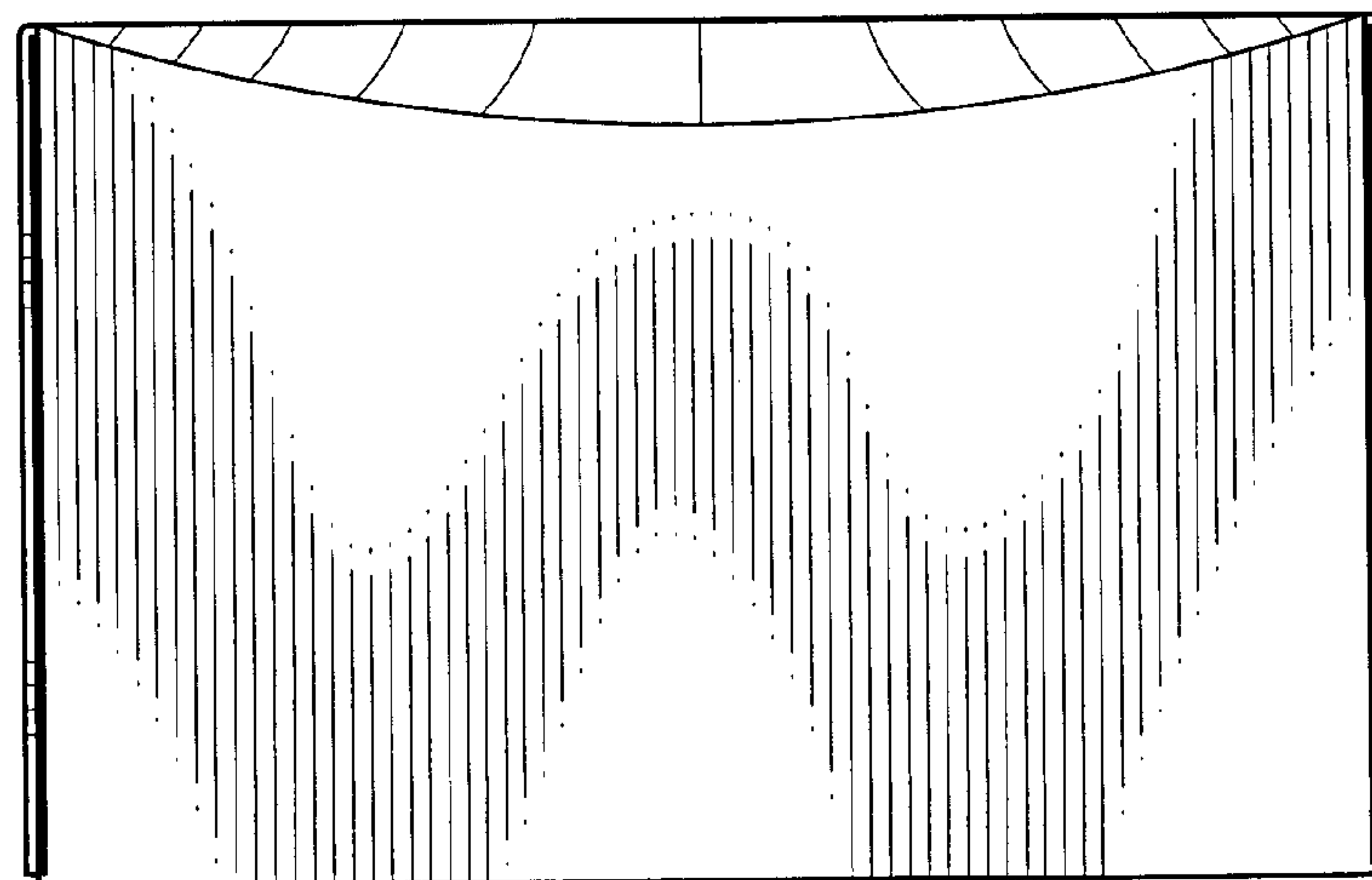


FIG.3

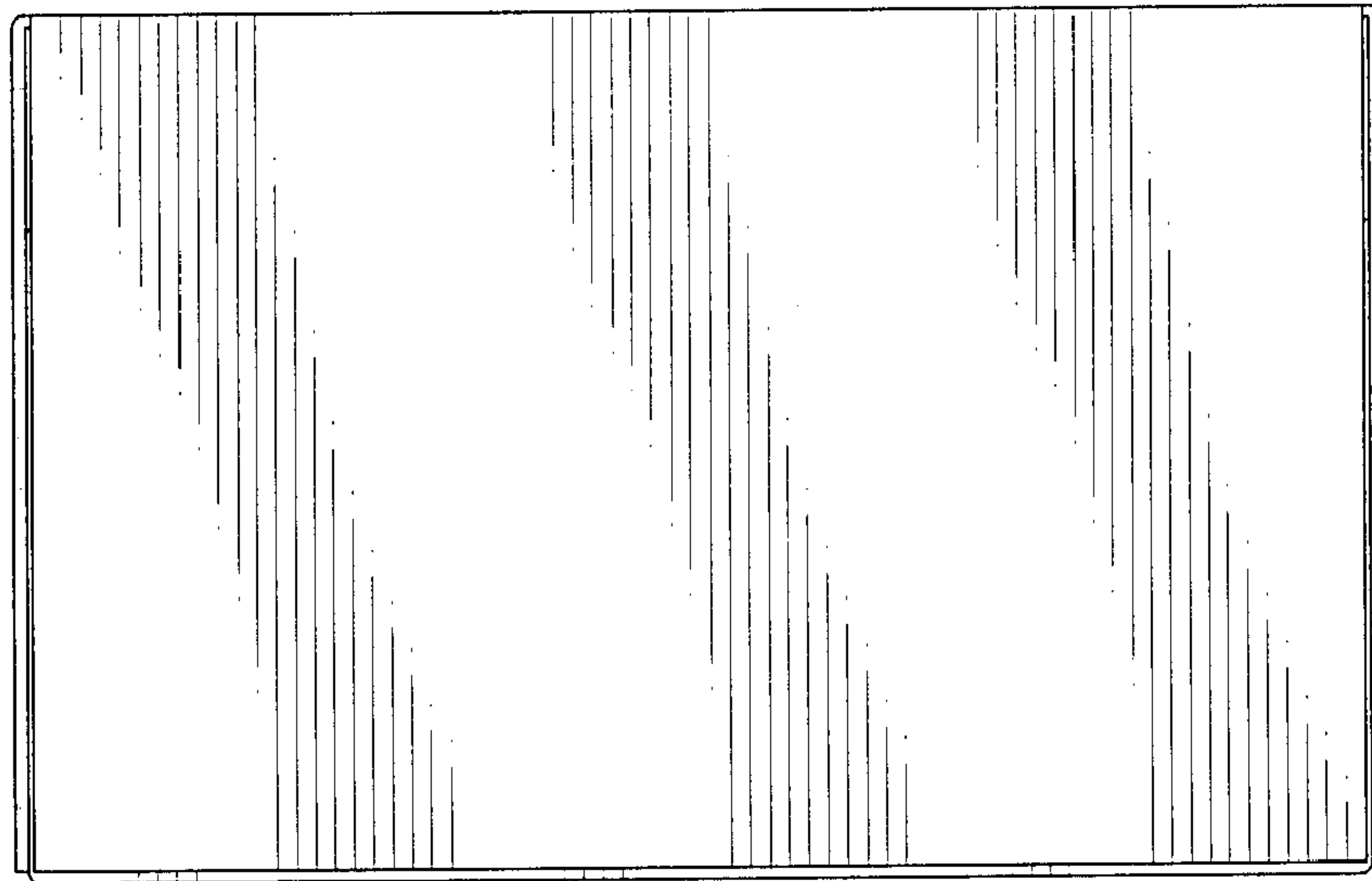


FIG.4

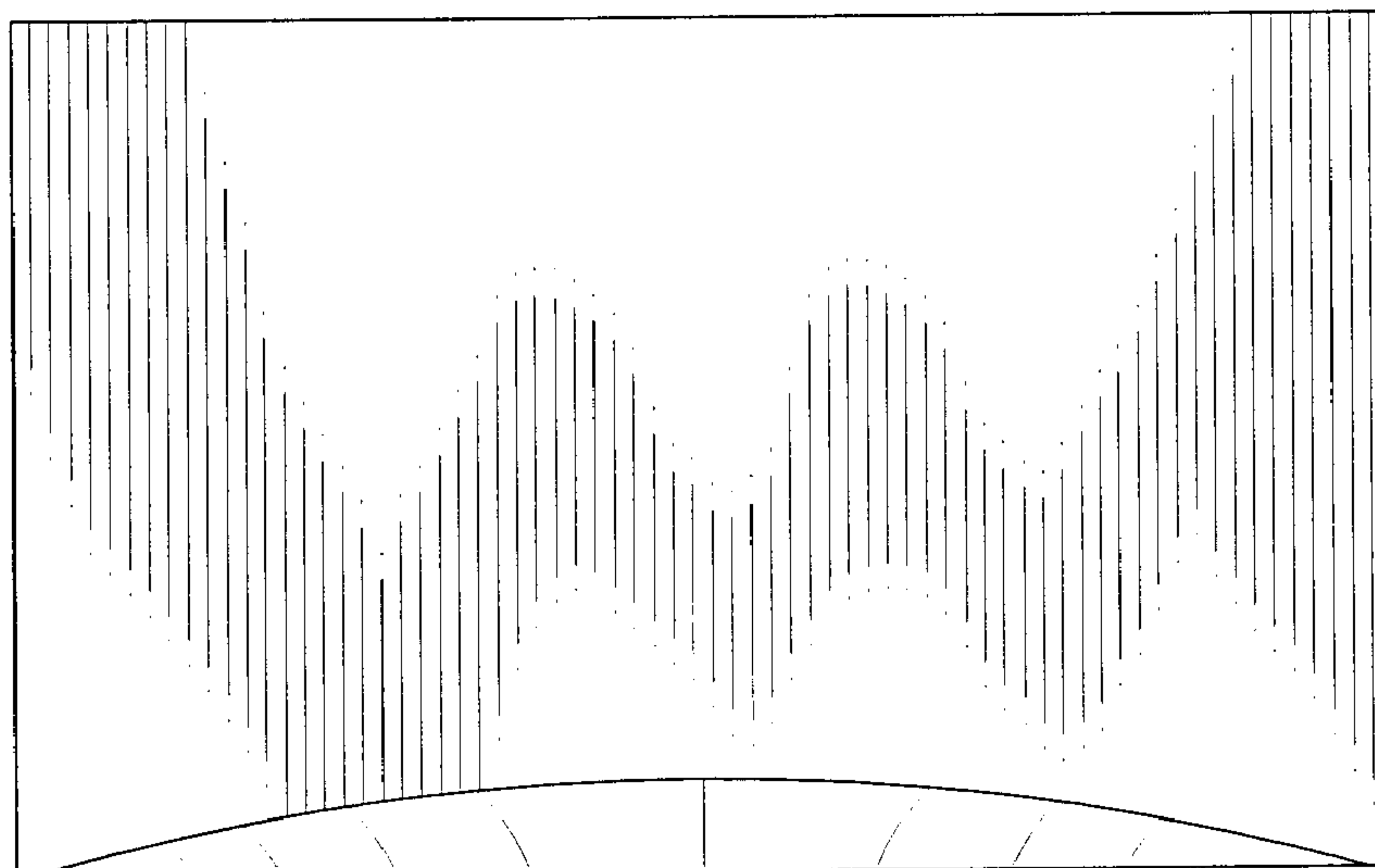


FIG.5

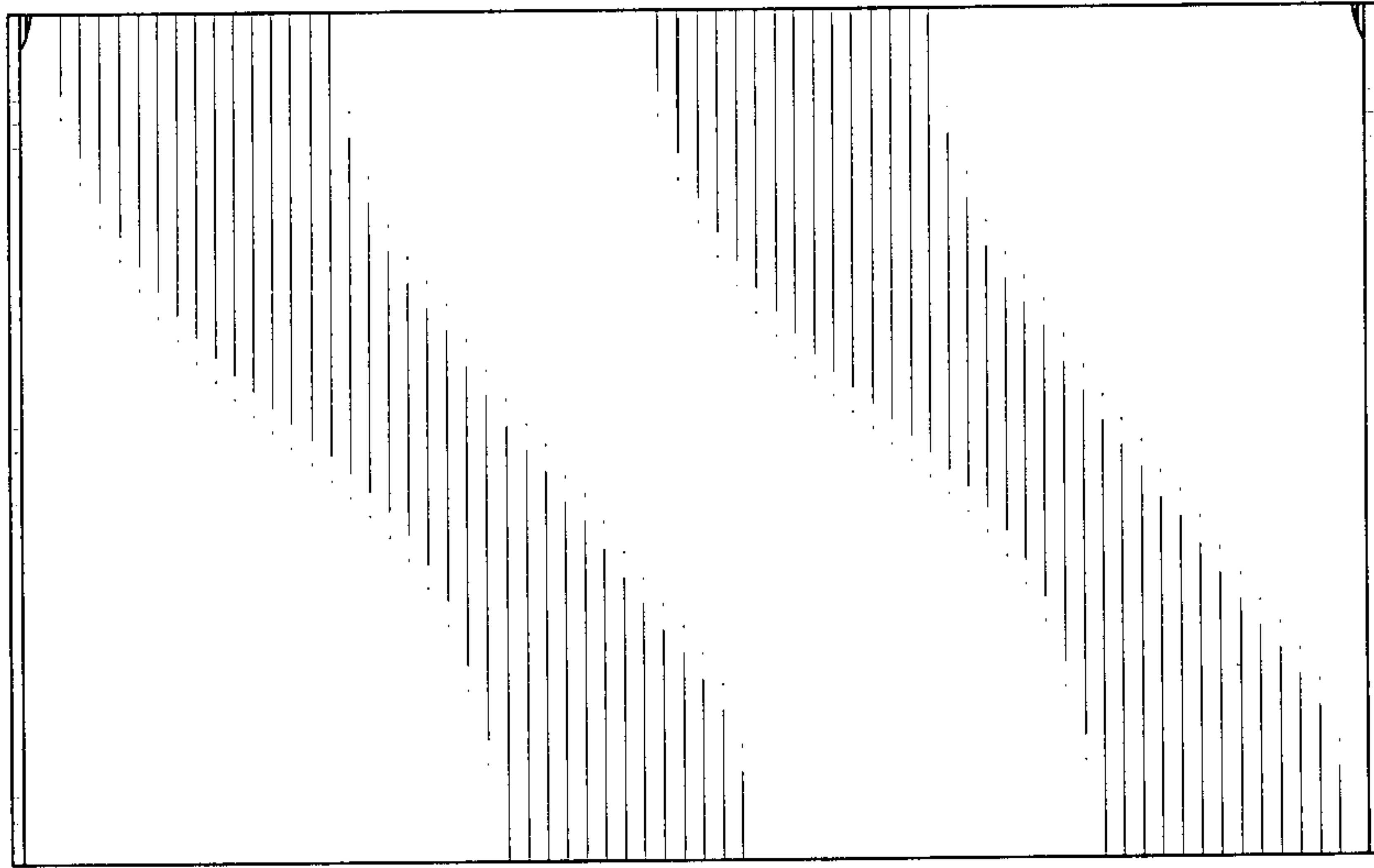


FIG.6

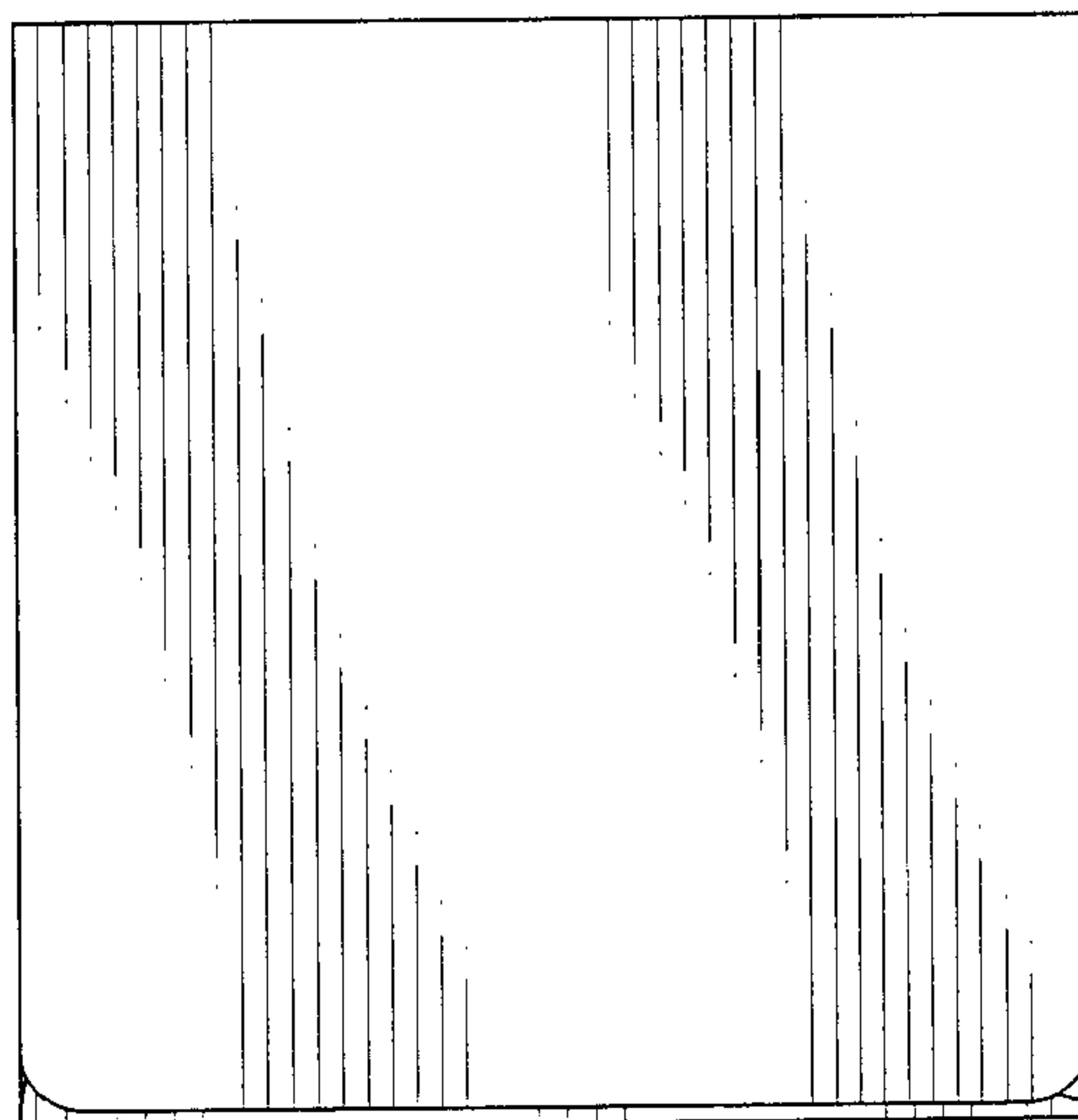


FIG. 7

