



US00D513173S

(12) **United States Design Patent** (10) **Patent No.:** **US D513,173 S**  
**Wolff** (45) **Date of Patent:** **\*\* Dec. 27, 2005**

(54) **DUAL CLIP**

(76) Inventor: **Stephen H. Wolff**, 271 North Ave.,  
New Rochelle, NY (US) 10801

(\*\*) Term: **14 Years**

(21) Appl. No.: **29/200,608**

(22) Filed: **Mar. 2, 2004**

(51) **LOC (6) Cl.** ..... **08-08**

(52) **U.S. Cl.** ..... **D8/395**

(58) **Field of Search** ..... D8/356, 371, 394-396,  
D8/499, 53, 100, 365; D12/51; D19/65,  
90; D28/39, 40, 42; 24/546, 563, 327, 334,  
DIG. 8, DIG. 9, DIG. 13, DIG. 28; 248/74.2,  
300, 301, 316.7, 229.26

(56) **References Cited**

**U.S. PATENT DOCUMENTS**

D202,079 S	*	8/1965	Polk	.....	D19/65
D364,188 S	*	11/1995	Wolff	.....	D19/65
D406,169 S	*	2/1999	Wolff	.....	D19/65
D412,343 S	*	7/1999	Offenhauer	.....	D19/65
D477,774 S	*	7/2003	Jones et al.	.....	D8/395
D500,083 S	*	12/2004	Chen et al.	.....	D19/65

**OTHER PUBLICATIONS**

See enclosed illustrations of a clip. (These clips were on sale or published more than one year before the filing of this application).

\* cited by examiner

*Primary Examiner*—Louis S. Zarfes

*Assistant Examiner*—John Windmuller

(74) *Attorney, Agent, or Firm*—Lerner, David Littenberg,  
Krumholz & Mentlik, LLP

(57) **CLAIM**

The ornamental design for a dual clip, as shown and described.

**DESCRIPTION**

FIG. 1 is a front perspective view of a dual clip showing my new design;

FIG. 2 is a front perspective view thereof in an open position;

FIG. 3 is a front elevational view thereof;

FIG. 4 is a right side view thereof, the left side view being a mirror image thereof;

FIG. 5 is a top plan view thereof; and,

FIG. 6 is a bottom plan view thereof.

The broken line showing of the inner hinge structure is for illustrative purposes only and forms no part of the claimed design.

**1 Claim, 2 Drawing Sheets**

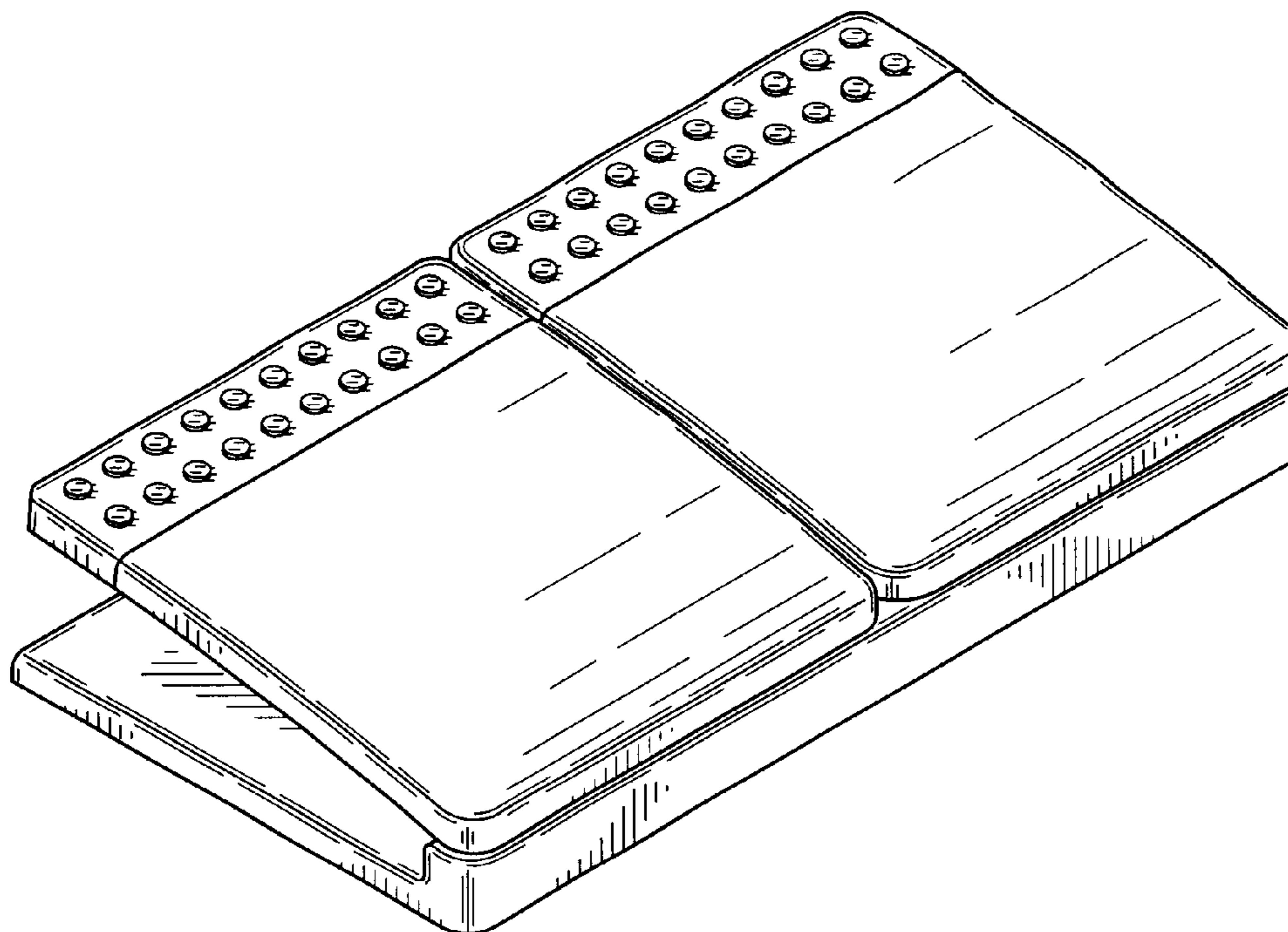


FIG. 1

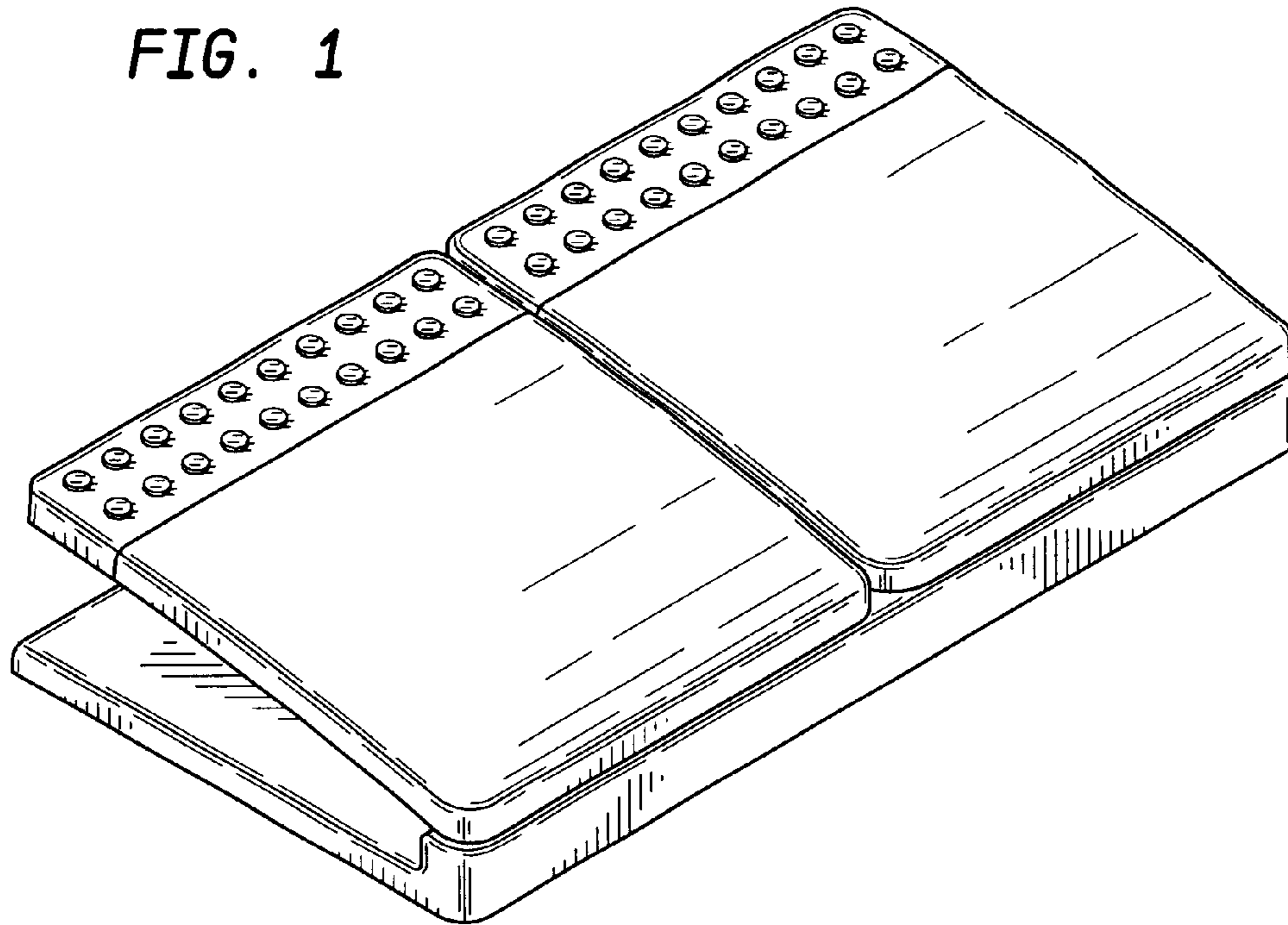


FIG. 2

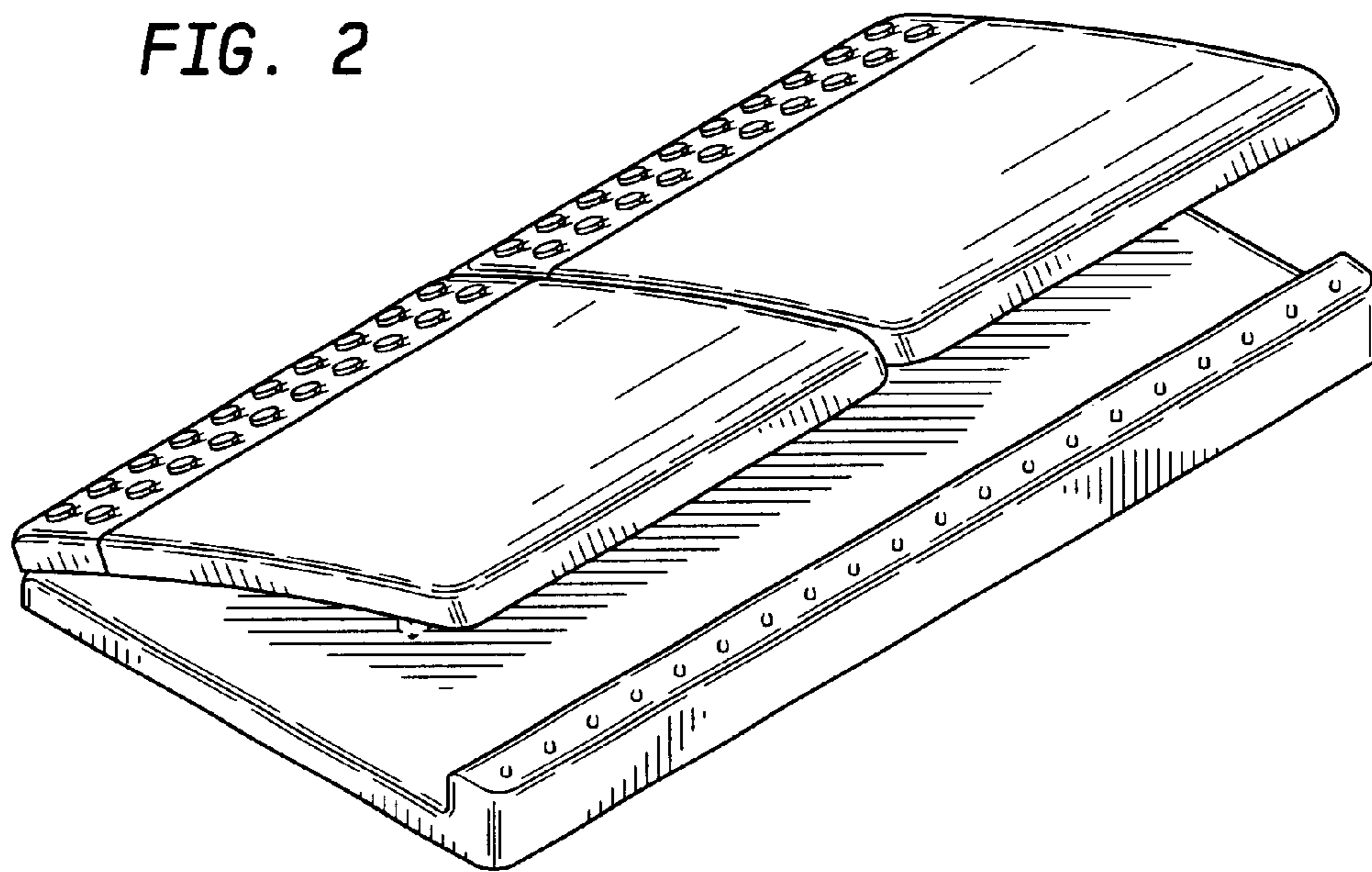


FIG. 3

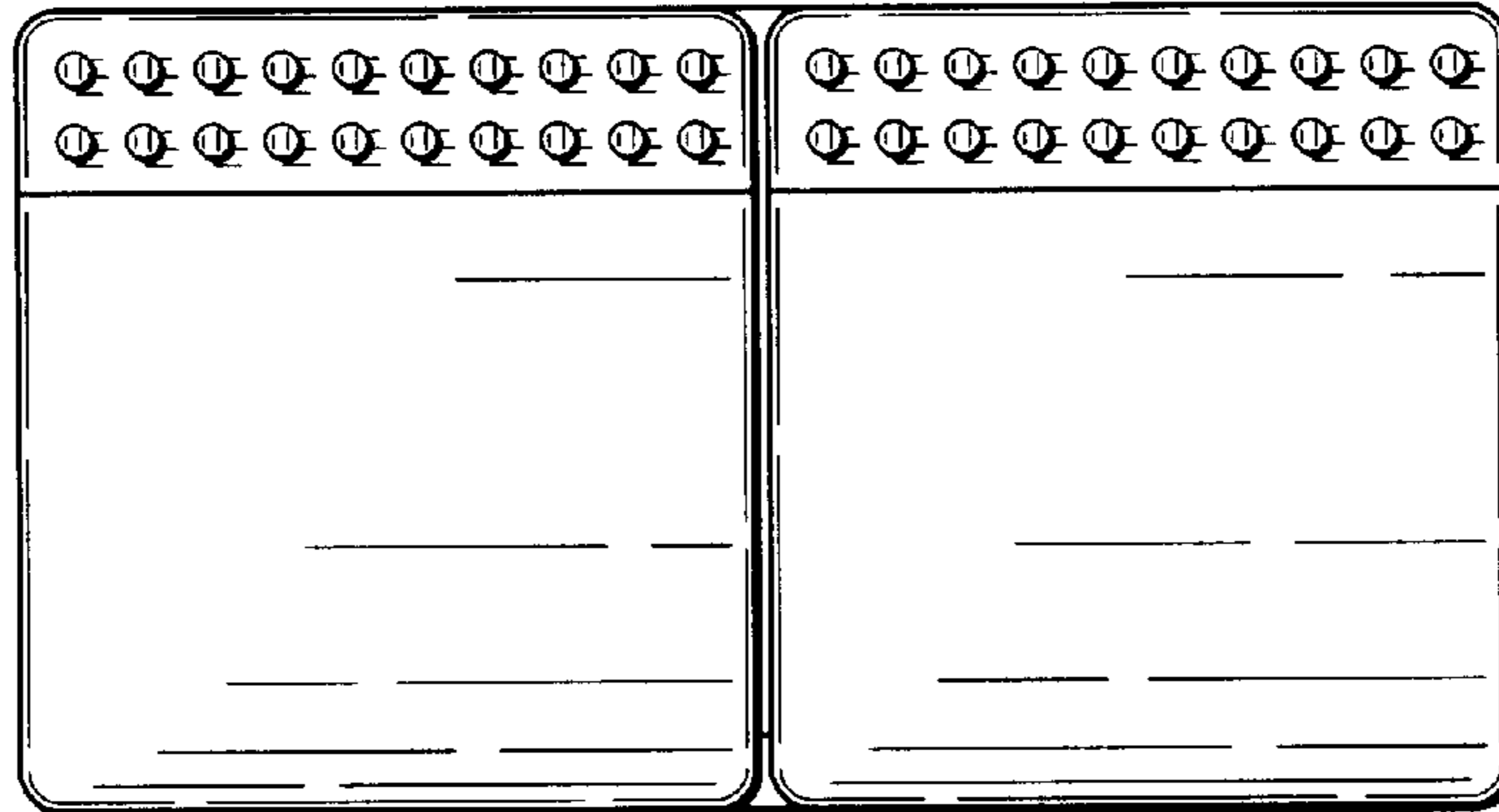


FIG. 4

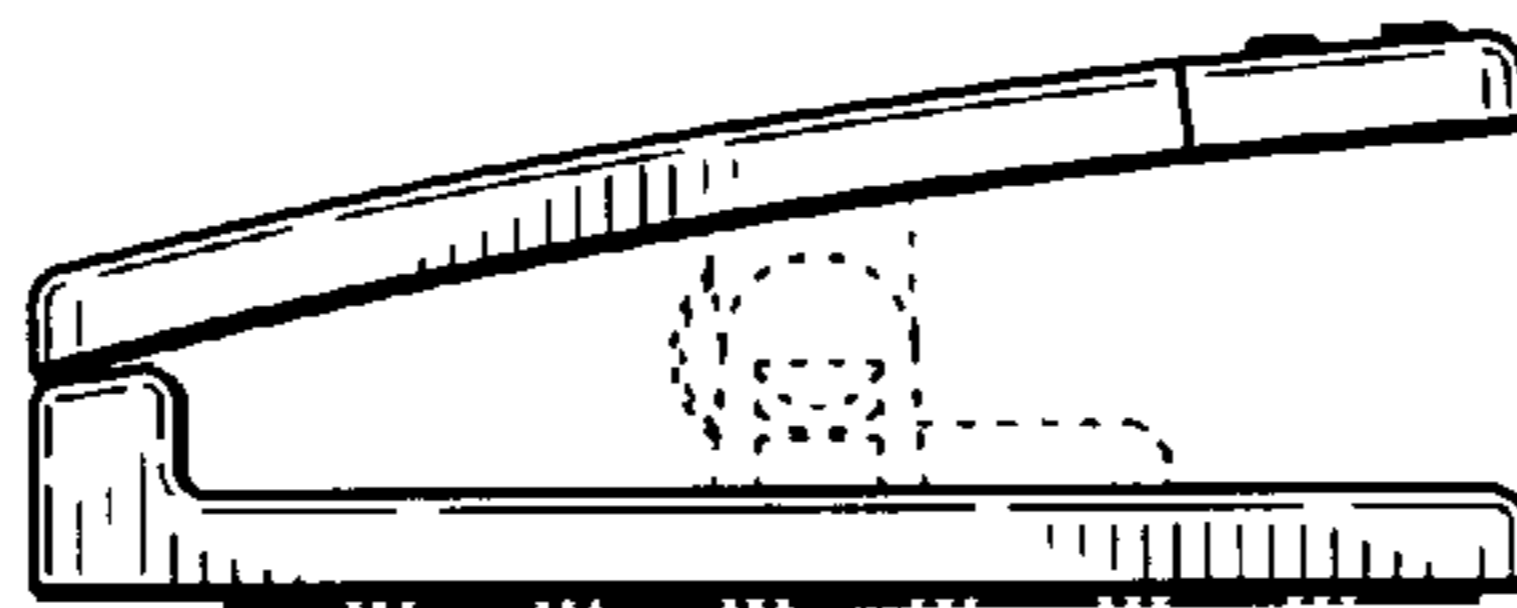


FIG. 5

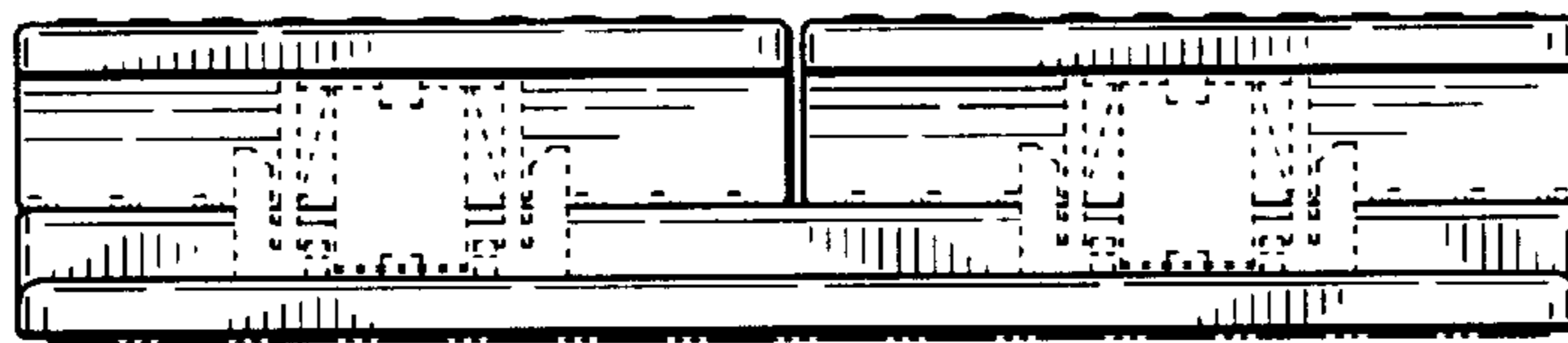


FIG. 6

