

US00D513172S

(12) **United States Design Patent**
Rutsky

(10) **Patent No.:** **US D513,172 S**
(45) **Date of Patent:** **** Dec. 27, 2005**

(54) **RESORT TOWEL PIN**

5,611,123 A 3/1997 Prizzi

(76) Inventor: **Myron J. Rutsky**, 126 Cambridge Dr.,
Hicksville, NY (US) 11801

* cited by examiner

(**) Term: **14 Years**

Primary Examiner—Louis S. Zarfaz
Assistant Examiner—John Windmuller
(74) *Attorney, Agent, or Firm*—Donald R. Schoonover

(21) Appl. No.: **29/196,296**

(57) **CLAIM**

(22) Filed: **Dec. 29, 2003**

I claim the ornamental design for a resort towel pin, as shown and described.

(51) **LOC (6) Cl.** **08-08**

(52) **U.S. Cl.** **D8/395**

(58) **Field of Search** D8/71-74, 394-396;
248/74.1; 292/256-258

DESCRIPTION

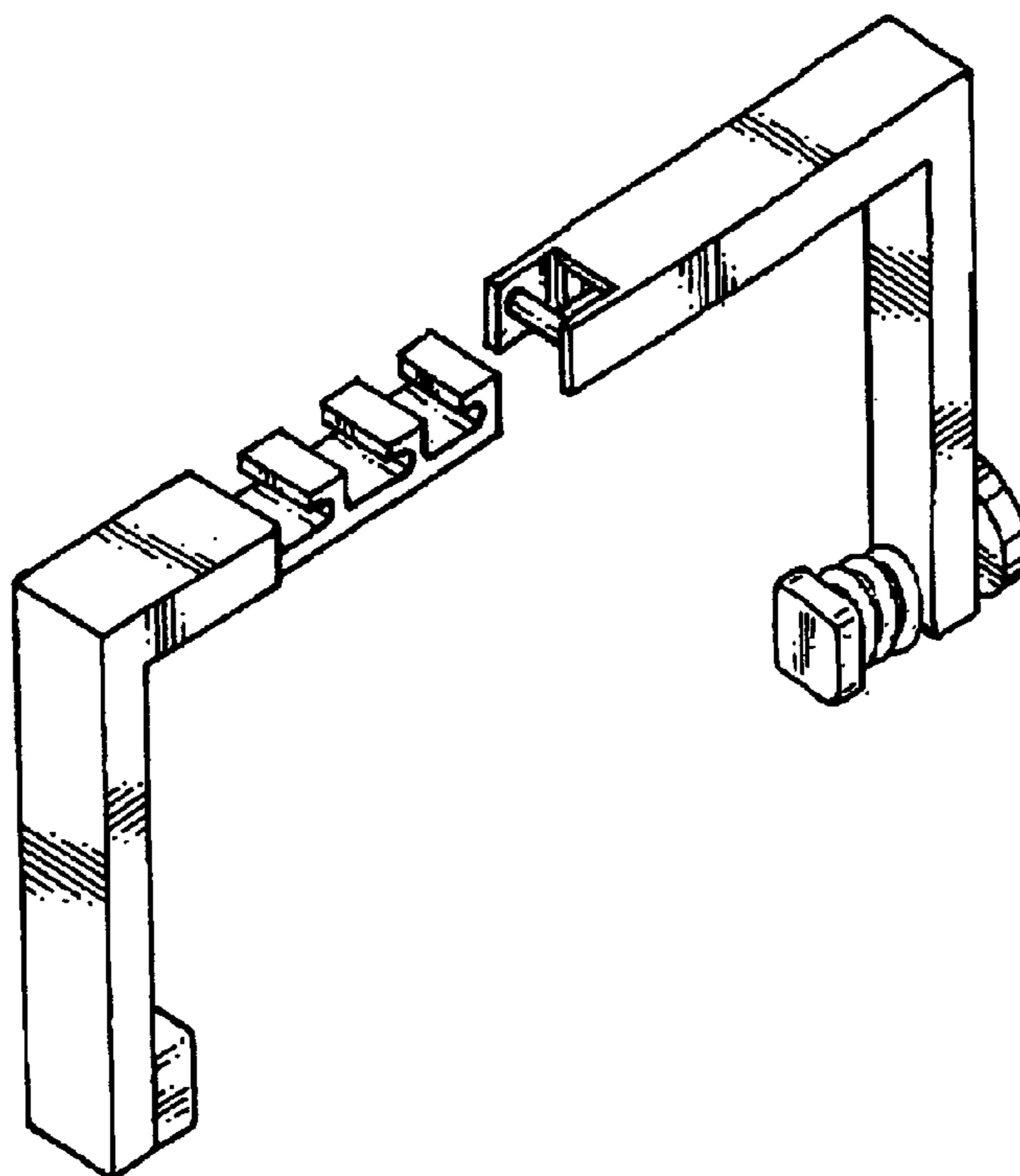
(56) **References Cited**

U.S. PATENT DOCUMENTS

3,606,228 A	9/1971	Lasko	
3,656,630 A	4/1972	Miguel	
D252,255 S *	7/1979	Uyeda	D8/394
4,934,540 A	6/1990	Novak	
5,052,599 A	10/1991	Platti	
D331,529 S *	12/1992	Reinklou	D8/73
D344,226 S *	2/1994	Glynn	D8/73
5,353,479 A	10/1994	Lucier	
D354,211 S *	1/1995	Deaust	D8/72
D363,016 S	10/1995	Sipprelle, III et al.	

FIG. 1 is a perspective view of a resort towel pin showing my new design with its halves separated;
FIG. 2 is a right side elevational view of the resort towel pin of FIG. 1 with its halves joined;
FIG. 3 is a left side elevational view thereof;
FIG. 4 is a rear elevational view thereof;
FIG. 5 is a front elevational view thereof;
FIG. 6 is a top plan view thereof;
FIG. 7 is a bottom plan view thereof; and,
FIG. 8 is a reduced perspective view showing the resort towel pin in use; the broken lines depict environmental structure for illustrative purposes only and form no part of the claimed design.

1 Claim, 5 Drawing Sheets



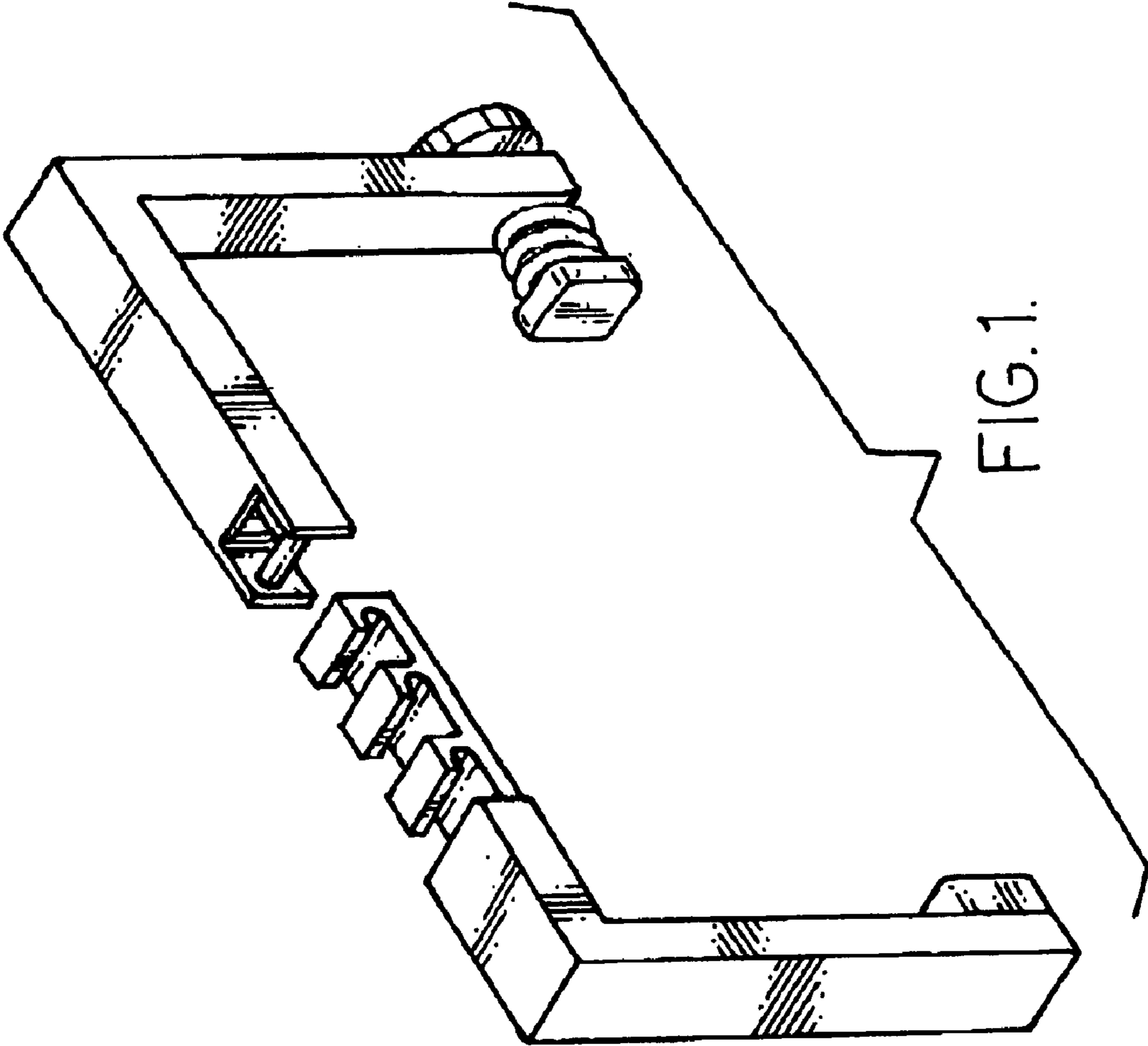


FIG.1.

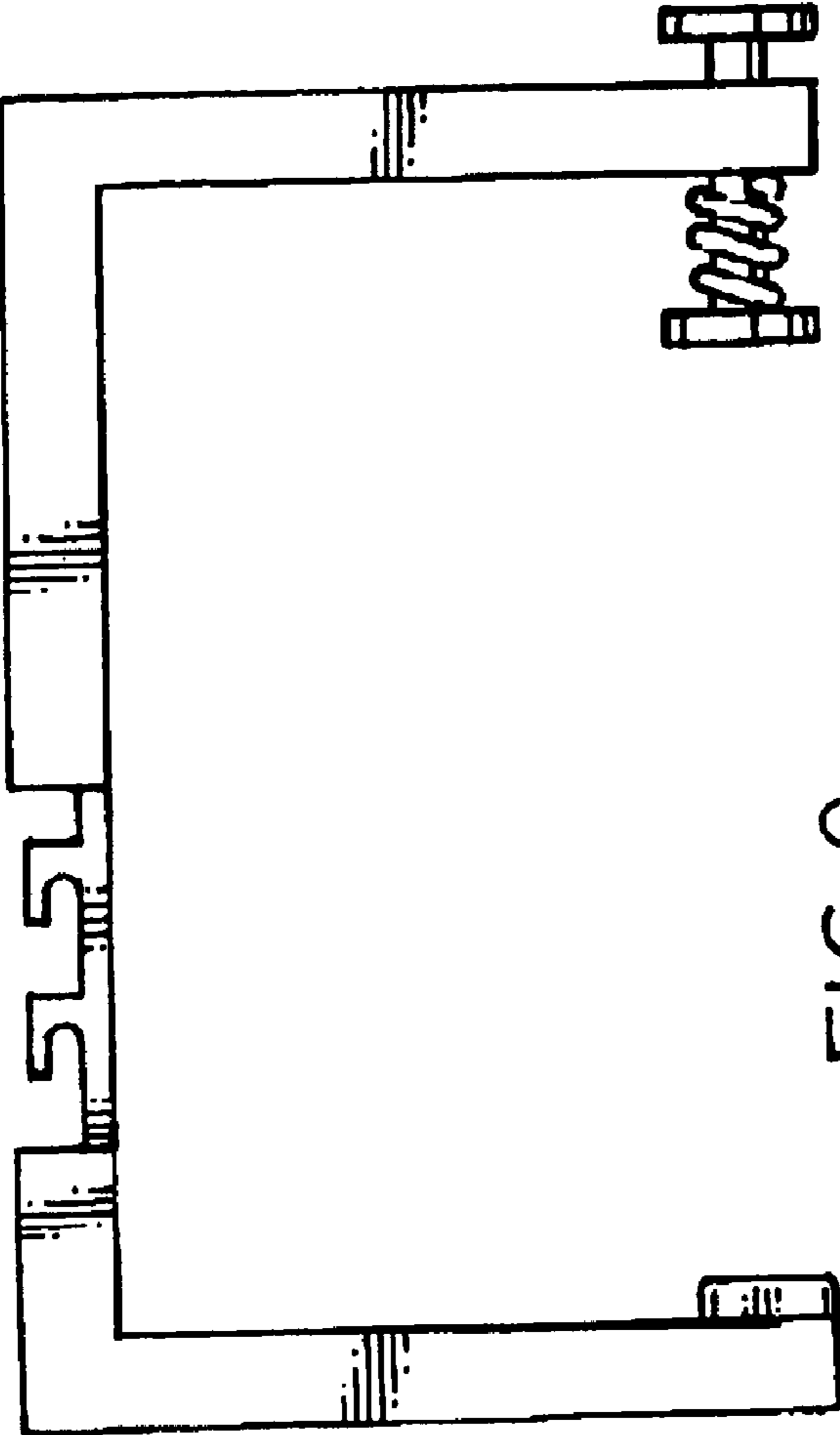


FIG. 2.

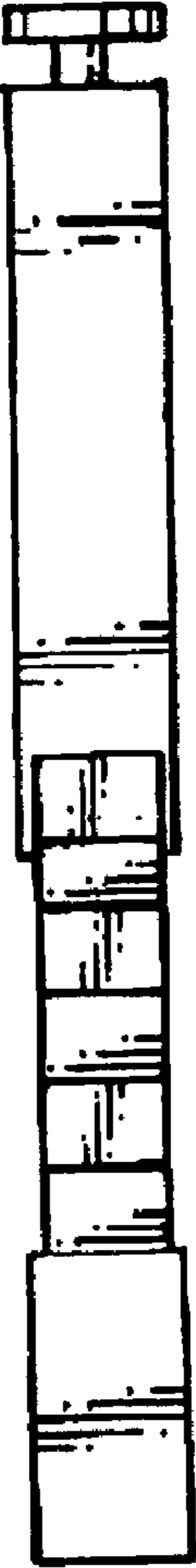


FIG. 6.

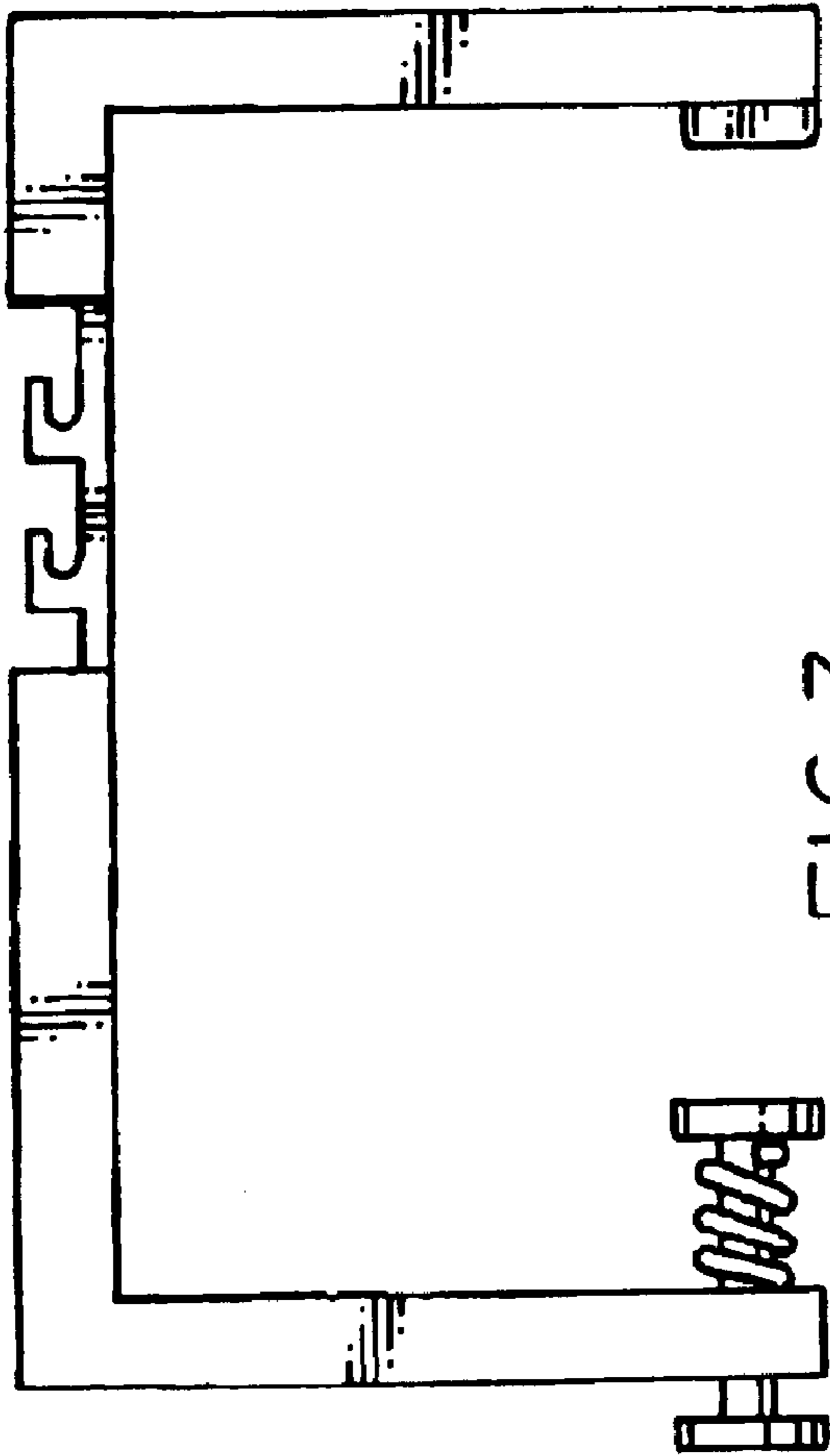


FIG. 3.



FIG. 7.



FIG. 5.

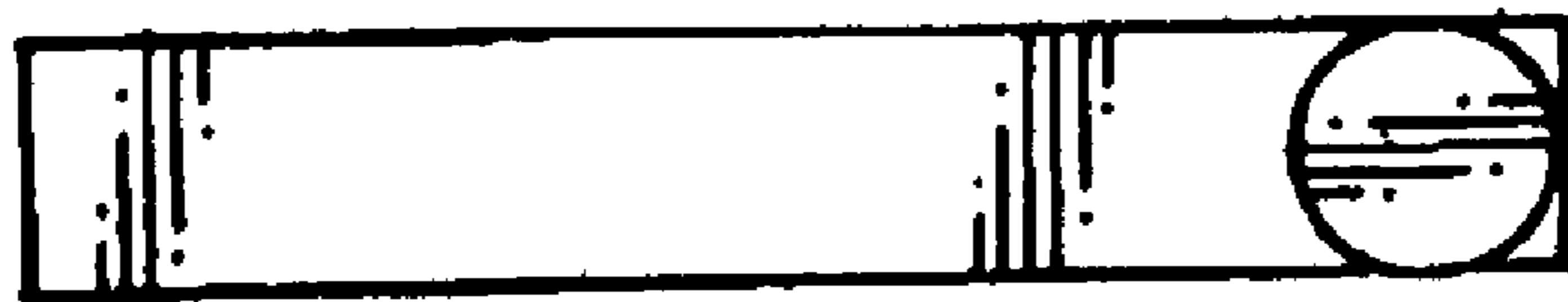


FIG. 4.

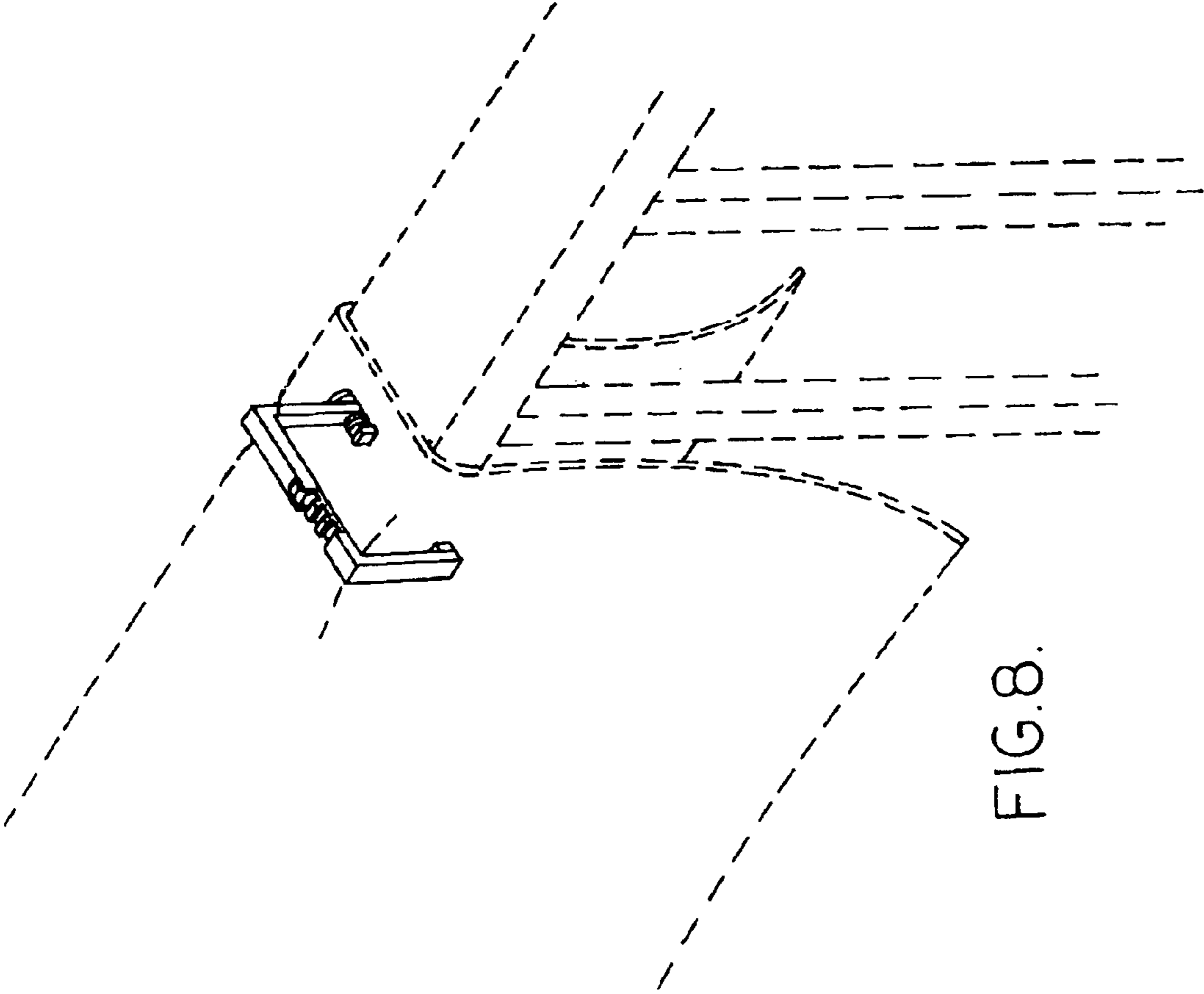


FIG.8.