

US00D513171S

(12) **United States Design Patent** (10) **Patent No.:** **US D513,171 S**
Richardson (45) **Date of Patent:** **** Dec. 27, 2005**

(54) **BEAM CLAMP**

(75) Inventor: **Michael P. Richardson**, Frederick, MD (US)

(73) Assignee: **Reeves Emergency Management Systems LLC**, Orangeburg, NY (US)

(**) Term: **14 Years**

(21) Appl. No.: **29/191,145**

(22) Filed: **Oct. 3, 2003**

(51) **LOC (6) Cl.** **08-08**

(52) **U.S. Cl.** **D8/394; D8/395; D8/354; D25/133**

(58) **Field of Search** **D8/354, 394-396; D25/133; 52/713, 715, 295, 296; 248/218.4, 219.1, 228.1, 228.7; 24/455**

(56) **References Cited**

U.S. PATENT DOCUMENTS

862,372 A	8/1907	Alexander	
1,794,381 A	3/1931	Hosbein	
1,848,085 A	* 3/1932	Eisenschmidt	403/187
2,438,085 A	3/1948	Wooding et al.	
3,298,646 A	1/1967	Van Buren, Jr.	
3,301,513 A	1/1967	Sugaya	
3,807,675 A	4/1974	Seckerson et al.	
4,065,090 A	12/1977	Mauney	
4,094,483 A	6/1978	Busch	
4,135,692 A	1/1979	Ferguson	
D257,325 S	* 10/1980	Jones	D8/400

4,238,098 A	12/1980	Siegfried et al.	
D260,481 S	* 9/1981	Norcross et al.	D8/394
4,318,525 A	3/1982	Welch	
4,444,524 A	* 4/1984	Cook et al.	403/387
D295,496 S	* 5/1988	Burke et al.	D8/394
5,335,890 A	8/1994	Pryor et al.	
D364,794 S	* 12/1995	Eberschlag	D8/354
5,533,696 A	7/1996	Laughlin et al.	
5,535,973 A	7/1996	Bailey et al.	
D379,299 S	* 5/1997	Fitzgibbons	D8/402
5,822,941 A	* 10/1998	Kinsella	52/506.05
6,877,996 B1	* 4/2005	Franks, Jr.	439/92
2002/0060280 A1	5/2002	Yaphe et al.	

* cited by examiner

Primary Examiner—Louis S. Zarfaz

Assistant Examiner—John Windmuller

(74) *Attorney, Agent, or Firm*—Rosenberg, Klein & Lee

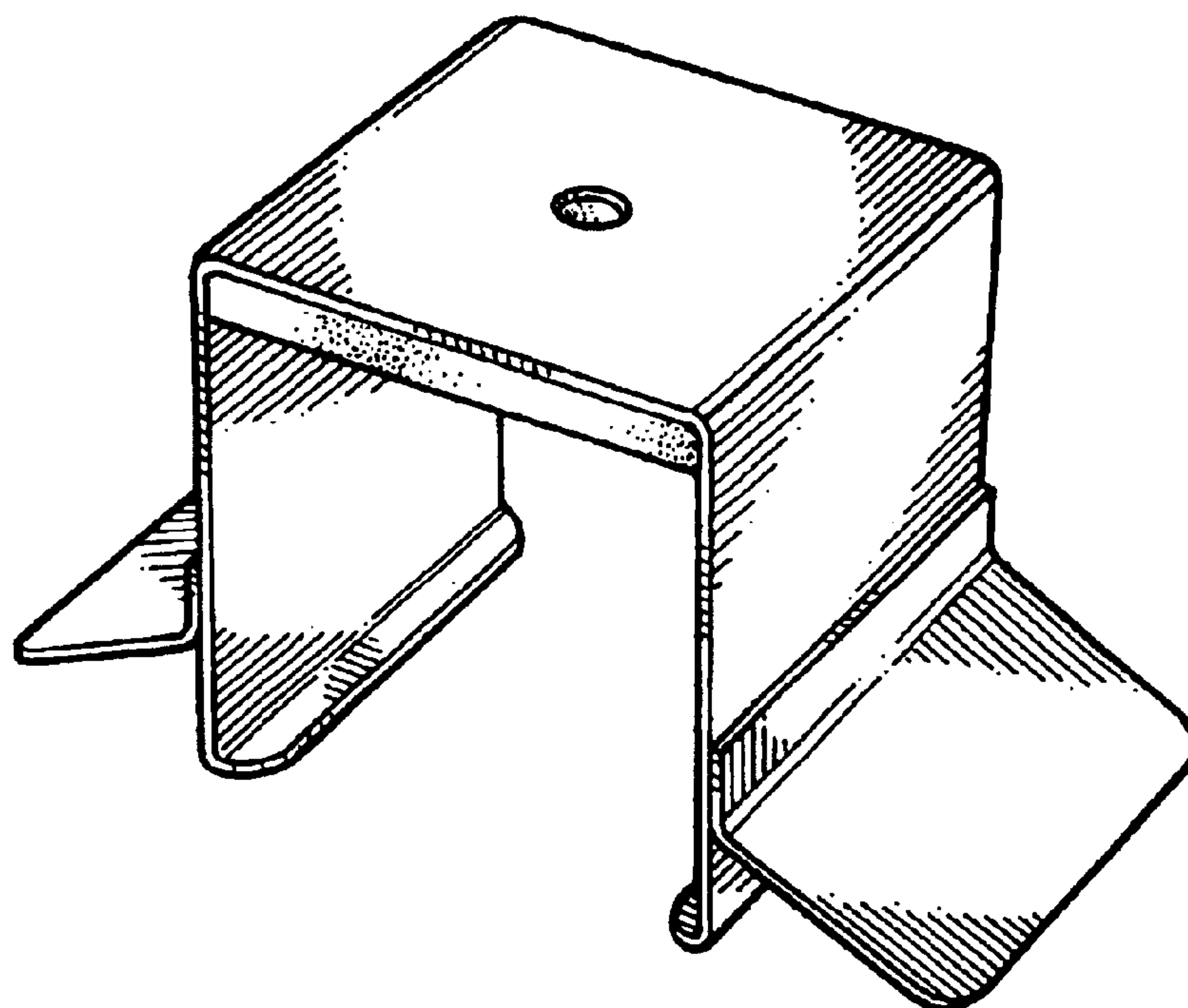
(57) **CLAIM**

The ornamental design for a beam clamp, as shown and described.

DESCRIPTION

FIG. 1 is a perspective view of a beam clamp showing my new design;
FIG. 2 is a front elevational view thereof, the rear elevational view being identical;
FIG. 3 is a top plan view thereof;
FIG. 4 is a bottom plan view thereof; and,
FIG. 5 is a right side elevational view thereof, the left side elevational view being identical.

1 Claim, 3 Drawing Sheets



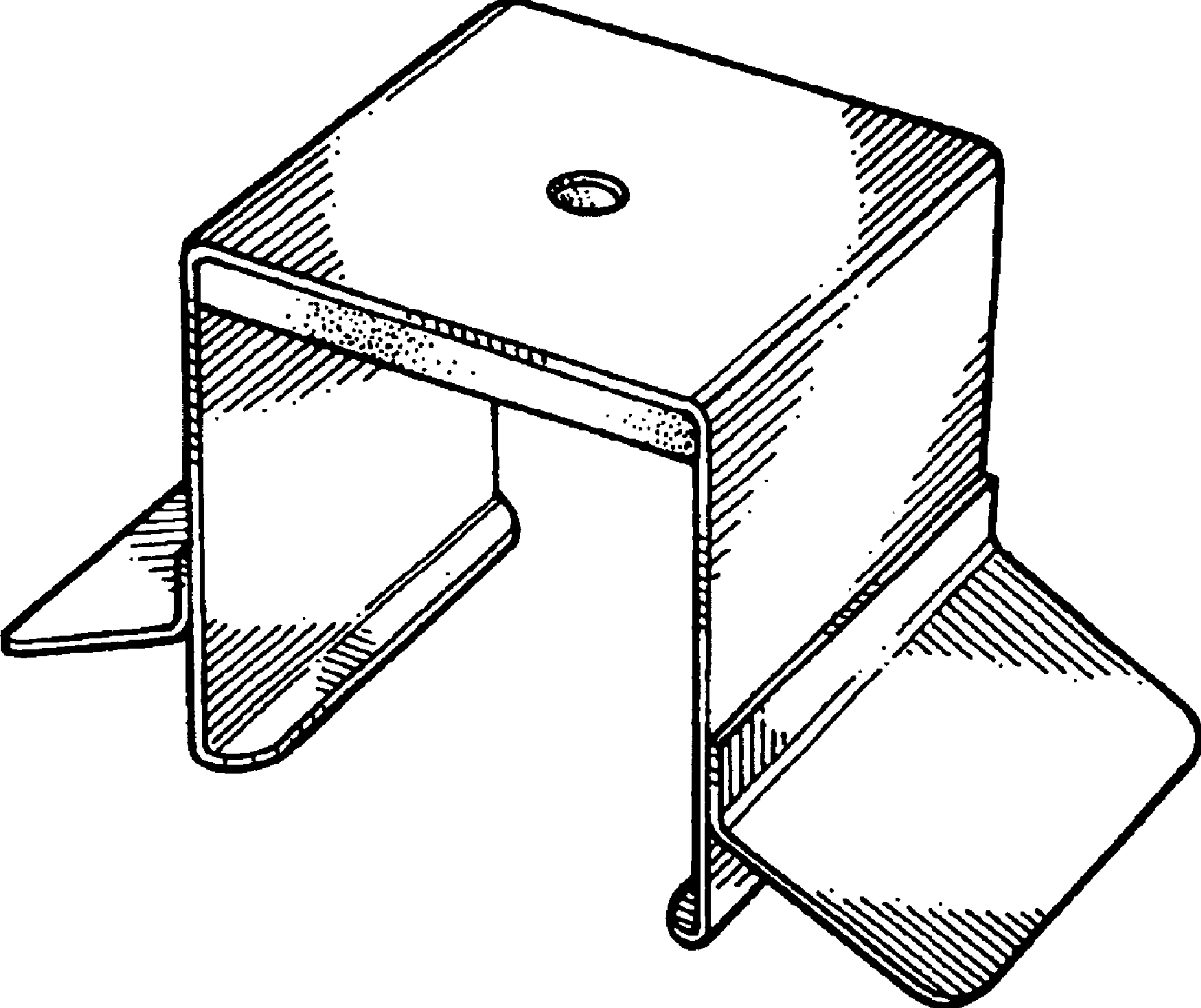


FIG. 1

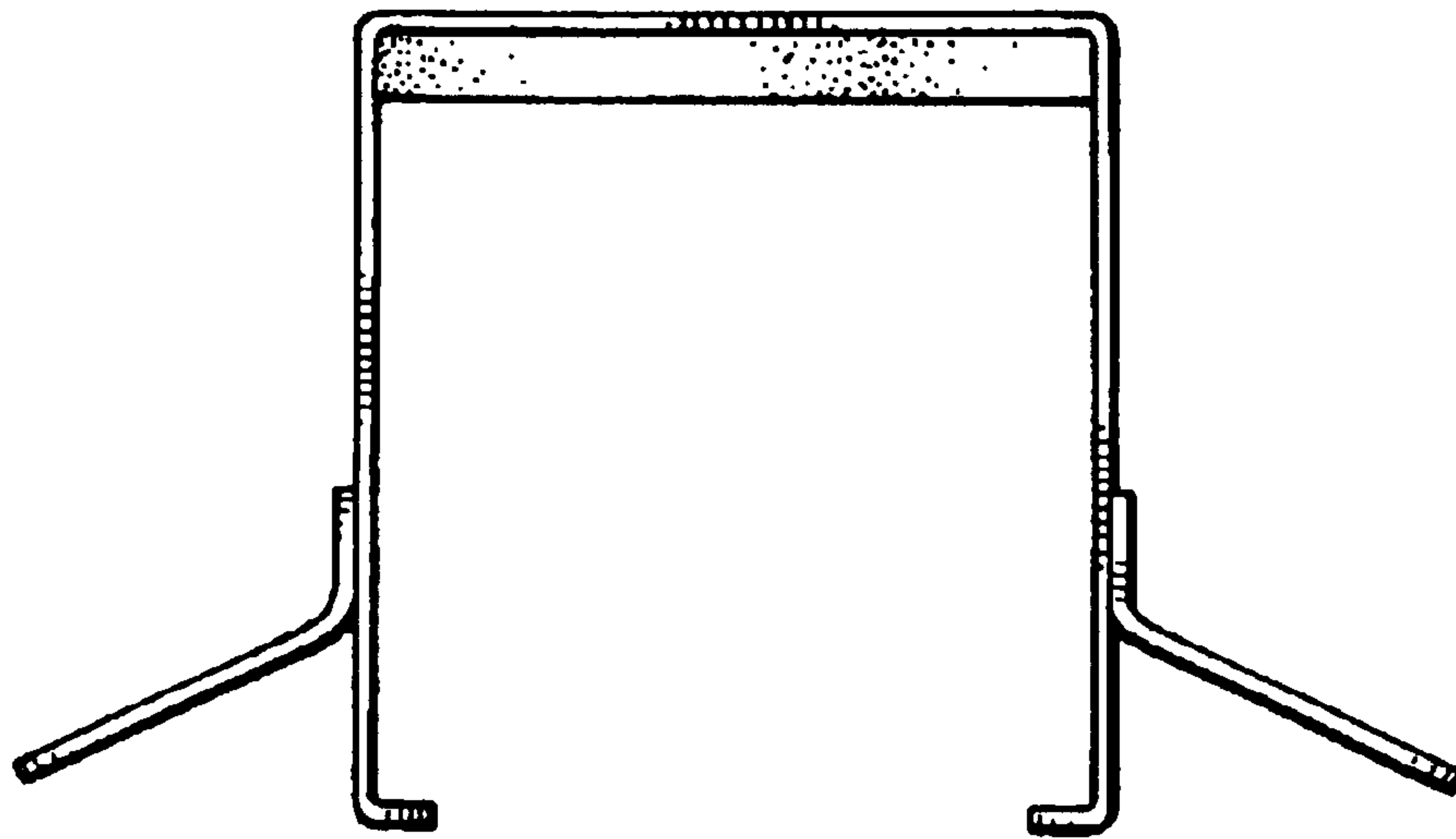


FIG. 2

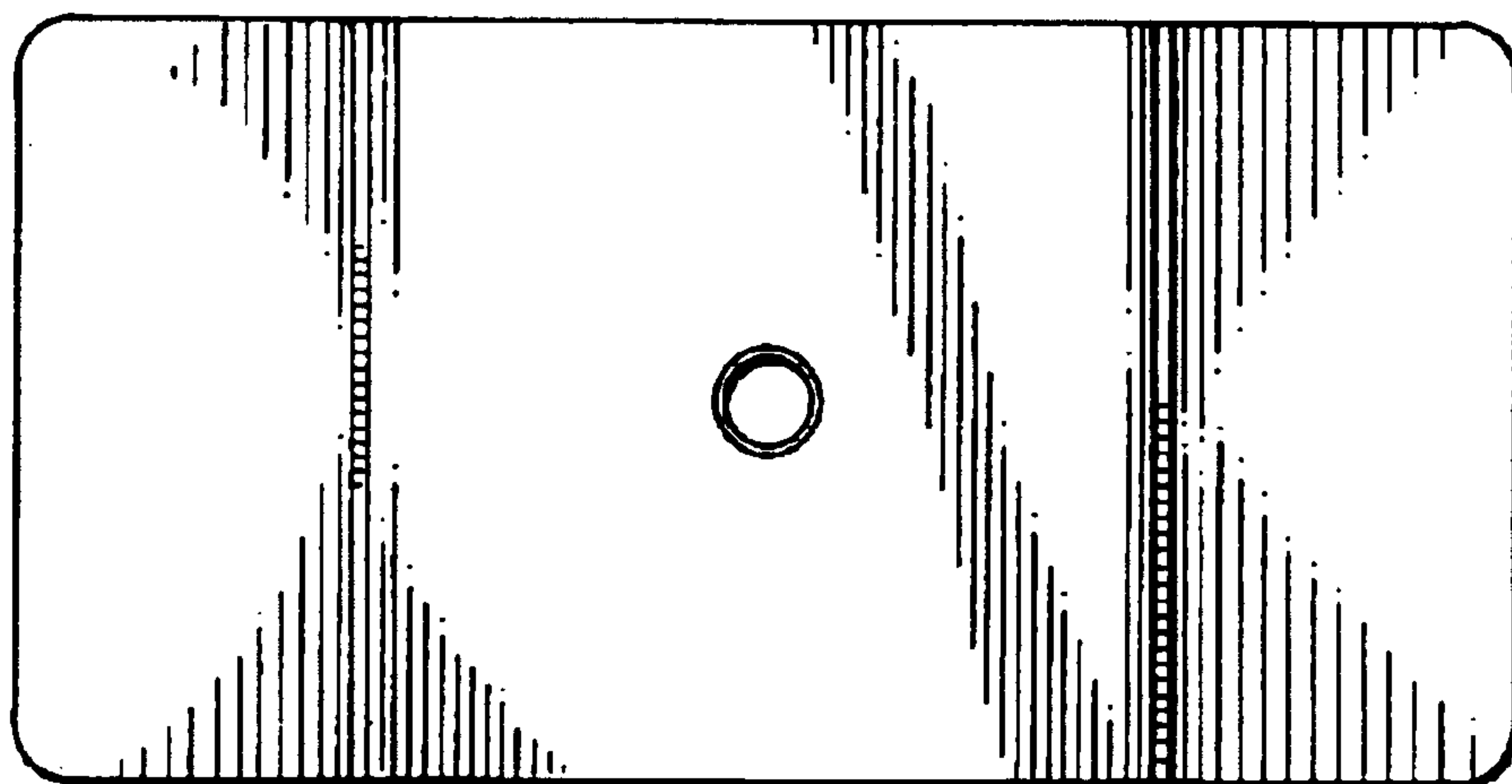


FIG. 3

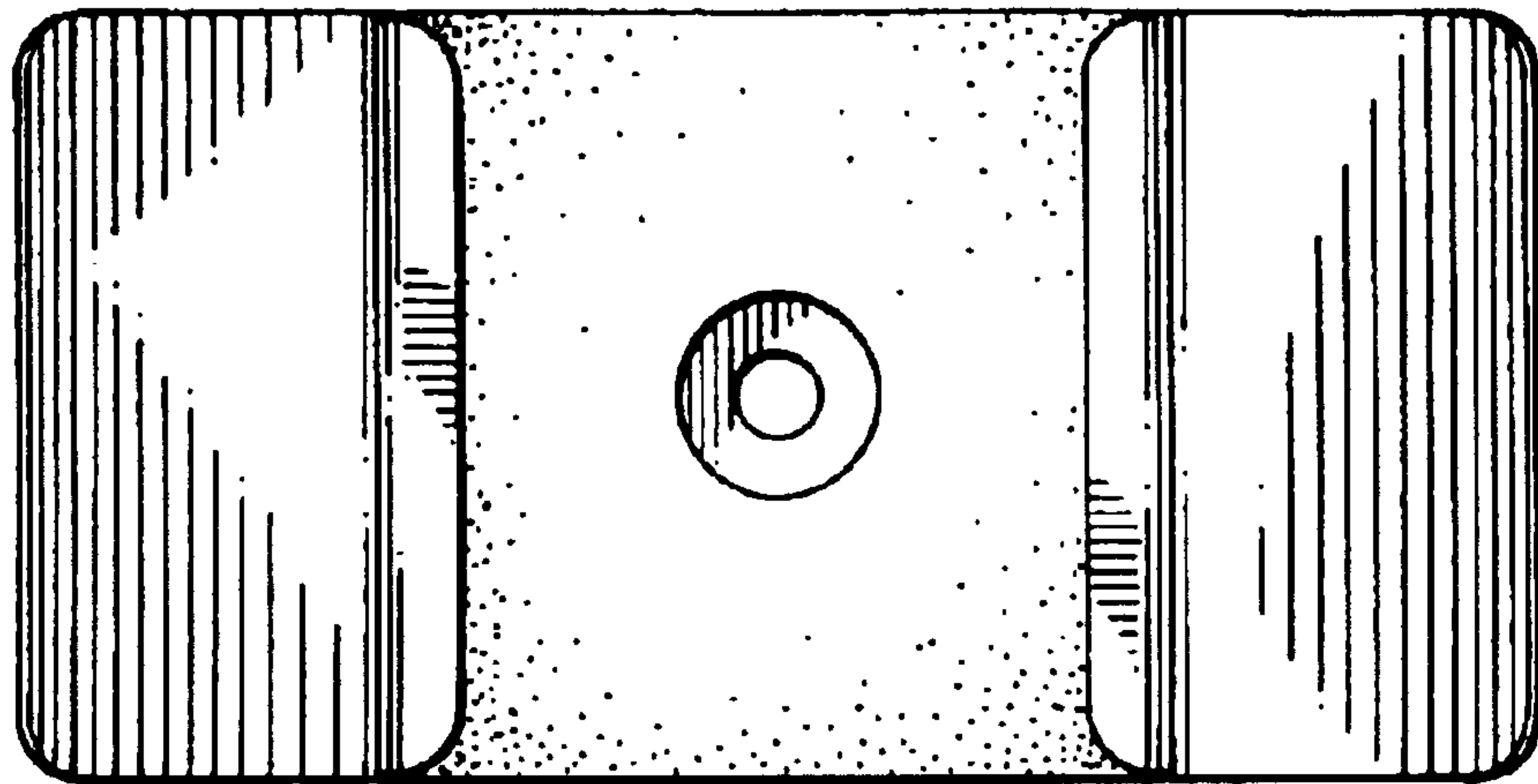


FIG. 4

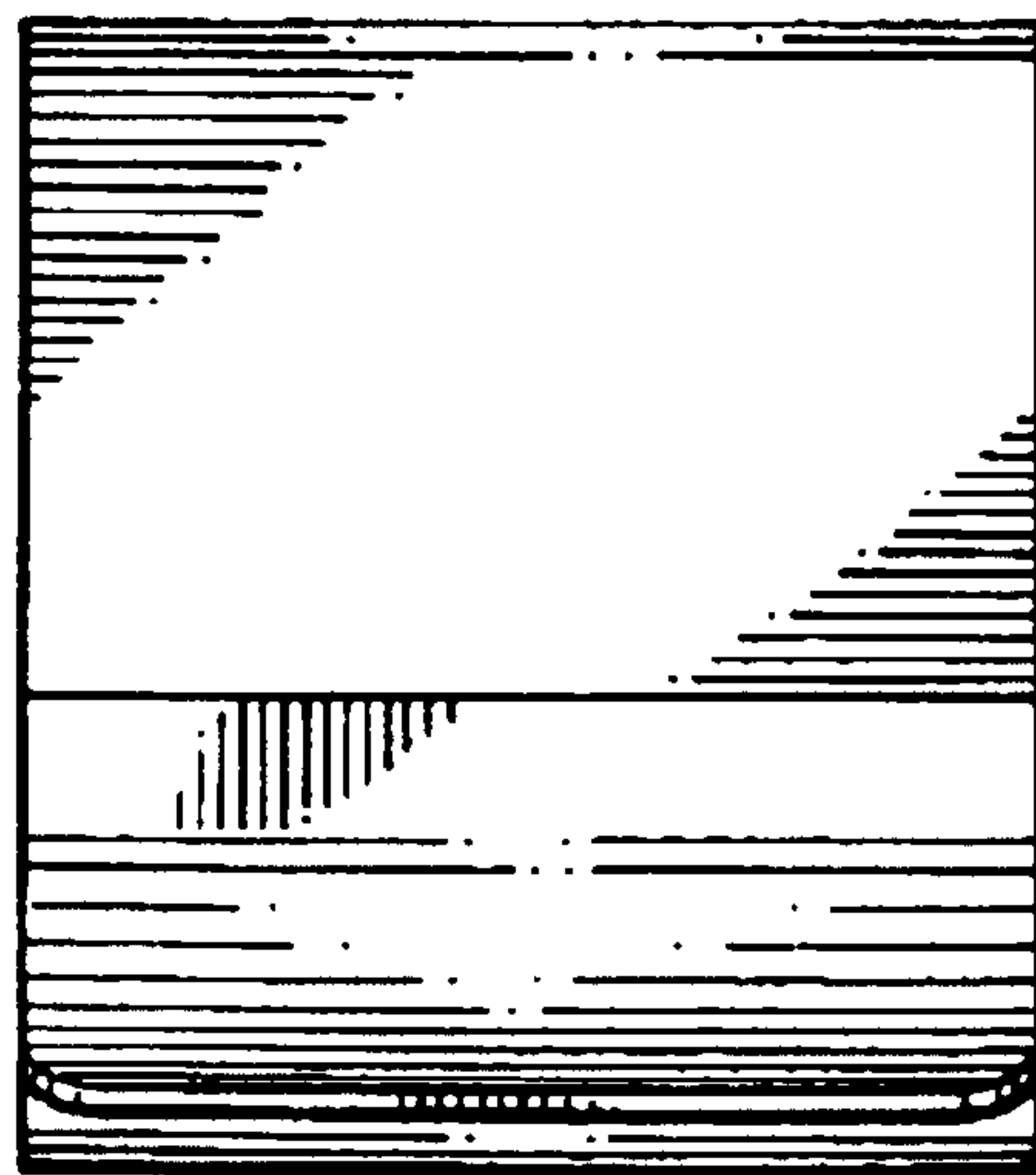


FIG. 5