



US00D513168S

(12) **United States Design Patent**  
**Chu**

(10) **Patent No.:** **US D513,168 S**  
(45) **Date of Patent:** **\*\* Dec. 27, 2005**

- (54) **U-CLAMP FOR HOSE FITTINGS**
- (76) Inventor: **Chun-Chung Chu**, No. 42, Chong Der 5th Road, Taichung (TW), 406
- (\*\*) Term: **14 Years**
- (21) Appl. No.: **29/210,164**
- (22) Filed: **Jul. 27, 2004**

5,725,185 A	*	3/1998	Auclair .....	248/73
5,820,095 A	*	10/1998	Stone .....	248/316.7
5,888,102 A	*	3/1999	Strickland .....	439/698
5,984,243 A	*	11/1999	Pfaller et al. ....	248/74.1
6,250,591 B1	*	6/2001	Cunningham .....	248/65
D490,690 S	*	6/2004	Brass et al. ....	D8/354
6,857,662 B2	*	2/2005	Chu .....	285/24

\* cited by examiner

*Primary Examiner*—Ruth McInroy  
*Assistant Examiner*—Terrence Huang  
(74) *Attorney, Agent, or Firm*—Charles E. Baxley

**Related U.S. Application Data**

- (63) Continuation-in-part of application No. 10/321,247, filed on Dec. 17, 2002, now Pat. No. 6,857,662, which is a continuation-in-part of application No. 09/998,163, filed on Nov. 28, 2001, now abandoned.
- (51) **LOC (6) Cl.** ..... **08-08**
- (52) **U.S. Cl.** ..... **D8/356**
- (58) **Field of Search** ..... D8/356, 354, 395; 248/205.1, 73, 316.7, 65, 74.1; 294/145; 438/698; 439/698, 931; 285/24

(57) **CLAIM**

The ornamental design for a U-clamp for hose fittings, as shown.

**DESCRIPTION**

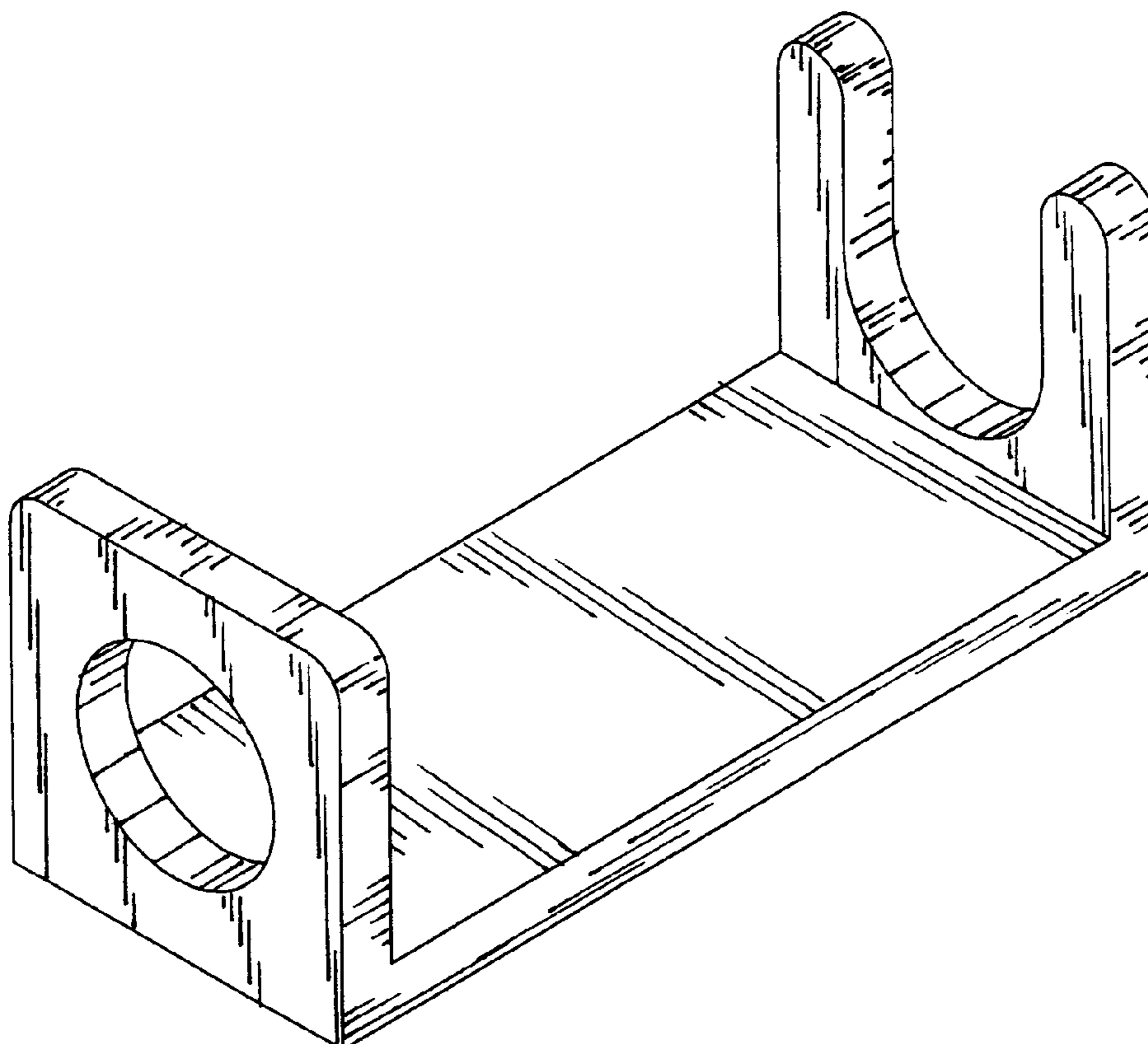
FIG. 1 is a perspective view of a U-clamp for hose fittings showing my new design;  
FIG. 2 is a front elevational view thereof;  
FIG. 3 is a rear elevational view thereof;  
FIG. 4 is a top plan view thereof;  
FIG. 5 is a bottom plan view thereof;  
FIG. 6 is a left side elevational view thereof; and,  
FIG. 7 is a right side elevational view thereof.

(56) **References Cited**

**U.S. PATENT DOCUMENTS**

4,331,357 A	*	5/1982	Contreras .....	294/145
D272,125 S	*	1/1984	Van Doren .....	D8/356
4,570,888 A	*	2/1986	Evans .....	248/205.1
D297,112 S	*	8/1988	Holdaway .....	D8/395

**1 Claim, 2 Drawing Sheets**



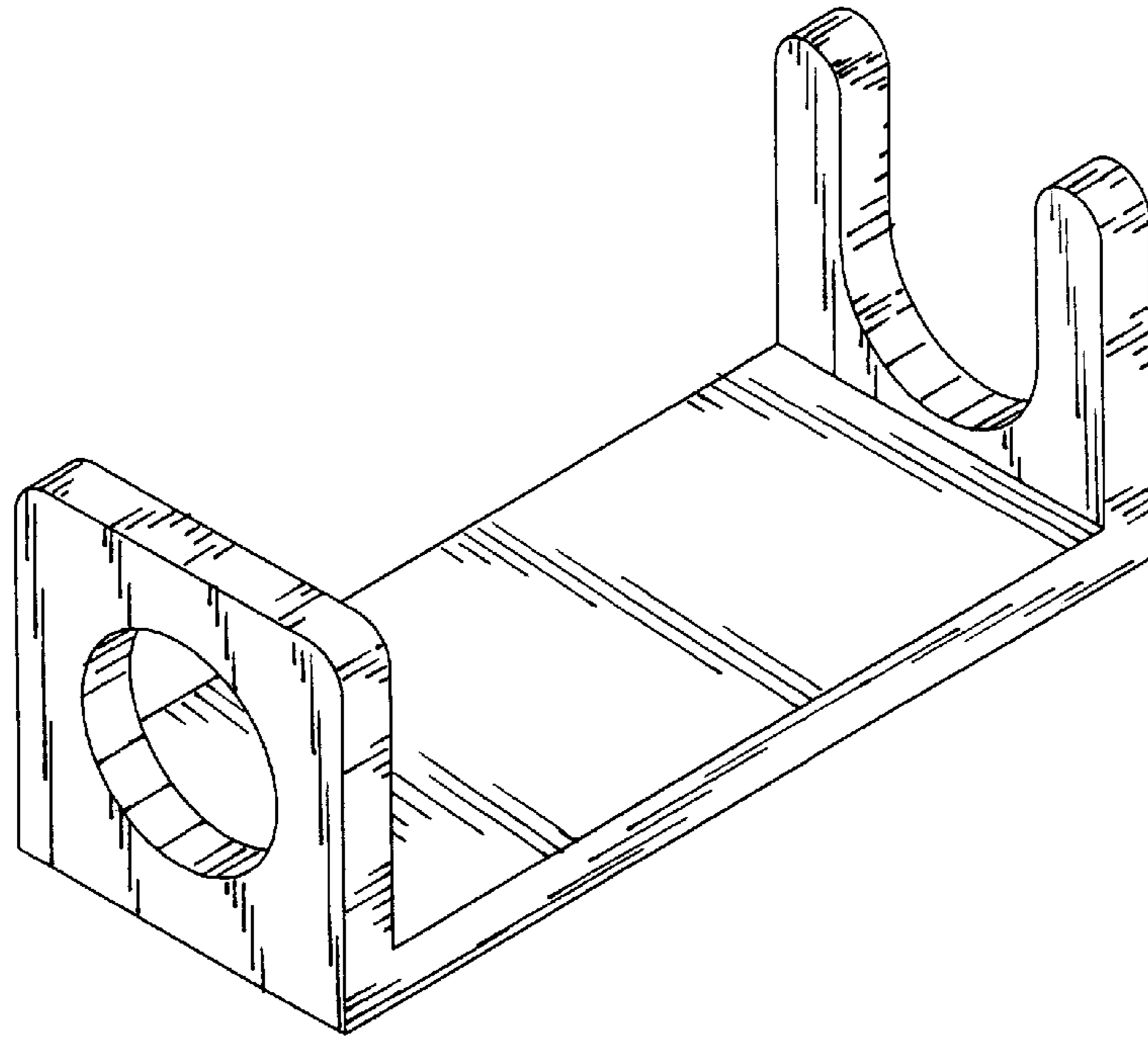


FIG. 1



FIG. 2



FIG. 3

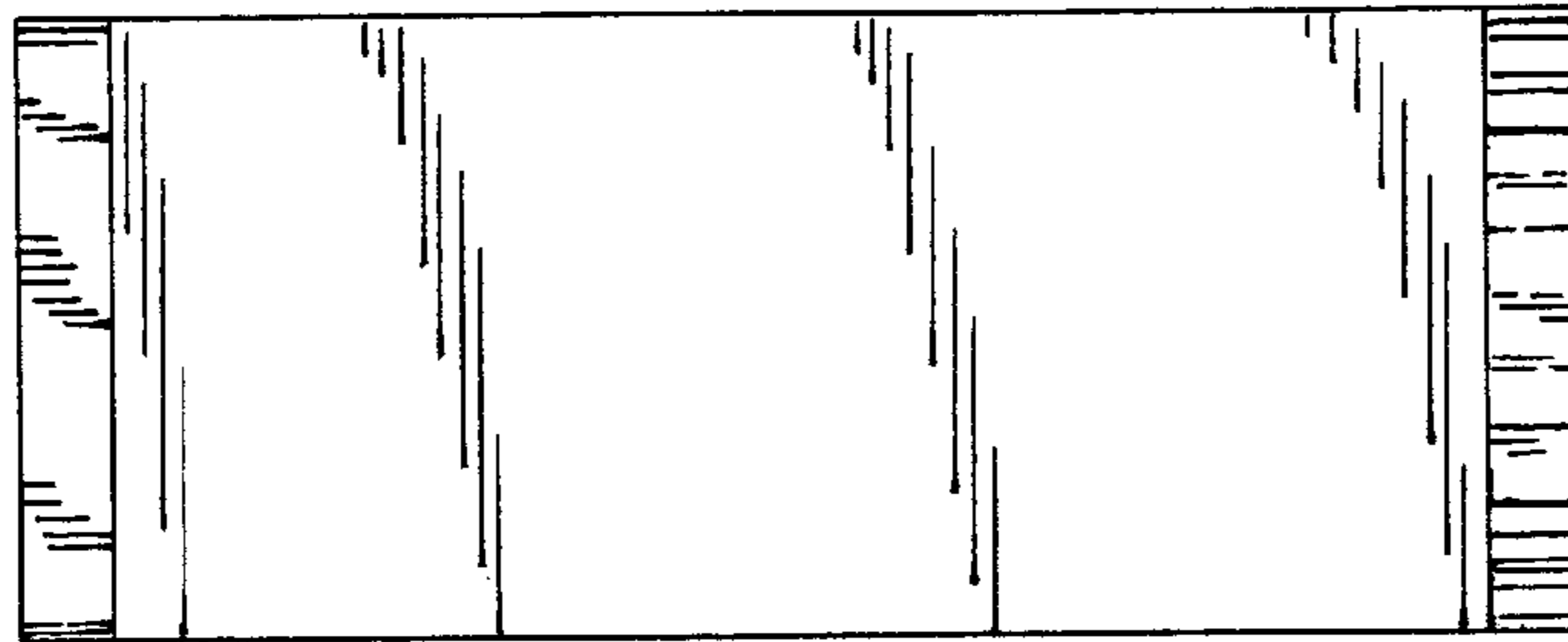


FIG. 4

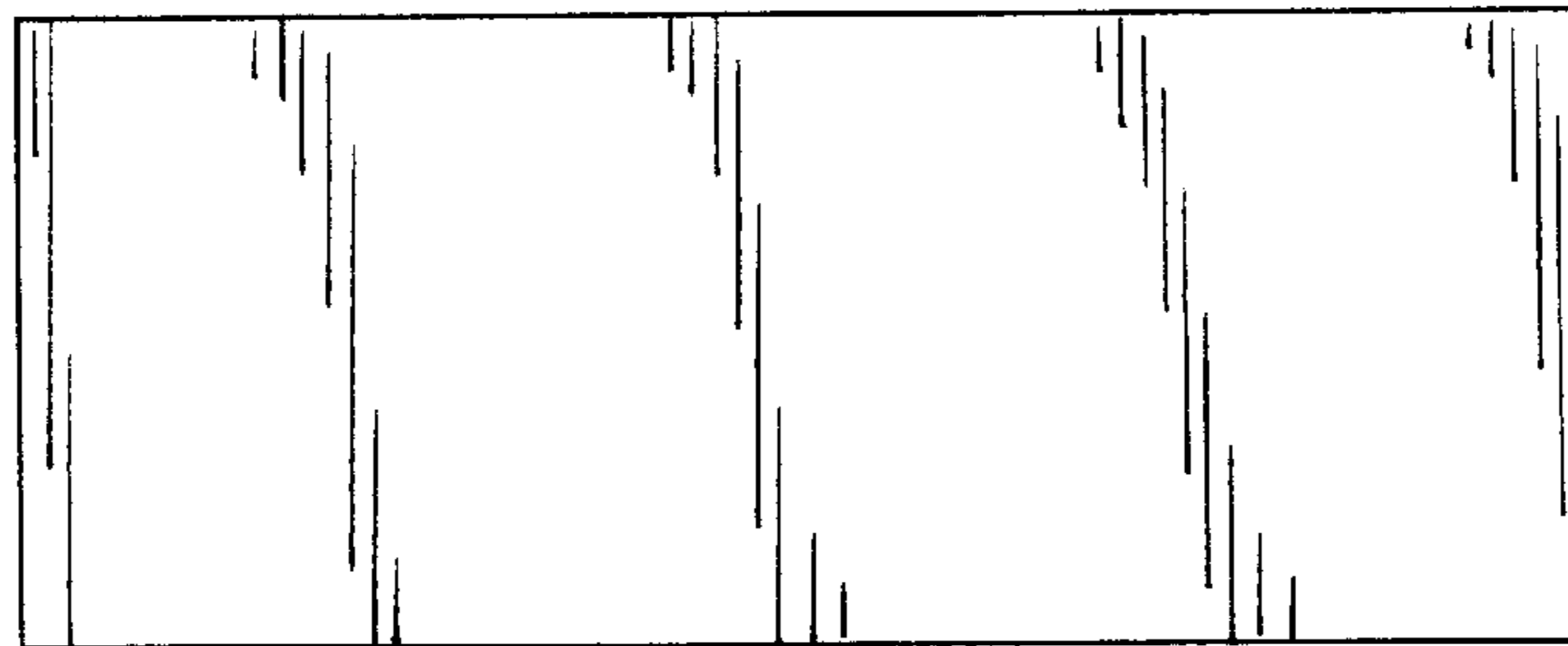


FIG. 5

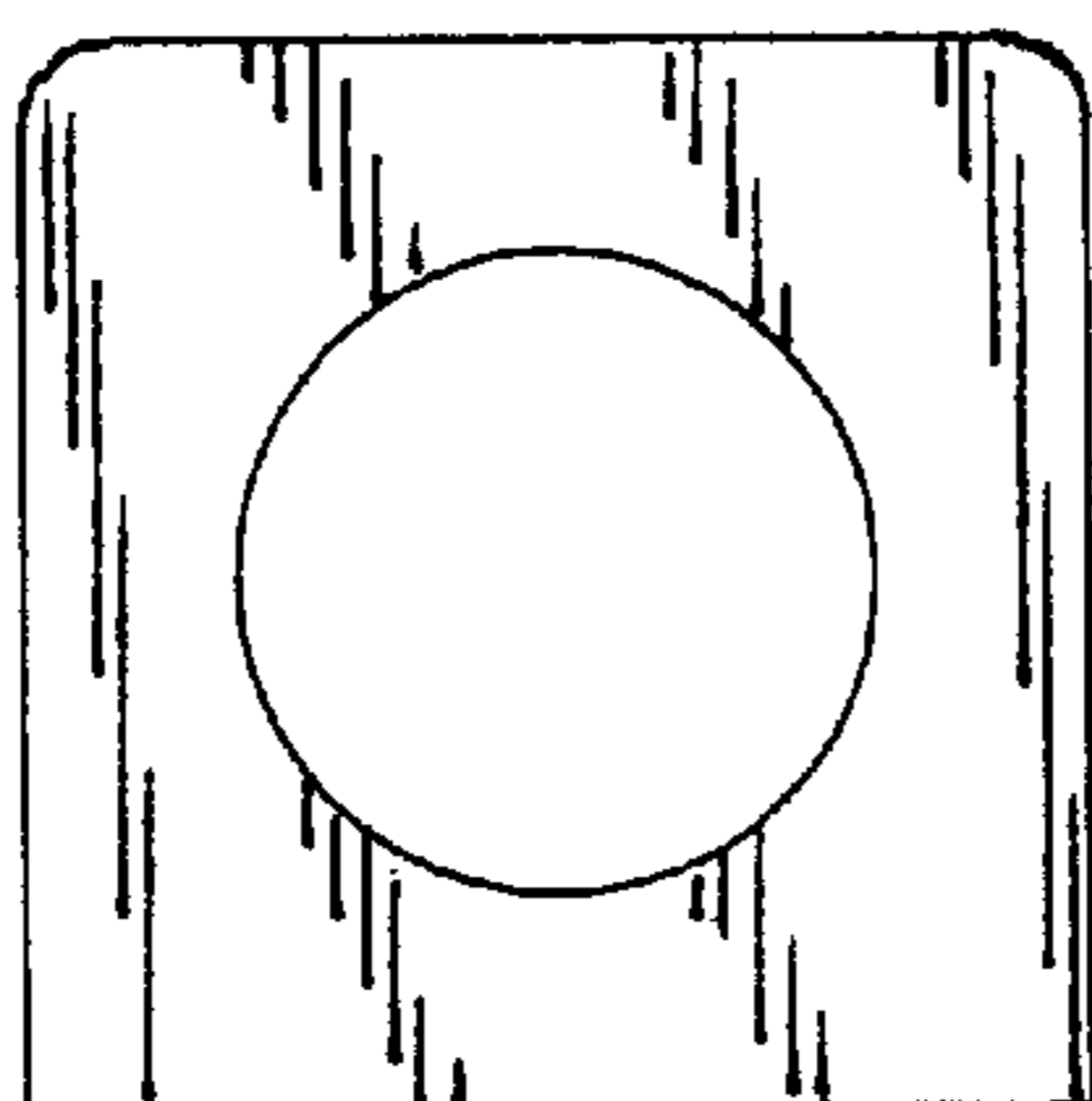


FIG. 6

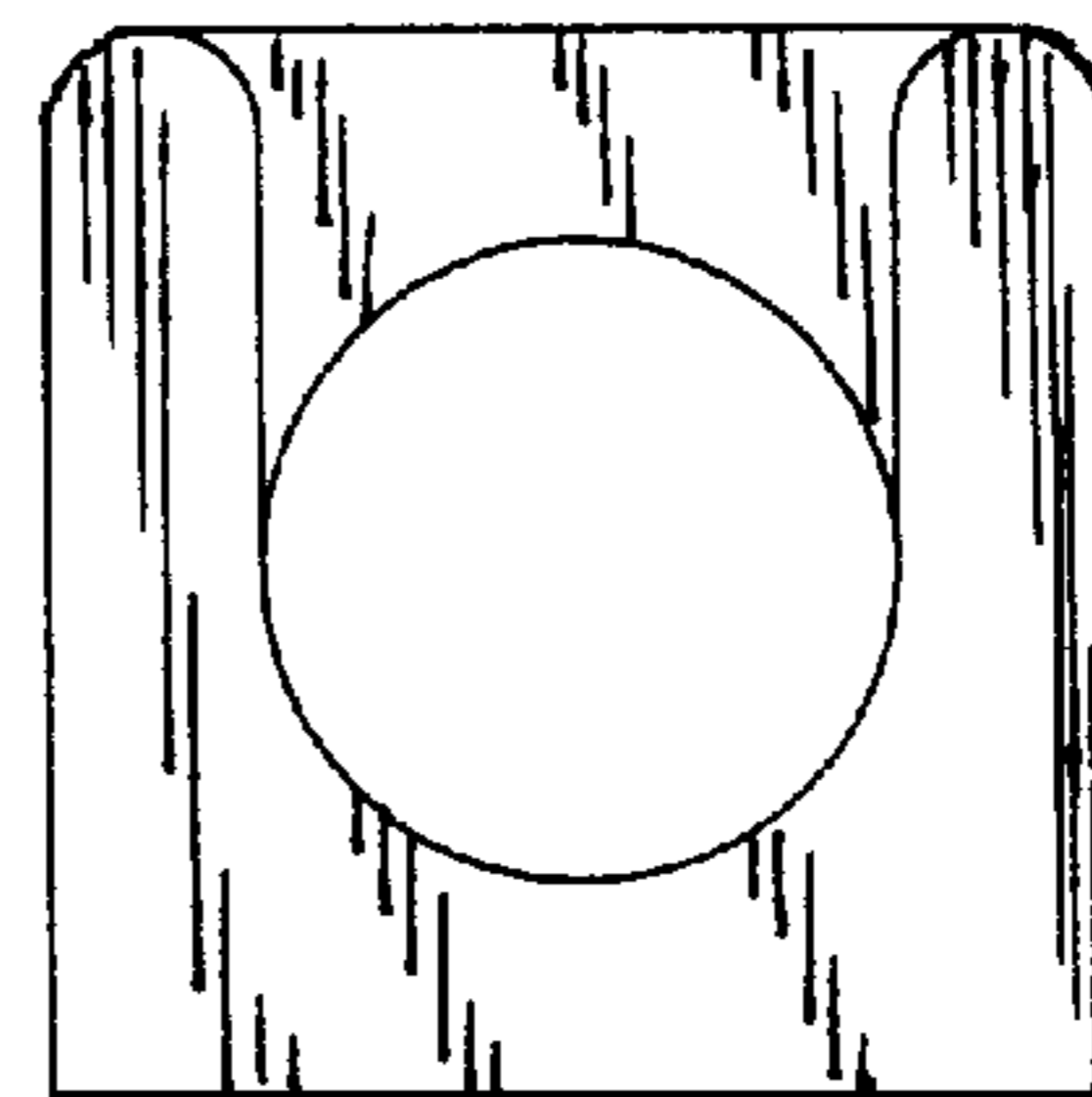


FIG. 7