



US00D513167S

(12) **United States Design Patent** (10) **Patent No.:** **US D513,167 S**
Groff et al. (45) **Date of Patent:** **** Dec. 27, 2005**

(54) **RAILING ATTACHMENT DEVICE**

(75) Inventors: **Malcolm K. Groff**, Orwigsburg, PA (US); **Yeu-Tien Yu**, Shin Dain (TW)

(73) Assignee: **LTL Wholesale Inc.**, Schuylkill Haven, PA (US)

(**) Term: **14 Years**

(21) Appl. No.: **29/223,405**

(22) Filed: **Feb. 14, 2005**

Related U.S. Application Data

(63) Continuation of application No. 10/922,596, filed on Aug. 20, 2004.

(51) **LOC (6) Cl.** **08-05**

(52) **U.S. Cl.** **D8/354**

(58) **Field of Search** D8/354, 358; 242/405.1; 340/628, 571, 572, 573, 577; 356/256; 43/57.1; D10/106; 52/301; 16/2; D14/238

(56) **References Cited**

U.S. PATENT DOCUMENTS

2,553,097	A	*	5/1951	Lampe	242/405.1
D222,031	S	*	9/1971	Buhram et al.	D8/358
4,236,822	A	*	12/1980	Jaretsky et al.	356/256
4,702,035	A	*	10/1987	Palm	43/57.1
D311,486	S	*	10/1990	Hickman	D8/358
D347,567	S	*	6/1994	Duffy	D8/354
D356,050	S	*	3/1995	Tice et al.	D10/106
D361,732	S	*	8/1995	Fischette et al.	D10/106
D373,069	S	*	8/1996	McCarthy	D8/354
D376,815	S	*	12/1996	Vermillion	D8/354
D436,022	S	*	1/2001	Arnold	D8/358
2003/0227389	A1	*	12/2003	McGreal et al.	340/628

* cited by examiner

Primary Examiner—Ruth McInroy
Assistant Examiner—Terrence Huang

(74) *Attorney, Agent, or Firm*—Frank A. Mazzeo, P.C.; Frank A. Mazzeo

(57) **CLAIM**

The ornamental design for a railing attachment device, as shown and described.

DESCRIPTION

FIG. 1 is an exploded perspective view of a railing attachment device showing our new design, depicting the bottom of the first coupling and the top of the second coupling;

FIG. 2 is a perspective view thereof in assembled condition, showing the first coupling and the second coupling connected;

FIG. 3 is a bottom perspective view thereof in assembled condition, showing the first coupling and the second coupling connected;

FIG. 4 is a top plan view of the second coupling thereof;

FIG. 5 is a right-side view of the second coupling thereof, the left-side being a mirror image;

FIG. 6 is a right-side view of the second coupling thereof, rotated 90 degrees from FIG. 5, the left-side being a mirror image;

FIG. 7 is a bottom plan view of the second coupling thereof;

FIG. 8 is a perspective view of the bottom of the first coupling thereof;

FIG. 9 is a perspective view of the top of the first coupling thereof;

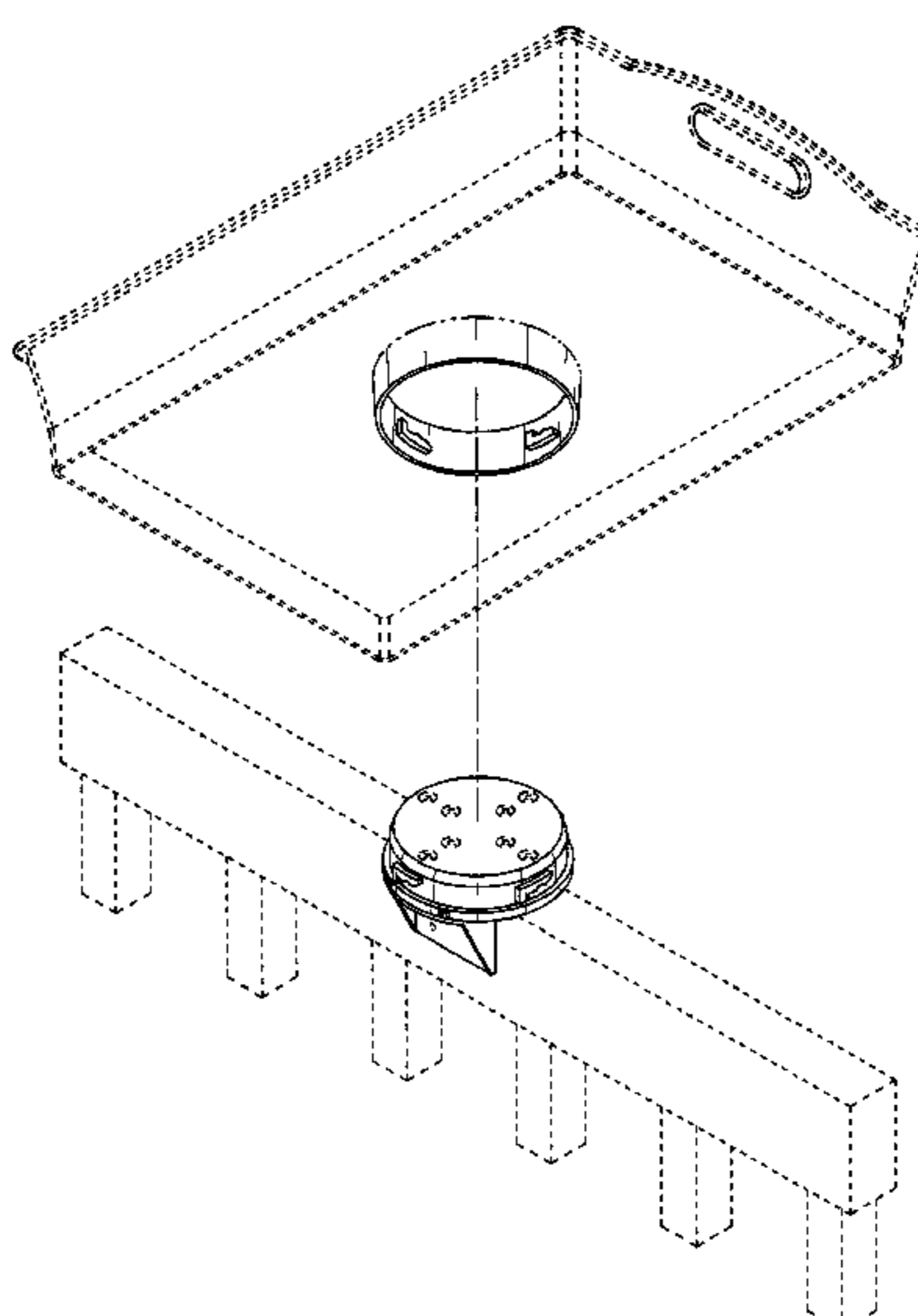
FIG. 10 is a side elevational view of the first coupling thereof, all sides being a mirror image of the other sides as the first coupling is circular; and,

FIG. 11 is a bottom plan view of the first coupling thereof. Portions of the claimed design are shown separate for ease of illustration.

The broken lines are for illustrative purposes only and form no part of the claimed design.

The broken lines which define the bounds of the claimed design form no part thereof.

1 Claim, 6 Drawing Sheets



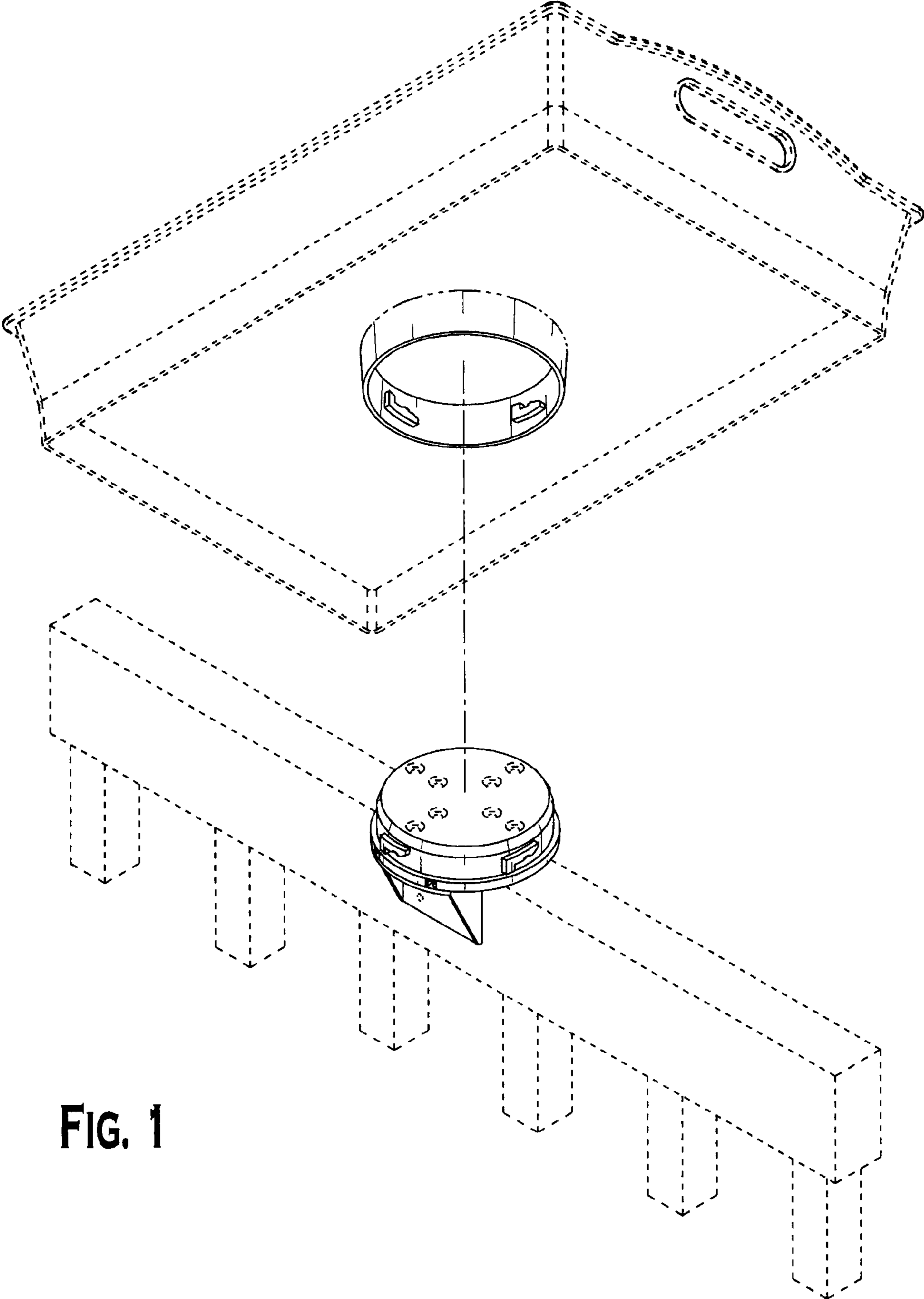


FIG. 1

FIG. 2

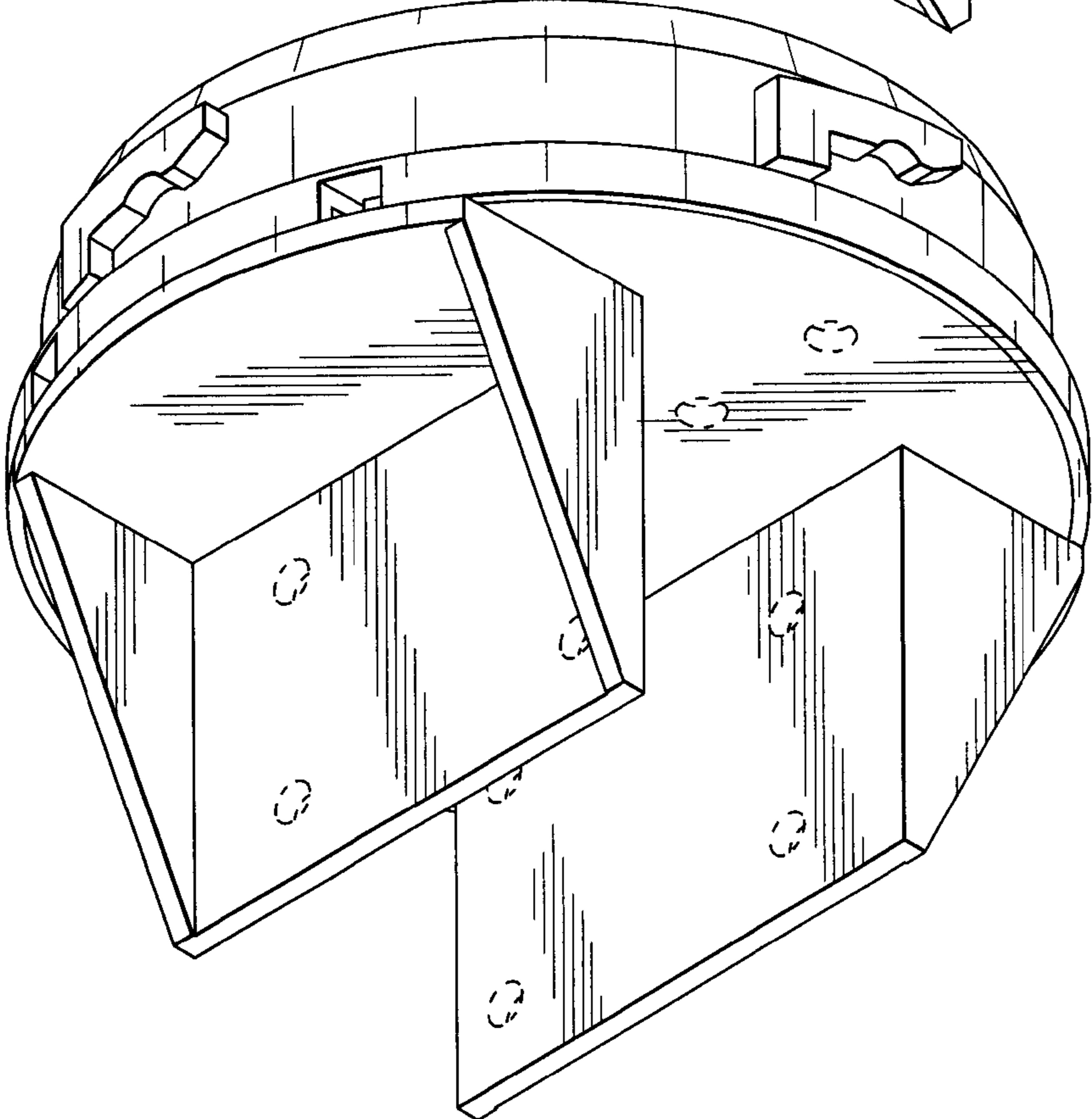
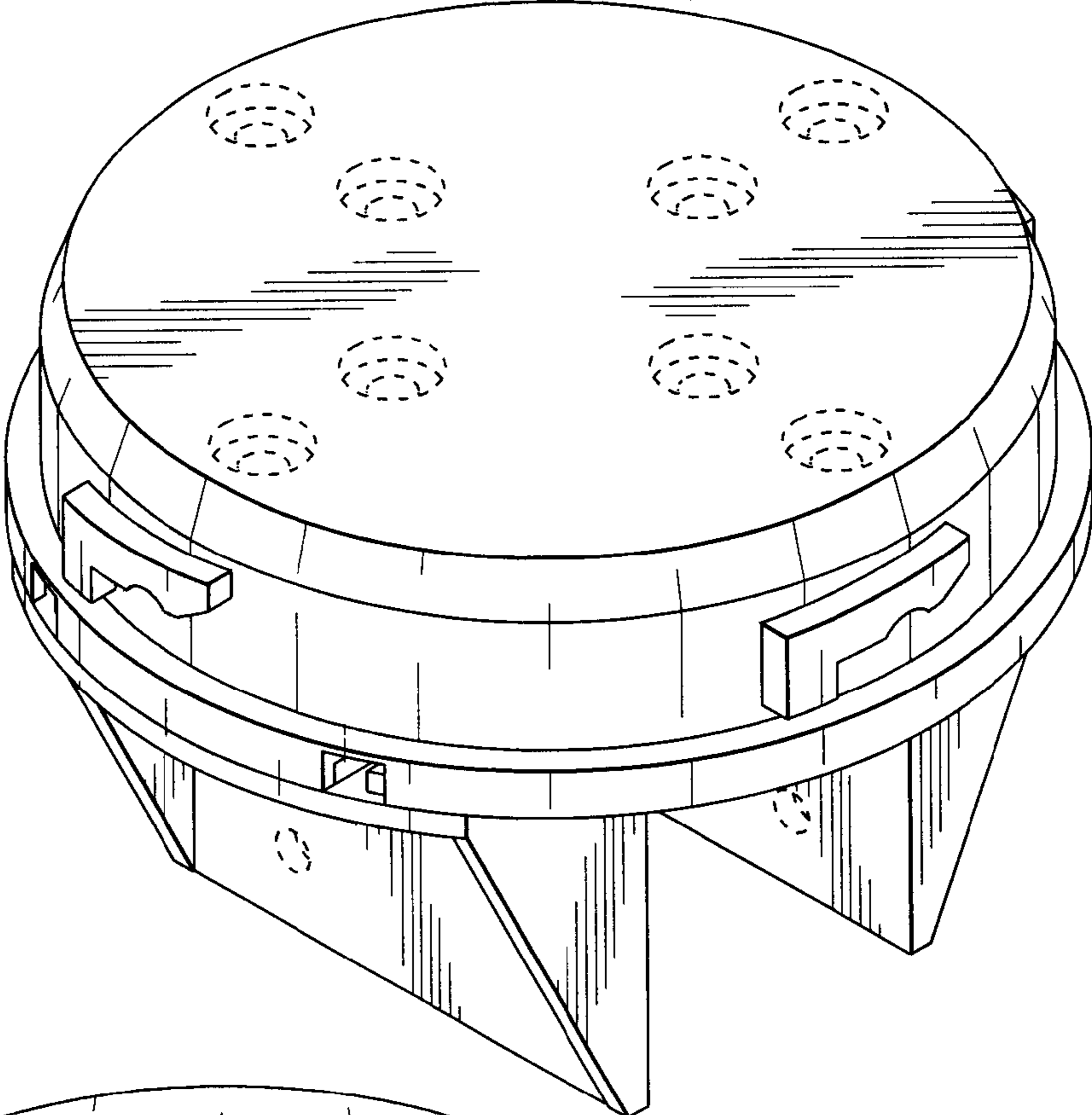


FIG. 3

FIG. 4

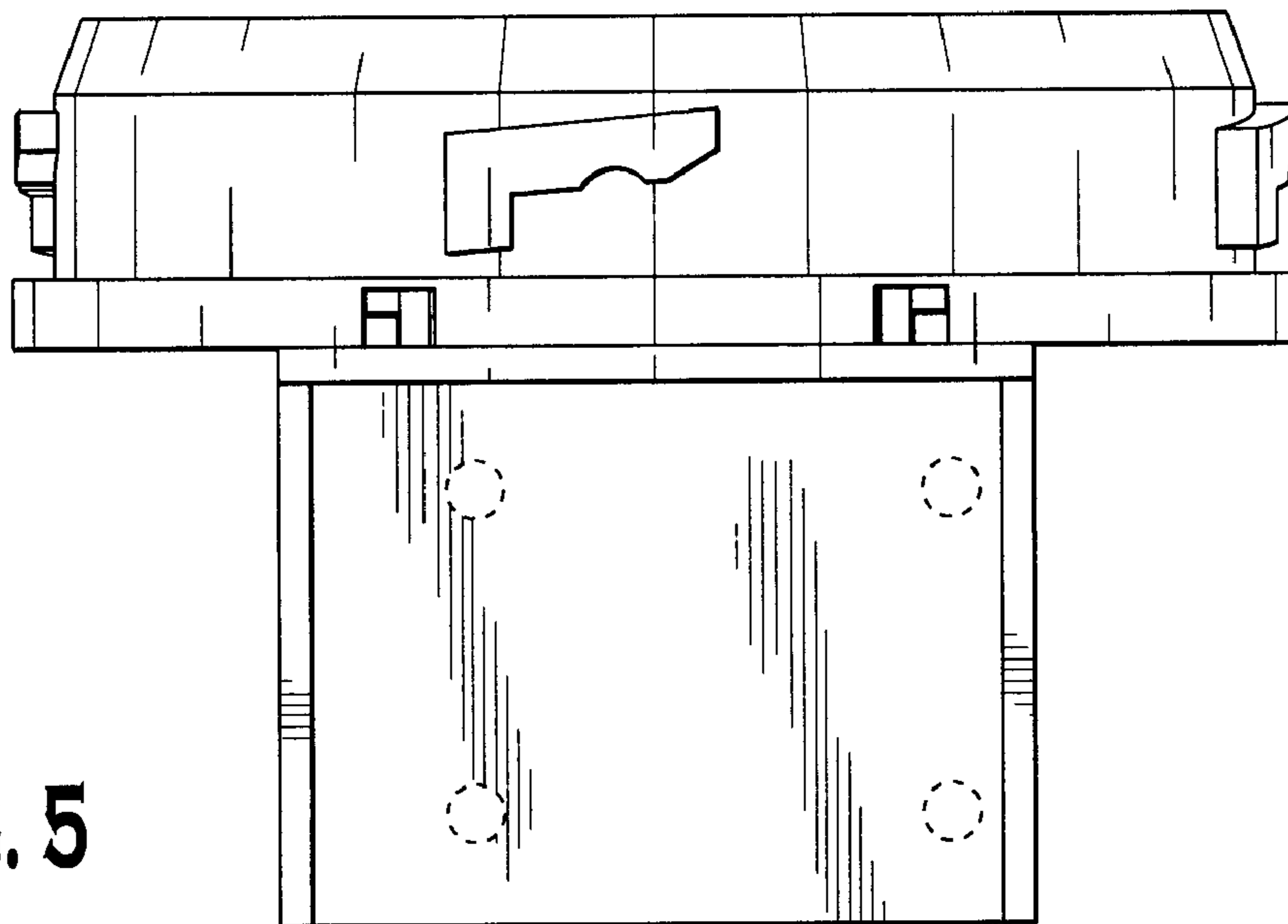
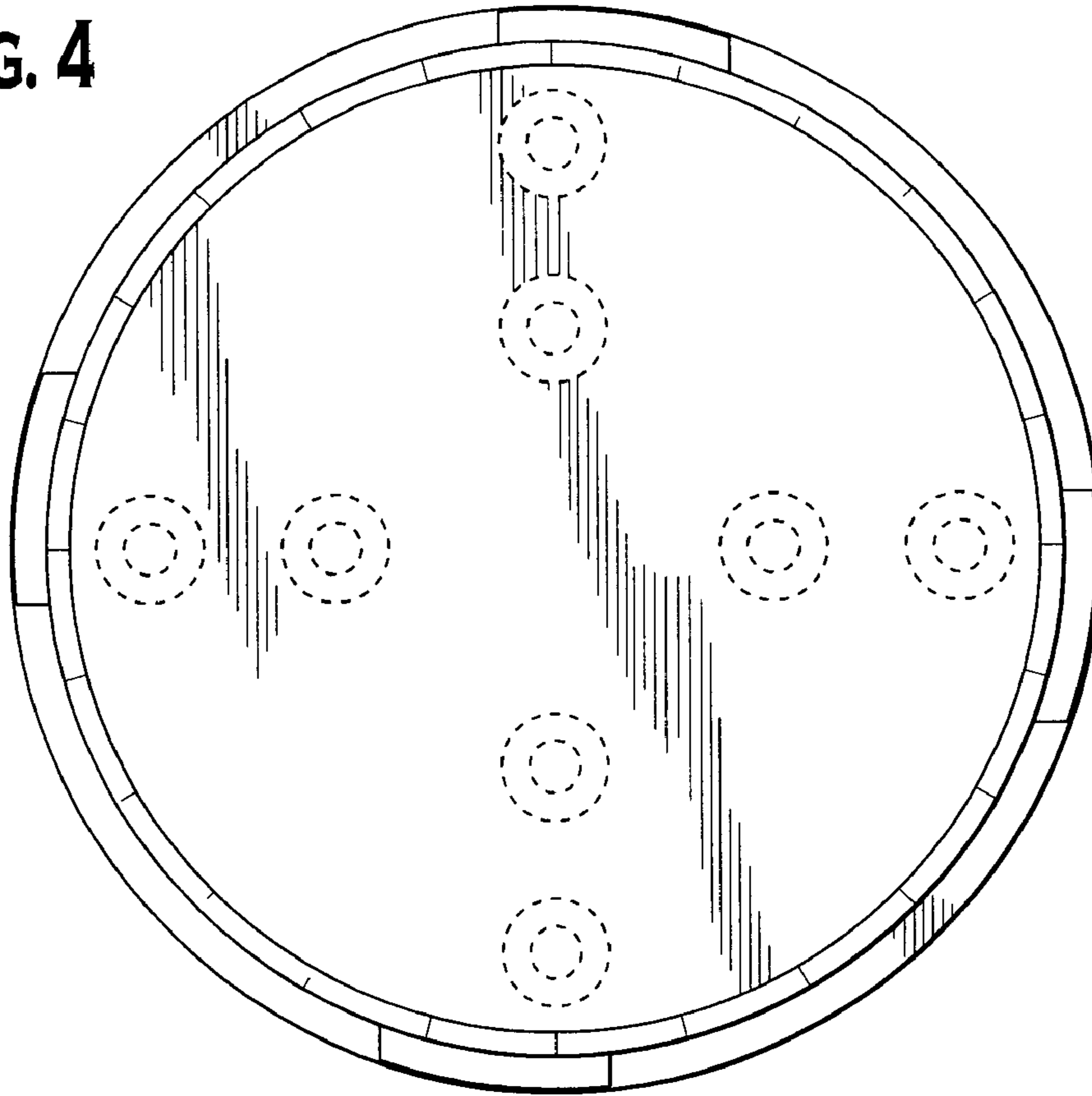


FIG. 5

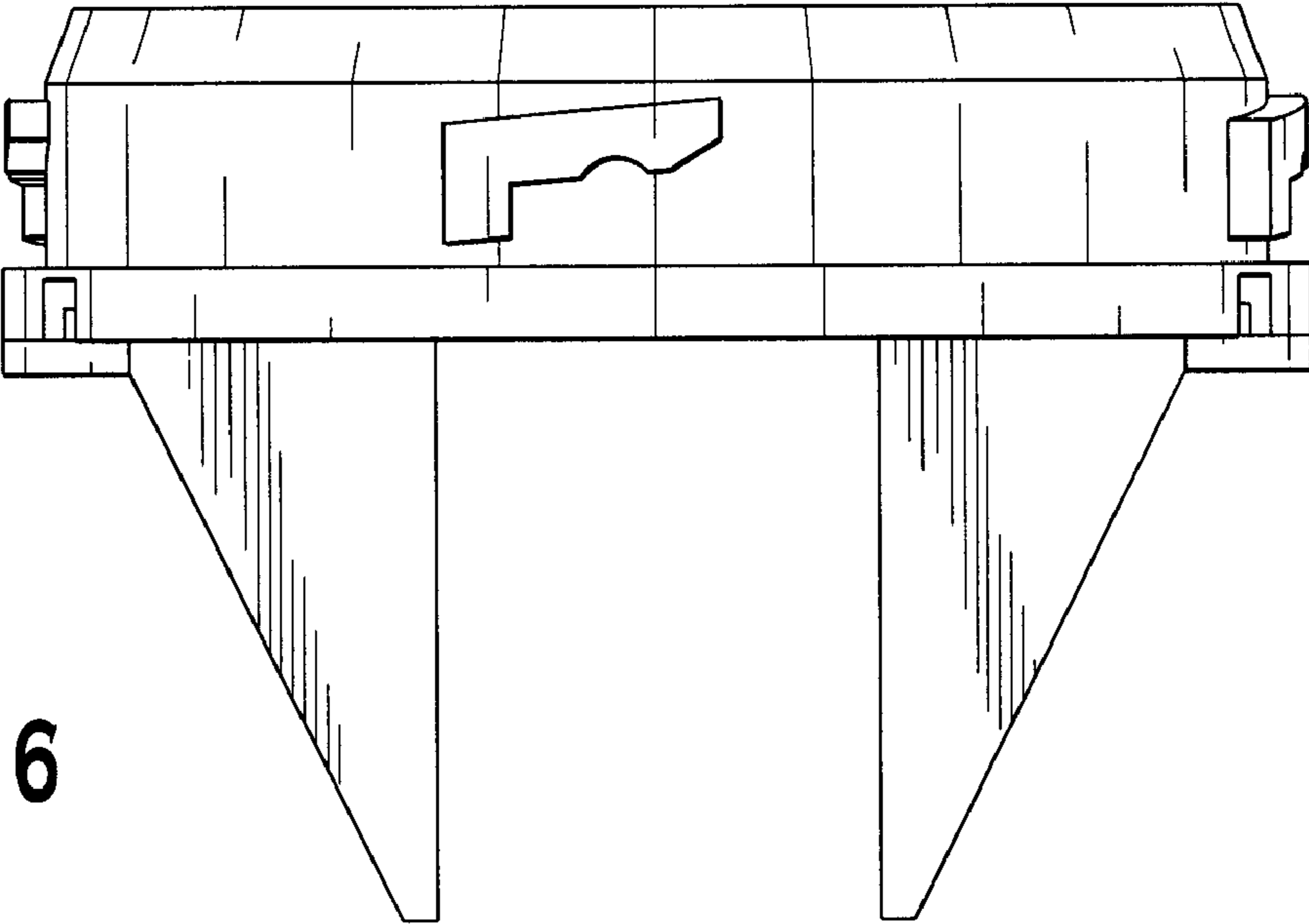


FIG. 6

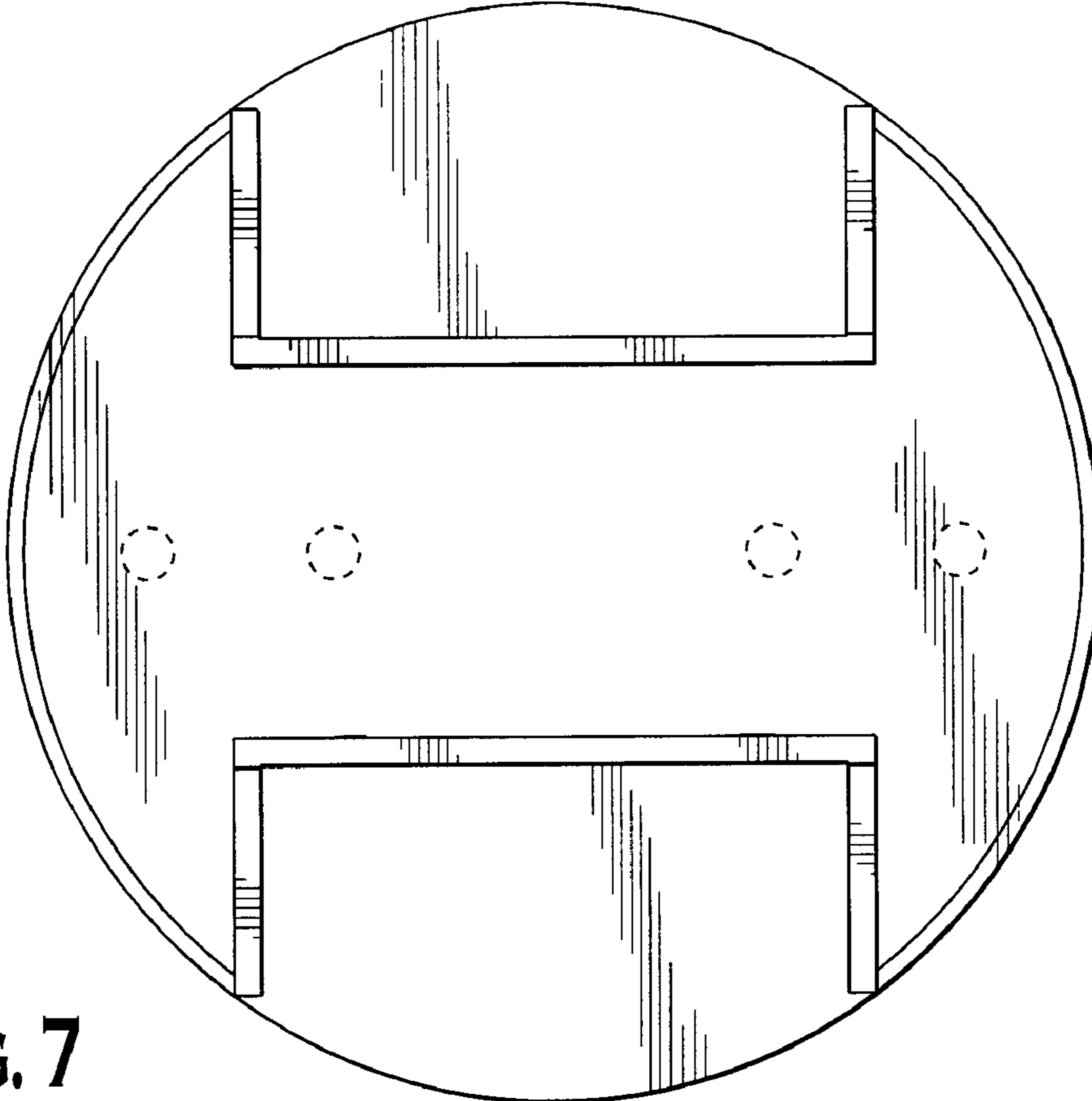


FIG. 7

FIG. 8

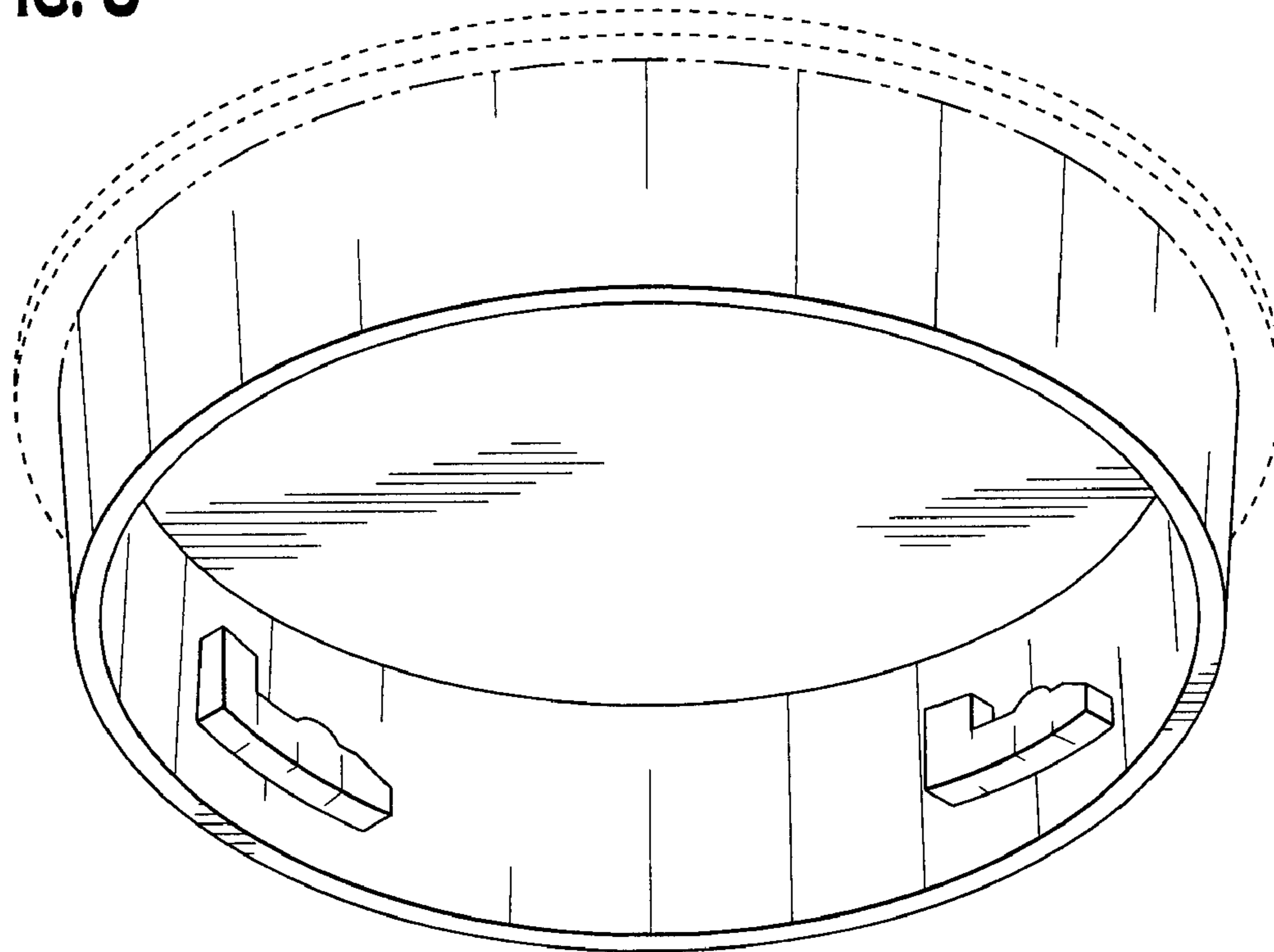


FIG. 9

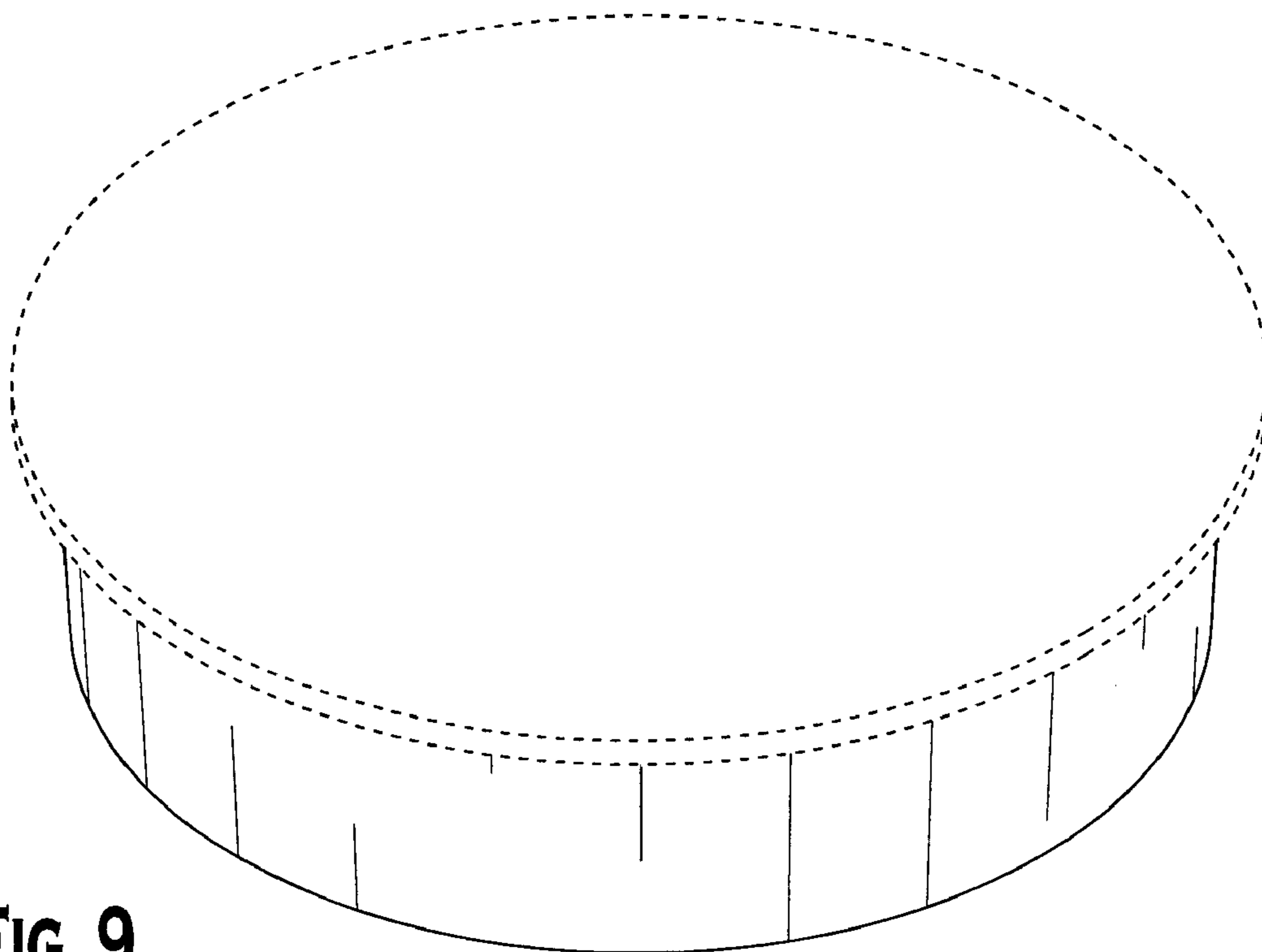


FIG. 10

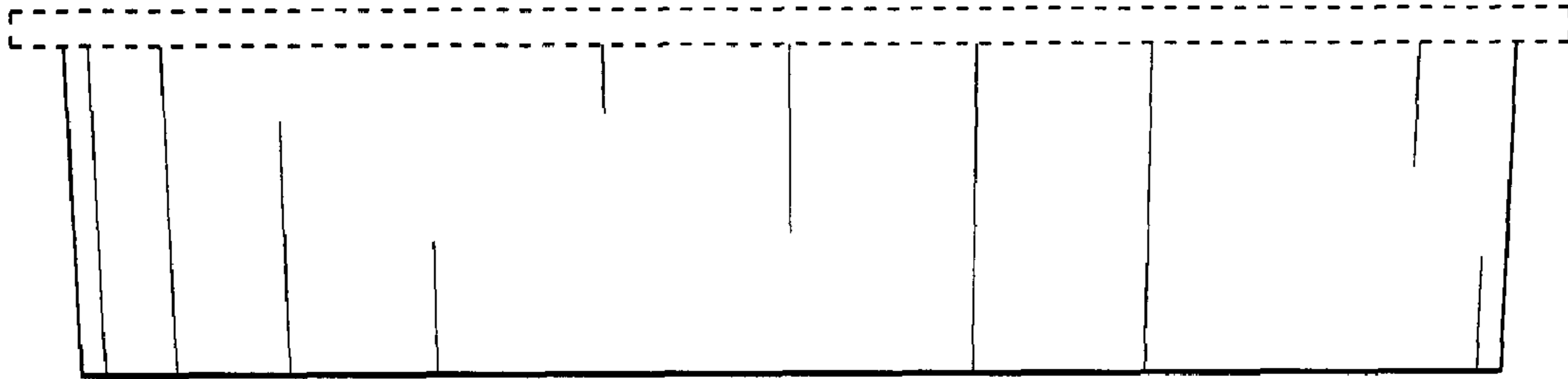


FIG. 11

