



US00D513165S

(12) **United States Design Patent**
Loewenthal

(10) **Patent No.: US D513,165 S**

(45) **Date of Patent: ** Dec. 27, 2005**

(54) **MANUAL CRANK**

(75) **Inventor: Howard Loewenthal, Hinkley, OH (US)**

(73) **Assignee: Invacare Corporation, Elyria, OH (US)**

(**) **Term: 14 Years**

(21) **Appl. No.: 29/192,647**

(22) **Filed: Oct. 27, 2003**

(51) **LOC (6) Cl. 08-01**

(52) **U.S. Cl. D8/309; D8/307**

(58) **Field of Search D8/107, 301-309, D8/315, 321, 350, 393; D23/250-252, 254; 292/59, 336, 347, 359, 397.5, DIG. 30; 16/110.1, 412-415; 4/675**

(56) **References Cited**

U.S. PATENT DOCUMENTS

- 835,149 A * 11/1906 Anderson 81/436
- 1,146,054 A * 7/1915 Curry 74/545
- 1,679,026 A * 7/1928 Fekete 70/210
- 1,720,304 A * 7/1929 Taylor 425/214
- 2,635,485 A * 4/1953 Gravenstine et al. 74/606 R

- D292,550 S * 11/1987 Jackson D8/309
- D336,233 S * 6/1993 Zimmermann D8/309
- 5,531,138 A * 7/1996 Vetter 74/606 R
- D476,541 S * 7/2003 Kushner et al. D8/39

* cited by examiner

Primary Examiner—Stella Reid

Assistant Examiner—Jean E McCormick

(74) *Attorney, Agent, or Firm*—Calfee, Halter & Griswold LLP

(57) **CLAIM**

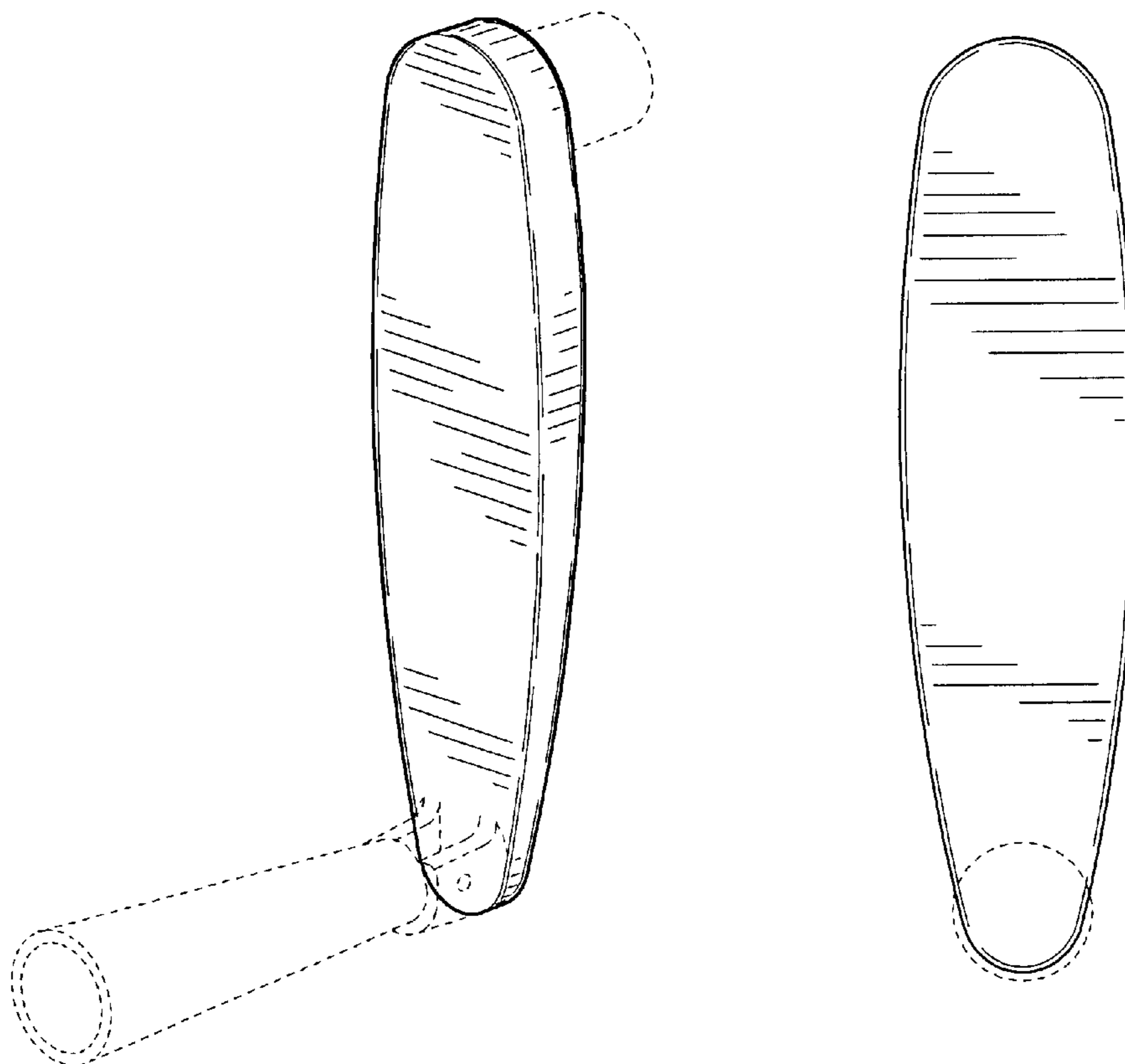
The ornamental design for a manual crank, as shown and described.

DESCRIPTION

FIG. 1 is a perspective view of a manual crank showing my new design in use condition;
 FIG. 2 is an enlarged perspective view thereof;
 FIG. 3 is an enlarged, top view thereof;
 FIG. 4 is an enlarged, bottom view thereof;
 FIG. 5 is an enlarged, right side view thereof;
 FIG. 6 is an enlarged, front view thereof; and,
 FIG. 7 is an enlarged, back view thereof.

The broken line showing in the views is for illustrative purposes only and forms no part of the claimed design.

1 Claim, 1 Drawing Sheet



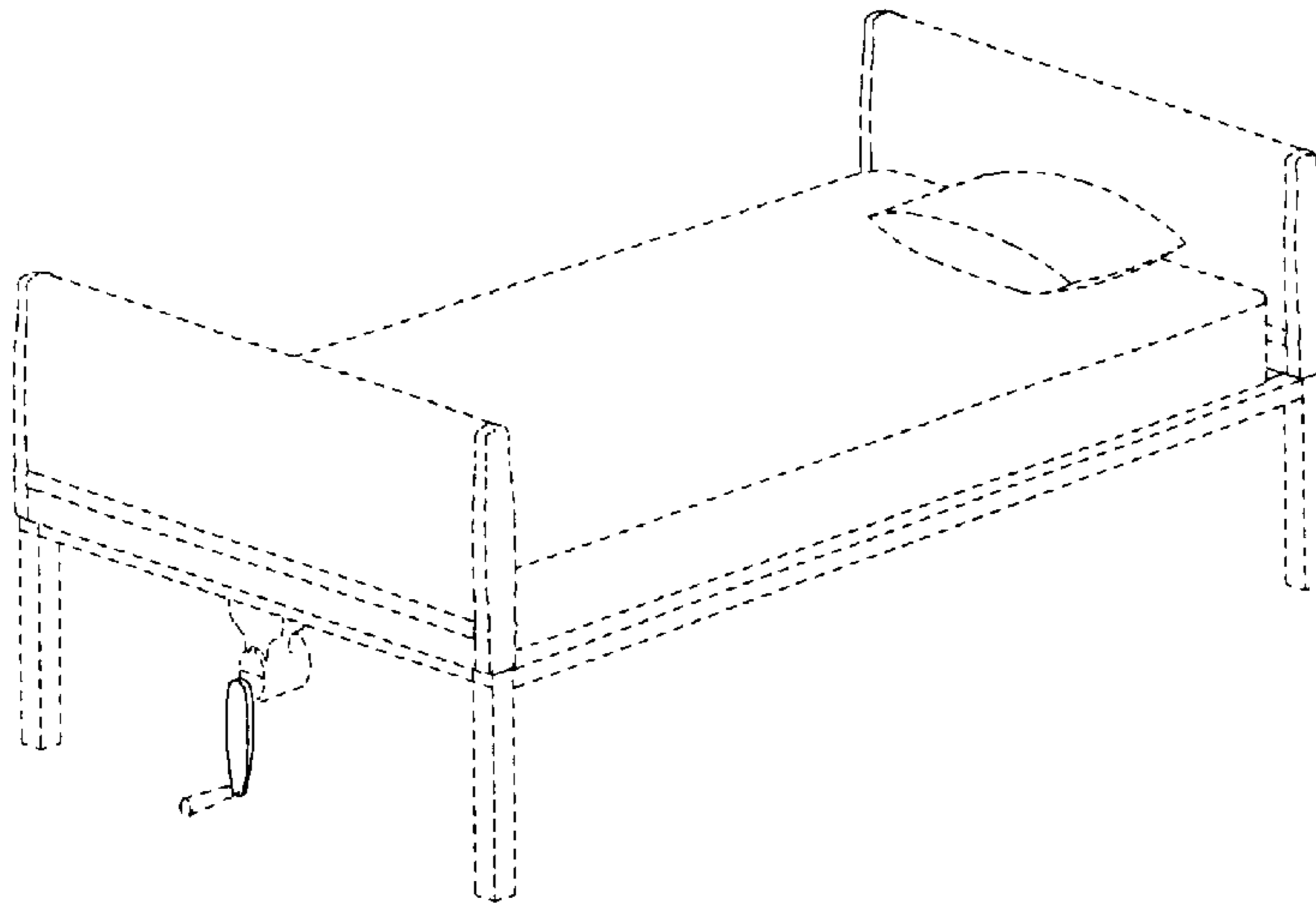


Fig.1

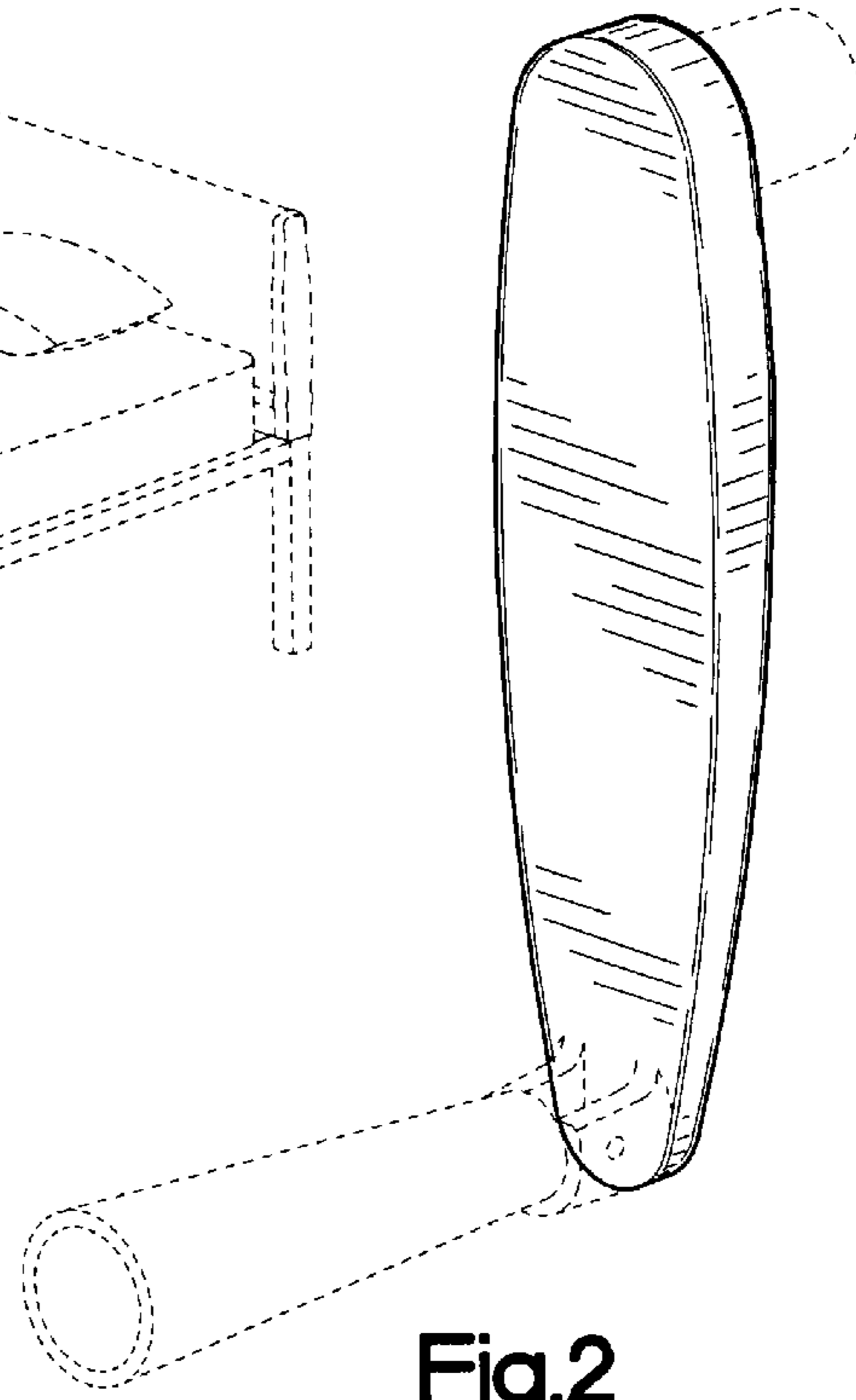


Fig.2

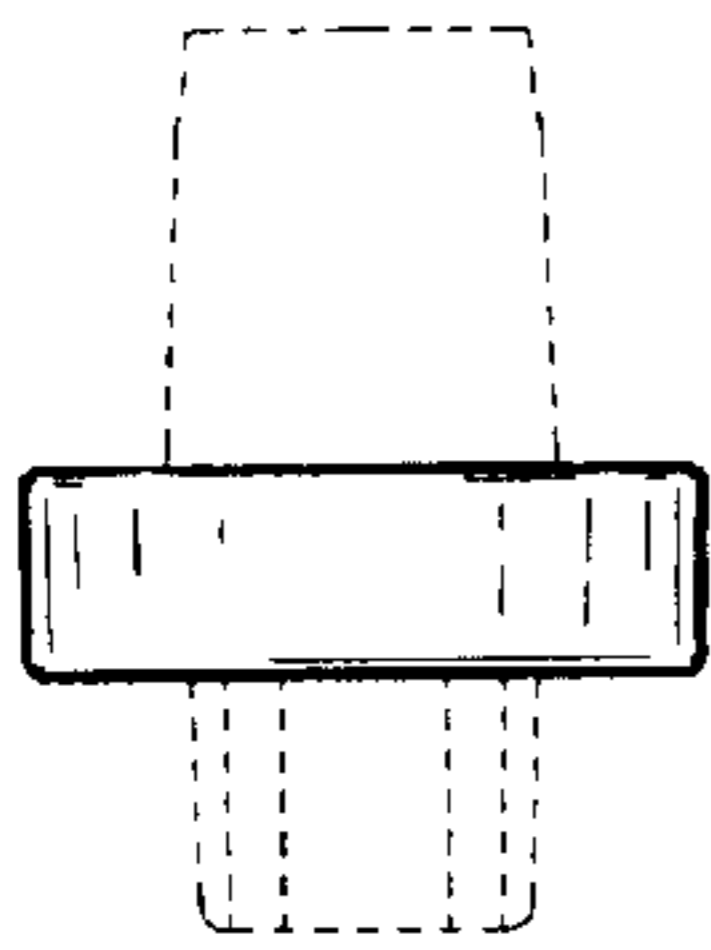


Fig.3

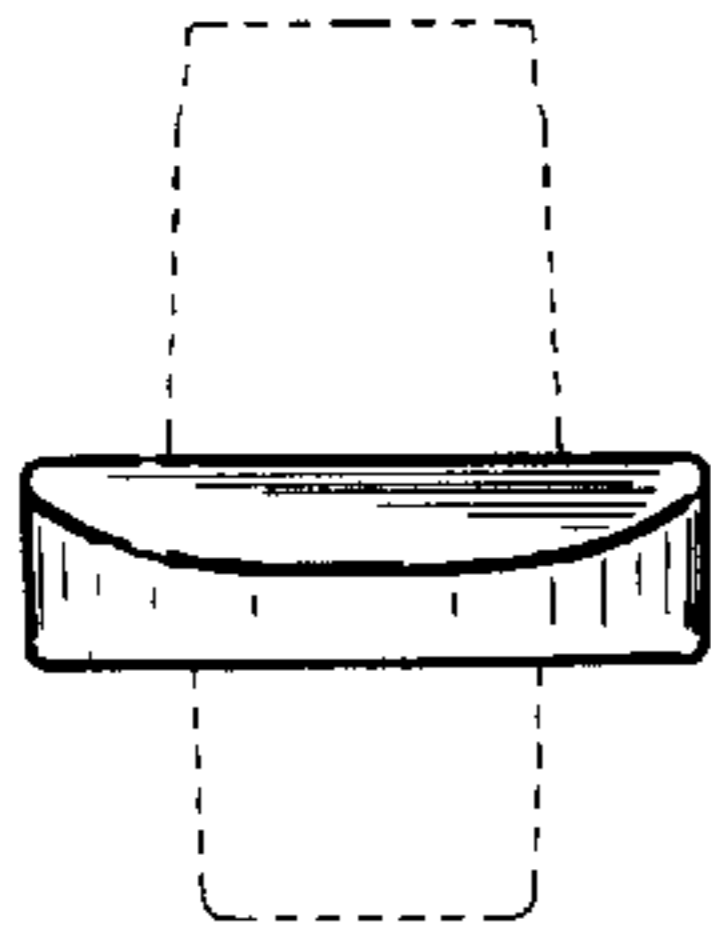


Fig.4

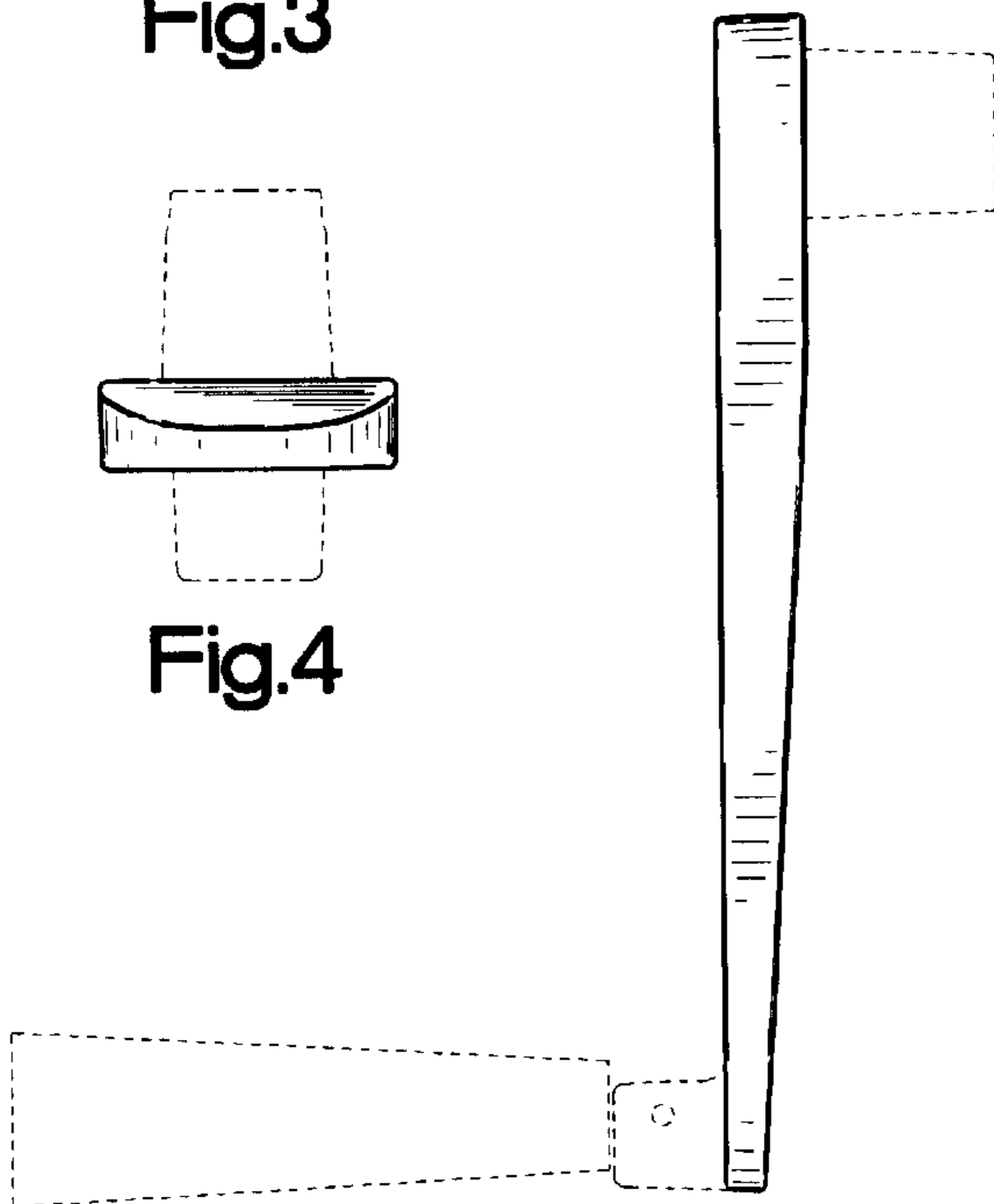


Fig.5

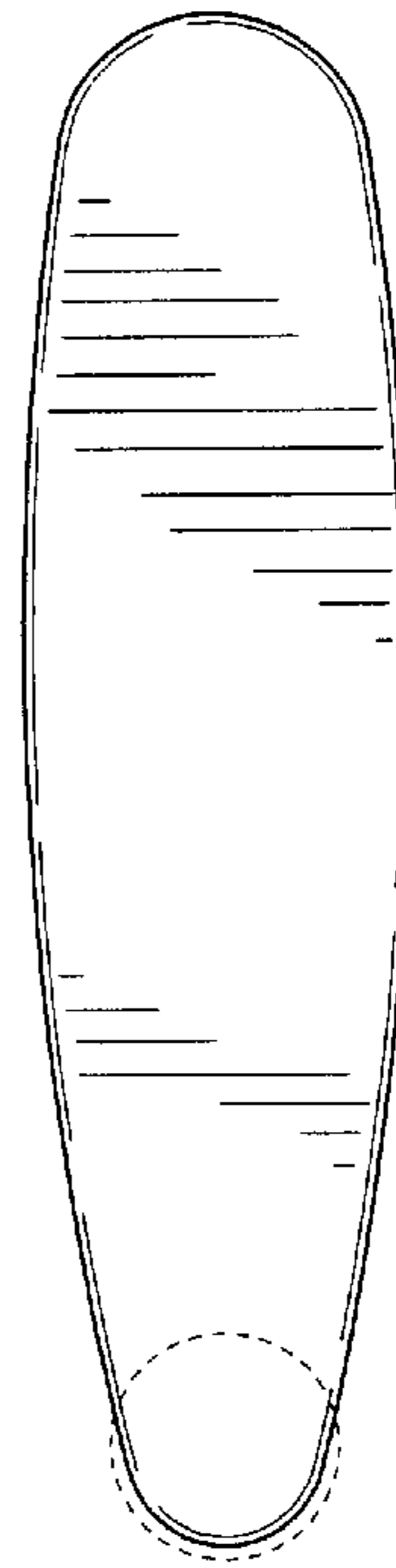


Fig.6

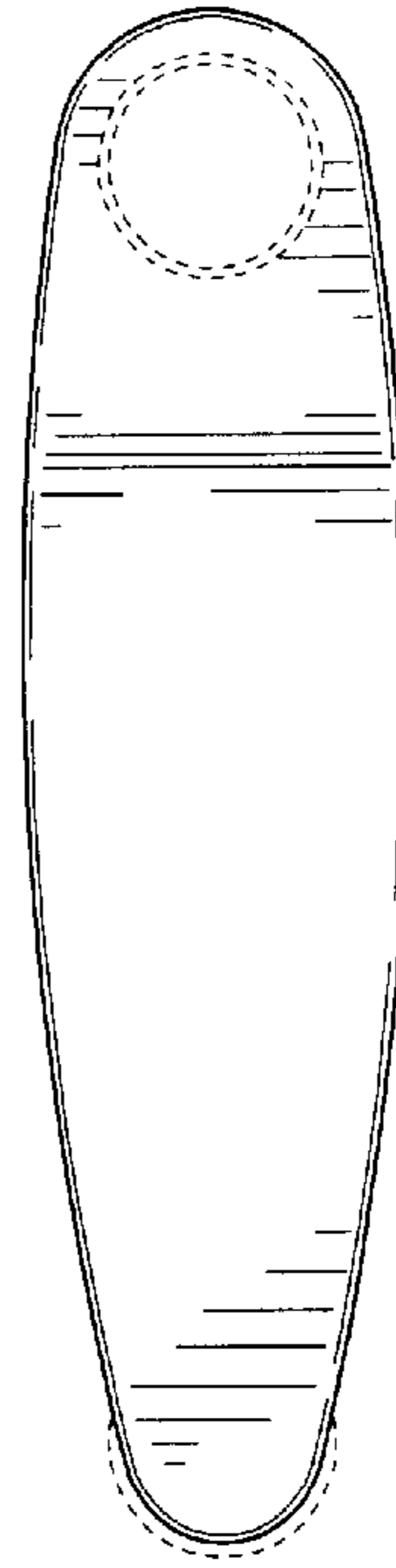


Fig.7