

US00D513161S

(12) **United States Design Patent**  
**Chilton**

(10) **Patent No.: US D513,161 S**

(45) **Date of Patent: \*\* Dec. 27, 2005**

(54) **DUST COLLECTOR FOR POWER TOOL**

(76) **Inventor: Douglas L. Chilton**, 2004 Ranch House Rd., Willow Park, TX (US) 76087

(\*\*) **Term: 14 Years**

(21) **Appl. No.: 29/209,056**

(22) **Filed: Jul. 9, 2004**

(51) **LOC (6) Cl. .... 08-05**

(52) **U.S. Cl. .... D8/70**

(58) **Field of Search** ..... D8/61, 62, 63, D8/64, 65, 66, 67, 68, 69, 70; D15/138, 139, 140; 30/123, 124, 390, 475; 173/75; 451/164, 344, 351, 353, 356, 357, 359, 442, 453, 456; 408/67, 241 S

(56) **References Cited**

**U.S. PATENT DOCUMENTS**

1,977,088	A	*	10/1934	Richardson	.....	451/456
3,525,183	A	*	8/1970	Gargrave	.....	451/453
3,850,254	A	*	11/1974	Hirdes	.....	173/75
3,882,644	A	*	5/1975	Cusumano	.....	451/456
4,090,297	A	*	5/1978	Wanner et al.	.....	30/124
4,209,069	A	*	6/1980	Smith	.....	408/67
4,281,457	A	*	8/1981	Walton, II	.....	30/124
4,361,957	A	*	12/1982	Krotz et al.	.....	30/124
4,598,500	A	*	7/1986	Faraudo et al.	.....	451/356
4,621,462	A	*	11/1986	Hinshaw	.....	451/456
4,932,163	A	*	6/1990	Chilton et al.	.....	451/456
5,033,917	A	*	7/1991	McGlasson et al.	.....	408/67
5,034,041	A	*	7/1991	Austin	.....	408/67
5,090,499	A	*	2/1992	Cuneo	.....	173/75
5,199,501	A	*	4/1993	Kluber et al.	.....	173/75
D342,431	S	*	12/1993	Swigonski	.....	D8/70
5,411,433	A	*	5/1995	Keller	.....	451/453
D376,526	S	*	12/1996	Hepburn	.....	D8/70

D392,531	S	*	3/1998	Richardson	.....	D8/70
D407,617	S	*	4/1999	Cooper et al.	.....	D8/70
6,318,352	B1	*	11/2001	Gnazzo et al.	.....	30/124
6,802,766	B2	*	10/2004	Liu	.....	451/356
6,854,937	B1	*	2/2005	Weiss	.....	408/67
6,857,191	B2	*	2/2005	Whited	.....	30/389
2004/0088864	A1	*	5/2004	Whited	.....	30/123
2005/0037699	A1	*	2/2005	Park	.....	451/344

\* cited by examiner

*Primary Examiner*—Gary D. Watson

*Assistant Examiner*—T. Chase Nelson

(74) *Attorney, Agent, or Firm*—Bracewell & Giuliani LLP

(57) **CLAIM**

The ornamental design for a dust collector for power tool, as shown and described.

**DESCRIPTION**

FIG. 1 is a perspective view of a dust collector for power tool embodying my new design, with a handheld power tool being shown in phantom lines, which are understood to form no part of the claimed design.

FIG. 2 is a front view of the dust collector for power tool of FIG. 1.

FIG. 3 is a rear view of the dust collector for power tool of FIG. 1.

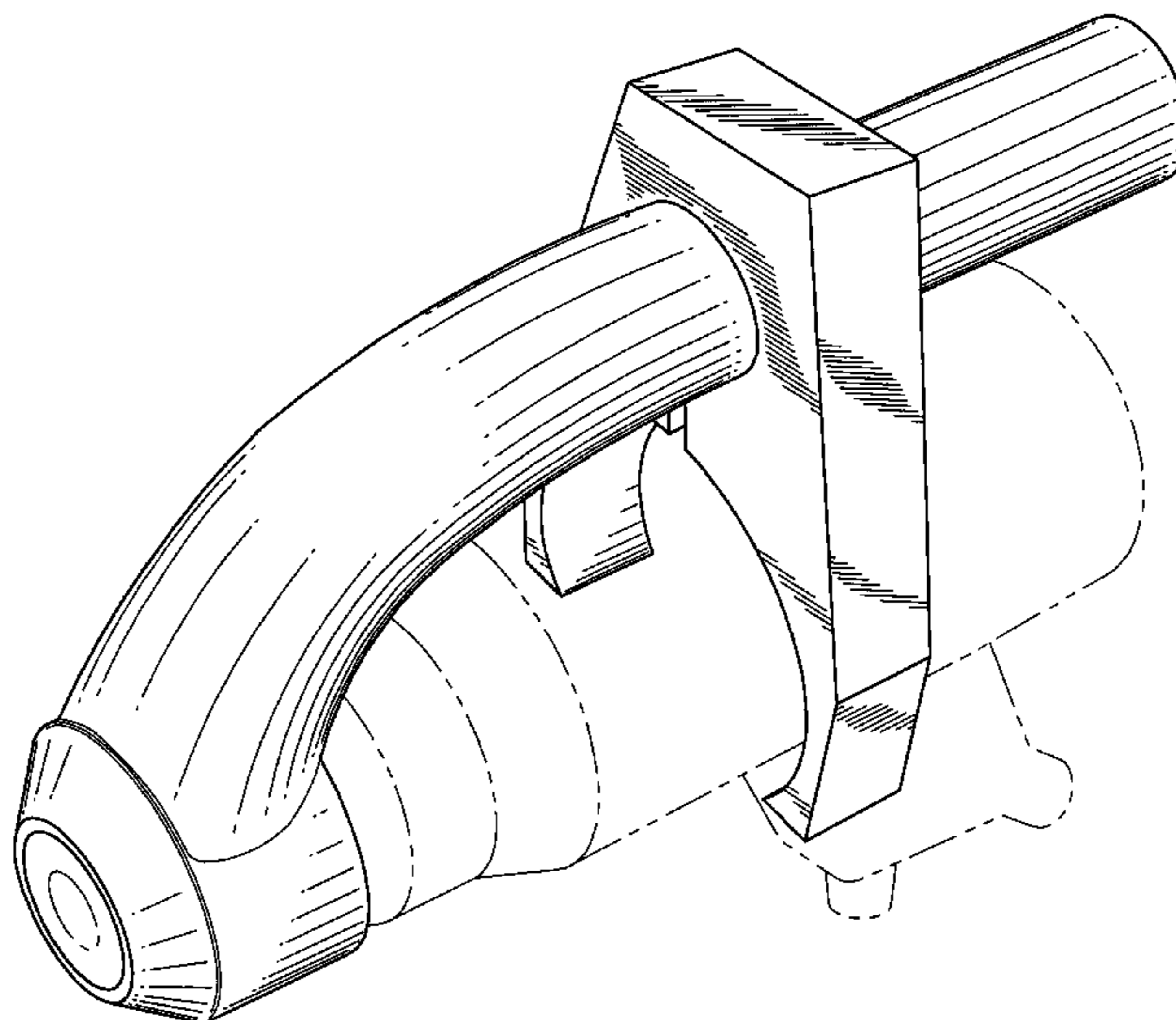
FIG. 4 is a top view of the dust collector for power tool of FIG. 1.

FIG. 5 is a bottom view of the dust collector for power tool of FIG. 1.

FIG. 6 is a side view of the dust collector for power tool of FIG. 1, as seen from the left side in FIG. 1; and,

FIG. 7 is a side view of the dust collector for power tool of FIG. 1, as seen from the right side of FIG. 1.

**1 Claim, 5 Drawing Sheets**



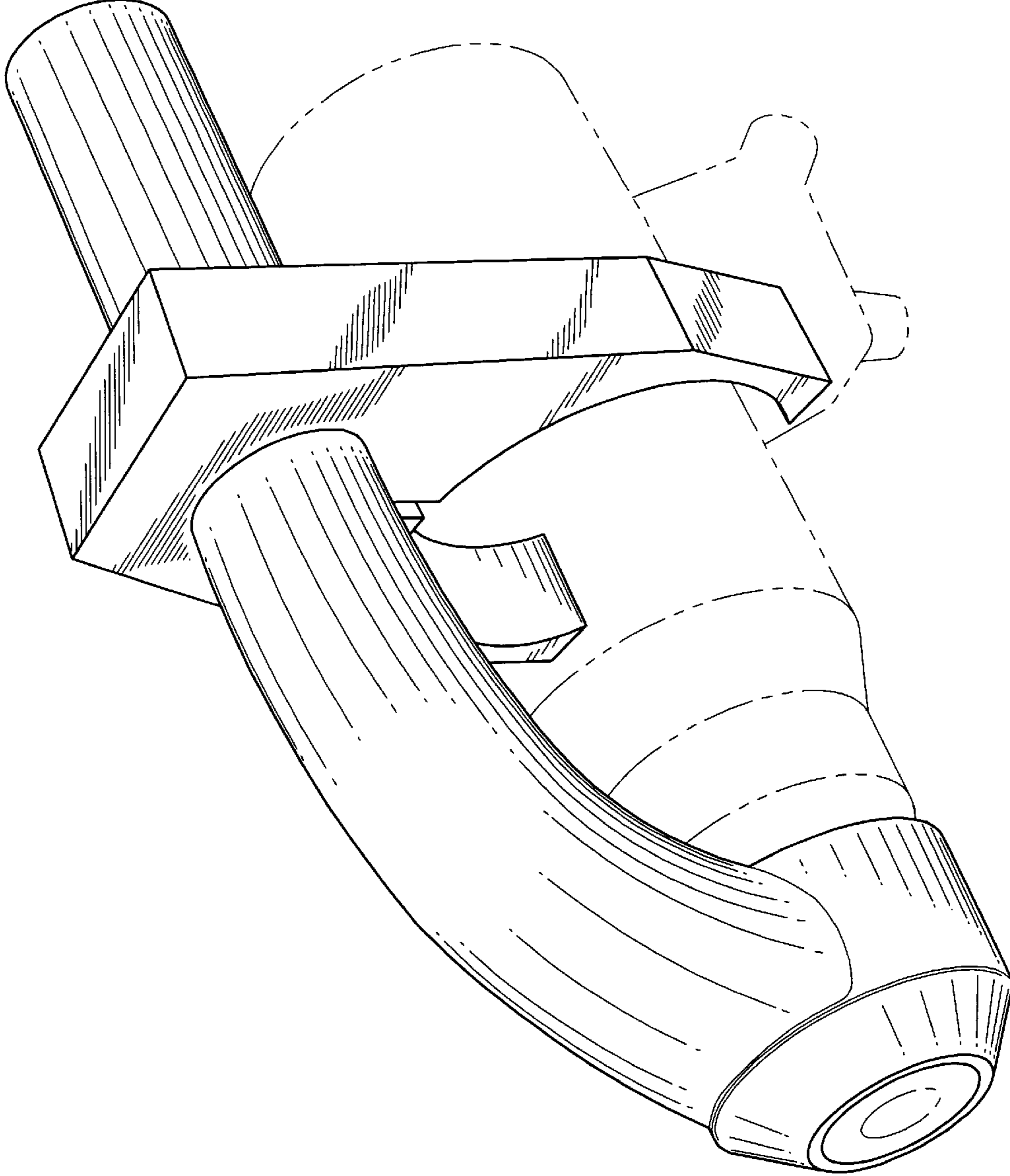


Fig. 1

Fig. 3

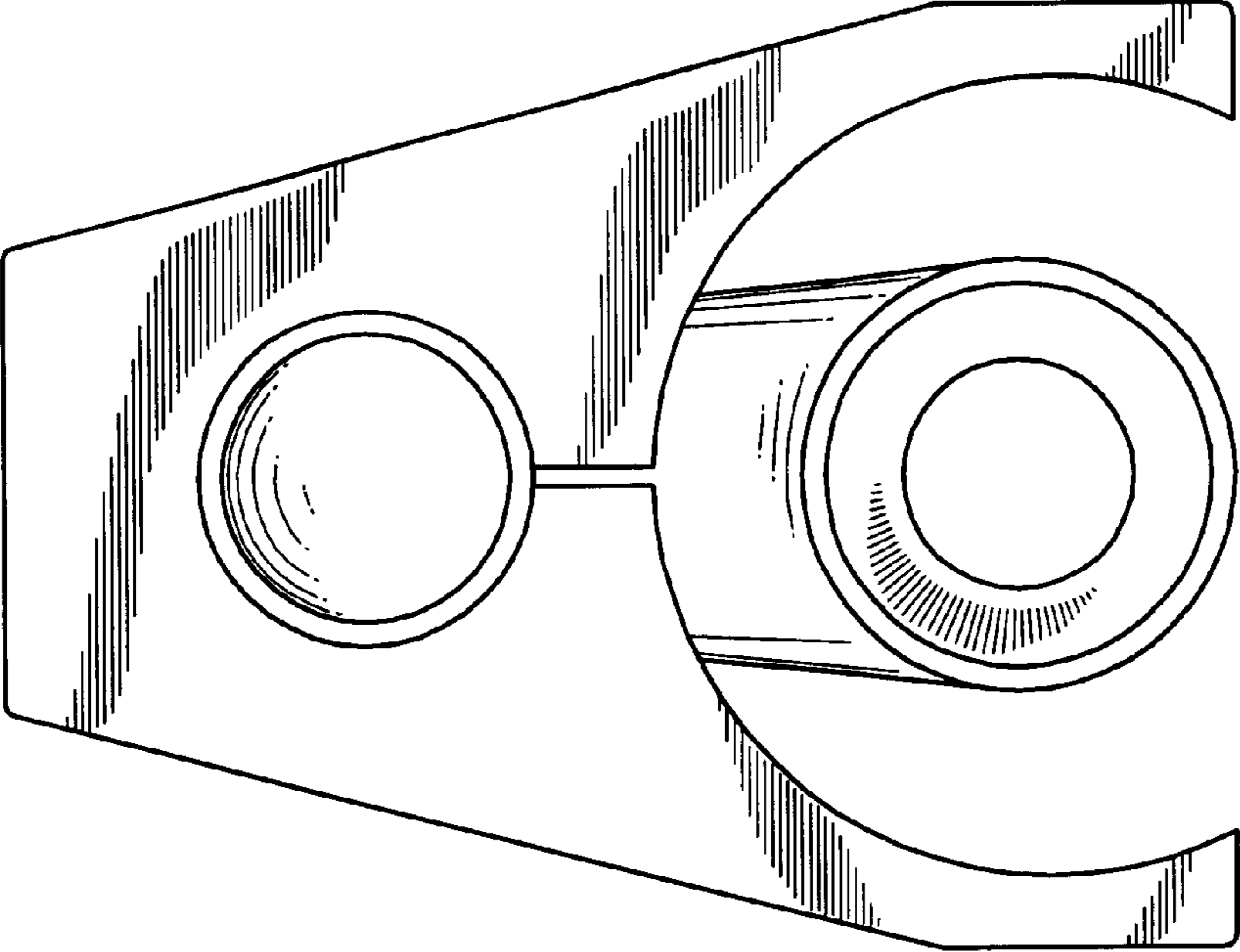
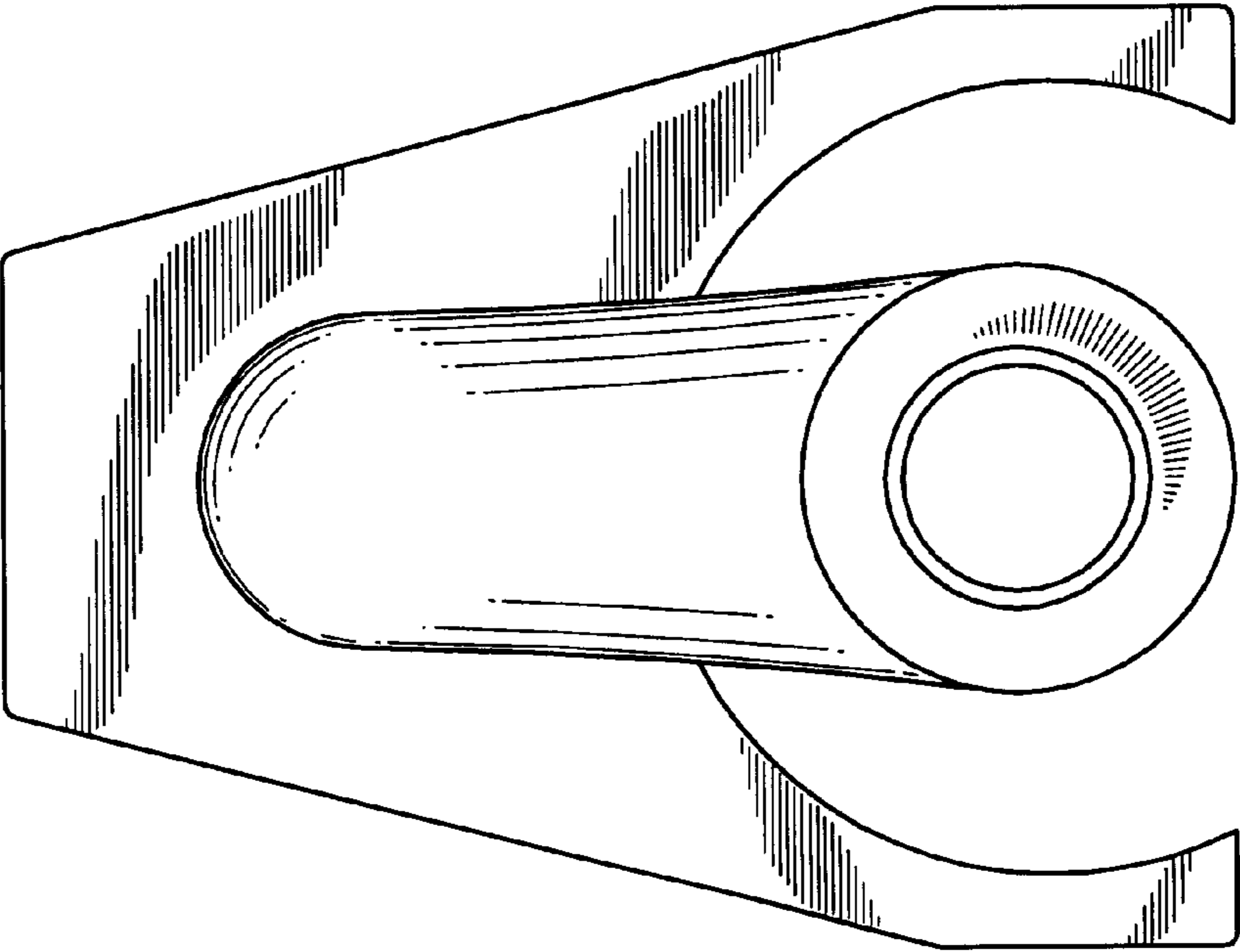


Fig. 2



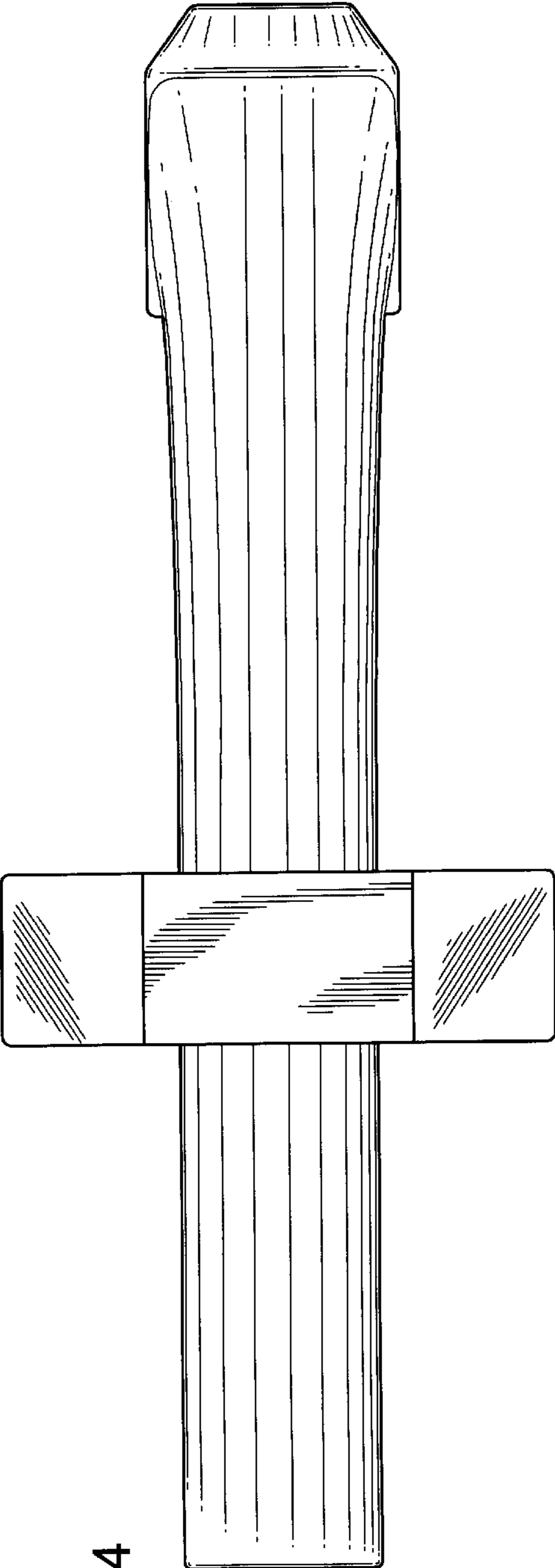


Fig. 4

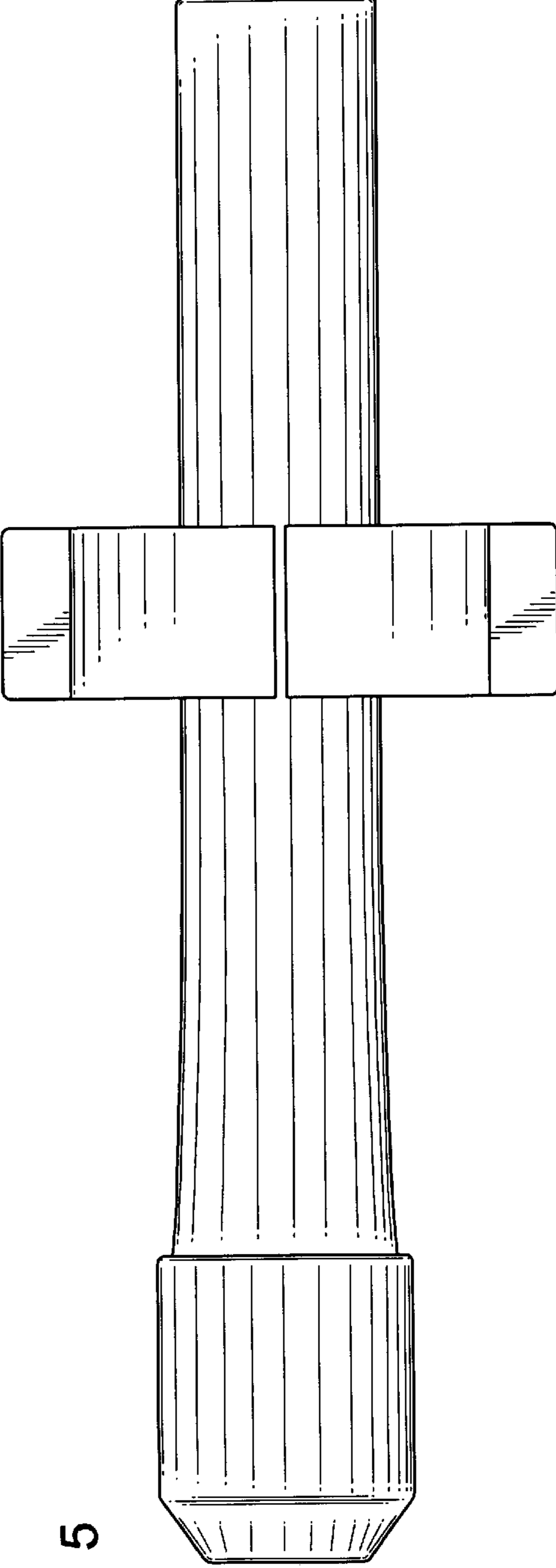


Fig. 5

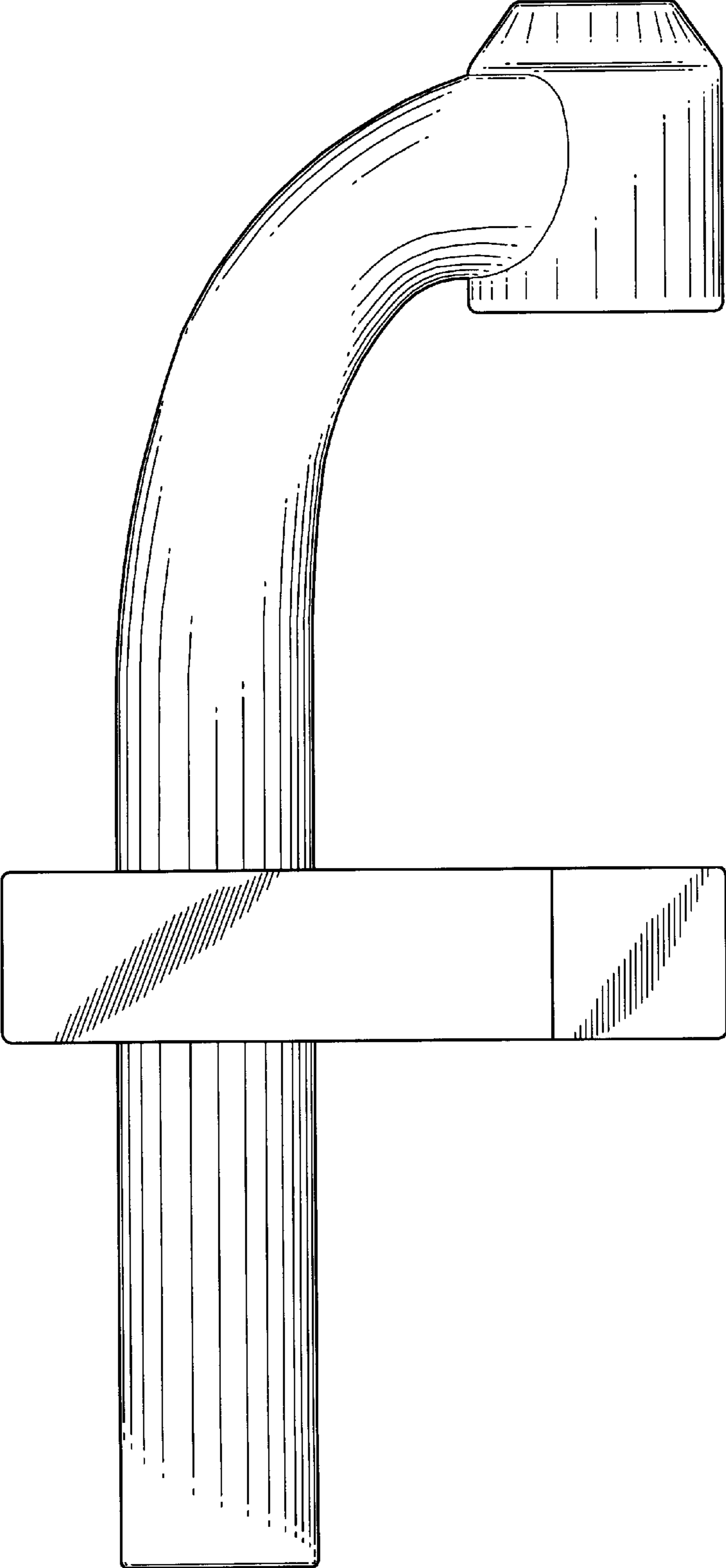


Fig. 6



Fig. 7

