



US00D513156S

(12) **United States Design Patent**
Wright

(10) **Patent No.: US D513,156 S**
(45) **Date of Patent: ** Dec. 27, 2005**

(54) **GARLIC PRESS**

Primary Examiner—Terry A. Wallace

(75) Inventor: **Matthew Wright, Kentford (GB)**

(57) **CLAIM**

(73) Assignee: **Meyer Intellectual Properties Ltd.,
Hong Kong (CN)**

The ornamental design for a garlic press, as shown and described.

(**) Term: **14 Years**

DESCRIPTION

(21) Appl. No.: **29/215,717**

(22) Filed: **Oct. 22, 2004**

(30) **Foreign Application Priority Data**

Apr. 23, 2004 (GB) 3017054

(51) **LOC (6) Cl. 07-04**

(52) **U.S. Cl. D7/666**

(58) **Field of Search** D7/665, 666, 680;
99/495, 506-511; 100/99, 112, 116, 125,
234, 243; 241/168, 169.1, 169.2, 273.3

FIG. 1 is a perspective view from the front of the “garlic press” in the closed position showing my new design;
FIG. 2 is a left side elevation of the “garlic press” of FIG. 1 in the closed position;
FIG. 3 is a right side elevation of the “garlic press” of FIG. 1 in the closed position;
FIG. 4 is a back elevation view of the “garlic press” of FIG. 1 in the closed position;
FIG. 5 is a front elevation view of the “garlic press” of FIG. 1 in the closed position;
FIG. 6 is a plan view of the “garlic press” of FIG. 1 from above;
FIG. 7 is a plan view of the “garlic press” of FIG. 1 from below;
FIG. 8 is a left side front elevation view of the “garlic press” of FIG. 1 in the open position; and,
FIG. 9 is an exploded perspective from the back of the “garlic press ” of FIG. 1.

(56) **References Cited**

U.S. PATENT DOCUMENTS

- 2,776,616 A * 1/1957 Sarossy 100/234
- 3,580,168 A * 5/1971 Zysset 100/234
- D436,807 S * 1/2001 Chiu D7/666
- D448,979 S * 10/2001 Huang D7/666
- 6,505,548 B1 * 1/2003 Lillelund et al. 99/510

* cited by examiner

1 Claim, 8 Drawing Sheets

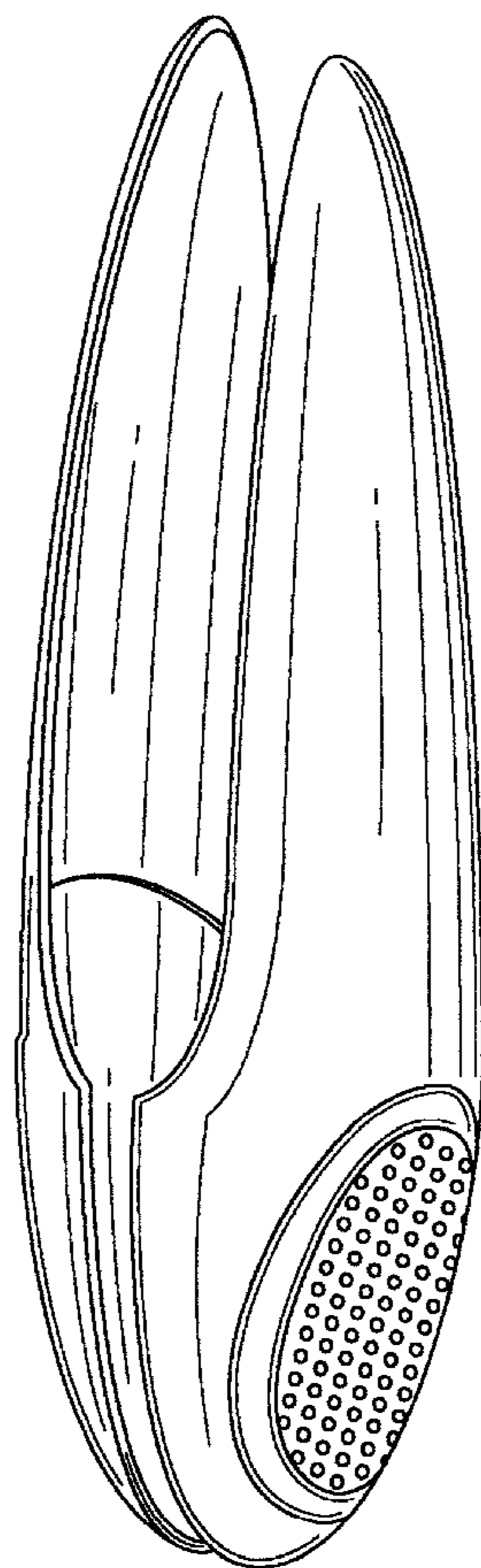




FIG. 1

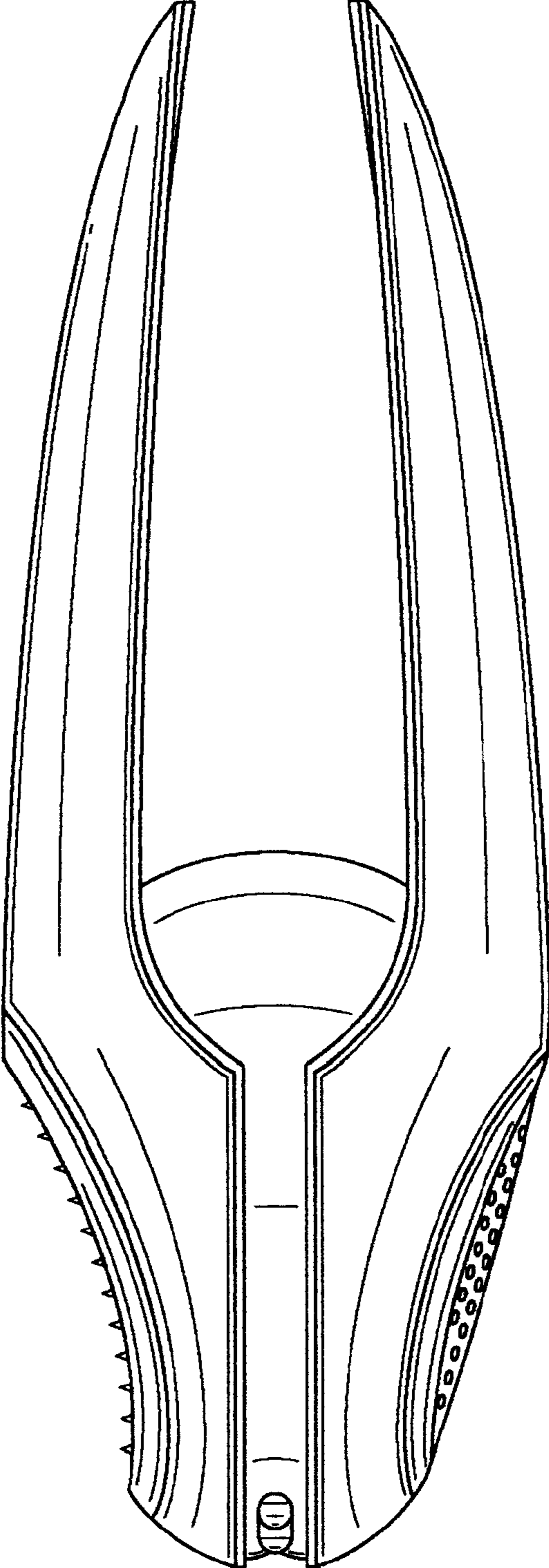


FIG. 2

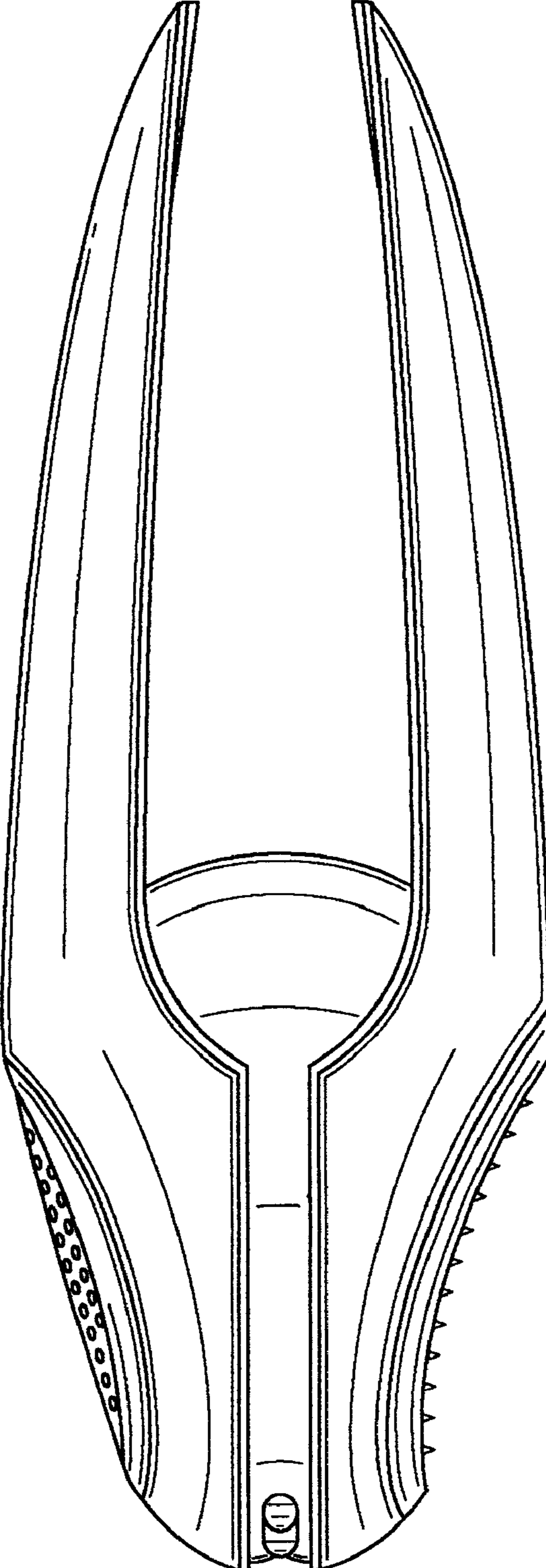


FIG. 3

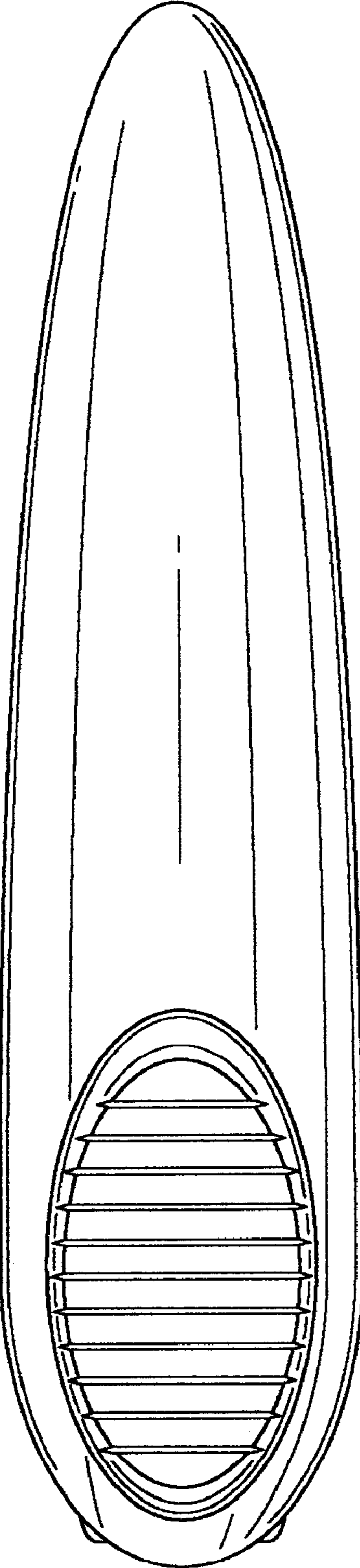


FIG. 4

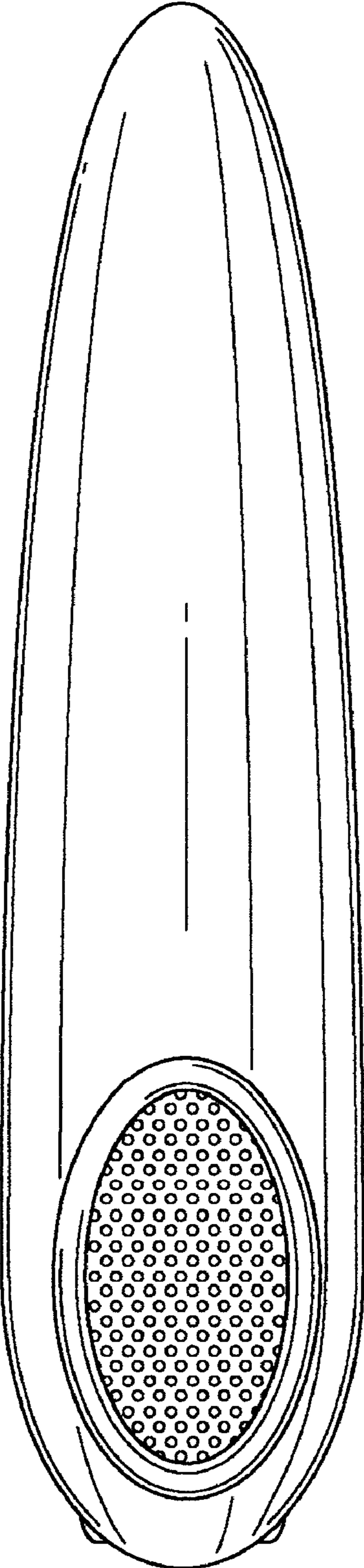


FIG. 5

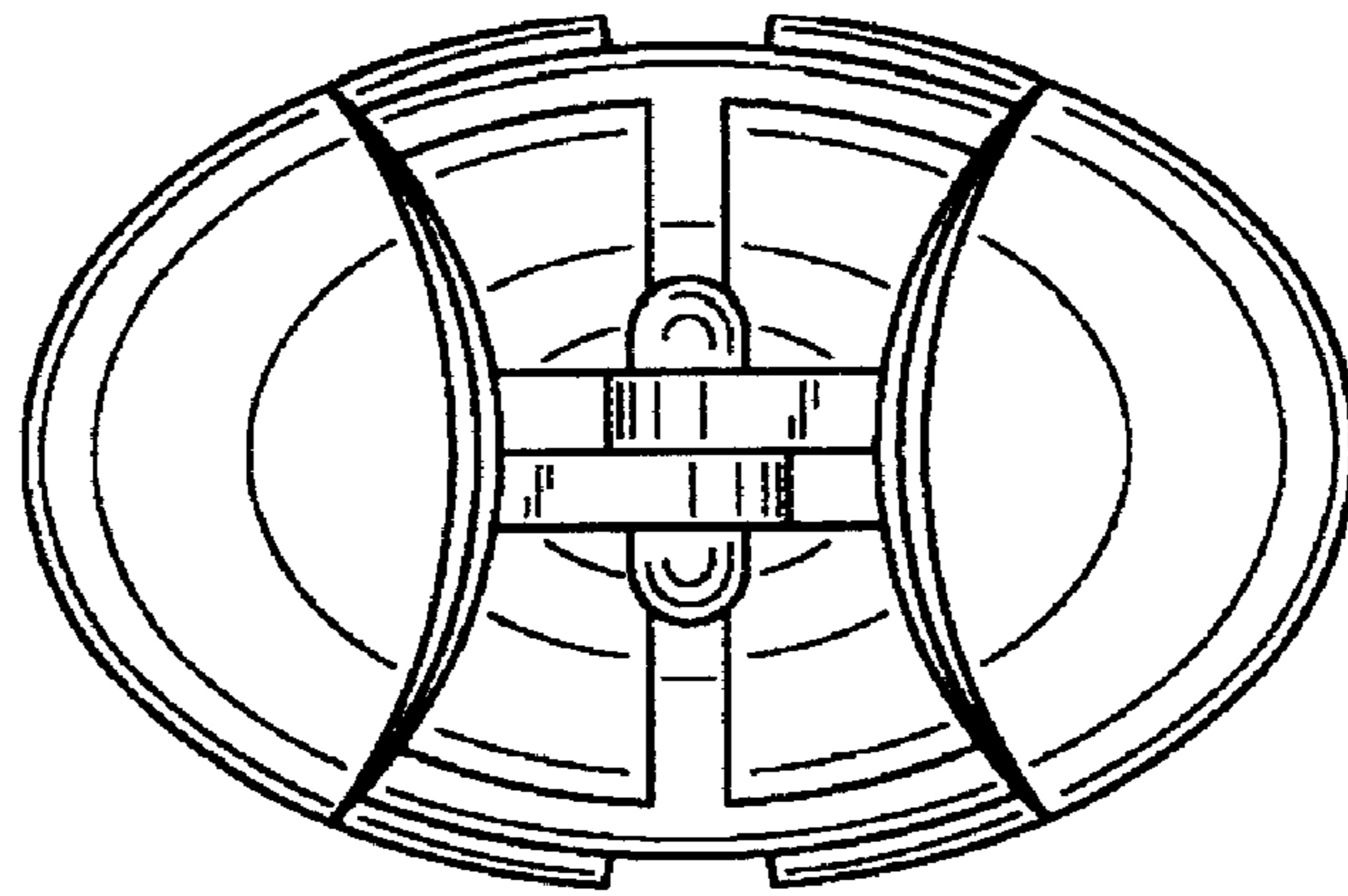


FIG. 6

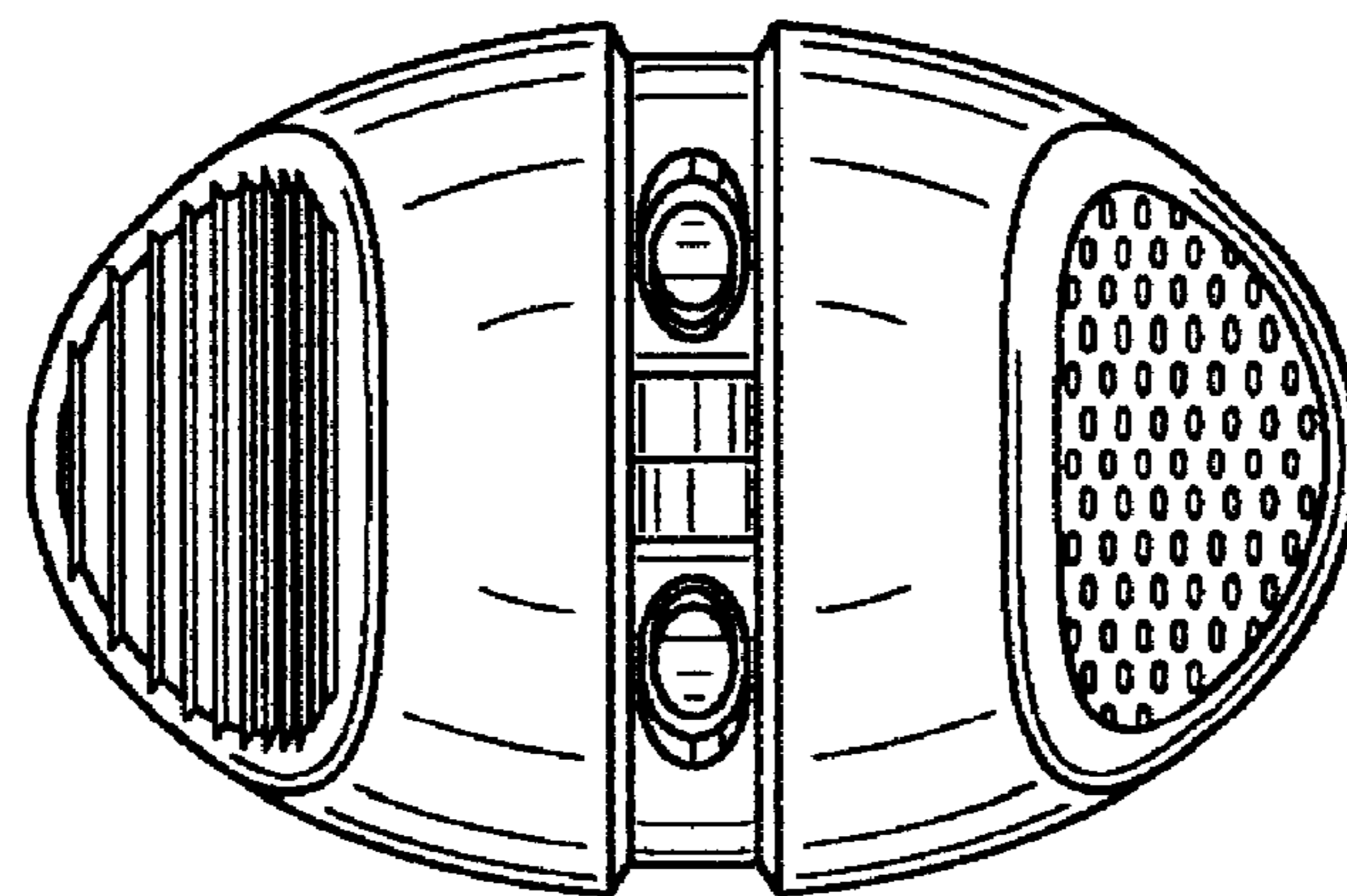


FIG. 7

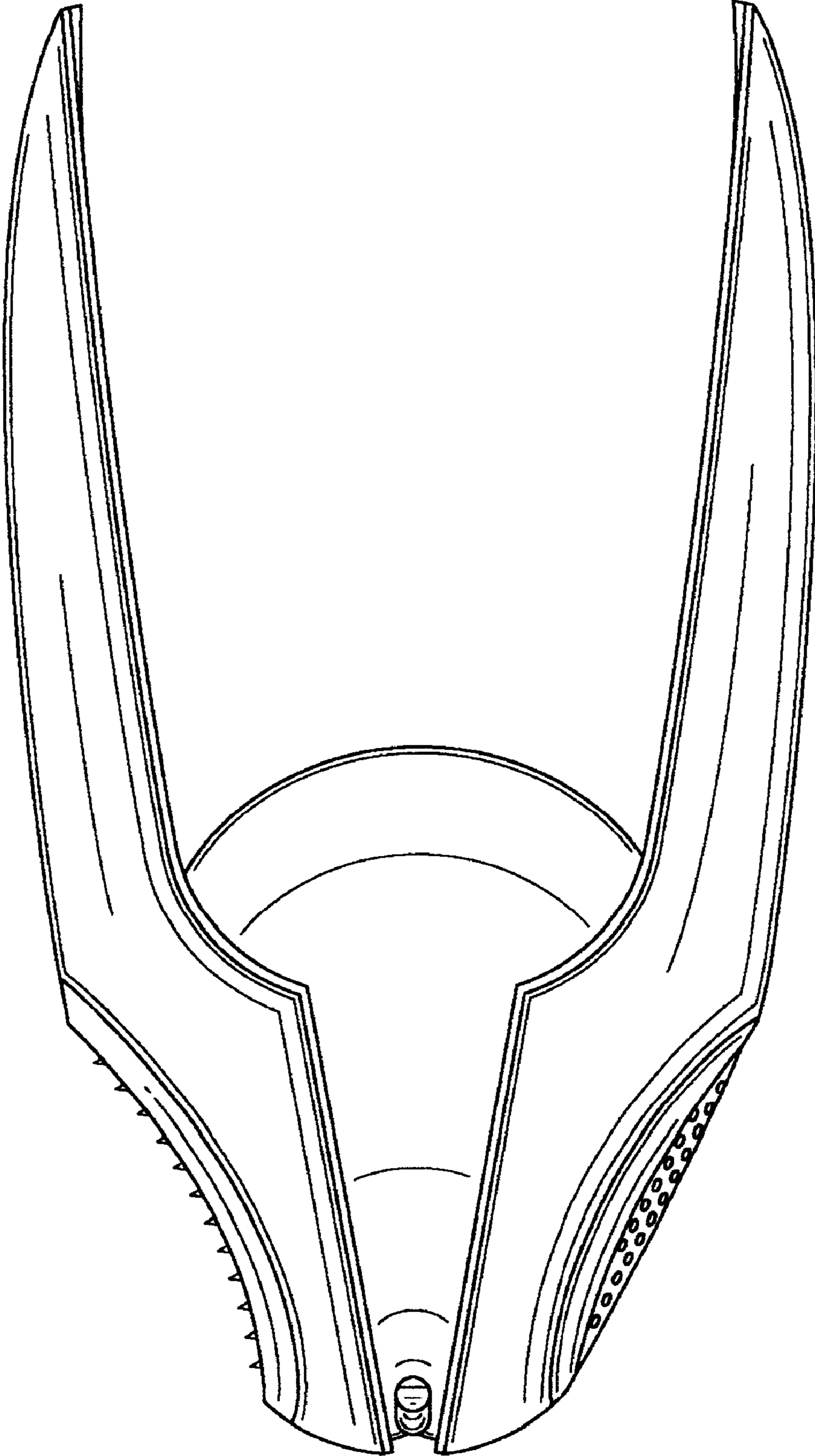


FIG. 8

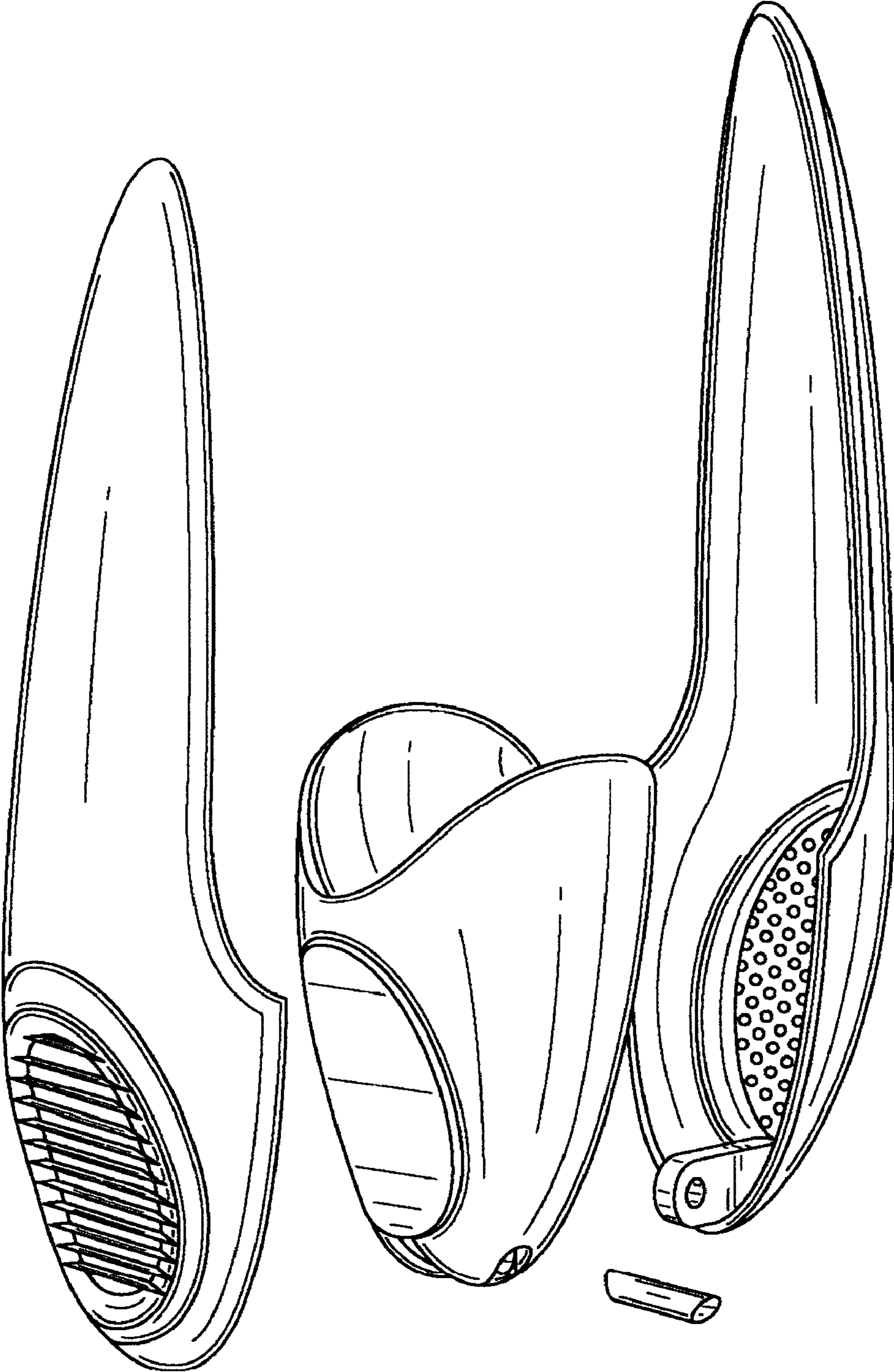


FIG. 9