



US00D513155S

(12) **United States Design Patent** (10) **Patent No.:** **US D513,155 S**
Schrader et al. (45) **Date of Patent:** **** Dec. 27, 2005**

(54) **JUICE EXTRACTOR DESIGN**

(75) Inventors: **Gregory W. Schrader**, Lakeland, FL (US); **Michael L. Suter**, Lakeland, FL (US); **Jose Marcelo Carvalho**, Araraquara (BR); **Jose Luiz Comanini**, Araraquara (BR); **Francisco Celso Brocchetto**, Lakeland, FL (US); **Luiz Fernando da Cruz Baptista**, Araraquara (BR); **Antonio Carlos Cunha**, Araraquara (BR); **Gilmar da Silva Sena**, Araraquara (BR); **Kevin G. Socha**, Tampa, FL (US)

(73) Assignee: **FMC Technologies, Inc.**, Chicago, IL (US)

(**) Term: **14 Years**

(21) Appl. No.: **29/211,597**

(22) Filed: **Aug. 18, 2004**

(51) **LOC (6) Cl.** **31-00**

(52) **U.S. Cl.** **D7/665**

(58) **Field of Search** D7/665, 666, 300, D7/306; 99/495, 501-513; 100/37, 94-98 A, 108, 131, 104, 105, 213, 292, 295

(56) **References Cited**

U.S. PATENT DOCUMENTS

2,300,494 A	11/1942	Fothergill	146/3
2,649,730 A	8/1953	Hait	100/37
2,780,988 A	2/1957	Belk et al.	100/37
3,040,864 A	6/1962	Belk	198/25
3,086,455 A	4/1963	Belk	100/131
3,123,114 A	3/1964	Andrews et al.	146/3
3,367,473 A	2/1968	Kingsbury	198/30
3,499,519 A	3/1970	Belk et al.	198/30
3,717,084 A	2/1973	Robbins et al.	146/3 R
3,736,865 A	6/1973	Hait	100/98 R
3,960,456 A	6/1976	Norris	403/27

(Continued)

OTHER PUBLICATIONS

"The FMC Whole Citrus Juice Extractor," American Society of Mechanical Engineers, Mar. 24, 1983, 6 pages.
Delavan Spray Technologies, Website Publication, Type EF Spray Nozzles, Aug. 17, 2004, 4 pages.
Ringfeder Keyless Shaft/Hub Connections, Catalog W-300-2, Ringfeder Corporation, Nov. 2001, pp. 1-44.

Primary Examiner—Terry A. Wallace

(74) *Attorney, Agent, or Firm*—Allen, Dyer, Doppelt, Milbrath & Gilchrist, P.A.

(57) **CLAIM**

The ornamental design for a juice extractor design, as shown and described.

DESCRIPTION

FIG. 1 is a front perspective view showing our new design with broken lines being for illustrative purposes and forming no part of the claimed design;

FIG. 2 is a rear perspective view showing our new design with broken lines being for illustrative purposes and forming no part of the claimed design;

FIG. 3 is a top plan view showing our new design with broken lines being for illustrative purposes and forming no part of the claimed design;

FIG. 4 is a bottom plan view showing our new design with broken lines being for illustrative purposes and forming no part of the claimed design;

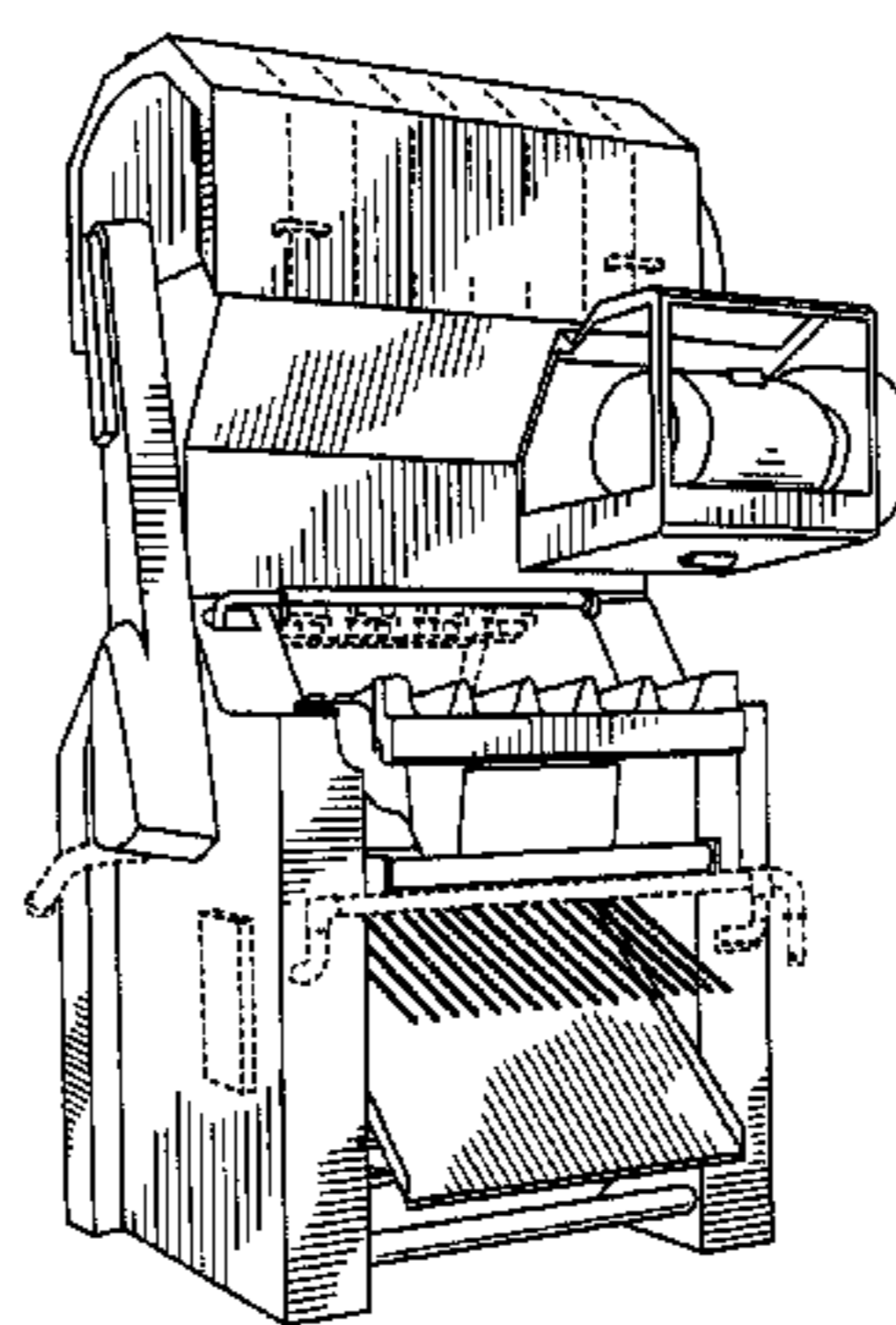
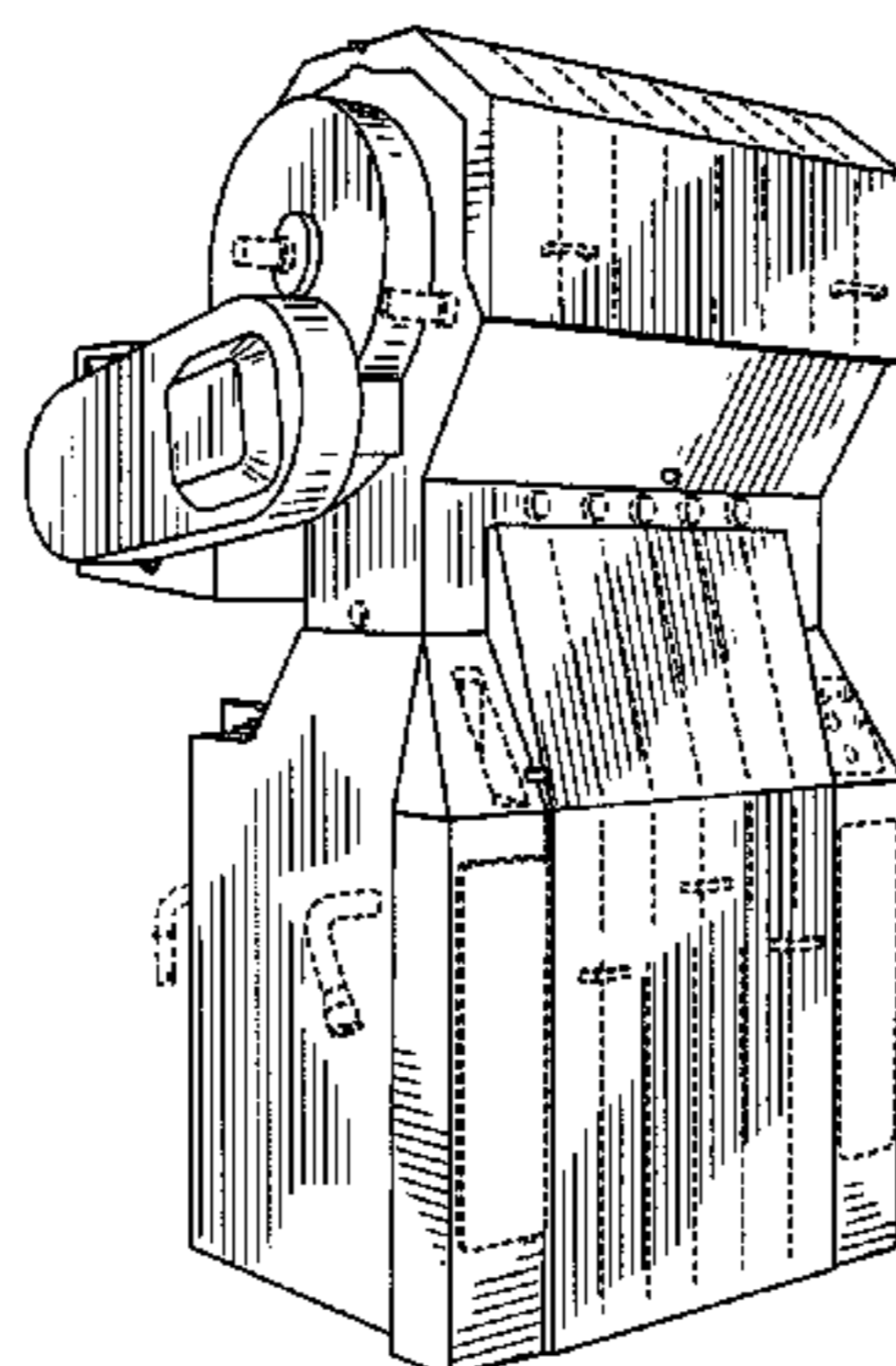
FIG. 5 is a rear elevational view showing our new design with broken lines being for illustrative purposes and forming no part of the claimed design;

FIG. 6 is a front elevational view showing our new design with broken lines being for illustrative purposes and forming no part of the claimed design;

FIG. 7 is a right side elevational view showing our new design with broken lines being for illustrative purposes and forming no part of the claimed design; and,

FIG. 8 is a left side elevational view showing our new design with broken lines being for illustrative purposes and forming no part of the claimed design.

1 Claim, 8 Drawing Sheets



US D513,155 S

Page 2

U.S. PATENT DOCUMENTS

4,132,358 A	1/1979	Keely	239/204	5,070,778 A	12/1991	Cross et al.	99/510
4,134,699 A	1/1979	Schafer et al.	403/13	5,097,757 A	3/1992	Antonio	99/510
4,154,163 A	5/1979	Niemann	100/98 R	5,199,348 A	4/1993	Cimenti	99/510
4,212,088 A	7/1980	Goetl et al.	4/490	5,339,729 A	8/1994	Anderson	99/509
4,300,449 A	11/1981	Segredo	100/98 R	5,386,765 A	2/1995	Oluszczak et al.	99/486
4,309,943 A	1/1982	Larsen et al.	99/509	5,480,252 A	1/1996	Poscich et al.	403/371
4,309,944 A	1/1982	Frost, Jr. et al.	100/104	5,483,870 A	1/1996	Anderson et al.	99/510
4,343,393 A	8/1982	Larsen	198/533	5,657,927 A	8/1997	Bushman et al.	239/240
4,376,409 A	3/1983	Belk	99/509	5,802,964 A	9/1998	Mendes	99/509
4,391,185 A	7/1983	Stanley	99/489	5,902,066 A	5/1999	Griffen et al.	403/374.3
D291,857 S *	9/1987	Nelson	D7/665	5,970,861 A	10/1999	Suter et al.	100/37
4,700,620 A	10/1987	Cross	99/510	5,992,311 A	11/1999	Suter et al.	100/37
4,705,055 A	11/1987	Rohm et al.	134/57 R	5,996,485 A	12/1999	Suter et al.	100/37
4,885,182 A	12/1989	Kolodesh et al.	426/482	6,234,071 B1	5/2001	Catarain Arregui	99/504
4,905,586 A	3/1990	Anderson et al.	99/510	6,247,397 B1	6/2001	Diotalevi	100/71
4,922,813 A	5/1990	Compri	99/510	6,289,800 B1	9/2001	Moody	100/118
4,924,770 A *	5/1990	Raub	99/511	6,293,189 B1 *	9/2001	Evans et al.	99/510
4,951,563 A	8/1990	Warren et al.	100/111	6,375,383 B1	4/2002	Ostling et al.	403/374.3
5,017,912 A	5/1991	Willis	340/679	6,568,319 B2	5/2003	Schrader et al.	100/108

* cited by examiner

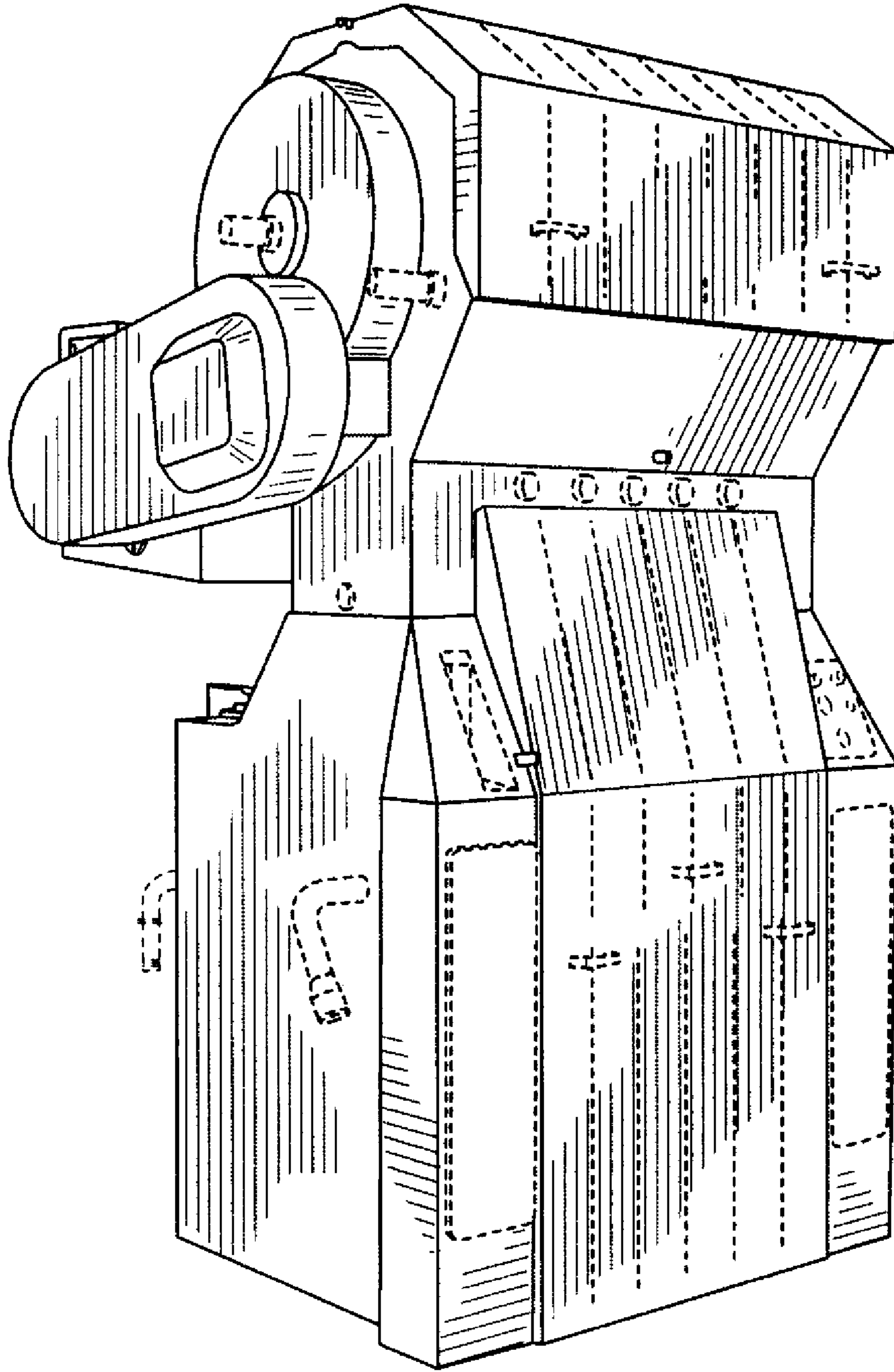


FIG. 1

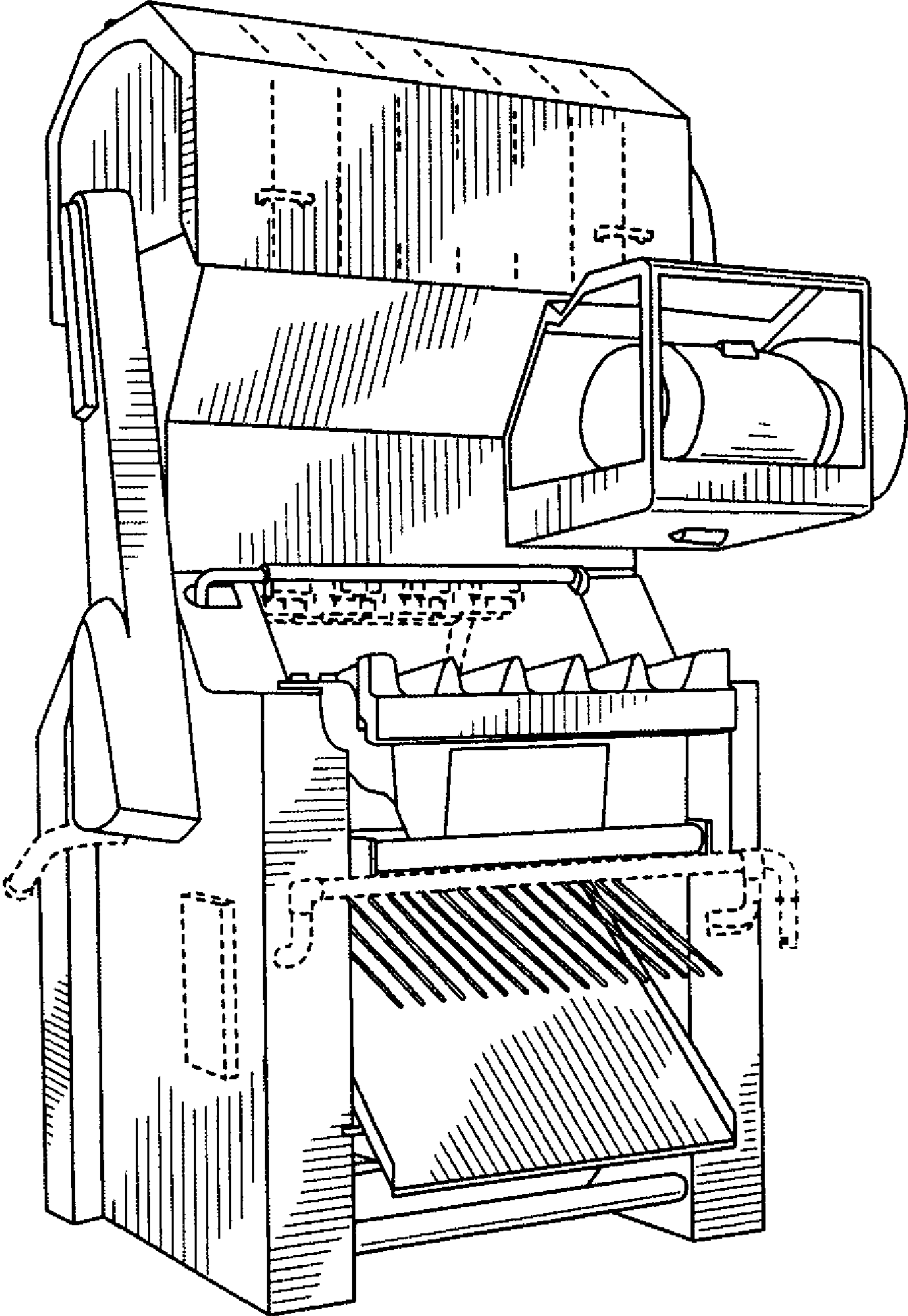


FIG. 2

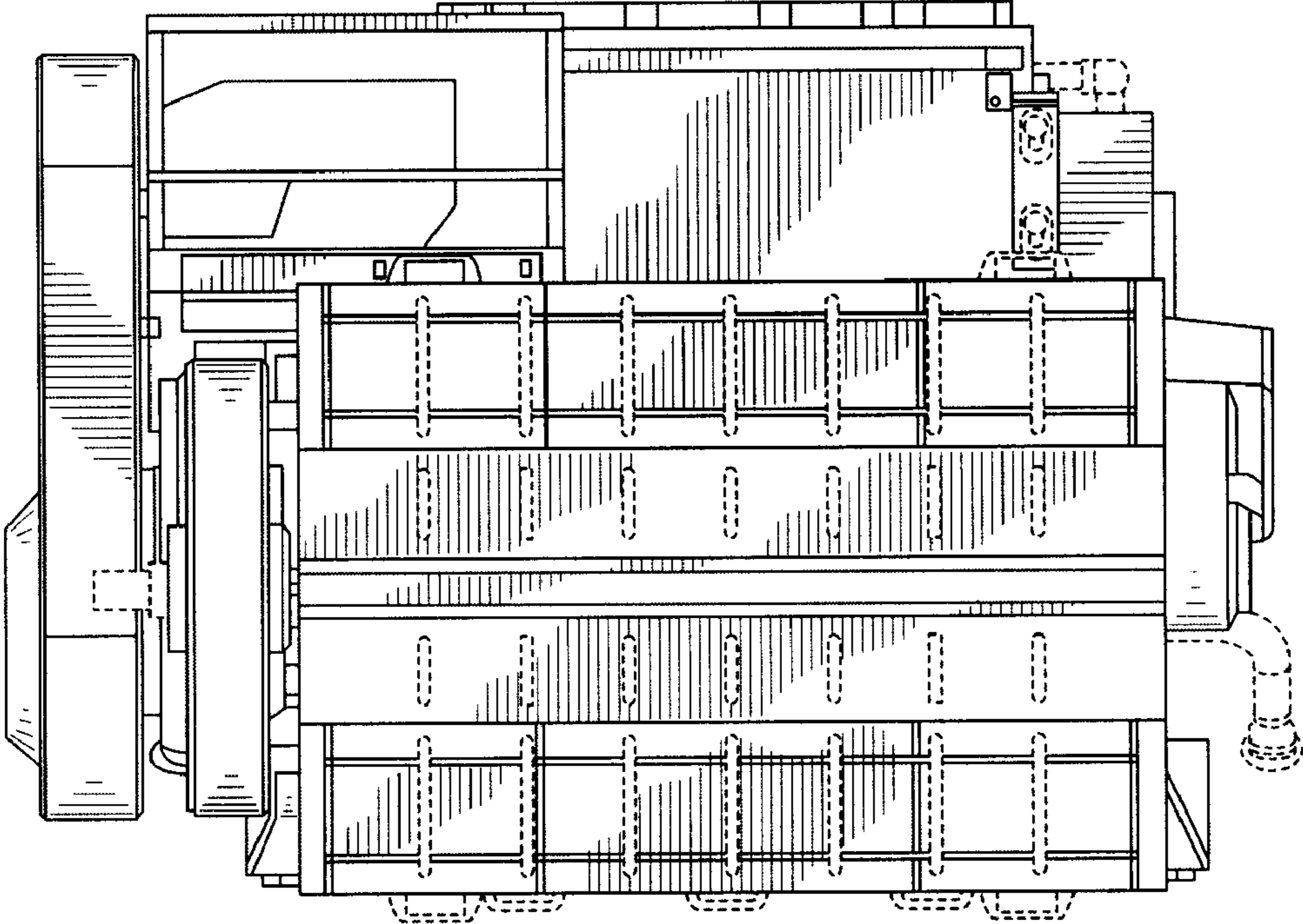


FIG. 3

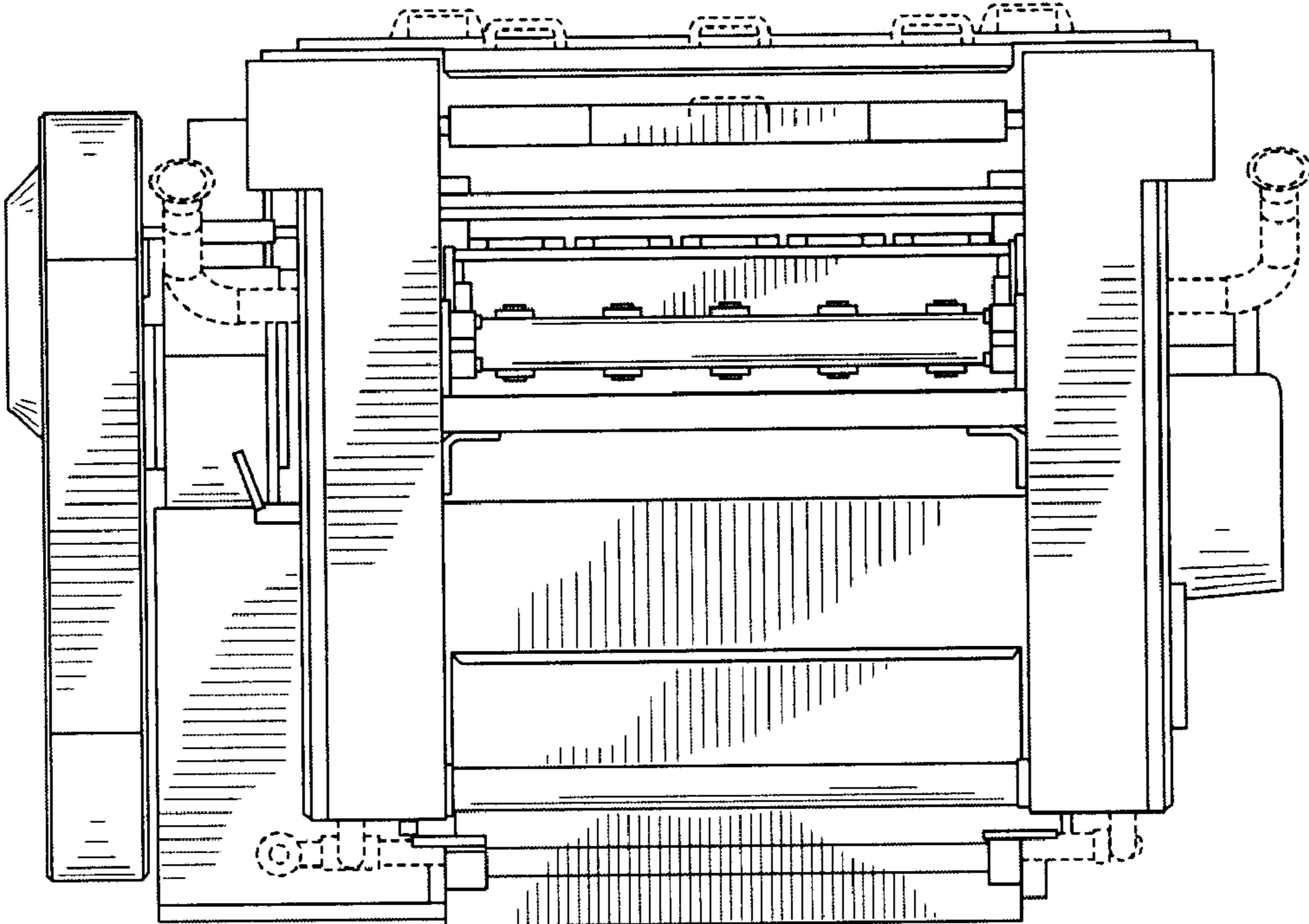


FIG. 4

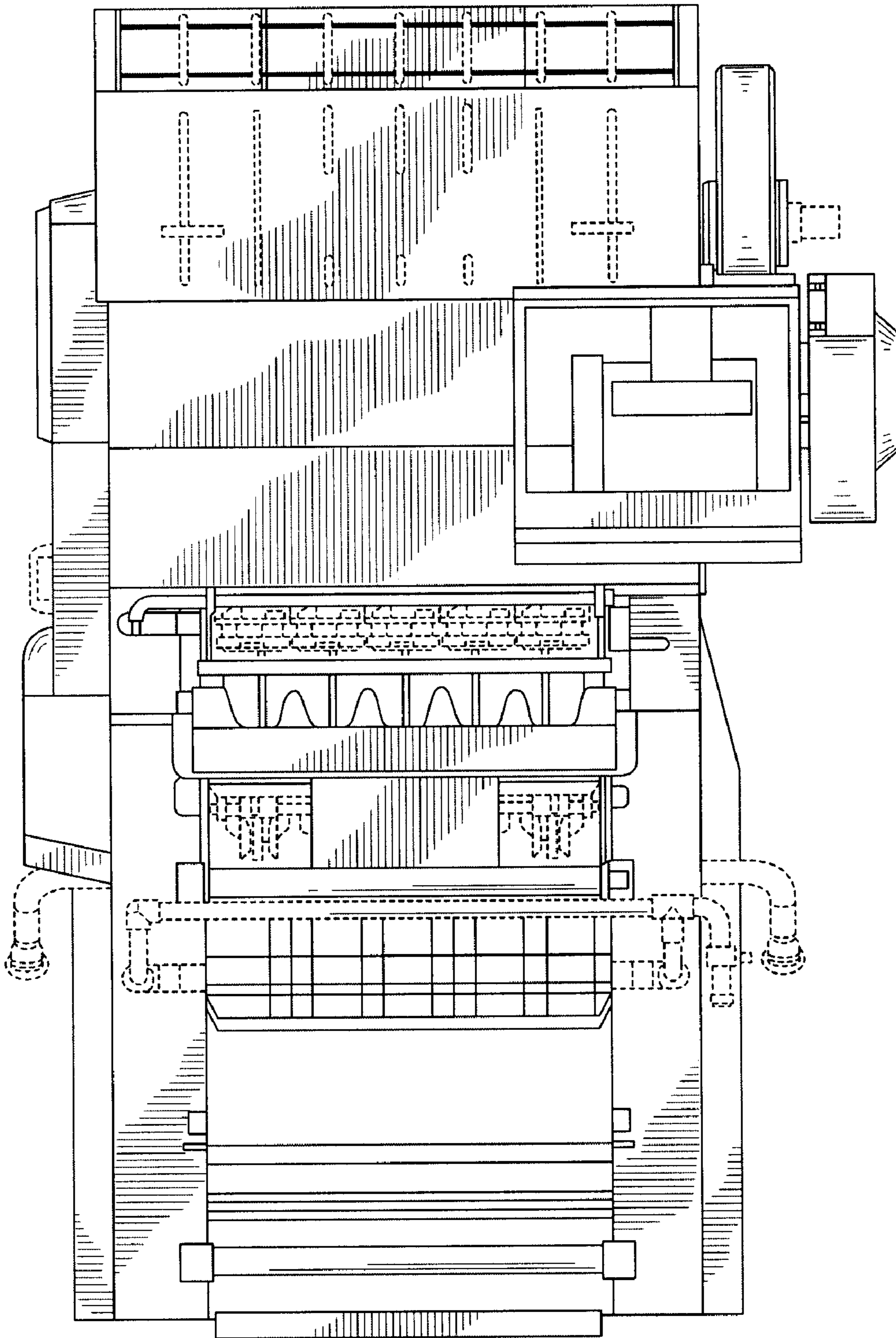


FIG. 5

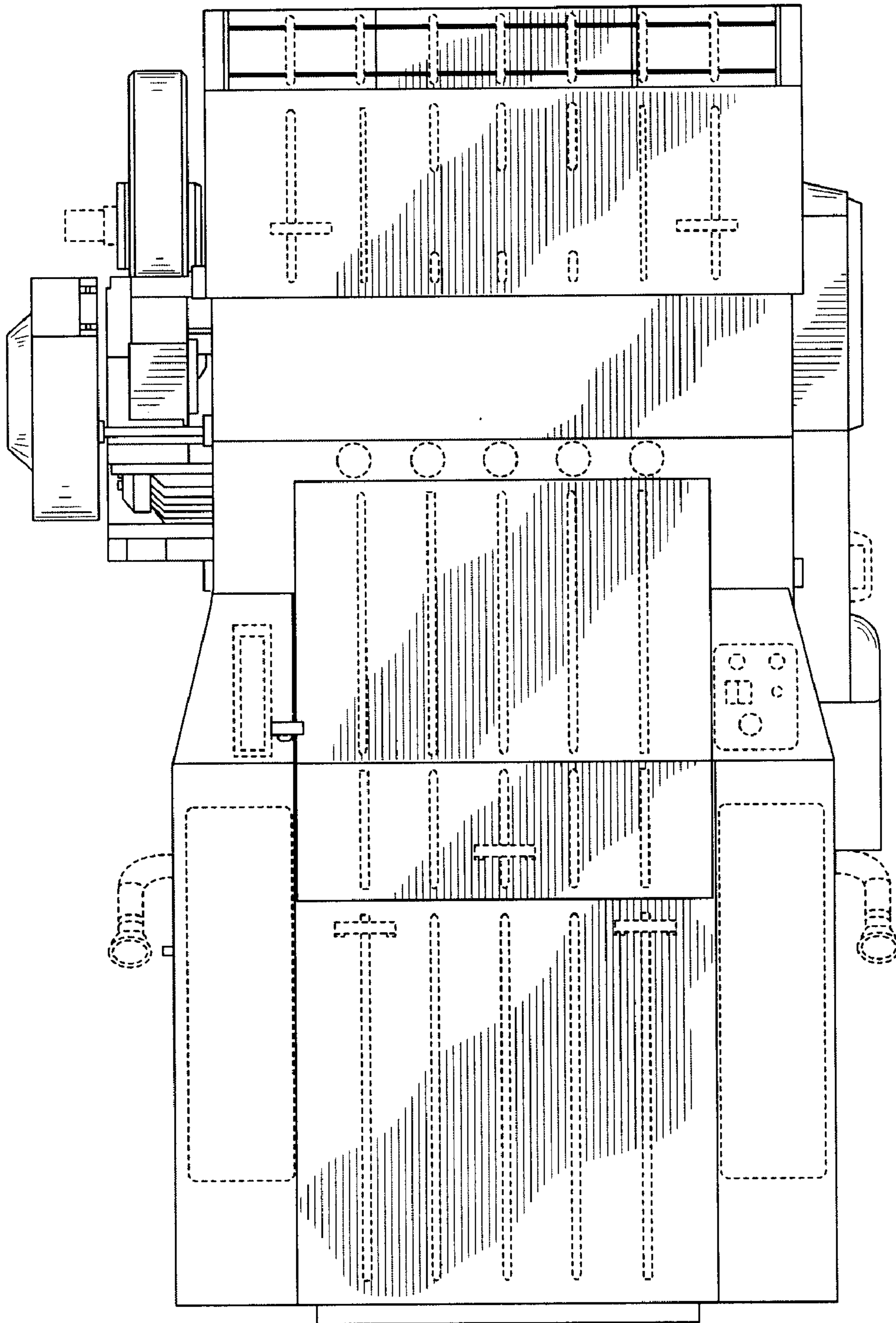


FIG. 6

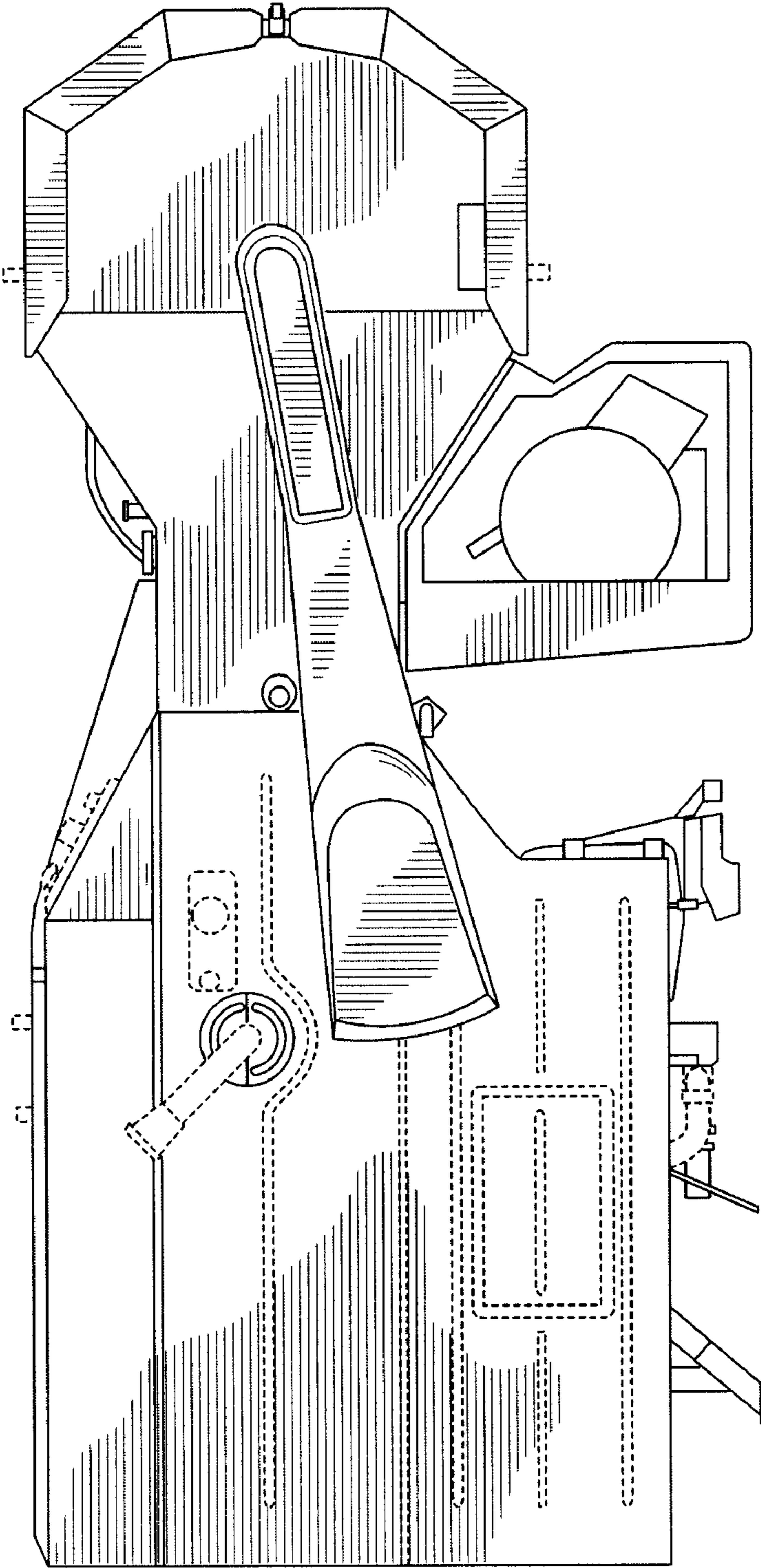


FIG. 7

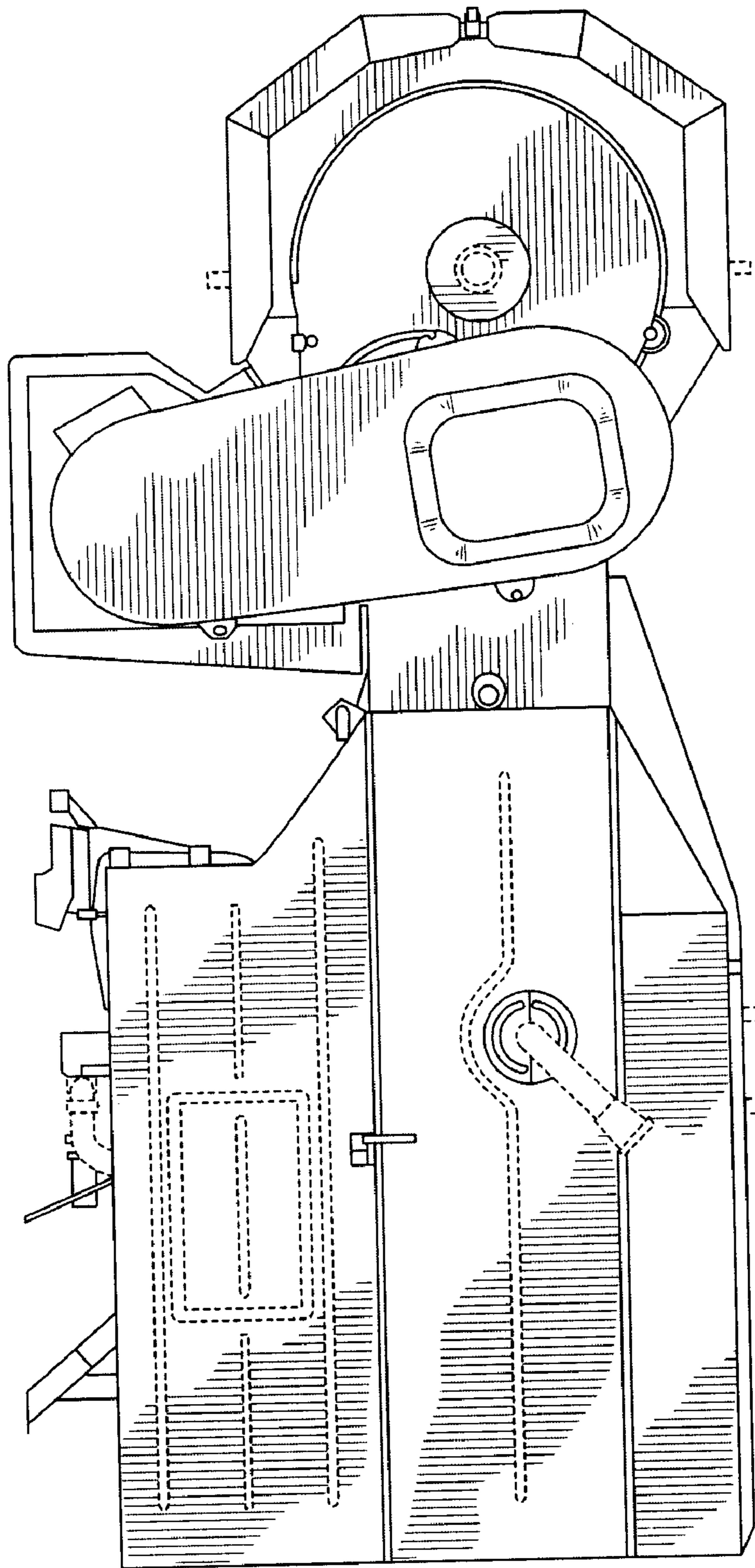


FIG. 8