



US00D513153S

(12) **United States Design Patent** (10) **Patent No.:** **US D513,153 S**
Austin et al. (45) **Date of Patent:** **** Dec. 27, 2005**

(54) **CONTROL PANEL FOR A WALL OVEN**

(75) Inventors: **Kerry O. Austin**, Ocoee, TN (US);
Inho Andy Shin, Cleveland, TN (US)

(73) Assignee: **Maytag Corporation**, Newton, IA (US)

(**) Term: **14 Years**

(21) Appl. No.: **29/191,473**

(22) Filed: **Oct. 9, 2003**

(51) **LOC (6) Cl.** **07-02**

(52) **U.S. Cl.** **D7/406**

(58) **Field of Search** D7/406, 348, 349;
D32/28; 34/524, 88; 312/31; 126/183, 52,
19 R, 273 R, 42, 39 B, 190, 198, 1 R,
37 R, 39 R, 21 R, 19 M, 273 A

(56) **References Cited**

U.S. PATENT DOCUMENTS

2,749,903 A *	6/1956	Auster	126/42
D423,287 S	4/2000	Marchand	
D424,862 S	5/2000	Holbrook	
D428,304 S	7/2000	Holbrook	
6,761,159 B1 *	7/2004	Barnes et al.	126/21 R
2003/0146201 A1	8/2003	Smith et al.	

* cited by examiner

Primary Examiner—Robert A. Delehanty
(74) *Attorney, Agent, or Firm*—Diedericks & Whitelaw, PLC; Allan P. Orsund

(57) **CLAIM**

The ornamental design of a control panel for a wall oven, as shown and described.

DESCRIPTION

FIG. 1 is an upper right perspective view of our new control panel design for a wall oven;

FIG. 2 is an enlarged, upper right perspective view of the control panel of FIG. 1;

FIG. 3 is a front elevational view of the control panel of the invention;

FIG. 4 is a top view of the control panel of the invention; and,

FIG. 5 is a right side elevational view of the control panel of the invention, with the left side view being a mirror image thereof.

The broken lines showing upper and lower wall oven door details in FIG. 1 and upper wall oven door details in FIGS. 2–5 are for illustrative purposes only and form no part of the claimed invention.

1 Claim, 3 Drawing Sheets

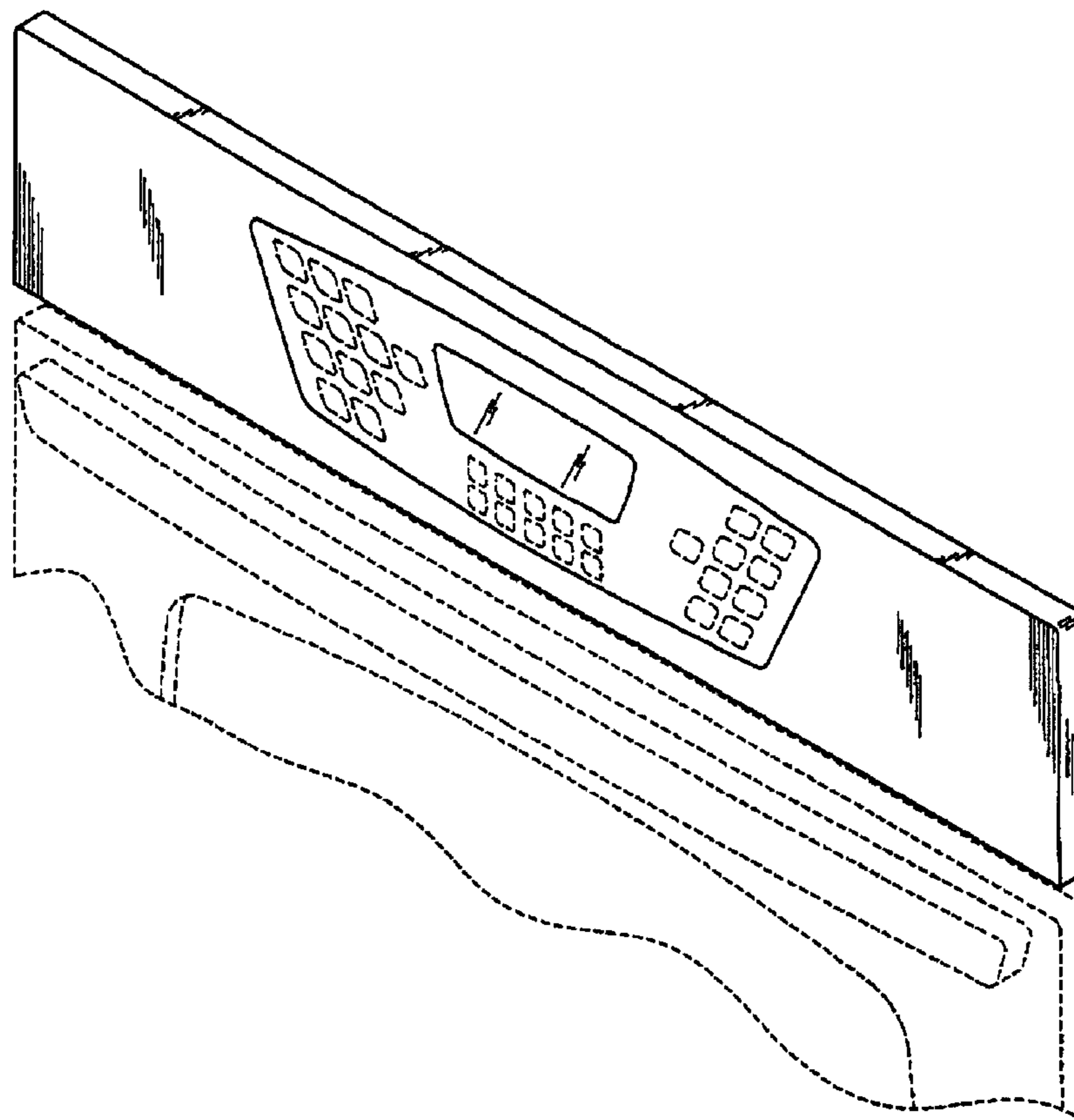
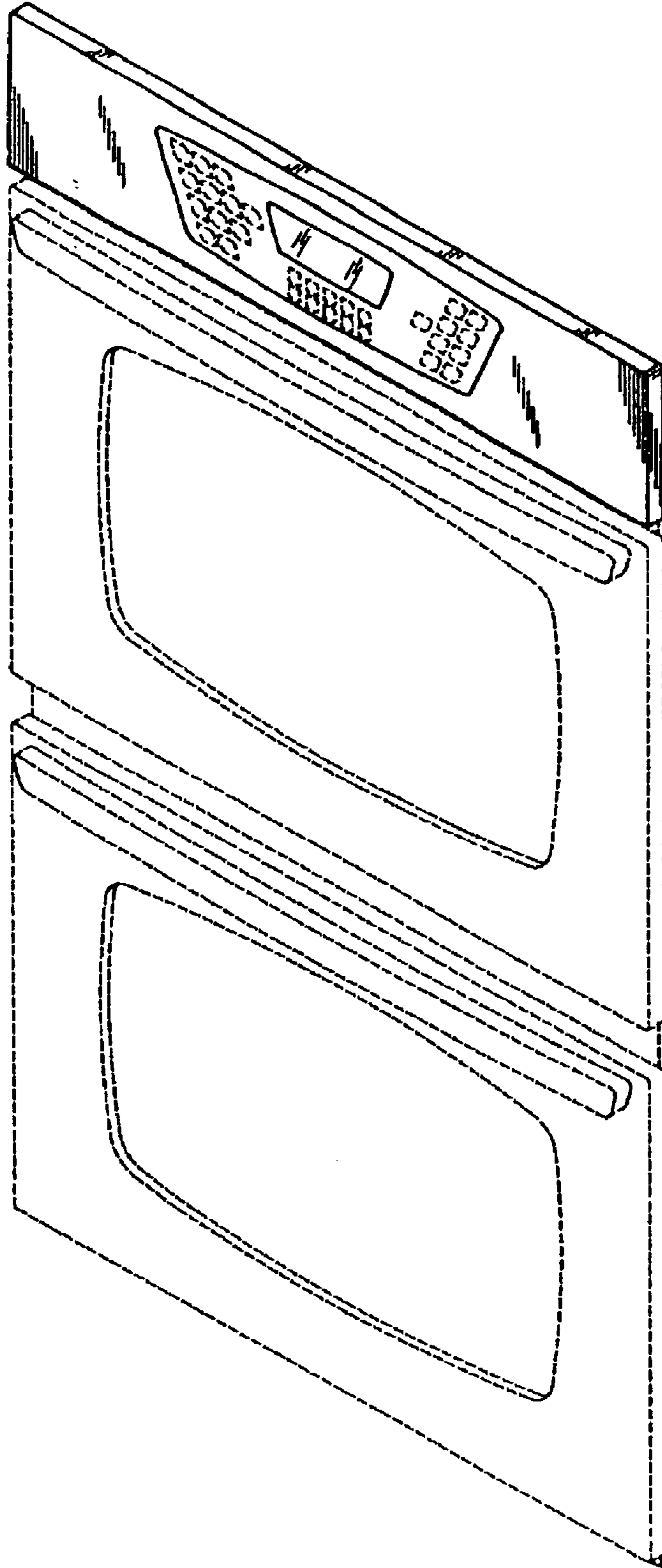


FIG. 1



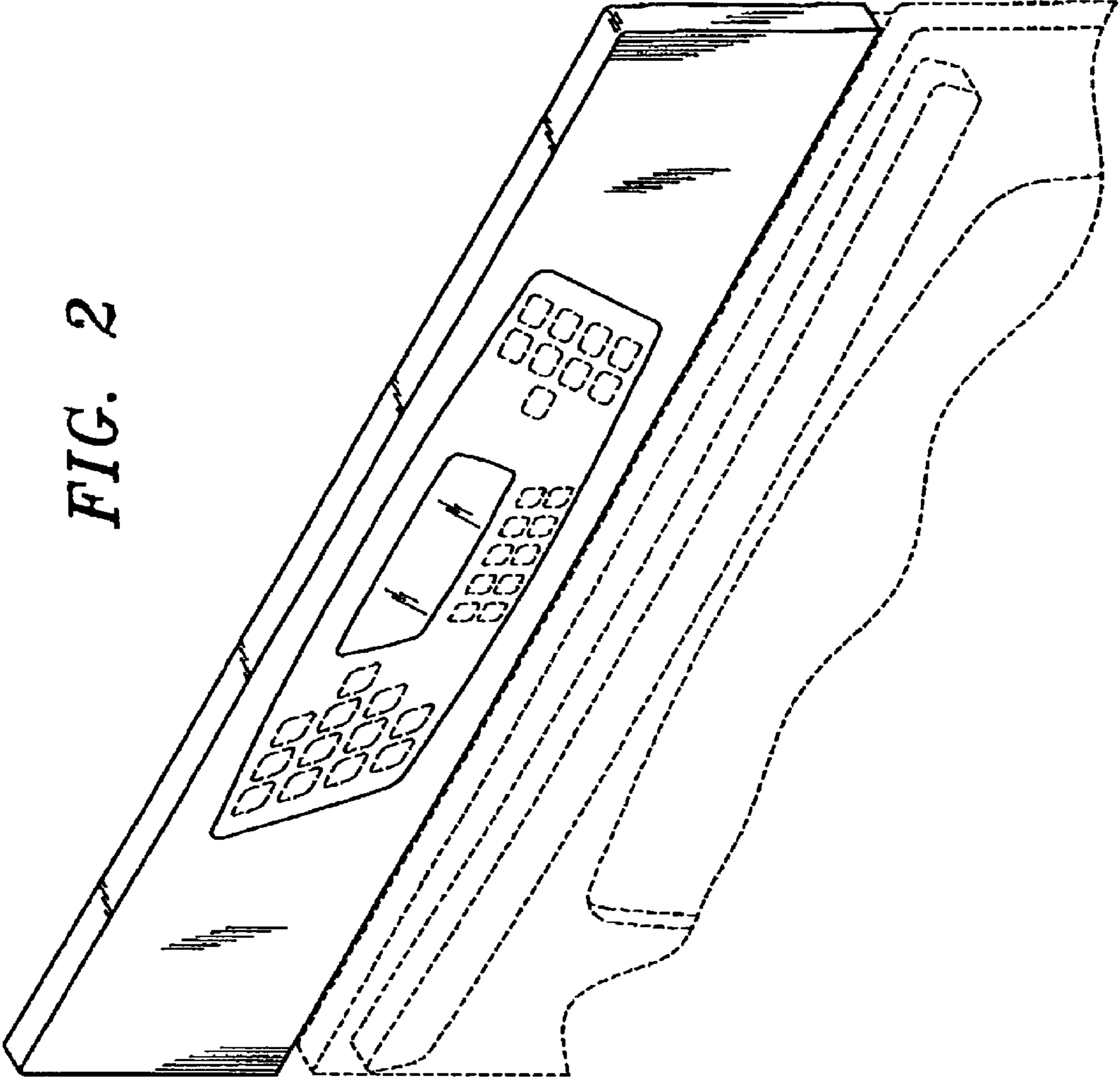


FIG. 2

FIG. 3

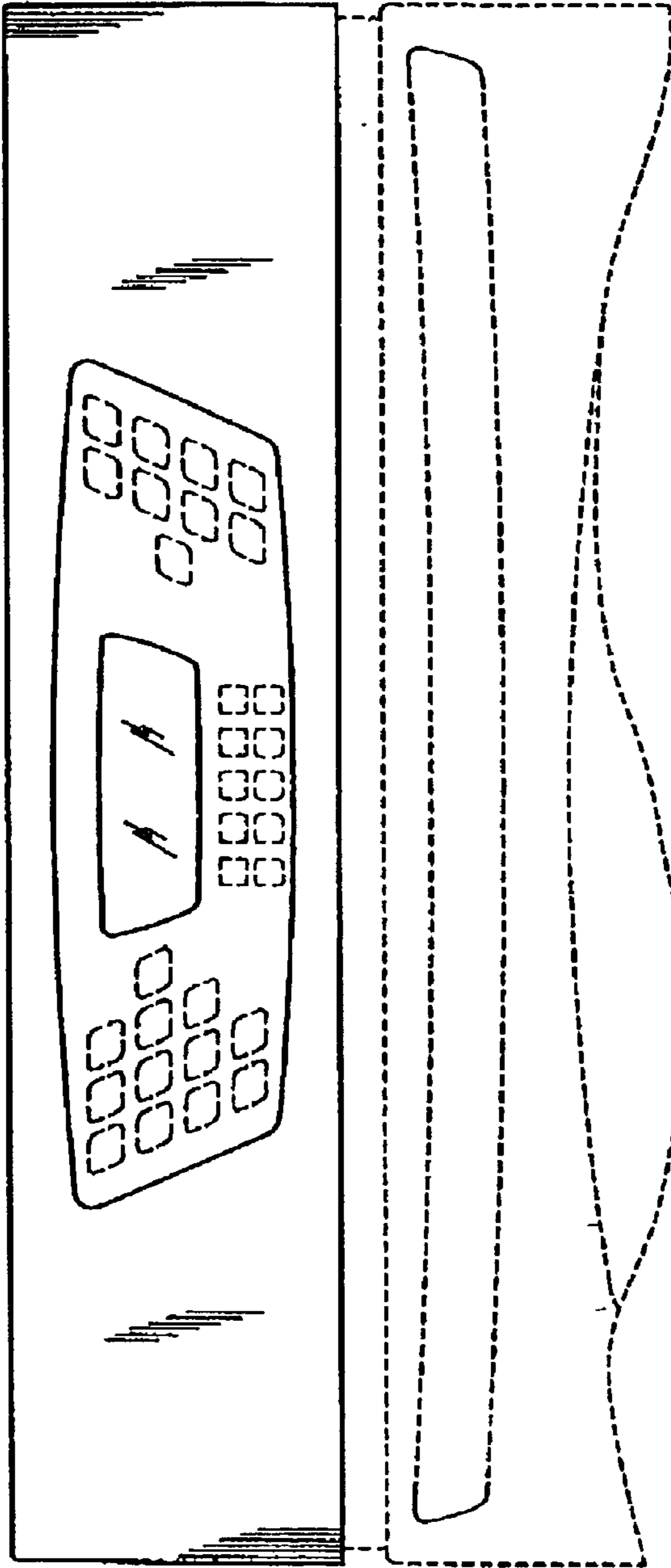


FIG. 5



FIG. 4

