



US00D513152S

(12) **United States Design Patent**  
**Cahen**

(10) **Patent No.:** **US D513,152 S**

(45) **Date of Patent:** **\*\* Dec. 27, 2005**

(54) **CAPSULE FOR THE RETENTION AND DISPENSING OF COFFEE, TEA, COCOA, SOUP, AND BOUILLON**

(75) **Inventor:** **Antoine Cahen, Lausanne (CH)**

(73) **Assignee:** **Societe des Produits Nestle S.A., Vevey (CH)**

(\*\*) **Term:** **14 Years**

(21) **Appl. No.:** **29/202,194**

(22) **Filed:** **Mar. 26, 2004**

(30) **Foreign Application Priority Data**

Sep. 24, 2003 (CH) ..... 130043

(51) **LOC (6) Cl.** ..... **07-99**

(52) **U.S. Cl.** ..... **D7/400; D7/399**

(58) **Field of Search** ..... D7/400, 399, 310, D7/401, 700, 305; 99/289 R, 277, 286, 284, 281, 293, 323, 295, 306; 210/323, 474, 283, 464; 426/77, 112, 115; 220/654; 366/165.1

(56) **References Cited**

**U.S. PATENT DOCUMENTS**

D113,514 S	2/1939	Iannelli	.....	D7/401
D150,482 S	8/1948	Wohl	.....	D7/310
D157,701 S	3/1950	Reichart	.....	D7/310
2,522,102 A	9/1950	Dold	.....	366/165.1
2,846,076 A	8/1958	Brant	.....	310/444
3,182,584 A	5/1965	Serio	.....	99/284
3,552,298 A	4/1969	Bufkin et al.	.....	99/281
3,450,024 A *	6/1969	Martin	.....	99/295
3,479,949 A	11/1969	Reynolds et al.	.....	99/282
D231,307 S	4/1974	Wolfman	.....	D7/310
4,099,453 A	7/1978	Kaplan	.....	99/304
4,550,024 A	10/1985	Le Granse	.....	426/11

4,739,697 A	4/1988	Roberts	.....	99/295
4,765,896 A	8/1988	Hartley et al.	.....	210/474
D335,607 S	5/1993	Newman	.....	D7/307
D341,992 S	12/1993	Gasser	.....	D7/400
D360,106 S *	7/1995	Sintchak	.....	D7/400
D407,602 S	4/1999	Patel	.....	D1/400
5,913,961 A	6/1999	Chmiel et al.	.....	99/256
6,055,900 A	5/2000	Bunn	.....	99/279
6,422,132 B1	7/2002	Devine	.....	99/284
6,487,961 B2	12/2002	Bunn	.....	99/323
6,497,818 B1	12/2002	Bunn	.....	210/238
D479,088 S	9/2003	Yao	.....	D7/309
2001/0013275 A1 *	8/2001	Pope	.....	99/323
2002/0088807 A1 *	7/2002	Perkovic et al.	.....	220/654

\* cited by examiner

*Primary Examiner*—M. N. Pandozzi

(74) *Attorney, Agent, or Firm*—Sheldon & Mak; Denton L. Anderson

(57) **CLAIM**

The ornamental design for a capsule for the retention and dispensing of coffee, tea, cocoa, soup, and bouillon, as shown and described.

**DESCRIPTION**

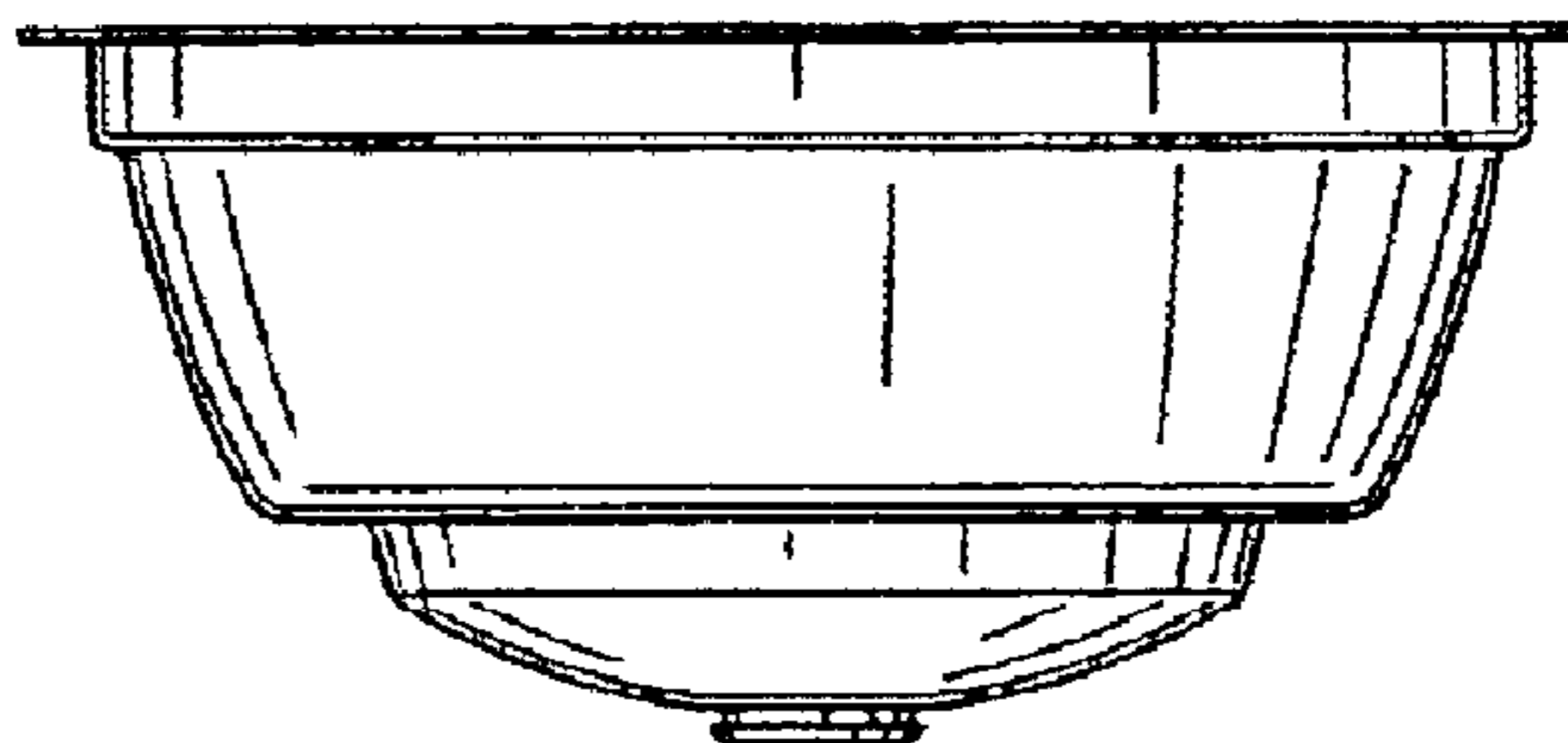
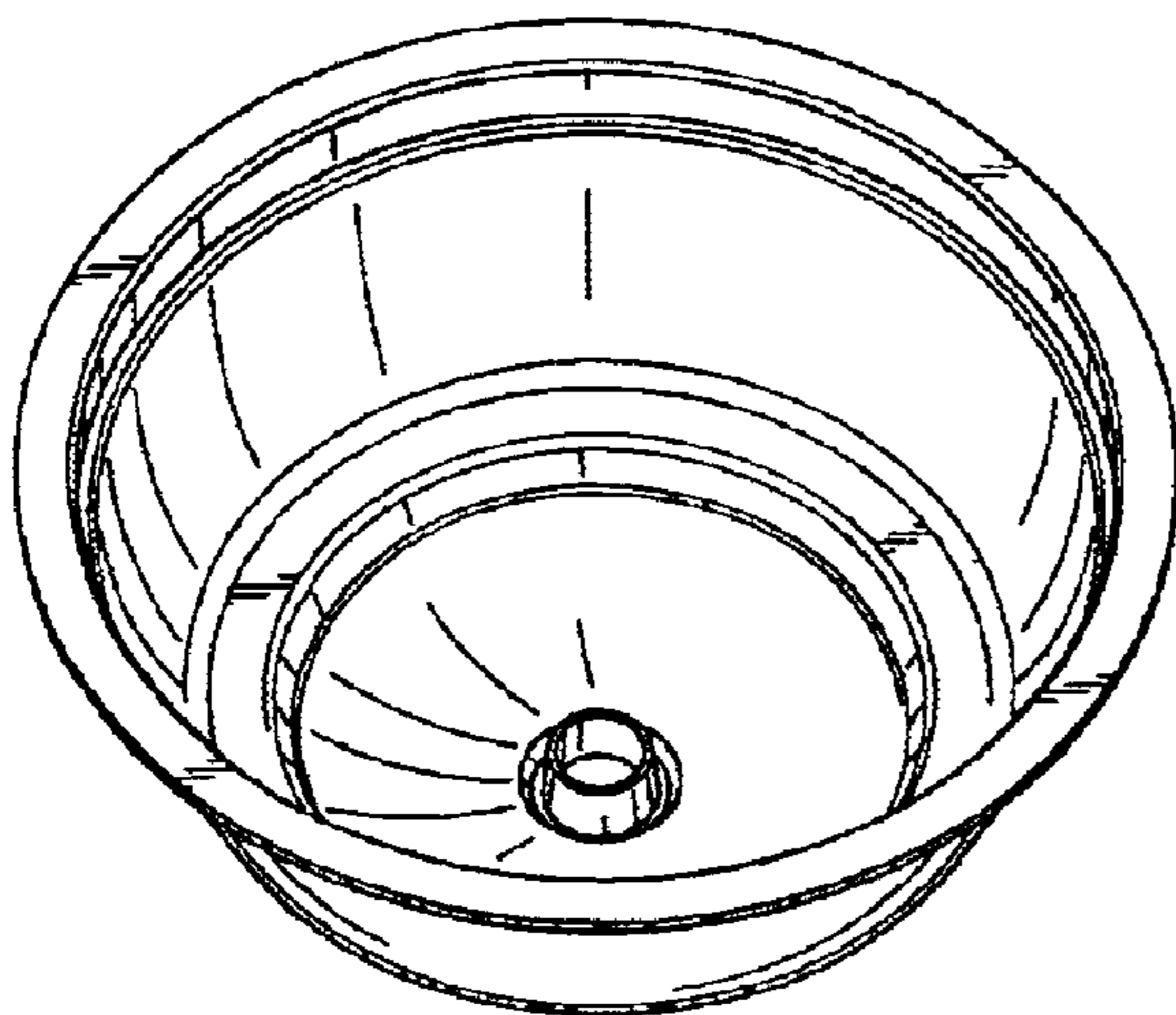
FIG. 1 is a perspective view of the capsule for the retention and dispensing of coffee, tea, cocoa, soup, and bouillon of the invention;

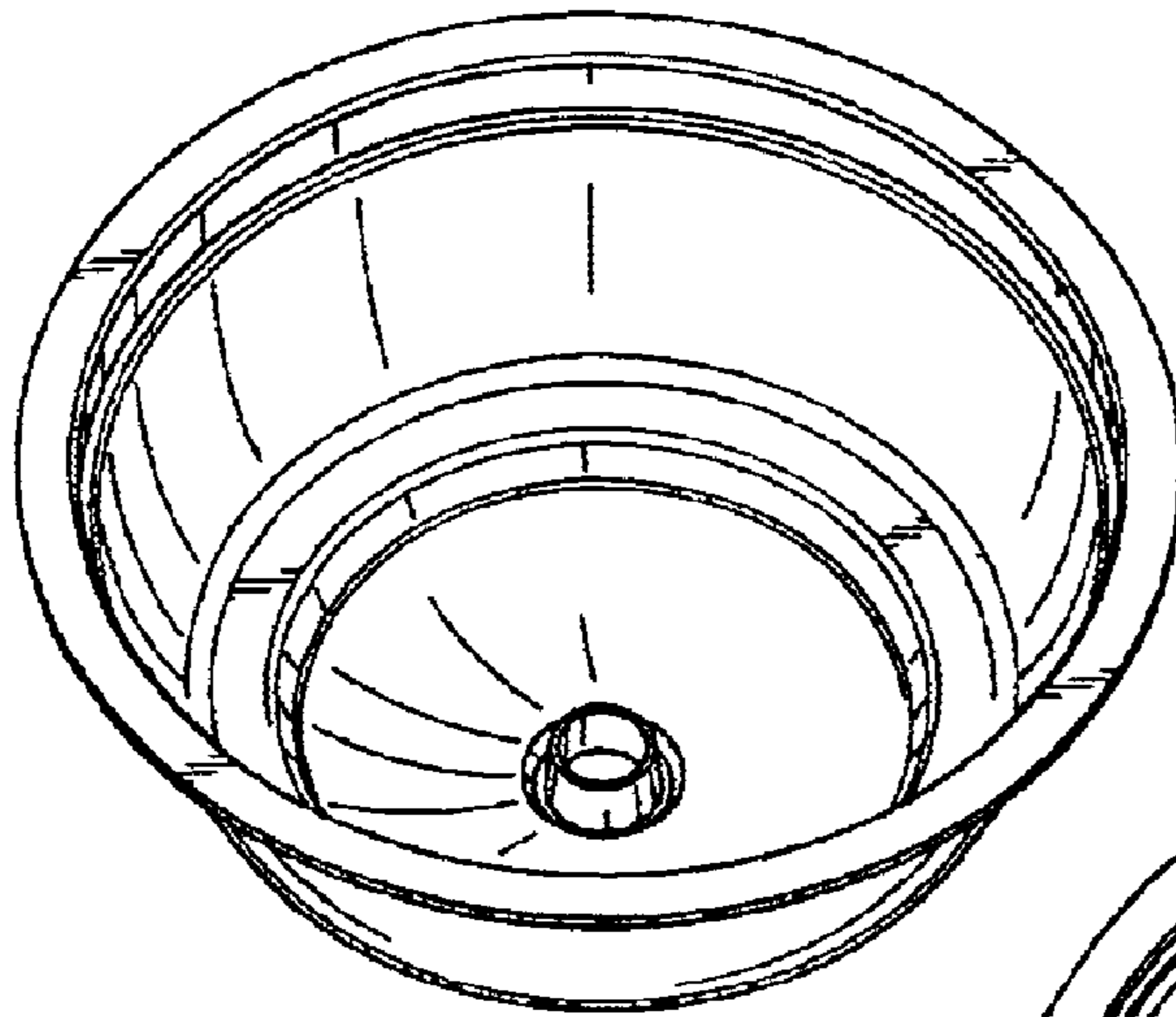
FIG. 2 is a plan view of the capsule for the retention and dispensing of coffee, tea, cocoa, soup, and bouillon illustrated in FIG. 1;

FIG. 3 is a side view of the capsule for the retention and dispensing of coffee, tea, cocoa, soup, and bouillon illustrated in FIG. 1; and,

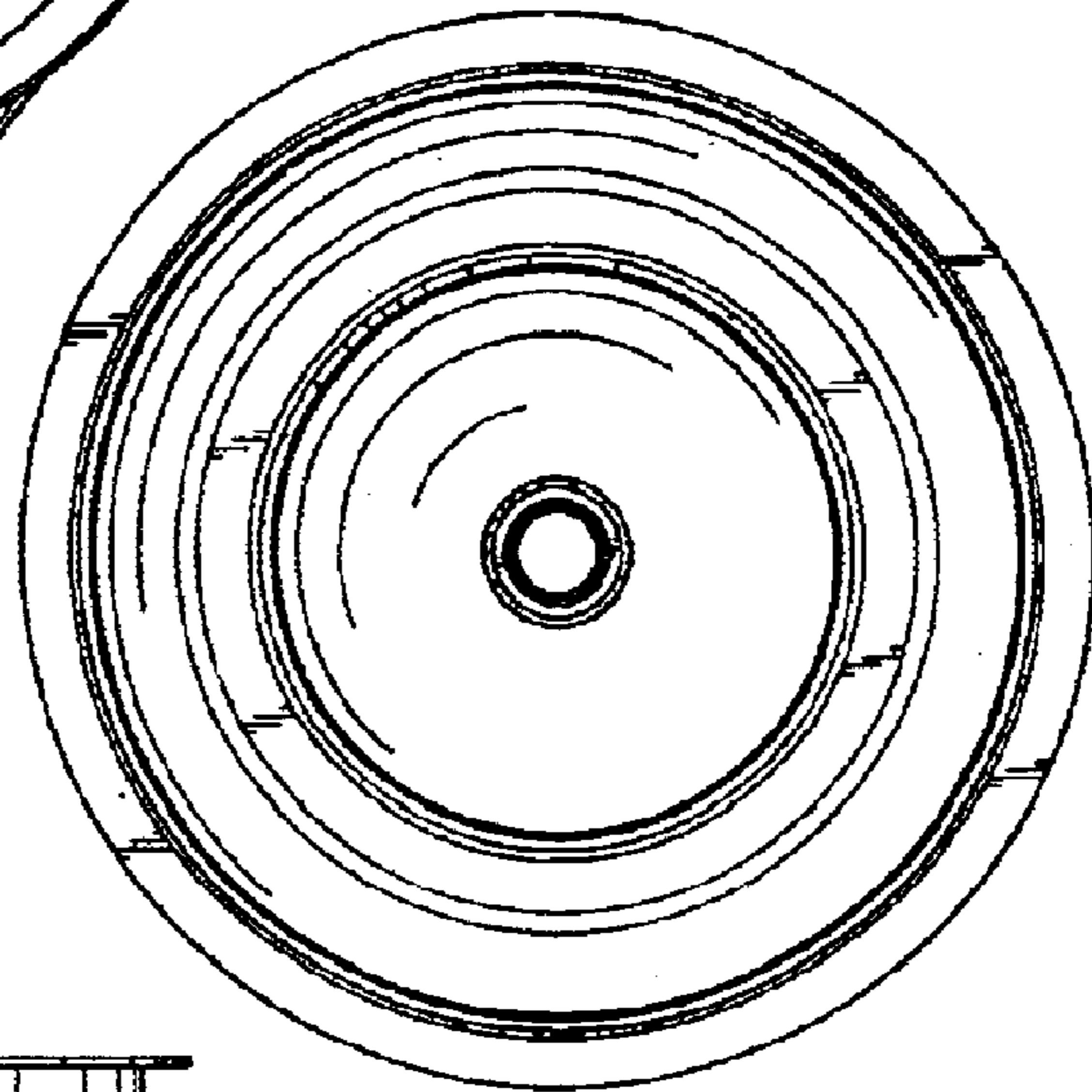
FIG. 4 is a bottom view of the capsule for the retention and dispensing of coffee, tea, cocoa, soup, and bouillon illustrated in FIG. 1.

**1 Claim, 1 Drawing Sheet**

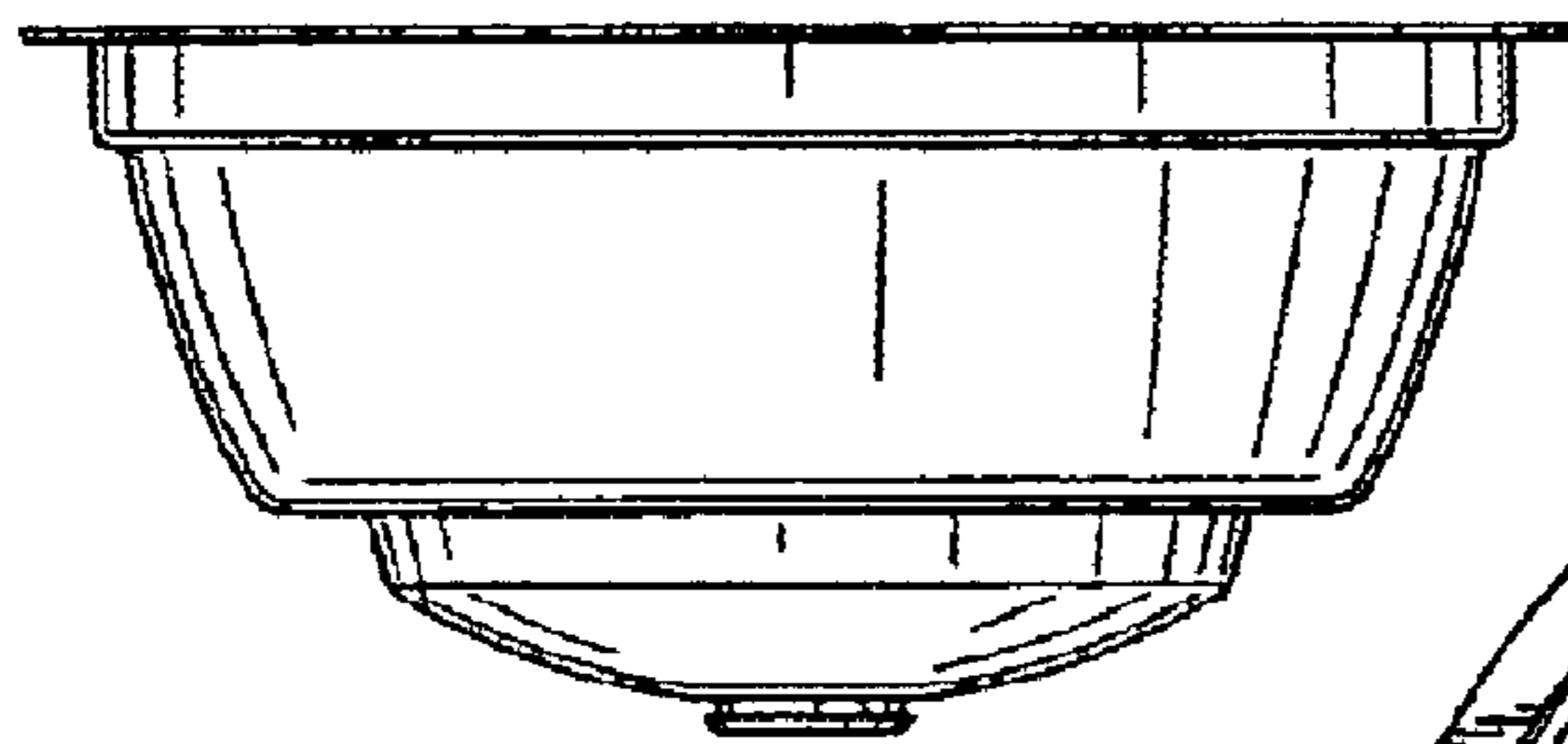




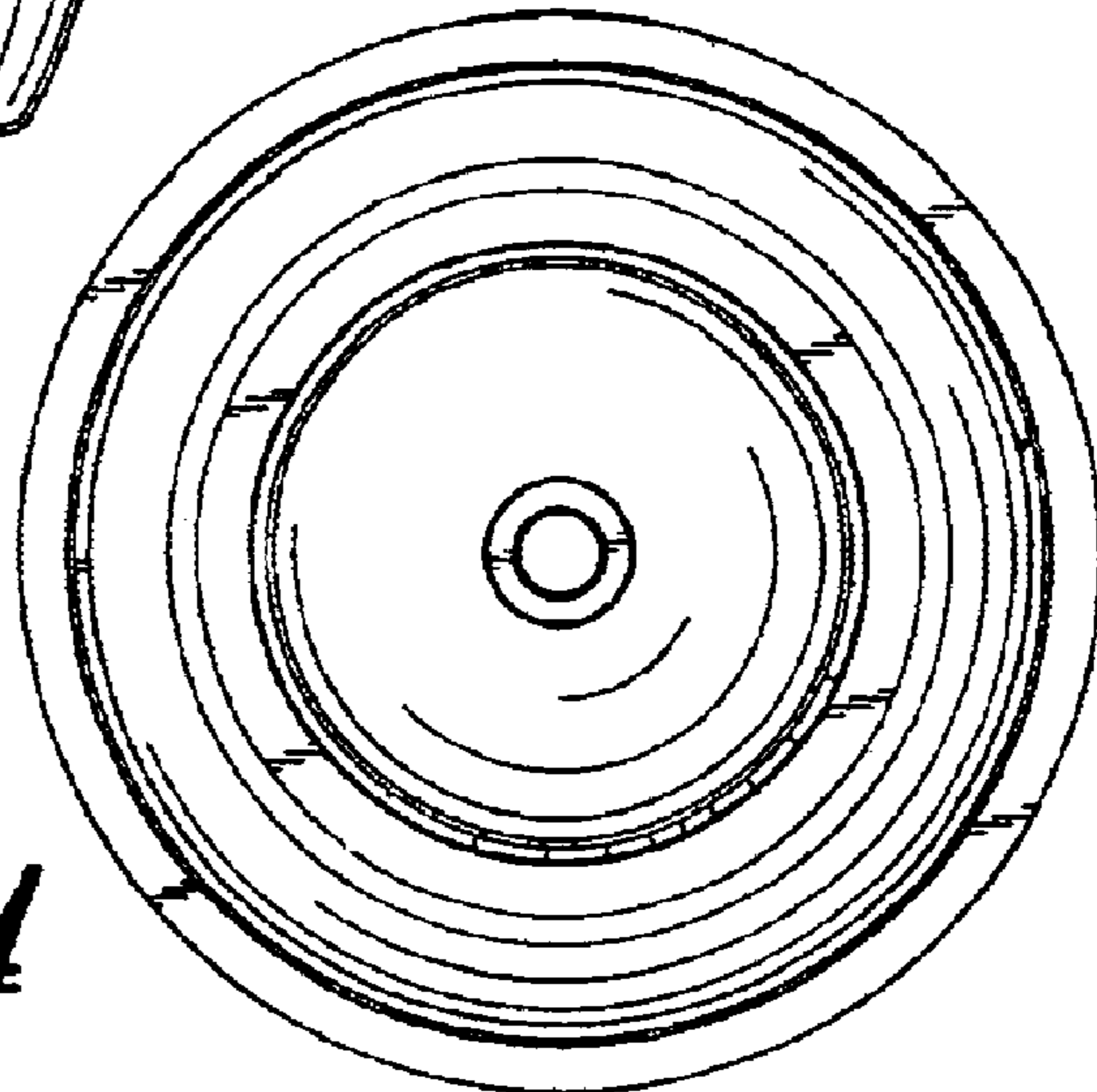
*FIG. 1*



*FIG. 2*



*FIG. 3*



*FIG. 4*