



US00D513151S

(12) **United States Design Patent**
Currie

(10) **Patent No.: US D513,151 S**

(45) **Date of Patent: ** Dec. 27, 2005**

(54) **COOKING STOVE**

(75) **Inventor: Neil Anthony Currie, Stourport-on Severn (GB)**

(73) **Assignee: 3rd Angle (U.K.) Ltd., Shropshire (GB)**

(**) **Term: 14 Years**

(21) **Appl. No.: 29/202,660**

(22) **Filed: Apr. 5, 2004**

(30) **Foreign Application Priority Data**

Oct. 6, 2003 (EM) RCD 000084058
Feb. 12, 2004 (EM) RCD 000136916

(51) **LOC (6) Cl. 07-02**

(52) **U.S. Cl. D7/364**

(58) **Field of Search** D7/362-367, 332,
D7/337, 402-404, 409, 360, 550.1, 554.3;
126/38, 25 R, 9 R, 9 B, 40, 44-45, 41 R;
219/443.1, 450.1, 451.1, 446.1, 452.11,
462.1, 432; 431/247, 344, 211; 99/422-423,
425, 445, 448, 450

(56) **References Cited**

U.S. PATENT DOCUMENTS

D205,820 S * 9/1966 Ryan D7/364

4,145,603 A * 3/1979 Mackay et al. 219/387
D304,990 S * 12/1989 Springer D7/367
D305,290 S * 1/1990 Springer D7/367
D312,747 S * 12/1990 Keung D7/367
D333,064 S * 2/1993 Sorrel D7/364
D335,240 S * 5/1993 Critchfield et al. D7/364

* cited by examiner

Primary Examiner—Ruth McInroy

(74) *Attorney, Agent, or Firm*—Bacon & Thomas, PLLC

(57) **CLAIM**

The ornamental design for a cooking stove, as shown and described.

DESCRIPTION

FIG. 1 is an upper right perspective view of a cooking stove embodying my design;

FIG. 2 is a left elevation view of the cooking stove;

FIG. 3 is a top plan view of the cooking stove;

FIG. 4 is a front elevation view of the cooking stove;

FIG. 5 is a rear elevation view of the cooking stove;

FIG. 6 is a right elevation view of the cooking stove; and,

FIG. 7 is a bottom view of the cooking stove.

The electric cord shown broken away in FIG. 7 is understood to represent indeterminate length.

1 Claim, 4 Drawing Sheets

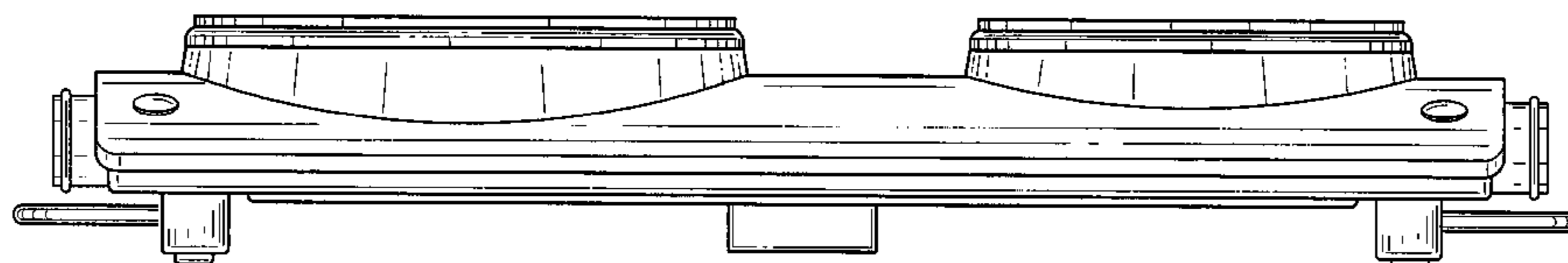
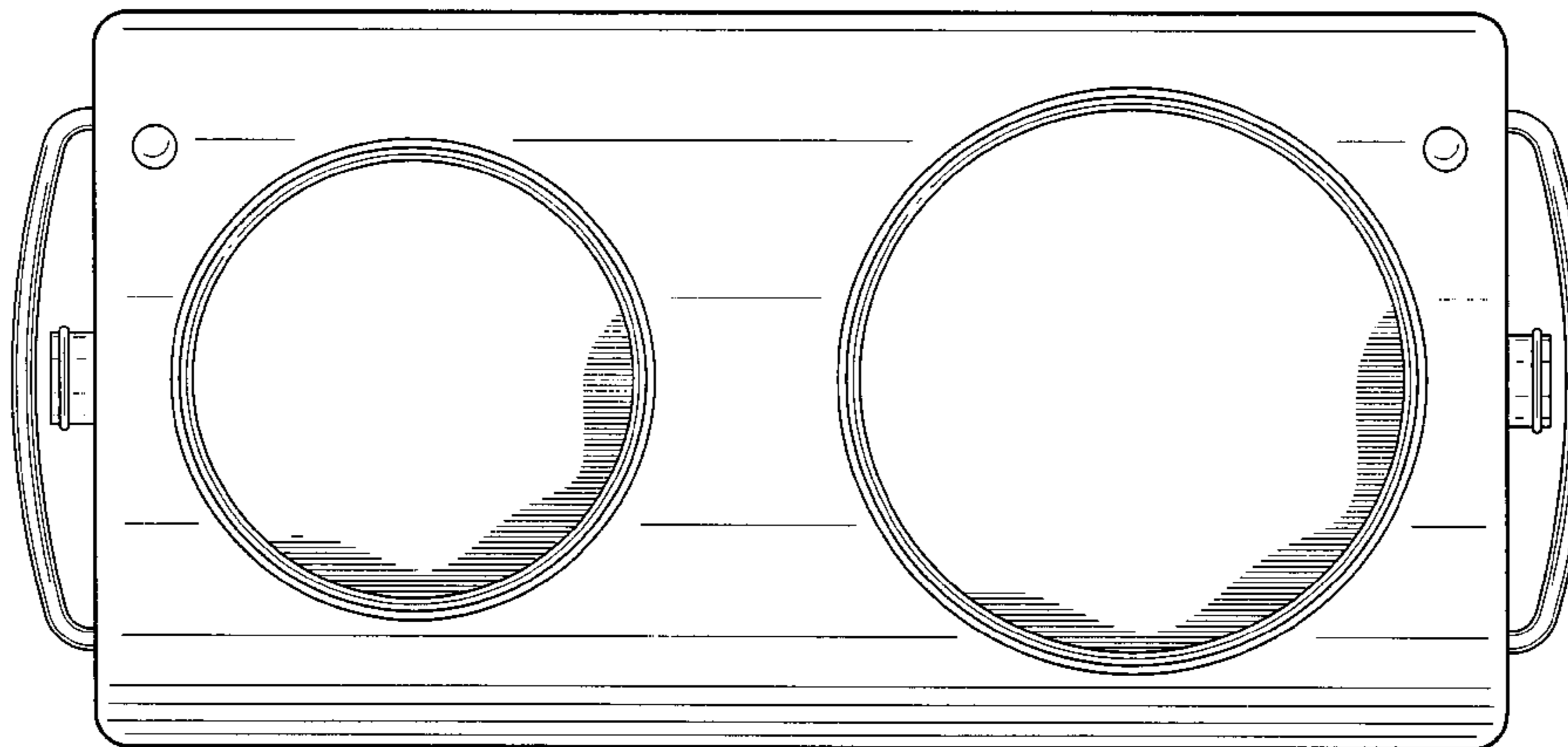
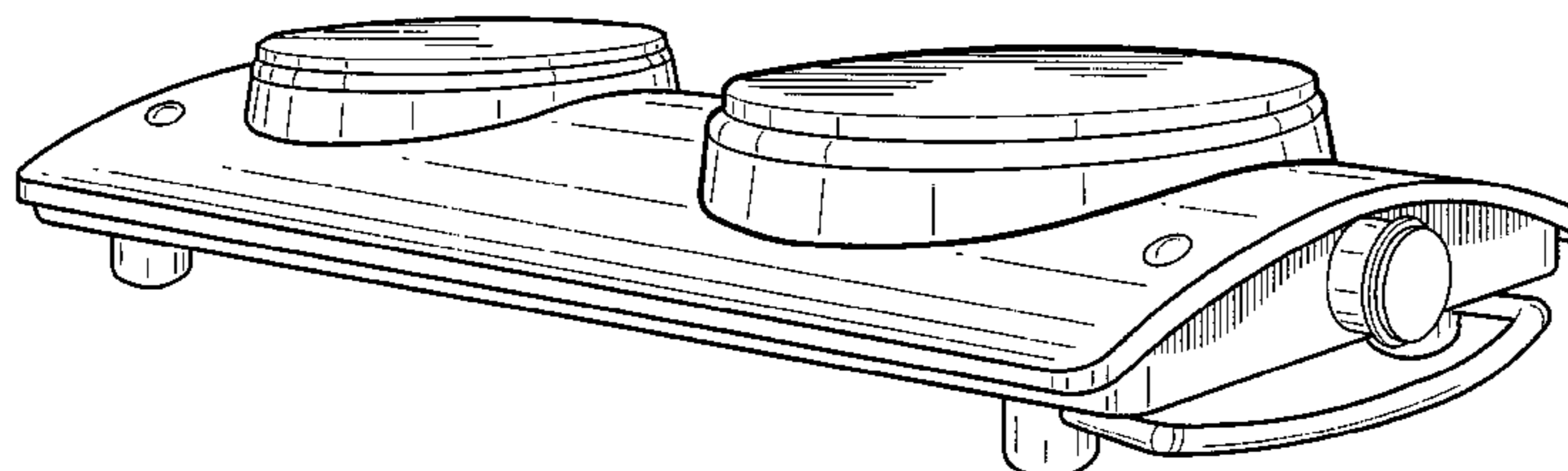


FIG.1

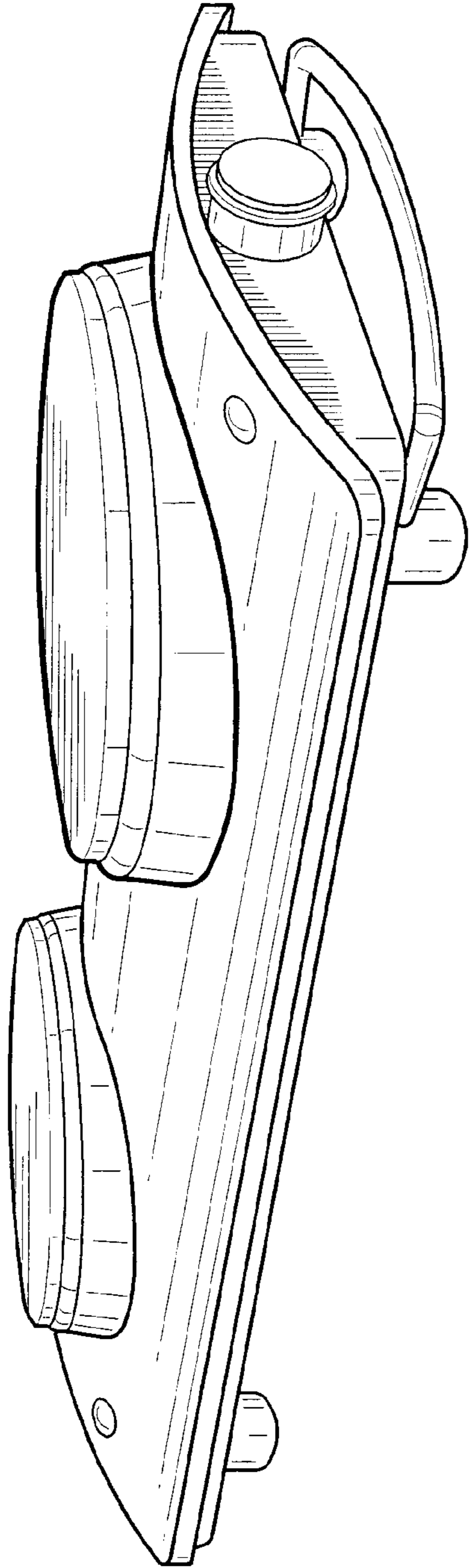


FIG.2

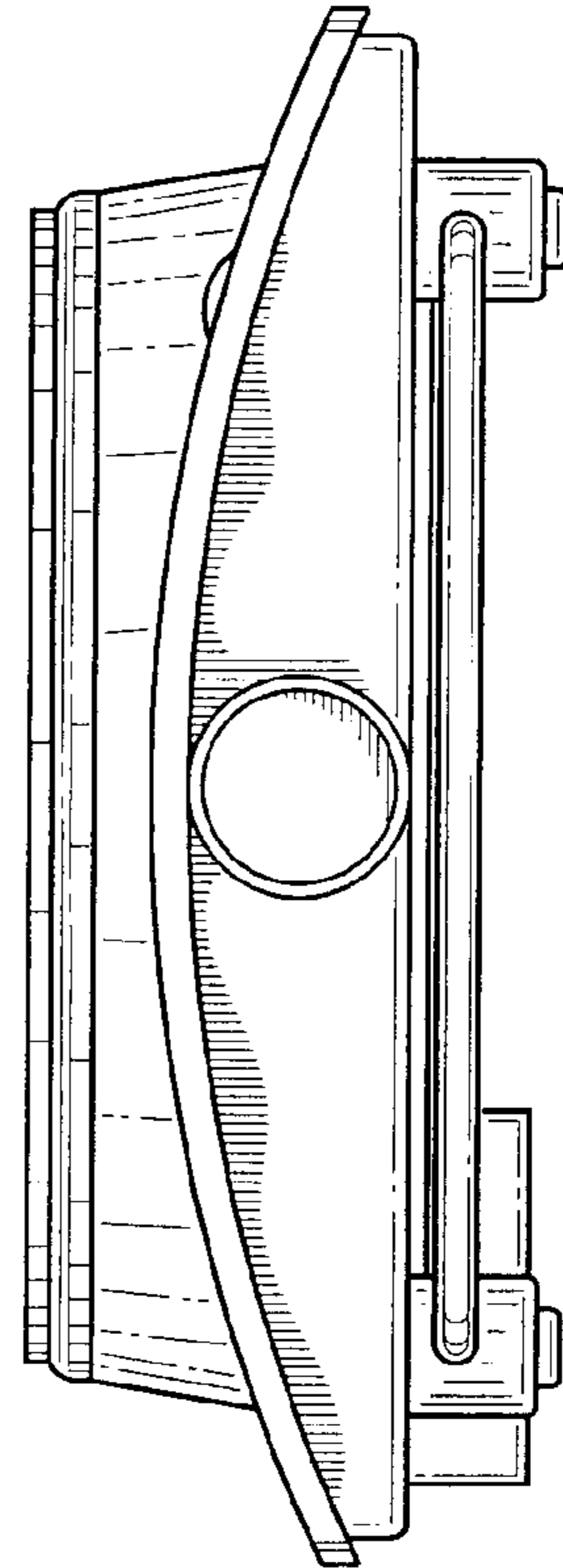
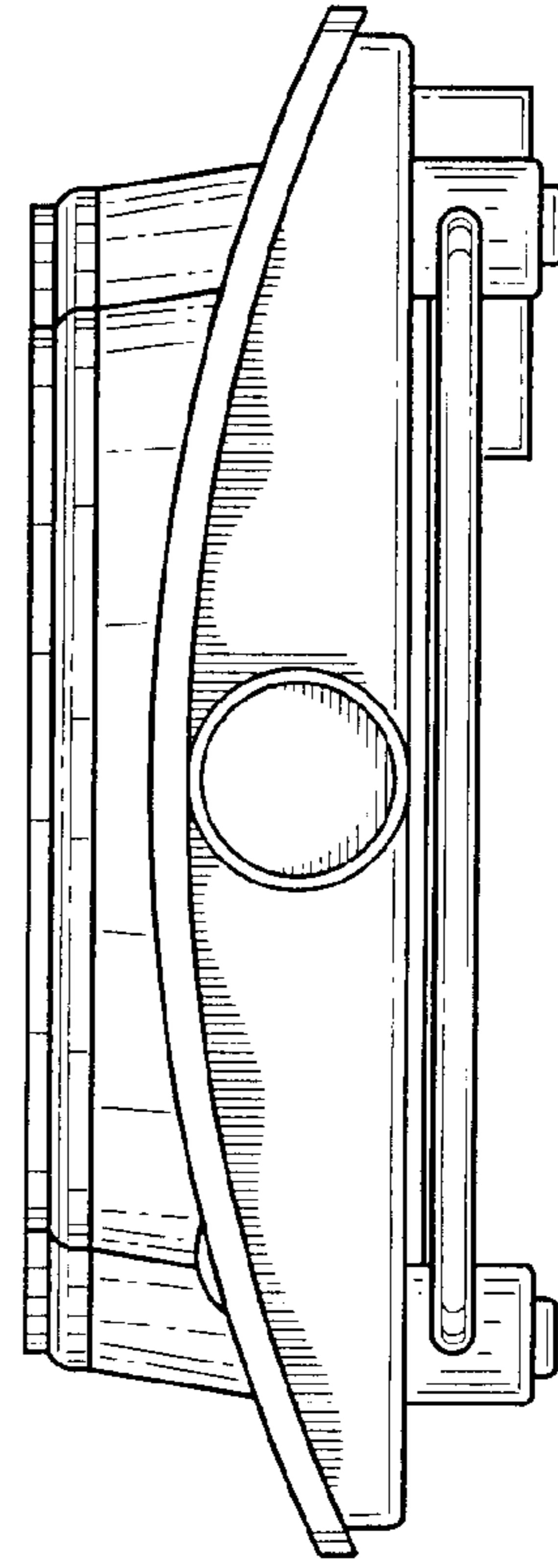


FIG.6



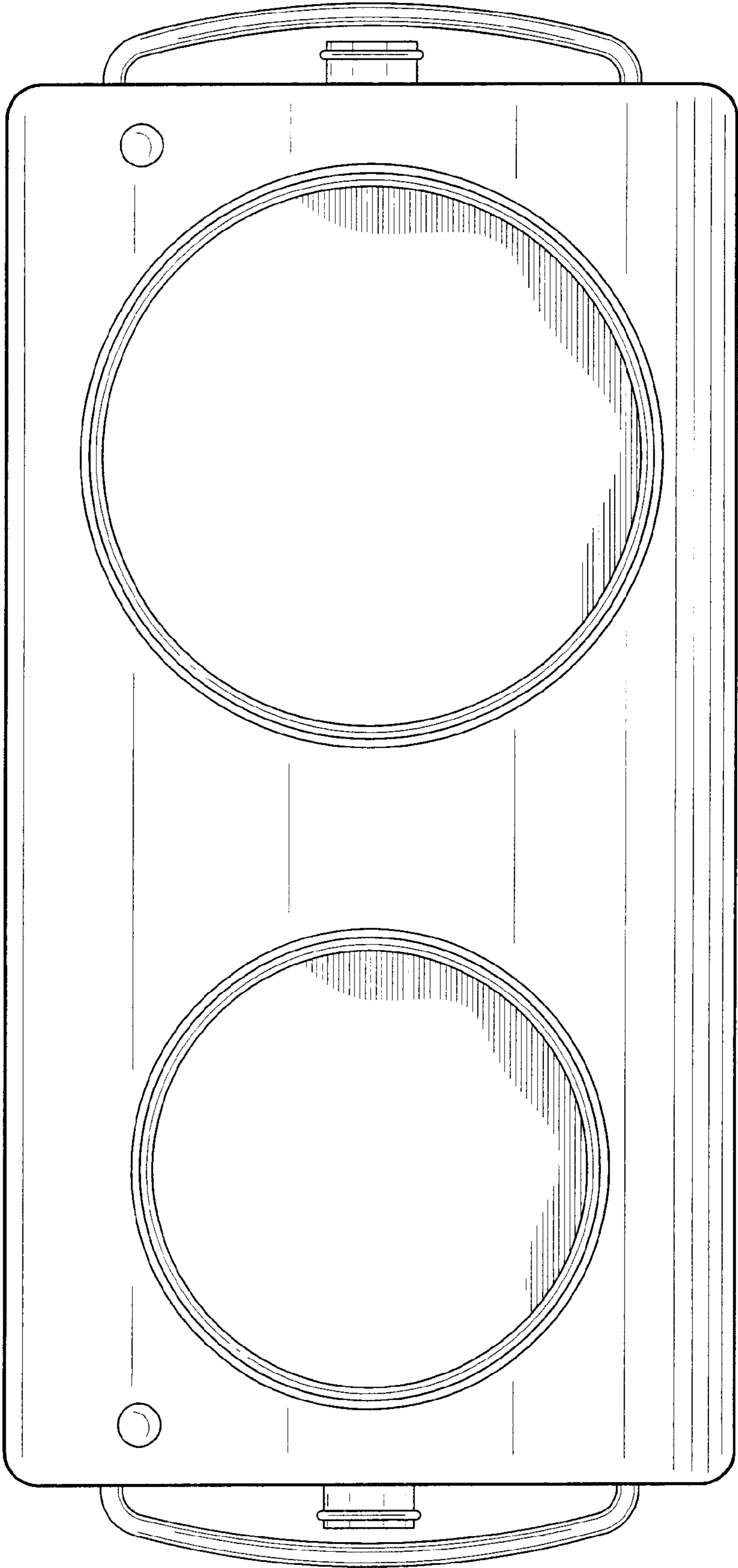


FIG.3

FIG.4

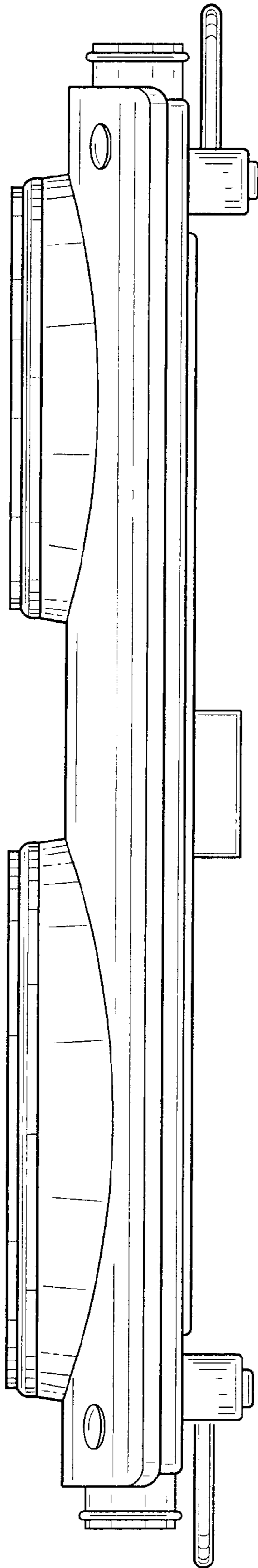


FIG.5

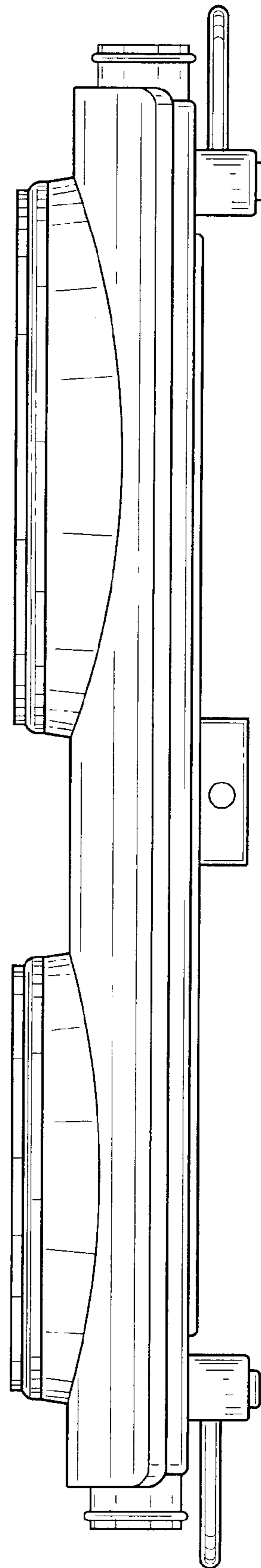


FIG.7

