



US00D513142S

(12) **United States Design Patent**
Suero, Jr.

(10) **Patent No.:** **US D513,142 S**

(45) **Date of Patent:** **** Dec. 27, 2005**

(54) **CORNER BATH CADDY**

(75) **Inventor:** **Jose Suero, Jr., Newark, DE (US)**

(73) **Assignee:** **Zenith Products Corp., New Castle, DE (US)**

(**) **Term:** **14 Years**

(21) **Appl. No.:** **29/211,602**

(22) **Filed:** **Aug. 18, 2004**

(51) **LOC (6) Cl.** **06-02**

(52) **U.S. Cl.** **D6/525; D6/562**

(58) **Field of Search** **D6/524, 525, 562;**
108/59; 211/13.1, 86.01, 87.01, 88.01, 126.1,
106, 134, 126.9, 153, 182

(56) **References Cited**

U.S. PATENT DOCUMENTS

- D274,201 S * 6/1984 Aaron D6/525
- D351,751 S * 10/1994 Brightbill et al. D6/525
- D382,751 S * 8/1997 Andrus D6/525
- D419,020 S * 1/2000 Emery et al. D6/562

- D444,017 S * 6/2001 Walker D6/562
- D451,743 S * 12/2001 Henderson et al. D6/562
- D475,562 S * 6/2003 Suero, Jr. D6/525

* cited by examiner

Primary Examiner—Brian N Vinson

(74) *Attorney, Agent, or Firm*—Edgar A. Zarins; Lloyd D. Doigan

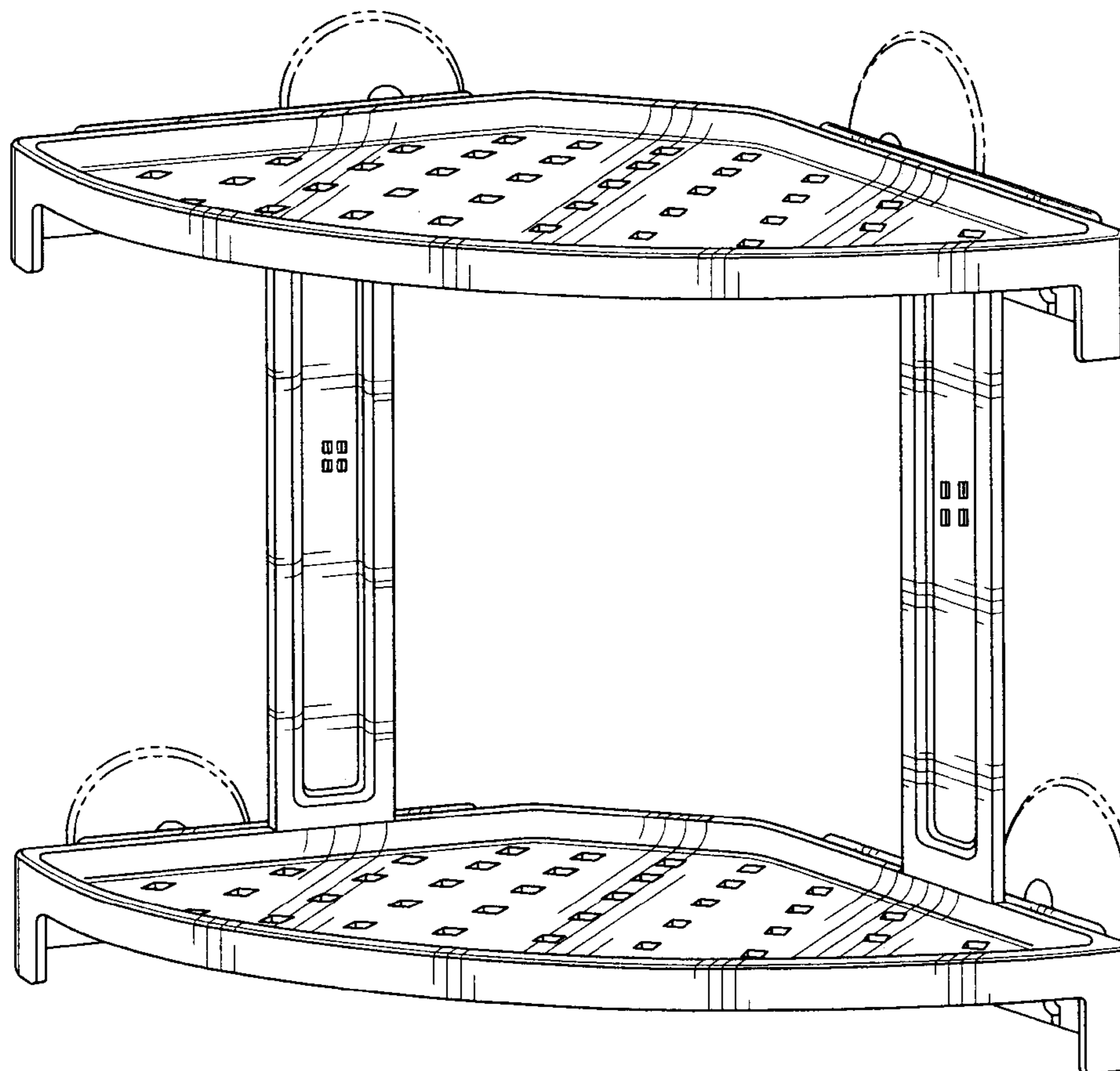
(57) **CLAIM**

The ornamental design for a corner bath caddy, as shown and described.

DESCRIPTION

FIG. 1 is a perspective view of a corner bath caddy showing my new design;
 FIG. 2 is a right side view thereof, the opposite side being a mirror image of the side shown;
 FIG. 3 is a front elevational view thereof; and,
 FIG. 4 is a top plan view thereof.
 The broken-line disclosure in the views is for illustrative purposes only and forms no part of the claimed design.

1 Claim, 2 Drawing Sheets



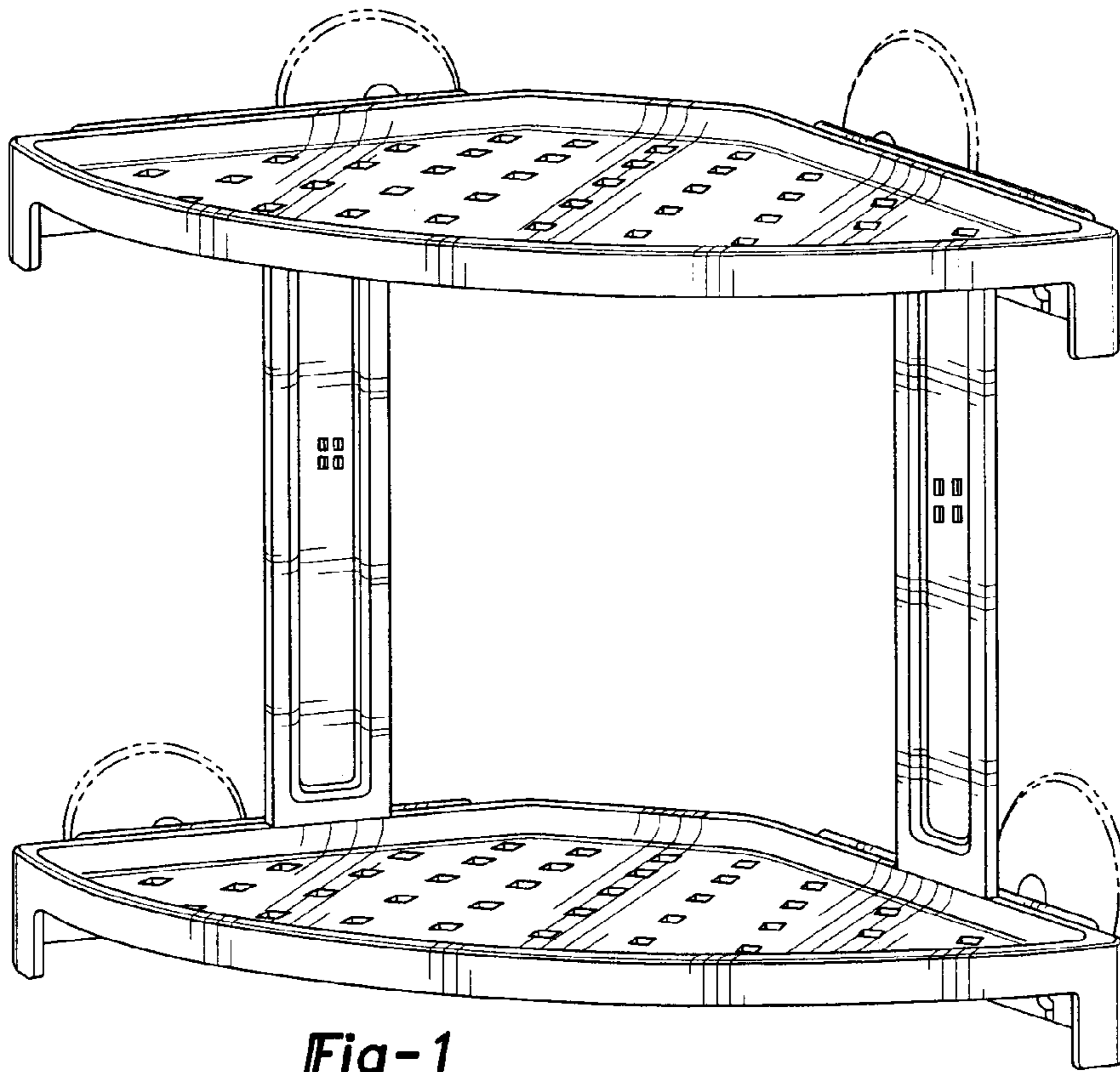


Fig-1

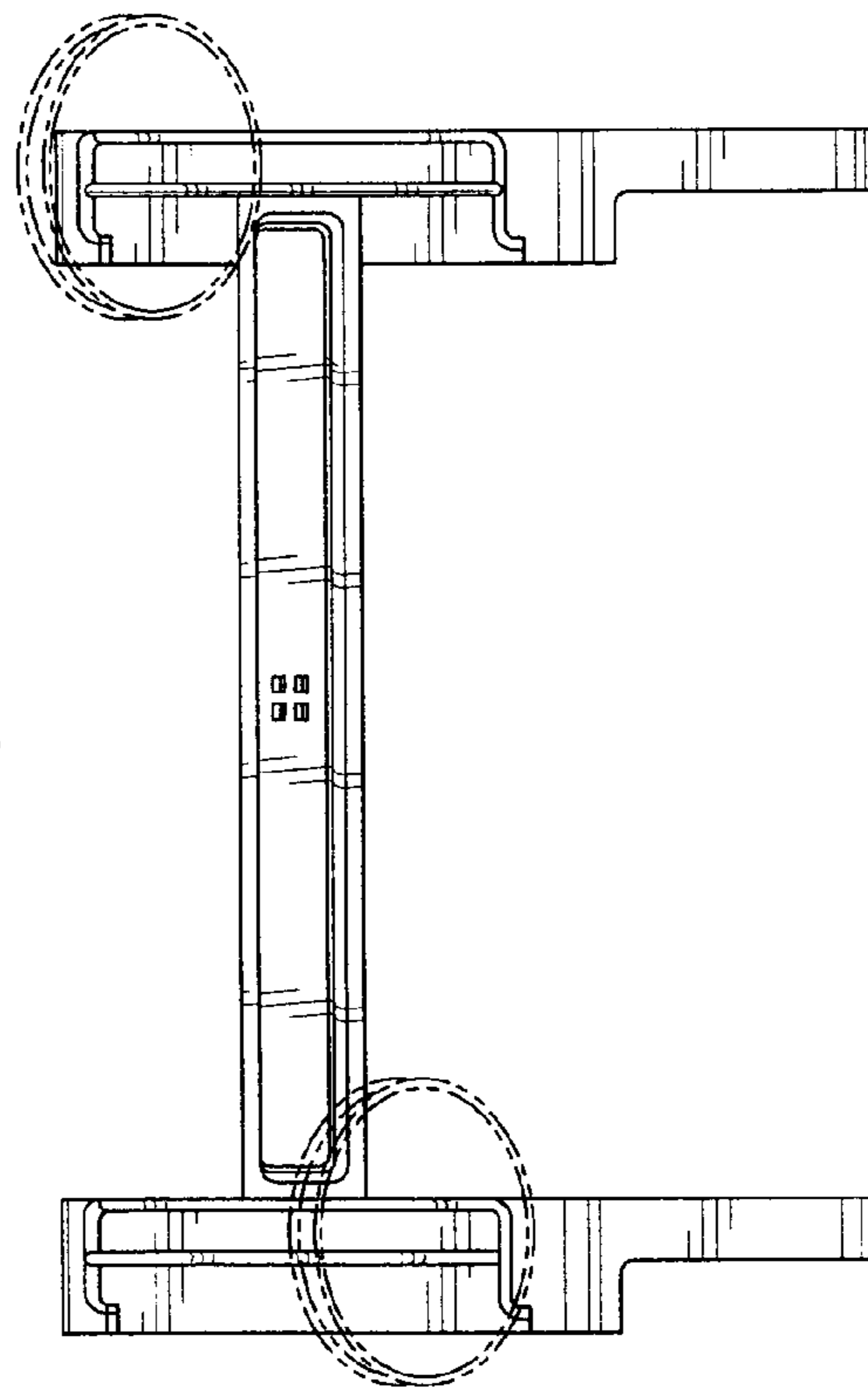


Fig-2

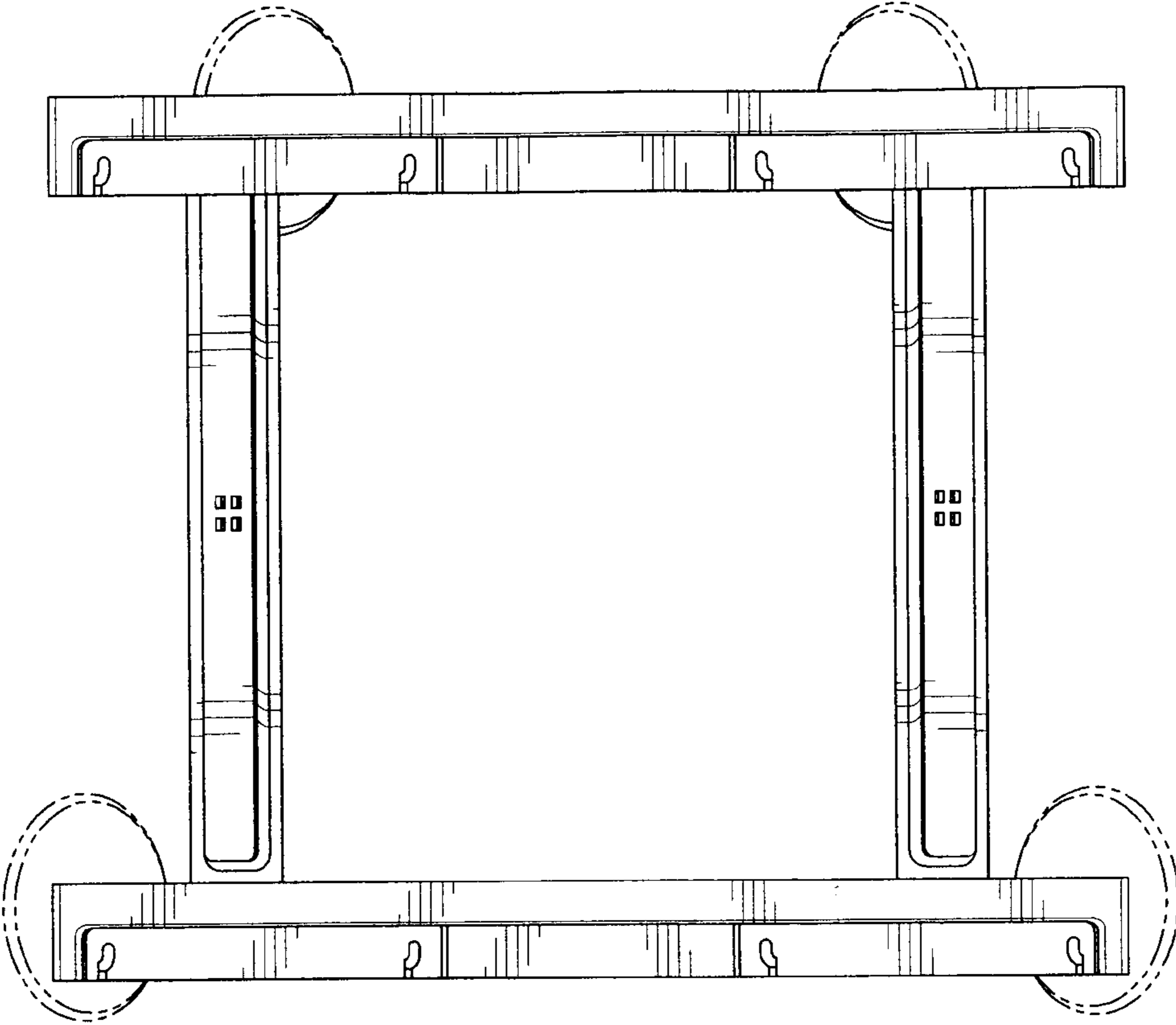


Fig-3

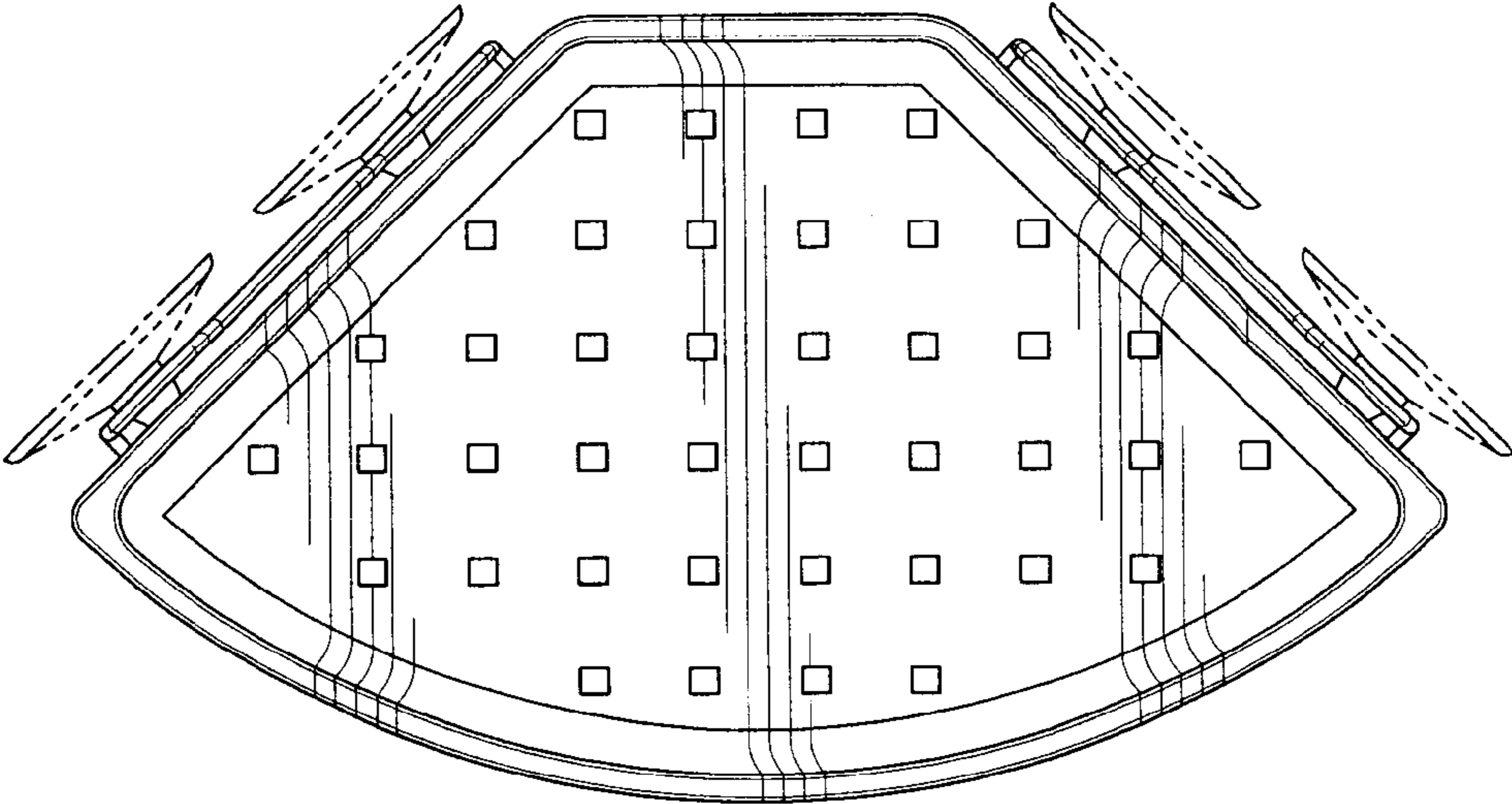


Fig-4