



US00D513141S

(12) **United States Design Patent**  
**Mehmen et al.**

(10) **Patent No.: US D513,141 S**

(45) **Date of Patent: \*\* Dec. 27, 2005**

(54) **DRAWER**

(75) Inventors: **Robert Mehmen**, Shell Rock, IA (US);  
**Daniel Jackson**, Center Point, IA (US);  
**Fred Ritchie**, Cedar Falls, IA (US);  
**Deonna Fritz**, Cedar Falls, IA (US);  
**Mark Ryan**, Waterloo, IA (US)

(73) Assignee: **Waterloo Industries, Inc.**, Waterloo, IA (US)

(\*\*) Term: **14 Years**

(21) Appl. No.: **29/201,533**

(22) Filed: **Mar. 17, 2004**

(51) **LOC (6) Cl. .... 06-06**

(52) **U.S. Cl. .... D6/510**

(58) **Field of Search** ..... D6/396, 432, 441,  
D6/445, 446, 448, 510; 312/209, 249.1,  
249.8, 249.9, 249.11, 273, 107, 109, 291,  
303, 308, 330.1, 348.1

(56) **References Cited**

**U.S. PATENT DOCUMENTS**

D114,444 S \* 4/1939 Fay ..... D6/446  
D255,632 S 7/1980 Litchfield et al.  
D258,709 S 3/1981 Litchfield et al.  
D258,792 S 4/1981 Litchfield et al.  
D264,660 S 6/1982 Rock et al.  
D278,664 S 5/1985 Ferdinand et al.  
D310,748 S 9/1990 Embree et al.

D326,381 S 5/1992 Heiligenthal et al.  
D386,634 S 11/1997 Daus  
D388,986 S 1/1998 Dittberner  
D404,599 S 1/1999 Douglas  
D404,945 S 2/1999 Simpkins et al.  
D408,175 S \* 4/1999 Daniels et al. .... D6/510  
D436,754 S \* 1/2001 Bellini ..... D6/445  
6,174,035 B1 \* 1/2001 Flannery et al. .... 312/405  
D458,780 S 6/2002 Siepmann et al.  
D477,154 S \* 7/2003 Benn ..... D6/446  
D477,479 S 7/2003 Henderson et al.  
D479,723 S 9/2003 Braun et al.

\* cited by examiner

*Primary Examiner*—Cathron C. Brooks

(74) *Attorney, Agent, or Firm*—Calfee, Halter & Griswold LLP

(57) **CLAIM**

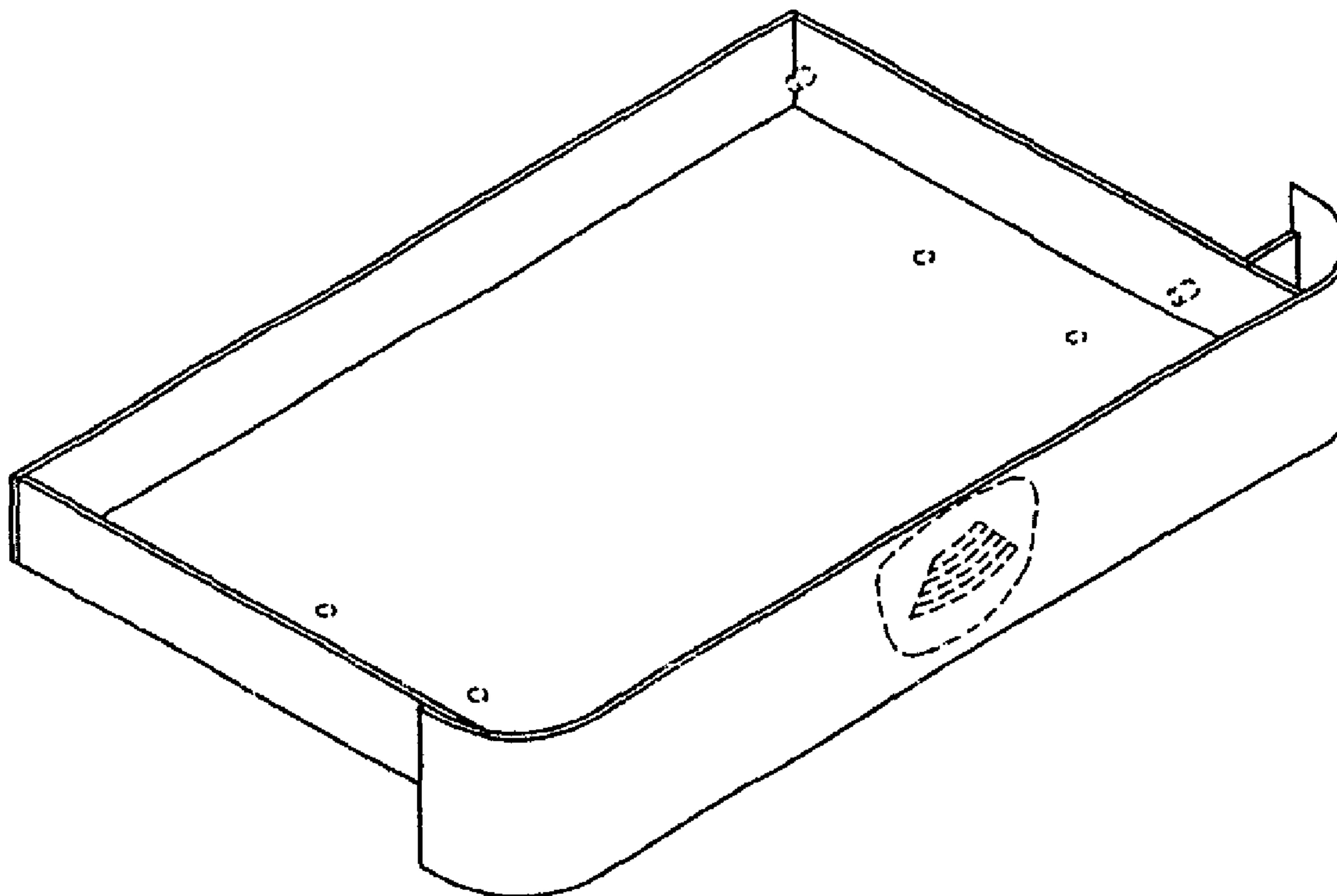
The ornamental design for a drawer, as shown and described.

**DESCRIPTION**

FIG. 1 is a perspective view of a drawer of the new design; FIG. 2 is a top view of the drawer of FIG. 1; FIG. 3 is a front view of the drawer of FIG. 1; FIG. 4 is a side view of the drawer of FIG. 1; FIG. 5 is a bottom view of the drawer of FIG. 1; and, FIG. 6 is a side view of the drawer of FIG. 1.

The portions of the Figures shown in phantom lines are not part of the claimed design but are for illustration only.

**1 Claim, 2 Drawing Sheets**



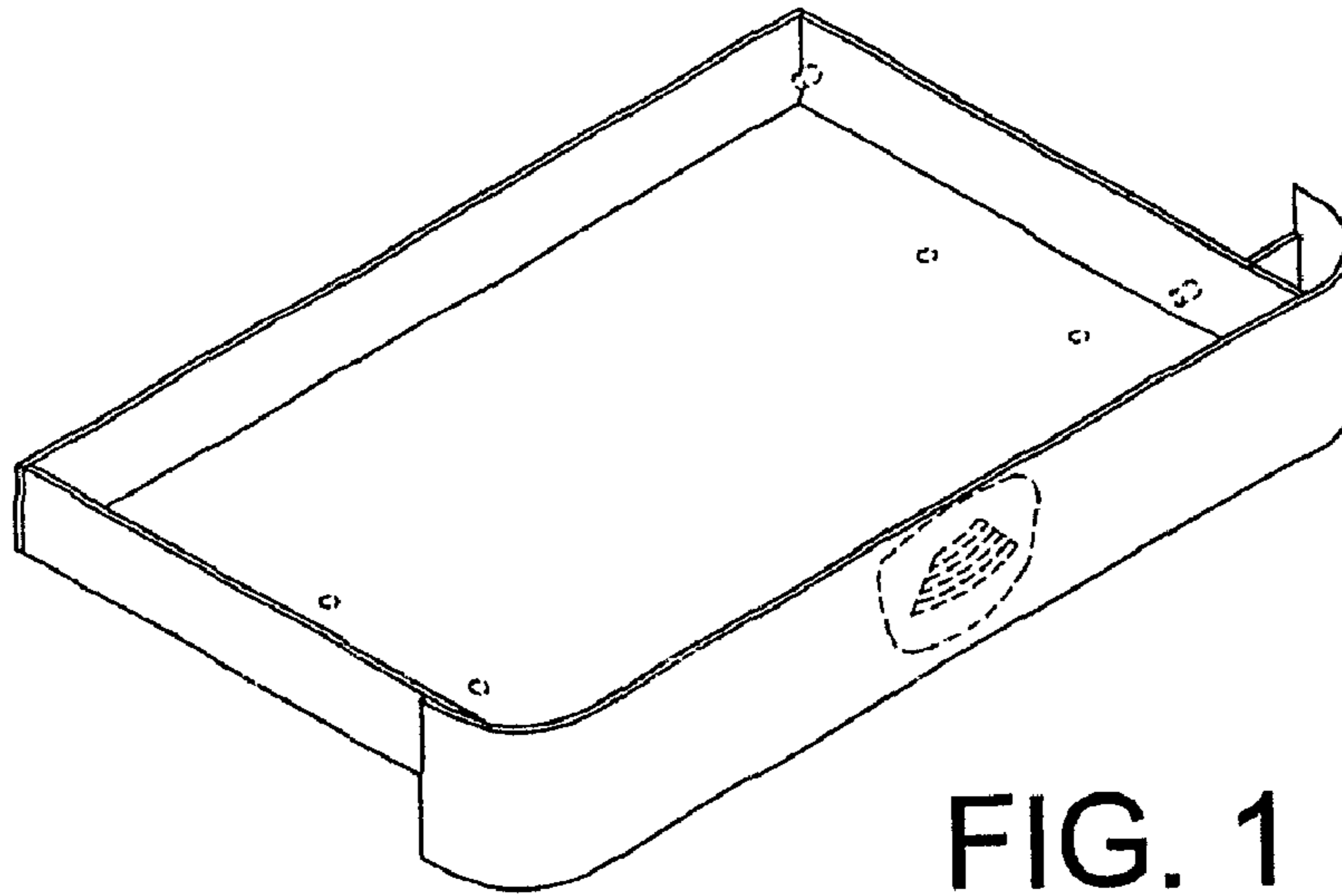


FIG. 1

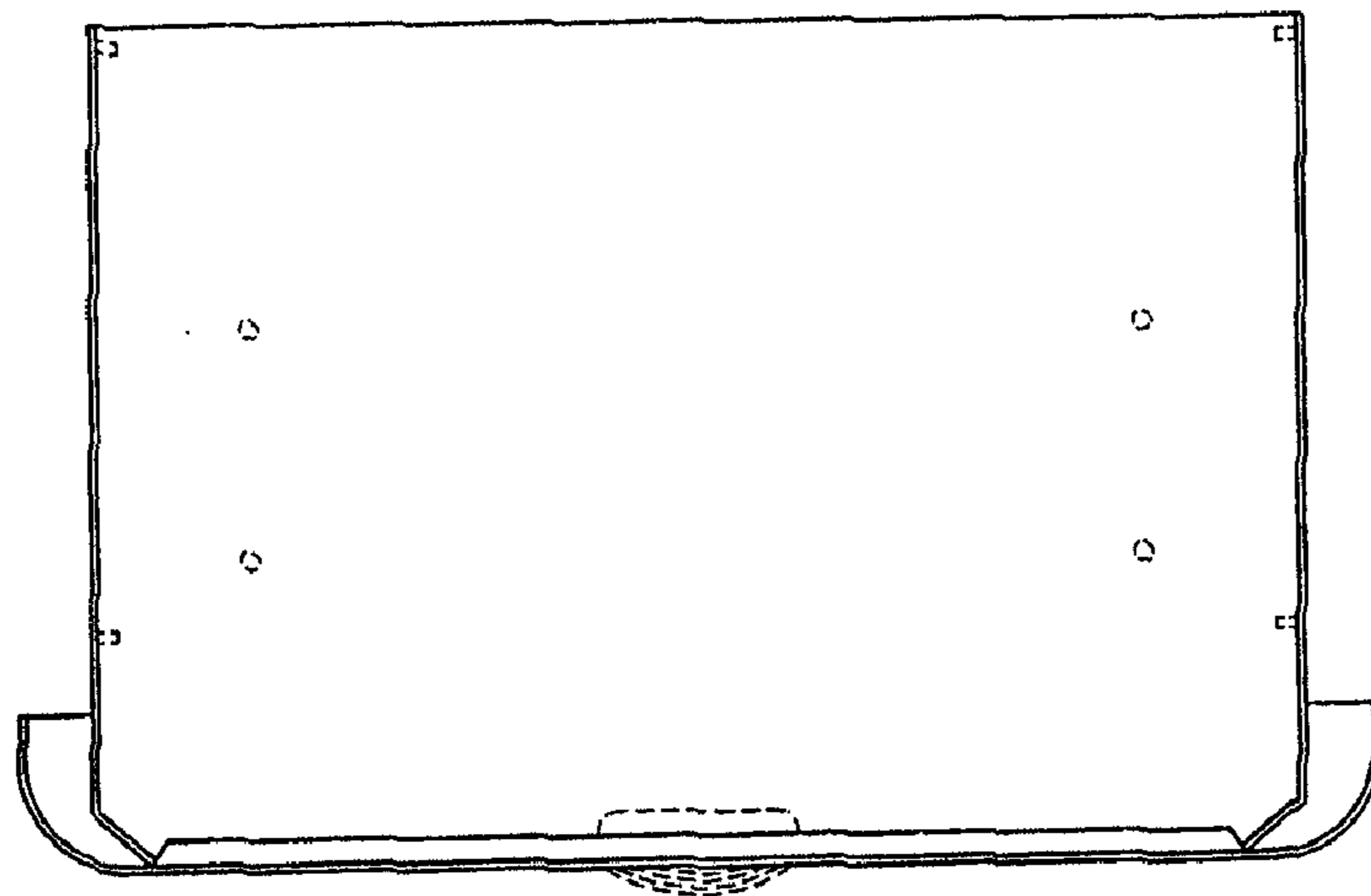


FIG. 2

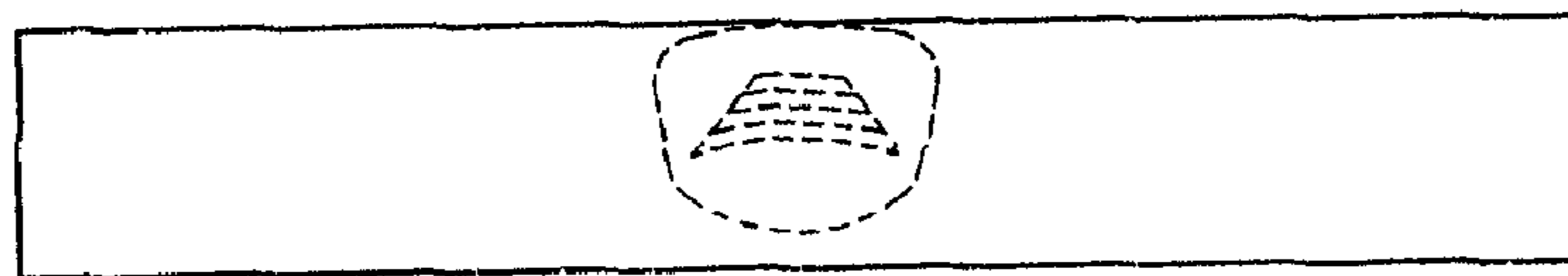


FIG. 3

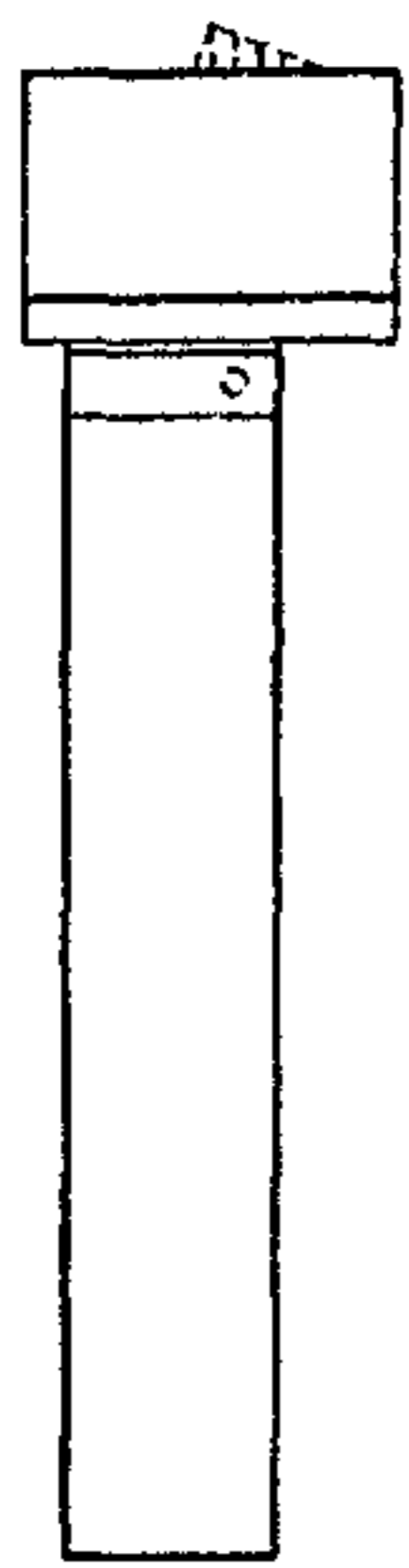


FIG. 4

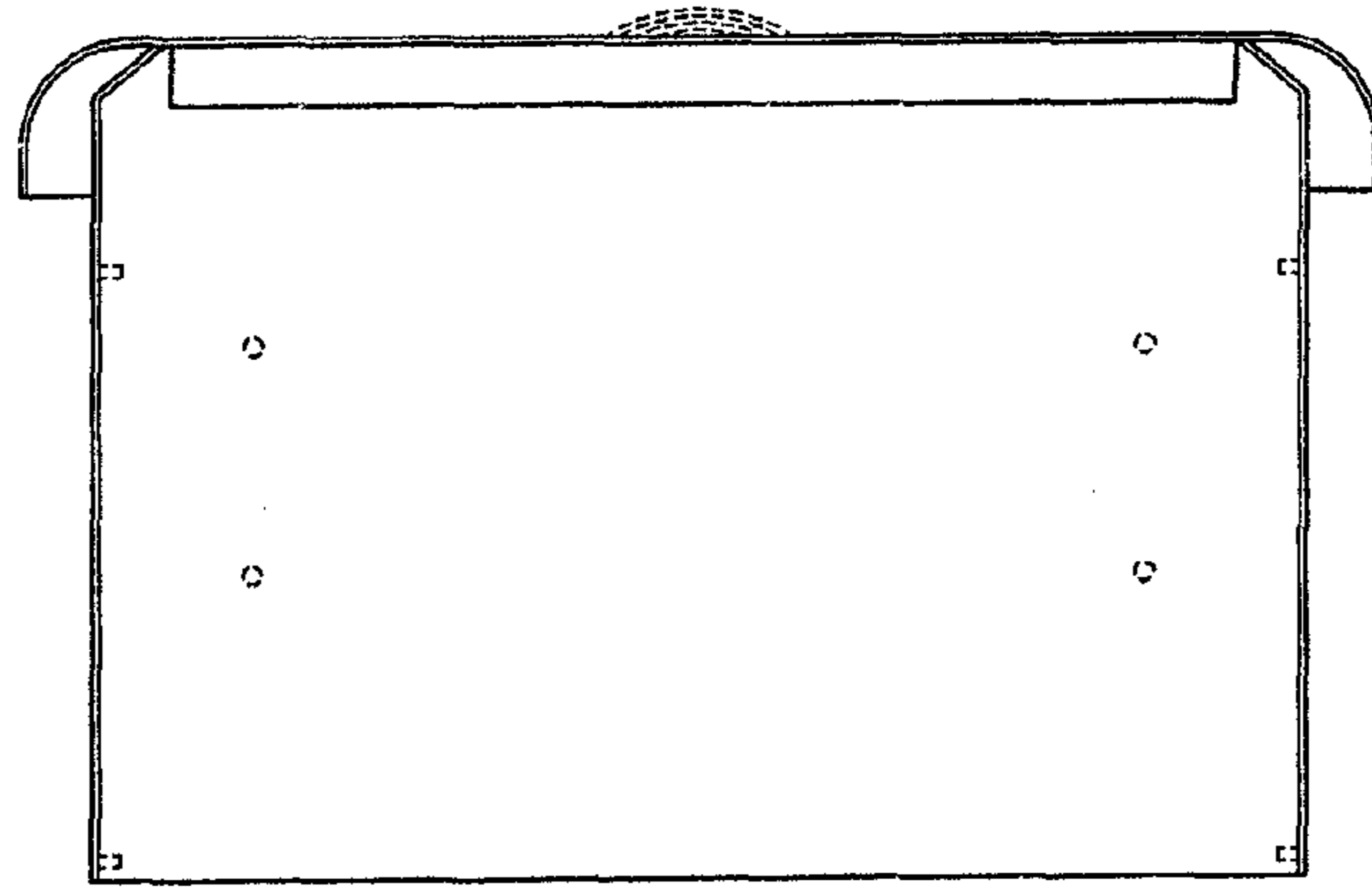


FIG. 5

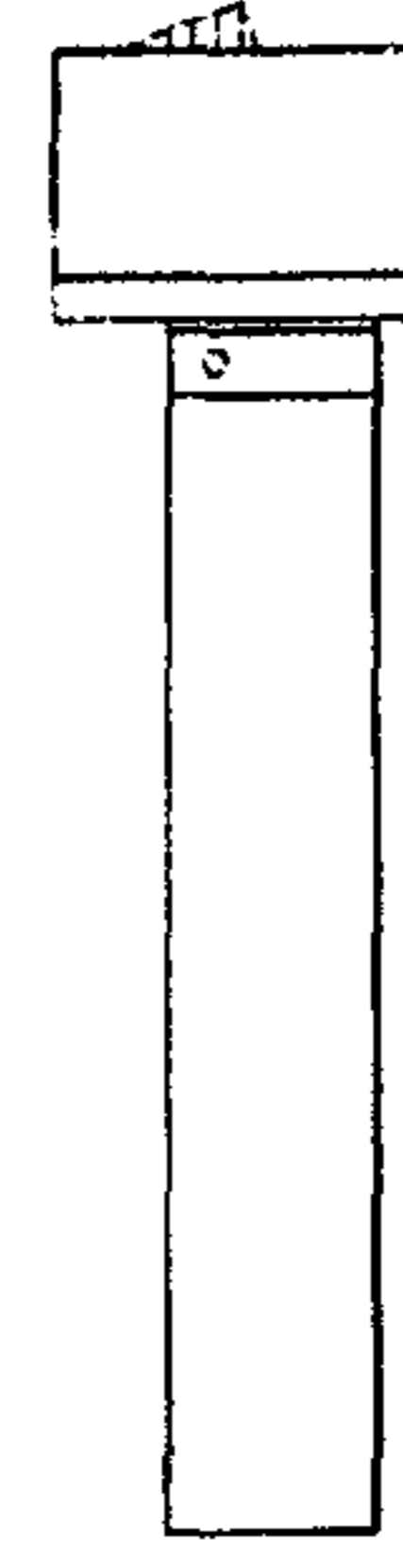


FIG. 6