



US00D513140S

(12) **United States Design Patent**  
**Strong**

(10) **Patent No.:** **US D513,140 S**  
(45) **Date of Patent:** **\*\* Dec. 27, 2005**

- (54) **SUPPORT FOR A TABLE**
- (75) Inventor: **L. Curtis Strong**, Clearfield, UT (US)
- (73) Assignee: **Lifetime Products, Inc.**, Clearfield, UT (US)
- (\*\*) Term: **14 Years**
- (21) Appl. No.: **29/208,923**
- (22) Filed: **Jul. 8, 2004**
- (51) **LOC (6) Cl.** ..... **06-03**
- (52) **U.S. Cl.** ..... **D6/499**
- (58) **Field of Search** ..... D6/480-489, 495, D6/497-499, 491, 492, 462-465; 108/151, 153.1, 155, 156, 157.1, 161, 129, 130, 132; 248/188, 188.1, 188.7, 188.8

- D323,947 S 2/1992 Pomeroy et al.
- 5,109,778 A 5/1992 Berkowitz et al.
- D330,299 S 10/1992 Saotome
- 5,279,233 A 1/1994 Cox
- 5,284,100 A 2/1994 Thorn
- 5,341,750 A \* 8/1994 Fuchs ..... 108/64
- 5,357,872 A 10/1994 Wilmore
- 5,421,272 A 6/1995 Wilmore
- D379,127 S 5/1997 Schacht
- 5,636,578 A 6/1997 Rizzi
- D380,632 S 7/1997 Schacht
- 5,694,865 A 12/1997 Raab
- 5,732,637 A 3/1998 Raab
- 5,865,128 A 2/1999 Tarnay
- 5,868,081 A 2/1999 Raab
- 5,921,623 A 7/1999 Nye et al.
- D414,626 S 10/1999 Collins et al.
- D419,332 S 1/2000 Collins et al.
- D420,527 S 2/2000 Pinch et al.
- D423,258 S 4/2000 Pinch
- 6,109,687 A 8/2000 Nye et al.
- 6,112,674 A 9/2000 Stanford
- 6,422,157 B2 7/2002 Rumph

(56) **References Cited**

**U.S. PATENT DOCUMENTS**

- 1,757,260 A 5/1930 Silverman
- D99,726 S 5/1936 Powell
- D115,103 S 6/1939 Erickson
- D151,780 S 11/1948 Low
- D157,649 S 3/1950 White
- 2,689,158 A 9/1954 Mahr
- D180,283 S 5/1957 Hoven et al.
- 3,267,886 A \* 8/1966 Glass ..... 108/127
- 3,349,728 A 10/1967 Barecki et al.
- 3,357,729 A 12/1967 Krueger
- D224,876 S 10/1972 Acton
- 3,695,567 A \* 10/1972 Weagle ..... 248/188.6
- D236,058 S 7/1975 Kramer
- D239,680 S 4/1976 Szucs
- D242,008 S \* 10/1976 Salsgiver ..... D6/474
- D248,139 S 6/1978 Petersen
- 4,191,111 A 3/1980 Emmert
- D279,741 S \* 7/1985 Bromley ..... D6/480
- 4,727,816 A 3/1988 Virtue
- 4,827,851 A 5/1989 Diffrient
- 4,838,180 A 6/1989 Gutgsell
- 4,841,877 A 6/1989 Virtue
- 4,951,576 A 8/1990 Cobos et al.
- 5,056,439 A 10/1991 Hodge, Jr. et al.

(Continued)

*Primary Examiner*—Janice E. Seeger  
(74) *Attorney, Agent, or Firm*—Workman Nydegger

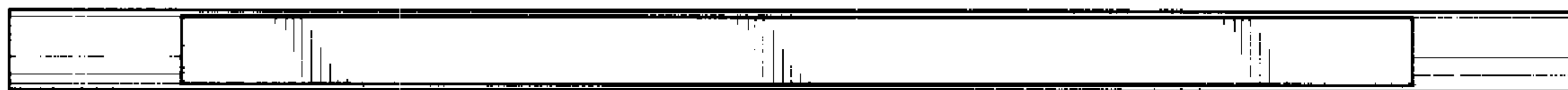
(57) **CLAIM**

The ornamental design for a support for a table, as shown and described.

**DESCRIPTION**

FIG. 1 is a perspective view of an exemplary embodiment of a support for a table;  
FIG. 2 is a front view of the support for a table shown in FIG. 1, with the rear view being a mirror image thereof;  
FIG. 3 is a right side view of the support for a table shown in FIG. 1, with the left side being a mirror image thereof;  
FIG. 4 is a top view of the support for a table shown in FIG. 1; and,  
FIG. 5 is a bottom view of the support for a table shown in FIG. 1.  
The broken lines shown in the figures are for illustrative purposes only and form no part of the claimed design.

**1 Claim, 2 Drawing Sheets**



# US D513,140 S

Page 2

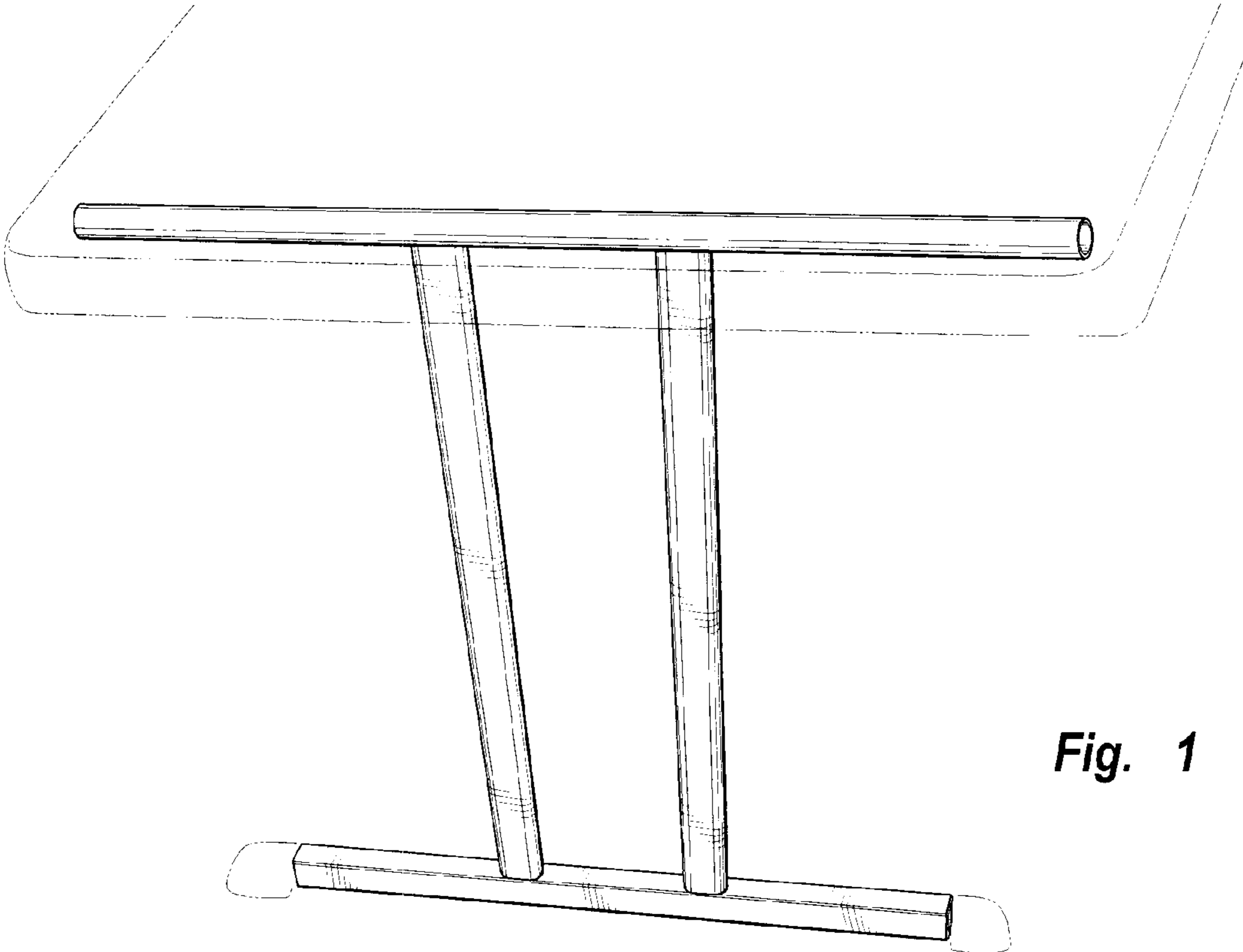
---

## U.S. PATENT DOCUMENTS

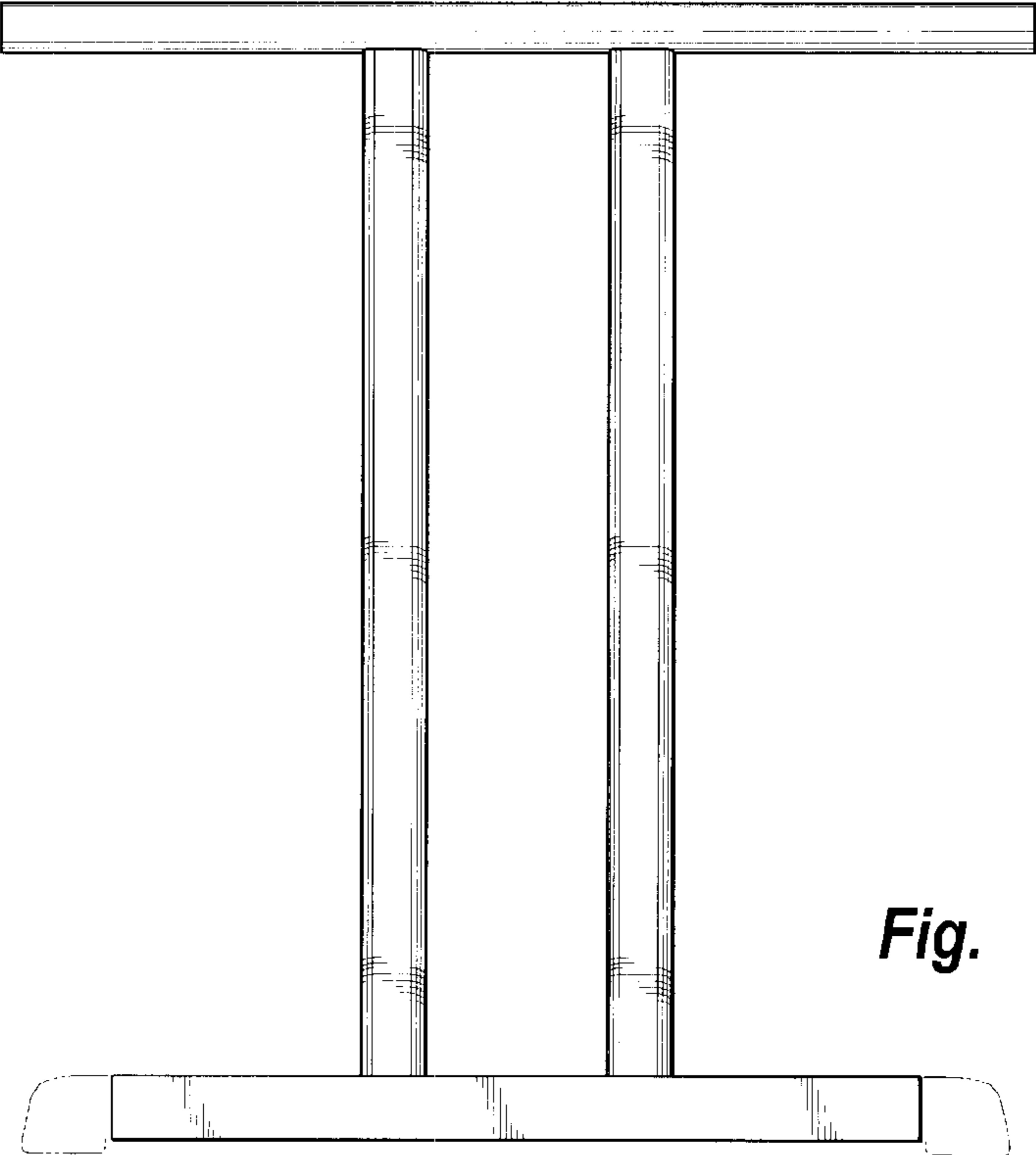
D469,271 S 1/2003 Avrahami  
D469,981 S 2/2003 Buono  
D474,628 S 5/2003 Chen

D476,169 S 6/2003 Buono  
D476,823 S 7/2003 Jackson  
D488,998 S 4/2004 Bosman

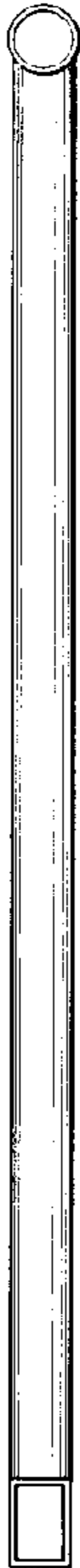
\* cited by examiner



*Fig. 1*



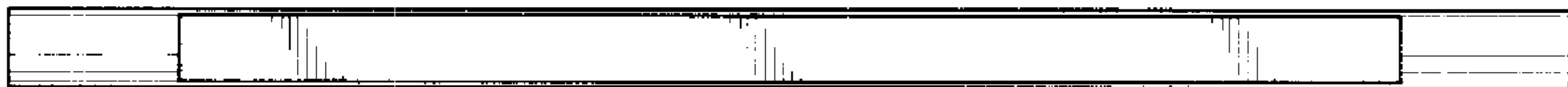
*Fig. 2*



*Fig. 3*



*Fig. 4*



*Fig. 5*