

US00D513132S

(12) **United States Design Patent**
Yamazaki et al.

(10) **Patent No.:** **US D513,132 S**

(45) **Date of Patent:** **** Dec. 27, 2005**

(54) **VEHICLE SEAT**

(75) Inventors: **Yuichi Yamazaki**, Rancho Palos Verdes, CA (US); **Jamie Klopp**, Hermosa Beach, CA (US)

(73) Assignee: **Honda Motor Co., Ltd.**, Tokyo (JP)

(**) Term: **14 Years**

(21) Appl. No.: **29/219,858**

(22) Filed: **Dec. 23, 2004**

(51) **LOC (6) Cl.** **06-01**

(52) **U.S. Cl.** **D6/356; D6/381**

(58) **Field of Search** D6/334-336, 356, D6/367, 374, 375, 381, 500-502; 297/232, 391, 396, 452.34, 452.35

(56) **References Cited**

U.S. PATENT DOCUMENTS

D83,720 S * 3/1931 Cleaveland D6/356
D148,352 S * 1/1948 Herman D6/381

D217,962 S * 7/1970 Butcher D6/356
D355,777 S * 2/1995 Emoto D6/356
5,704,685 A * 1/1998 Handa et al. 297/391
D391,088 S * 2/1998 Sacco et al. D6/356
D414,948 S * 10/1999 Slanec et al. D6/356
D461,321 S * 8/2002 Figueras Mitjans D6/356
D480,571 S * 10/2003 Yu D6/356
2005/0012367 A1 * 1/2005 Satani 297/232

* cited by examiner

Primary Examiner—Mimosa De

(74) *Attorney, Agent, or Firm*—Plumsea Law Group, LLC

(57) **CLAIM**

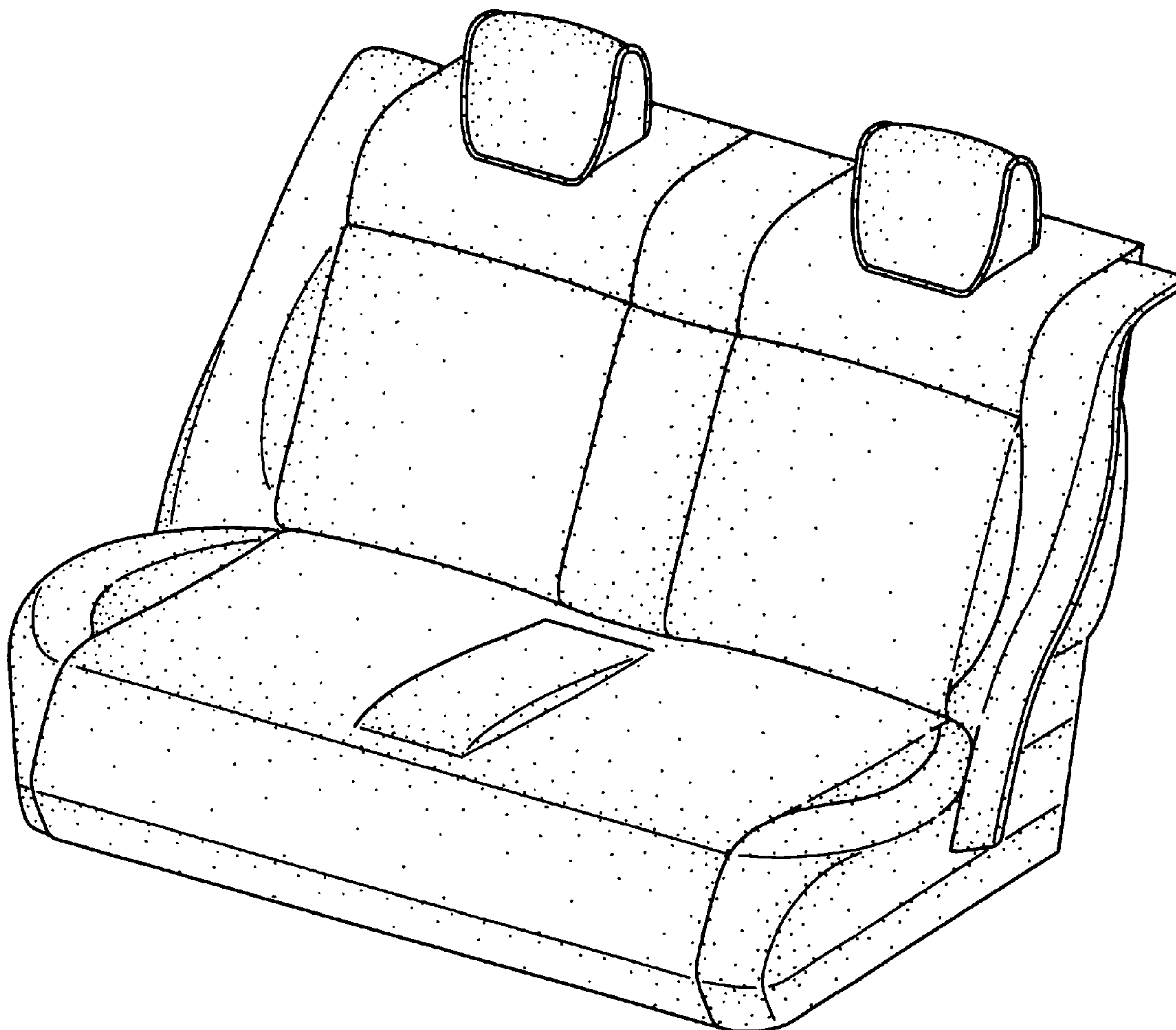
The ornamental design for a vehicle seat, as shown and described.

DESCRIPTION

FIG. 1 is a perspective view of a vehicle seat showing our new design; and,

FIG. 2 is a front elevational view thereof.

1 Claim, 2 Drawing Sheets



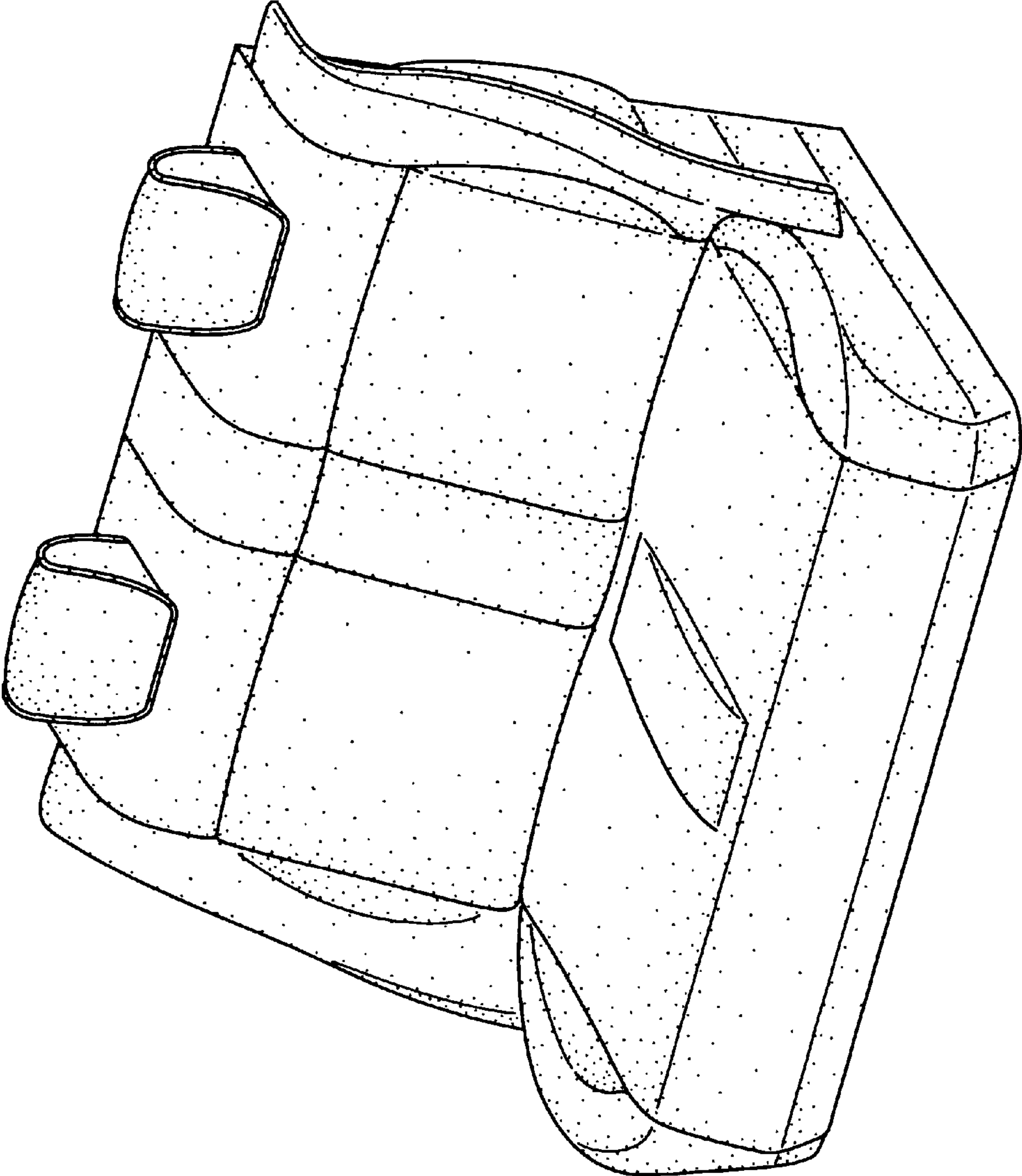


FIG. 1

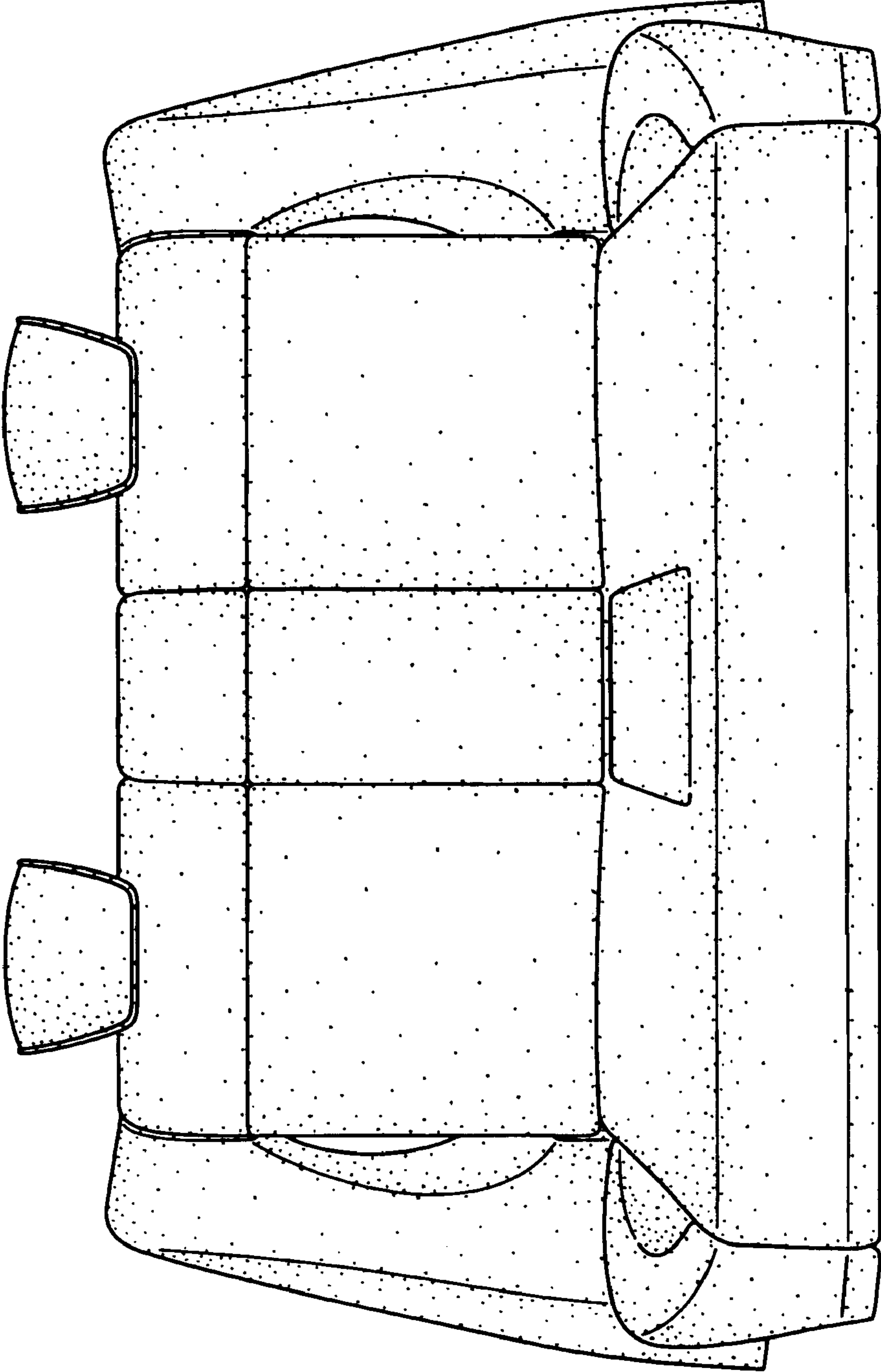


FIG. 2