

US00D513131S

(12) **United States Design Patent**
Nelson

(10) **Patent No.: US D513,131 S**
(45) **Date of Patent: ** Dec. 27, 2005**

(54) **CONVERTIBLE TABLE CHAIR**

D486,329 S * 2/2004 Strong et al. D6/487

(75) Inventor: **Brad Reed Nelson**, Snowmass Village,
CO (US)

* cited by examiner

(73) Assignee: **Board by Design**, Aspen, CO (US)

Primary Examiner—Janice E. Seeger

Assistant Examiner—Sydney R. Buffalow

(**) Term: **14 Years**

(74) *Attorney, Agent, or Firm*—Merchant & Gould P.C.

(21) Appl. No.: **29/213,800**

(57) **CLAIM**

The ornamental design for convertible table chair, as shown and described.

(22) Filed: **Sep. 22, 2004**

DESCRIPTION

(51) **LOC (6) Cl.** **06-01**

(52) **U.S. Cl.** **D6/335; D6/487**

(58) **Field of Search** D6/335–339, 349,
D6/353, 487, 429, 367, 480; 297/DIG. 1,
1, 17, 16.1, 118, 119, 124, 129, 130

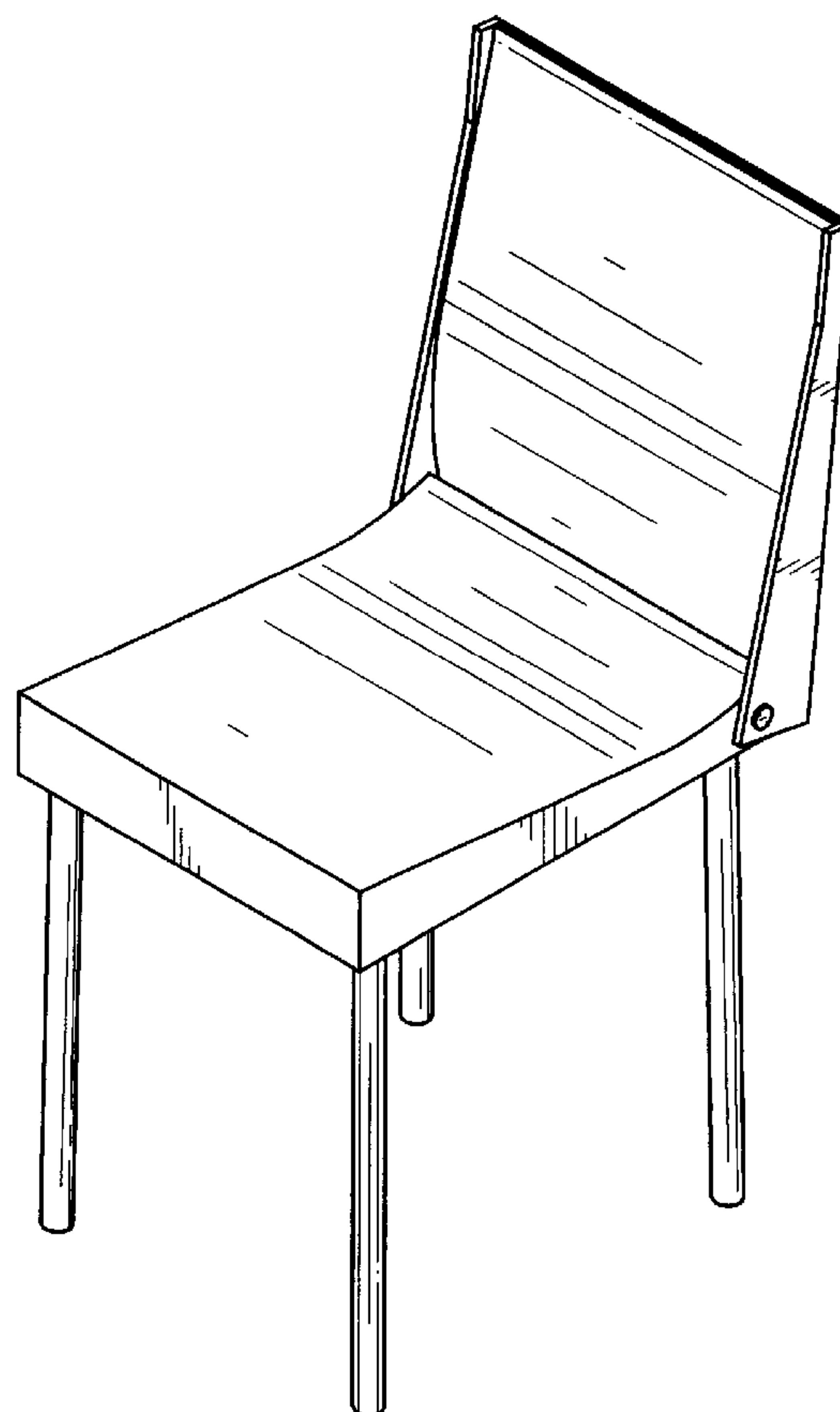
FIG. 1 is a perspective view of convertible table chair showing my new design in the form of a chair;
FIG. 2 is a left side elevation view thereof;
FIG. 3 is a right side elevation view thereof;
FIG. 4 is a back elevation view thereof;
FIG. 5 is a front elevation view thereof;
FIG. 6 is a top view thereof;
FIG. 7 is a bottom view thereof;
FIG. 8 is a perspective view thereof showing convertible table chair partially converted between a chair and a table; and,
FIG. 9 is a perspective view thereof showing convertible table chair in table form.

(56) **References Cited**

U.S. PATENT DOCUMENTS

- 224,272 A * 2/1880 Buell 297/118
- 924,396 A 6/1909 Spoljar
- 1,302,828 A 5/1919 Miller
- 1,735,162 A * 11/1929 Favour 359/450
- 1,944,335 A 1/1934 Van Wyck
- 1,984,238 A 12/1934 Spanopoulos
- 3,004,792 A * 10/1961 Bell 297/118
- D330,639 S * 11/1992 Munro et al. D6/335

1 Claim, 6 Drawing Sheets



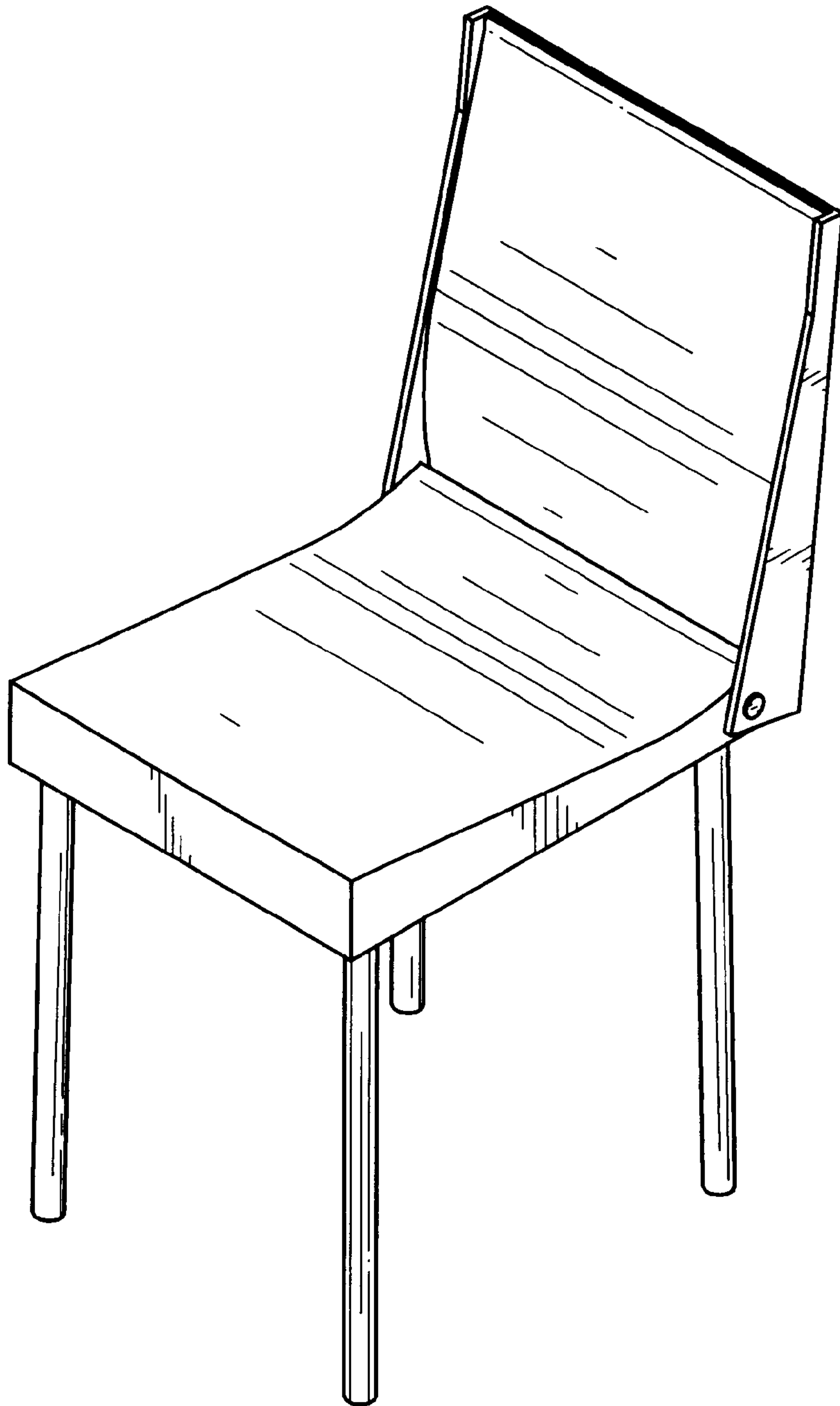


FIG. 1

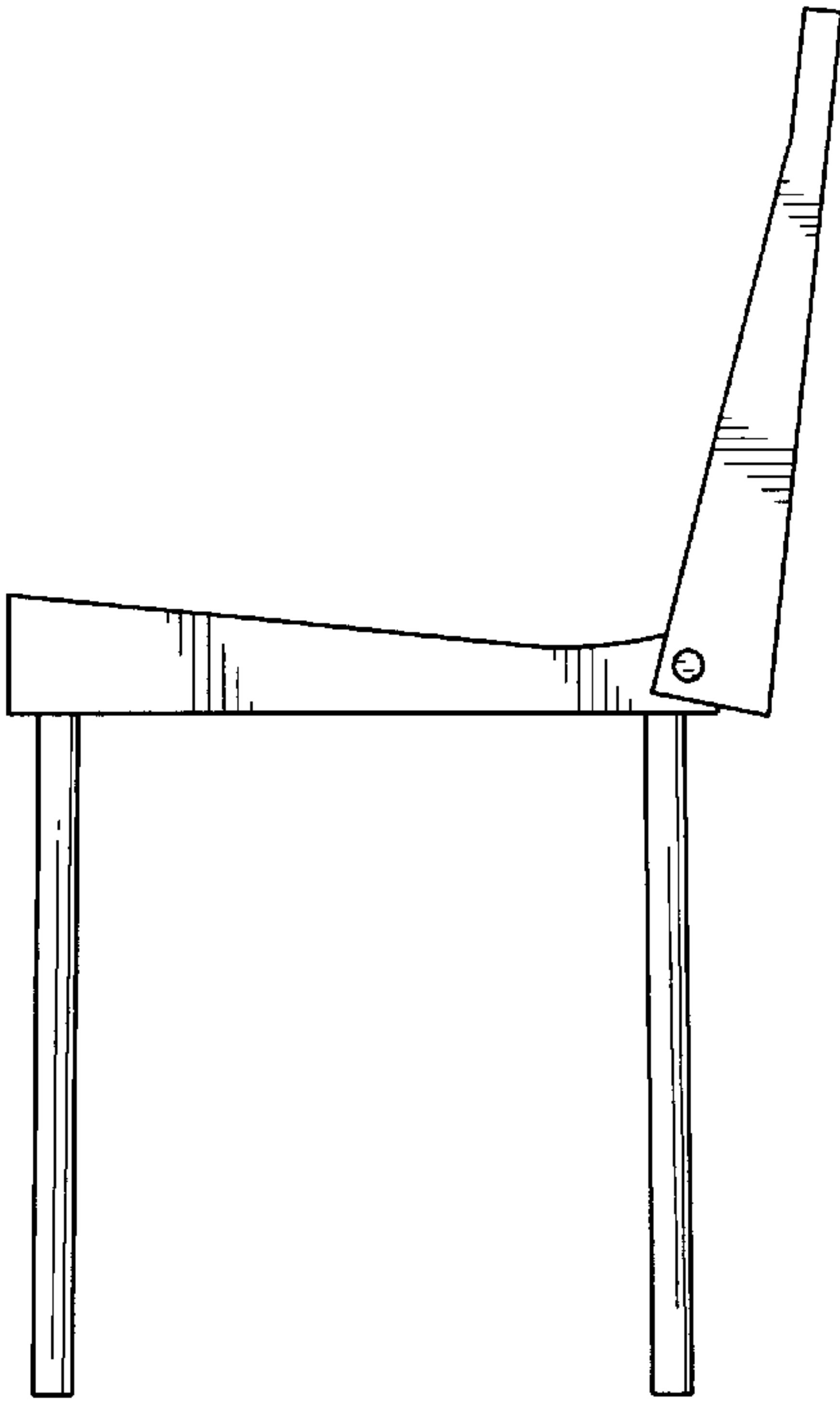


FIG.2

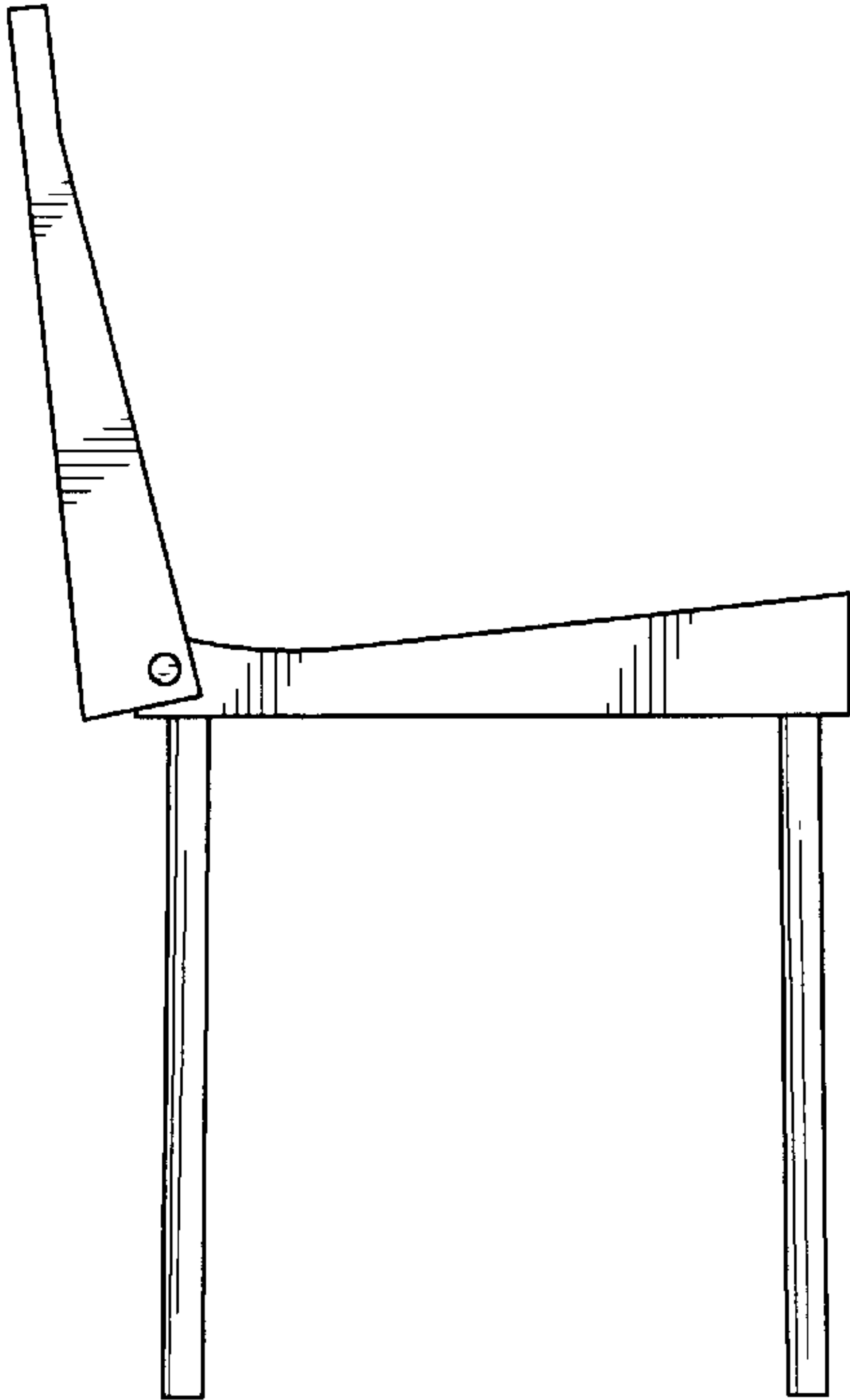


FIG.3

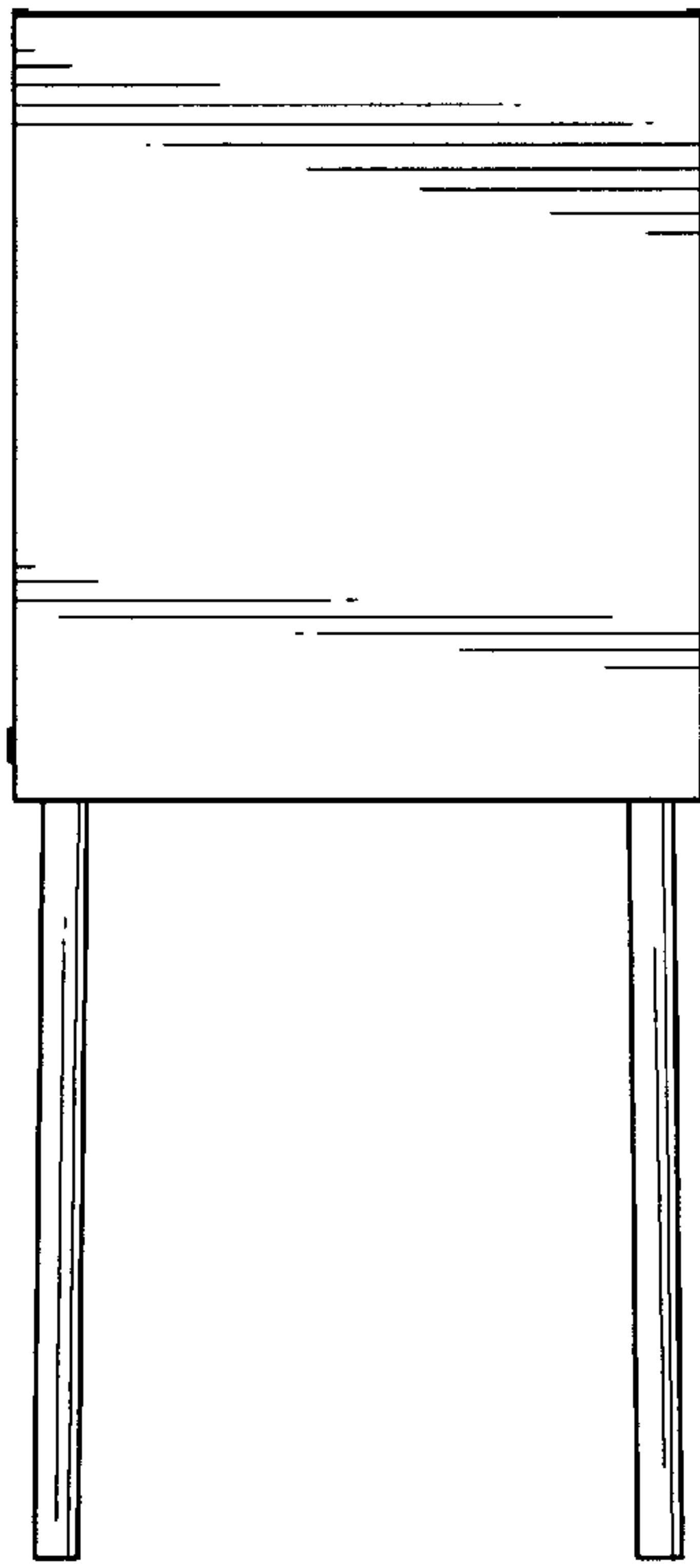


FIG.4

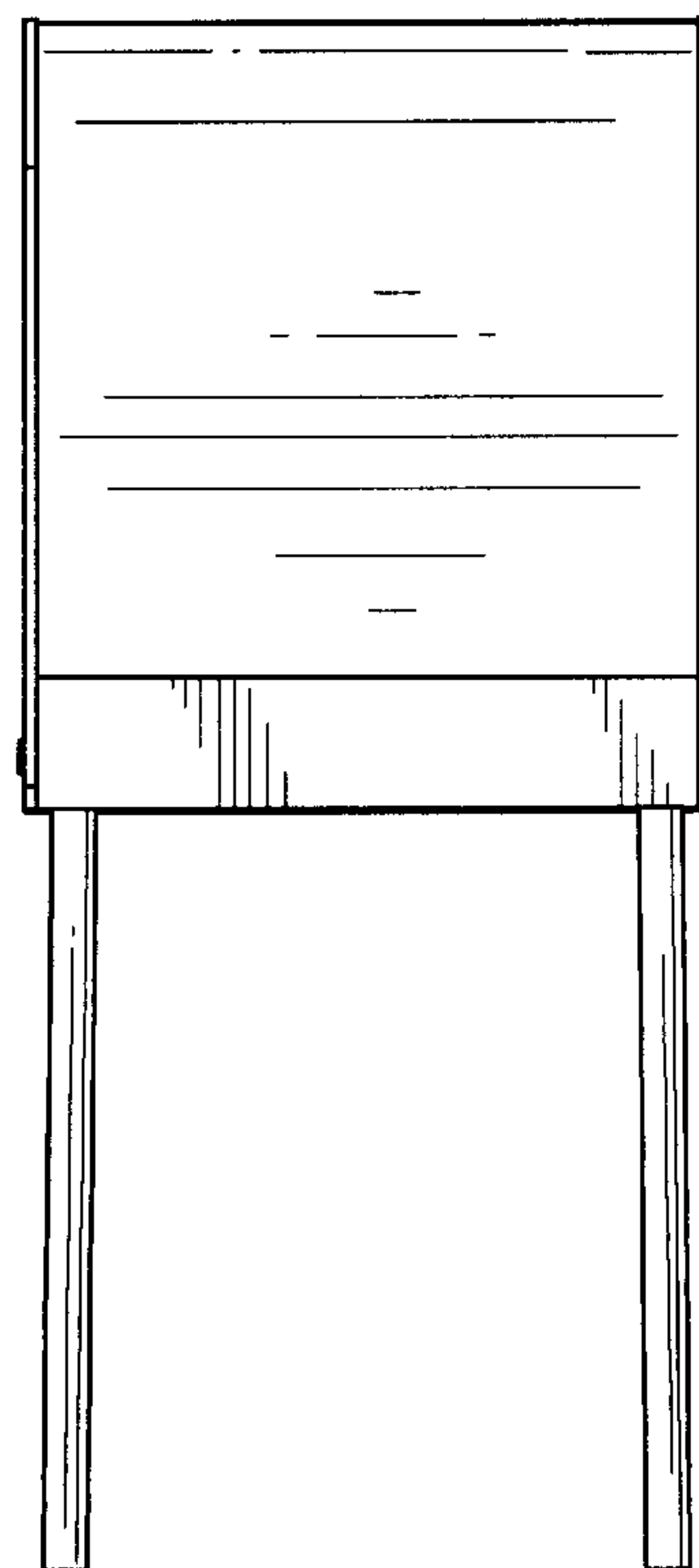


FIG.5

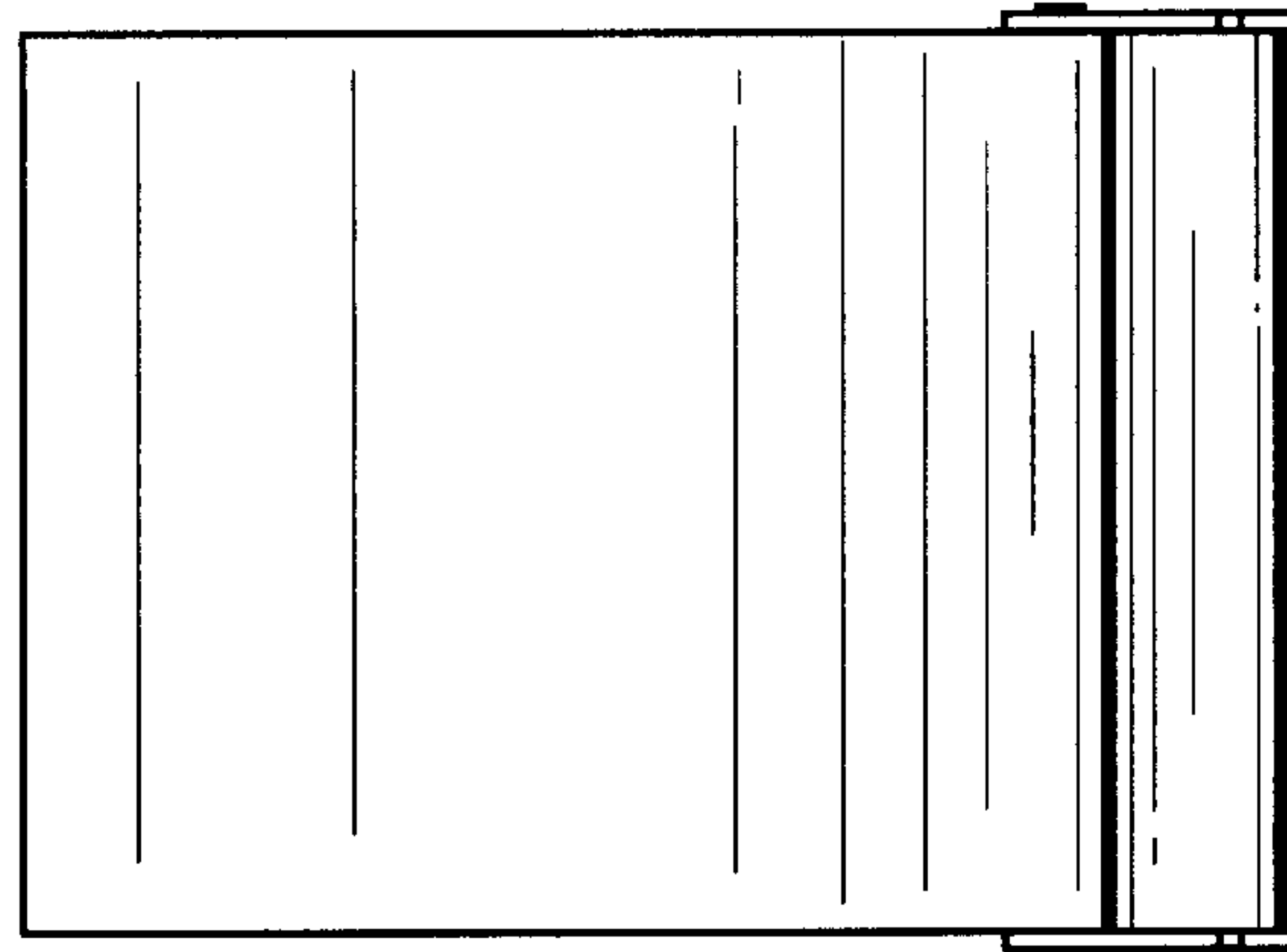


FIG. 6

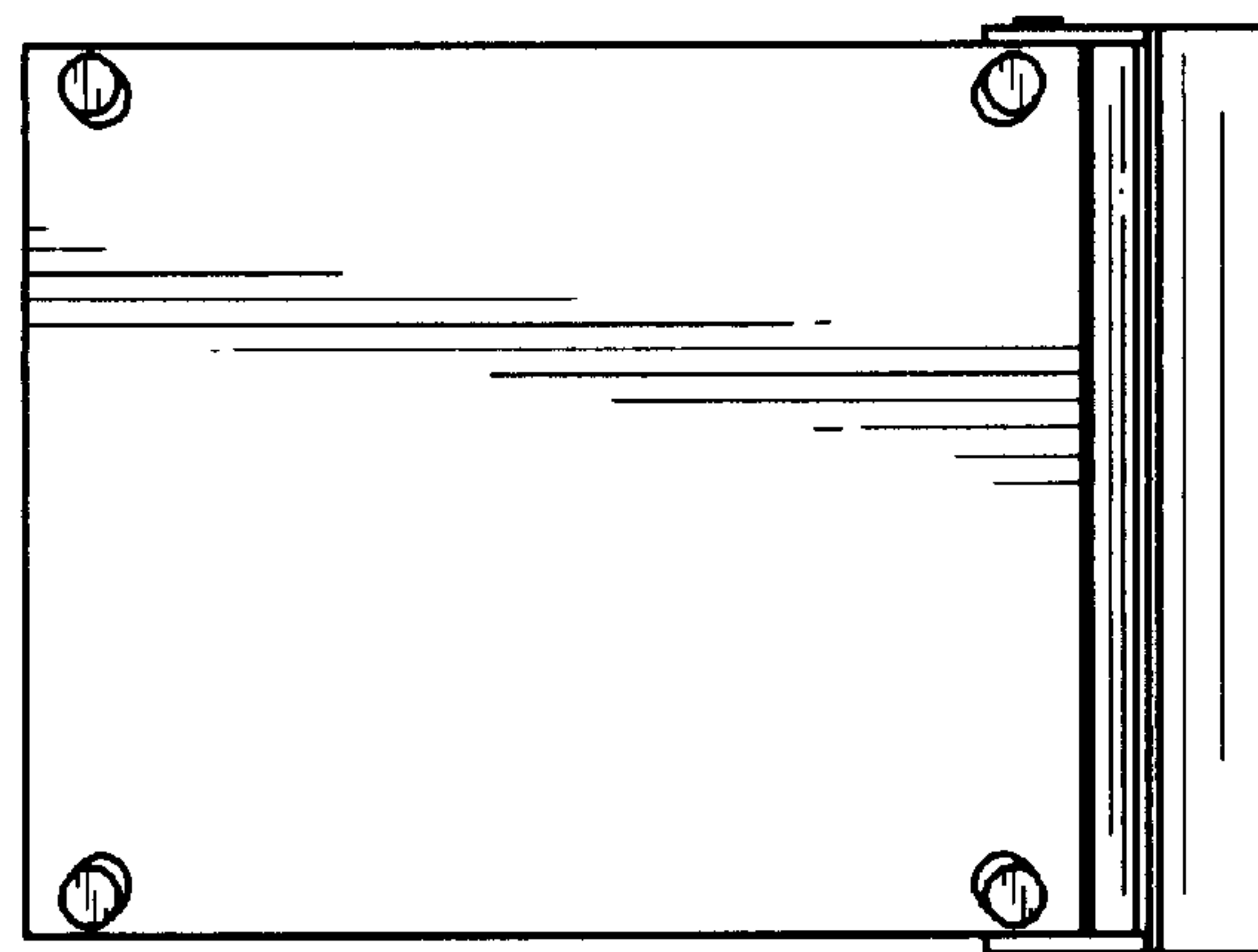


FIG. 7

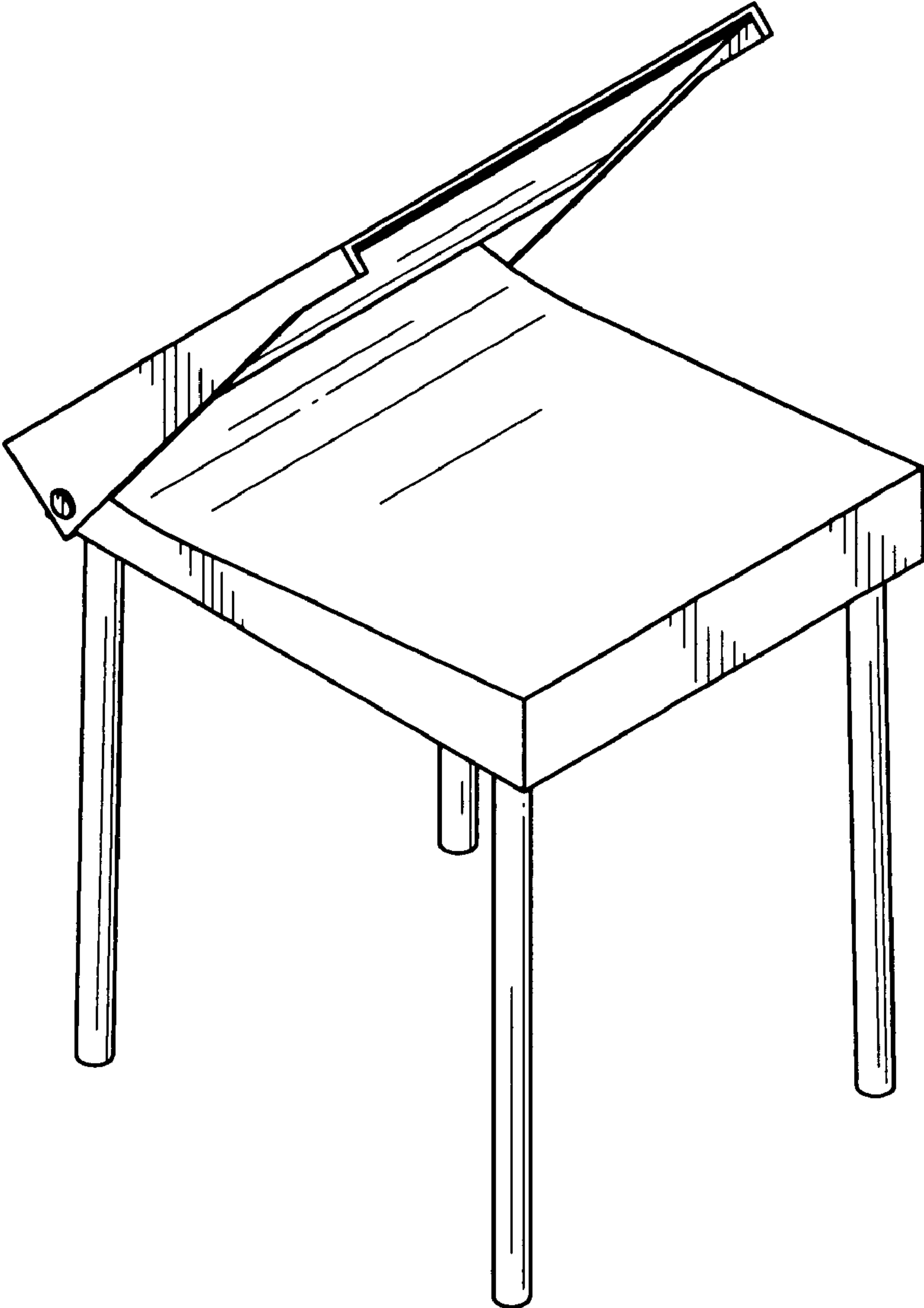


FIG.8

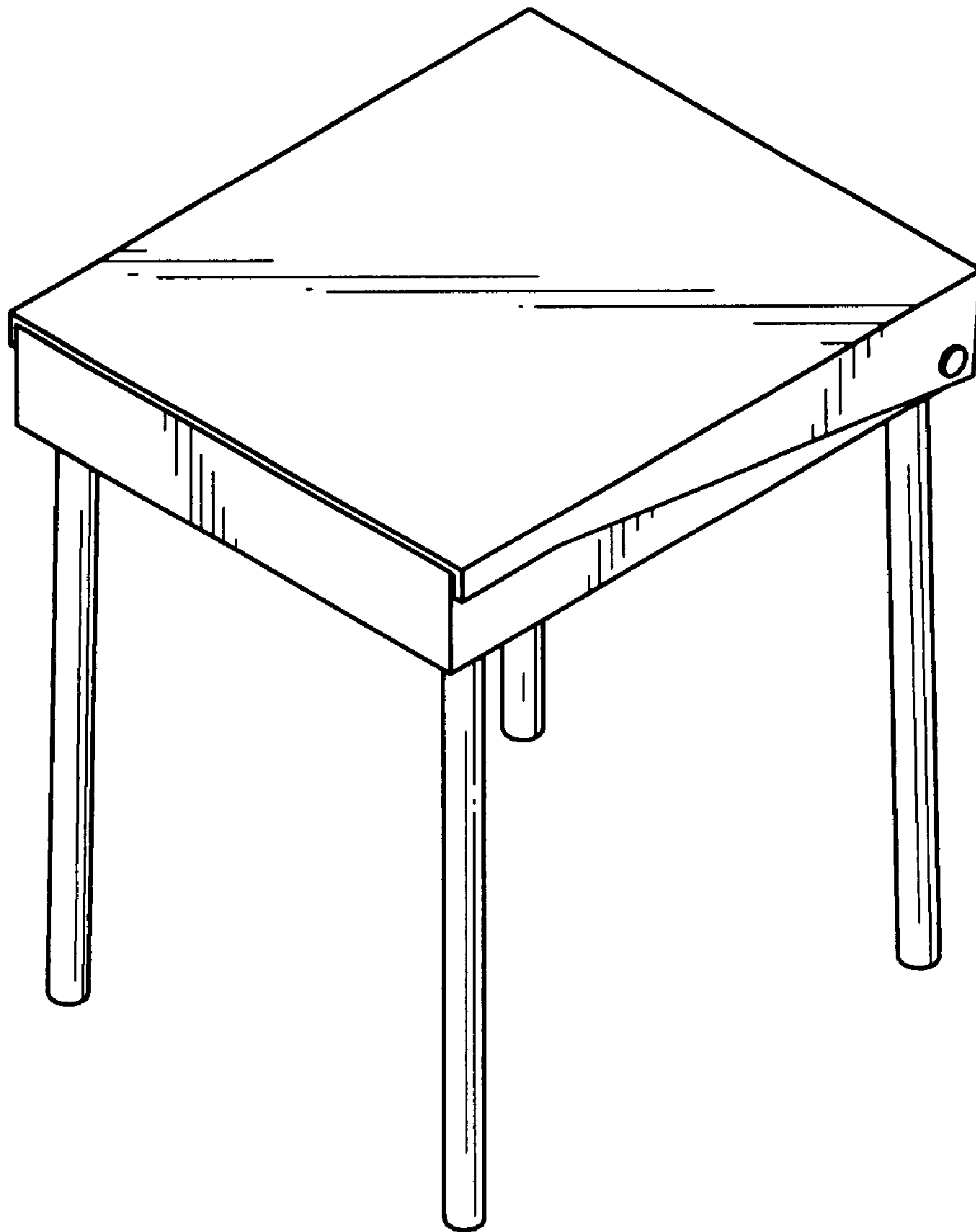


FIG.9