



US00D513129S

(12) **United States Design Patent**
Kampel et al.

(10) **Patent No.: US D513,129 S**
(45) **Date of Patent: ** Dec. 27, 2005**

(54) **HAIR BRUSH**

(75) Inventors: **Michelle A. Kampel**, Fairfield, CT (US); **Christie O. Cetnarski**, Greenwich, CT (US)

(73) Assignee: **Conair Corporation**, Stamford, CT (US)

(**) Term: **14 Years**

(21) Appl. No.: **29/221,097**

(22) Filed: **Jan. 11, 2005**

(51) **LOC (6) Cl. 04-02**

(52) **U.S. Cl. D4/133; D4/136**

(58) **Field of Search D4/132-134, 136, D4/138; 15/143.1, 159.1, 160, 186-188, 207.2; 132/120, 212, 262, 271, 313; 601/136, 137**

(56) **References Cited**

U.S. PATENT DOCUMENTS

1,628,299 A * 5/1927 Aufseher 15/160
D171,735 S * 3/1954 Schotland D4/133
D244,568 S * 6/1977 Lepisto et al. D4/136
D290,910 S * 7/1987 Steadman et al. D4/136
D467,736 S * 12/2002 Russell D4/138 X

FOREIGN PATENT DOCUMENTS

JP 2003019032 A * 1/2003 A46B/9/06
KR 108642 S * 11/1993

OTHER PUBLICATIONS

Ningbo Chungfat Brushes Co., Ltd. [online], 2000, Six hairbrushes along the top of the item box, [retrieved on Mar. 16, 2000] Retrieved from the Internet: <URL: http://hairbrush.addr.com/woodenpage1.htm>.*

Lung Tain (Brothers) Co., Ltd., [online], Apr. 2001, Hairbrush—Item No. 1217M/NB, p. 10, [retrieved on Mar. 20, 2005] Retrieved from the Internet: <URL: http://web.archive.org/web/*/http://www.lungtain.com>.*

* cited by examiner

Primary Examiner—Alan P. Douglas

Assistant Examiner—Lavone D. Tabor

(74) *Attorney, Agent, or Firm*—Lawrence Cruz; Steven A. Garner

(57) **CLAIM**

The ornamental design for a hair brush, as shown and described.

DESCRIPTION

FIG. 1 is a front view of a hair brush showing our new design;

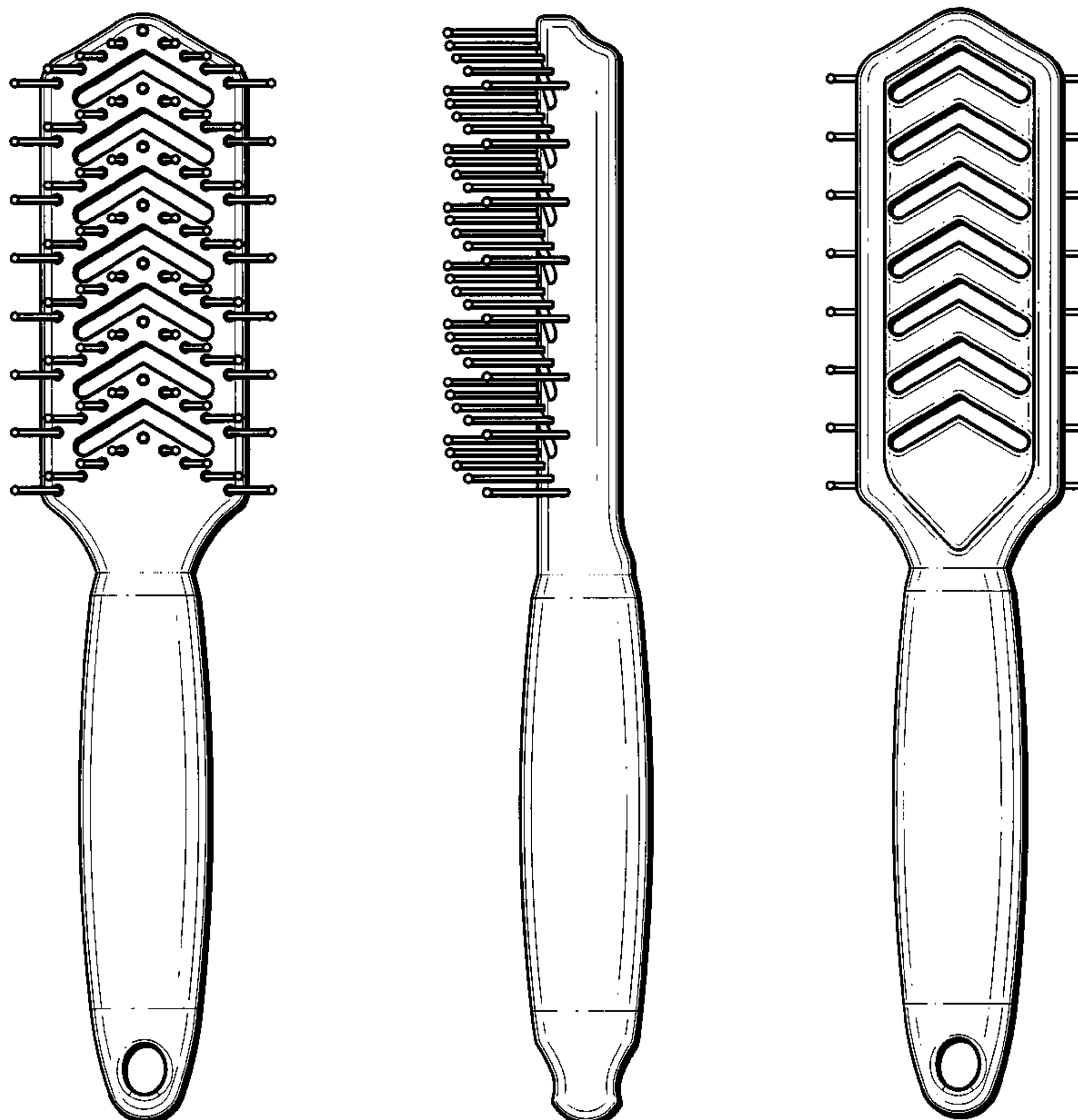
FIG. 2 is a right side view thereof;

FIG. 3 is a back view thereof;

FIG. 4 is a top view thereof; and,

FIG. 5 is a bottom view thereof.

1 Claim, 2 Drawing Sheets



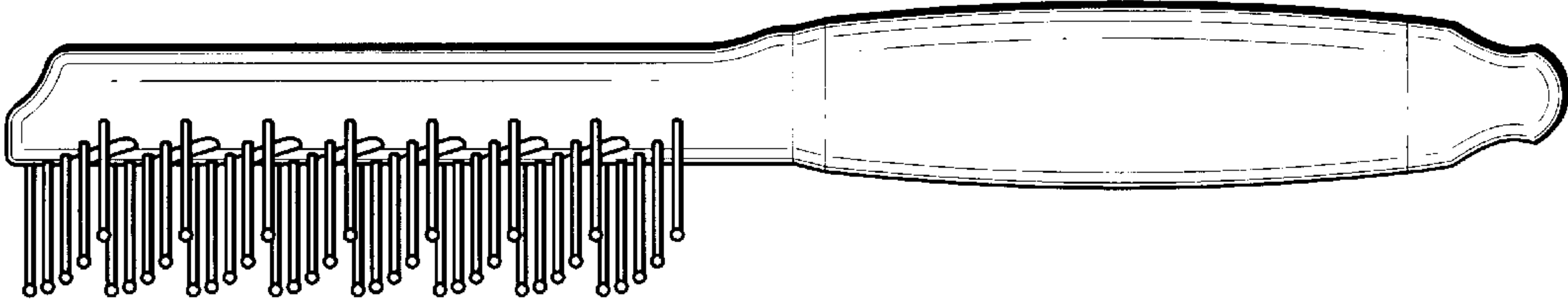


FIG. 2

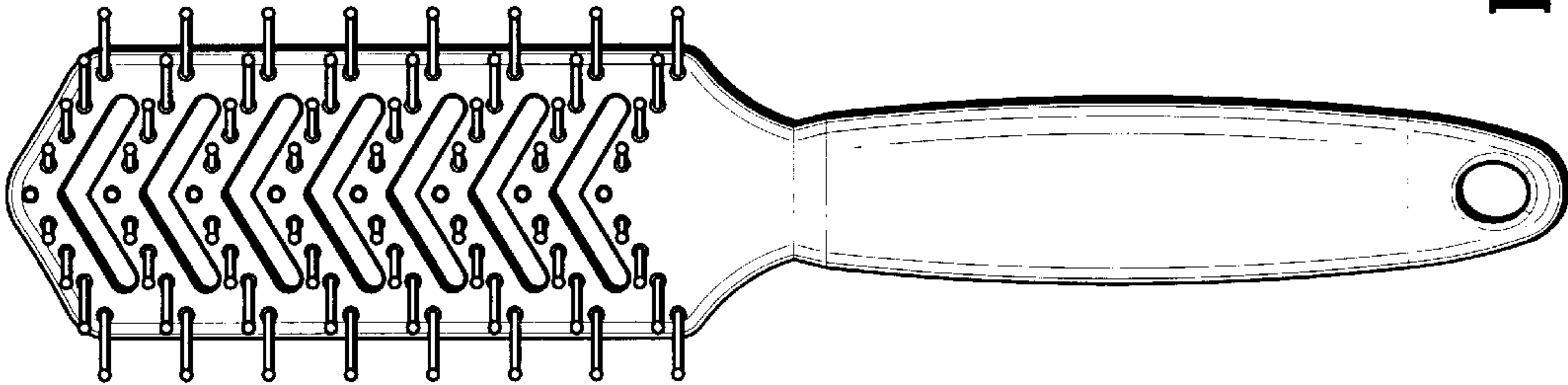


FIG. 1

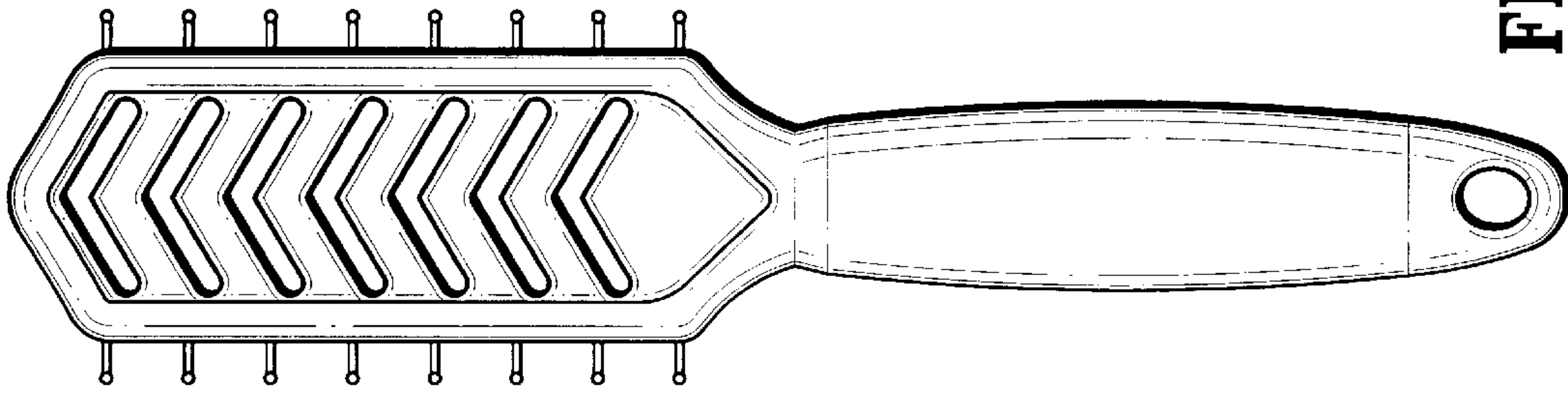


FIG. 3

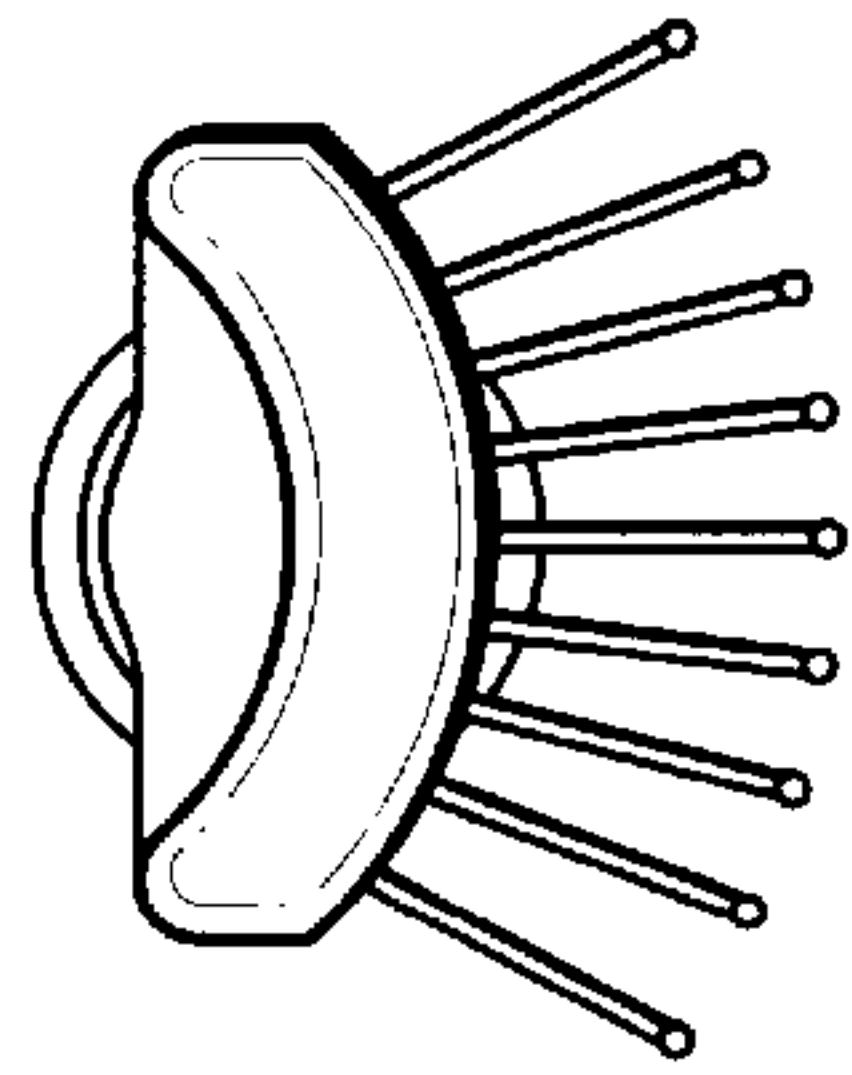


FIG. 4

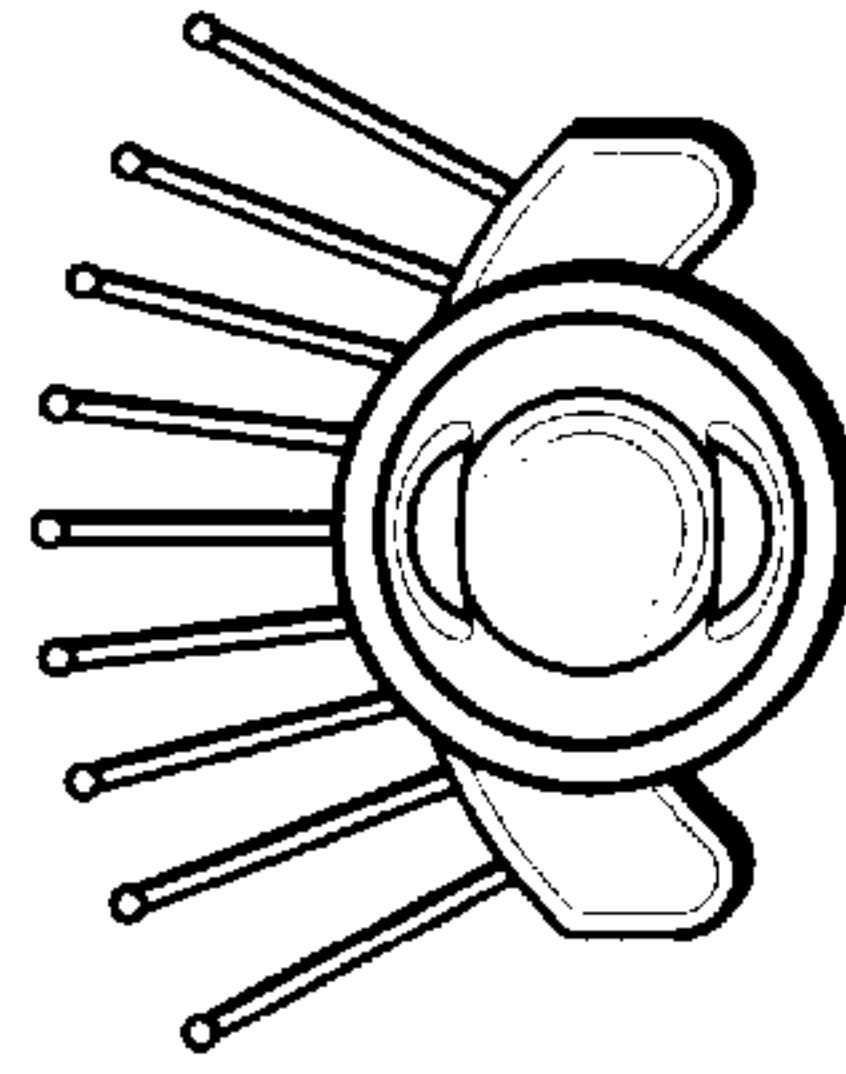


FIG. 5