



US00D513128S

(12) **United States Design Patent**
Hay

(10) **Patent No.:** **US D513,128 S**
(45) **Date of Patent:** **** Dec. 27, 2005**

(54) **BRUSH HEAD**

(75) **Inventor:** **Christopher James Mccaughan Hay,**
Hong Kong (CN)

(73) **Assignee:** **Hayco Manufacturing Limited,** Hong
Kong (CN)

(**) **Term:** **14 Years**

(21) **Appl. No.:** **29/209,167**

(22) **Filed:** **Jul. 13, 2004**

(51) **LOC (6) Cl.** **04-01**

(52) **U.S. Cl.** **D4/132; D4/199**

(58) **Field of Search** D4/118, 132, 138,
D4/199; D32/50; 15/111, 117, 146, 159.1,
160, 171, 176.1, 176.2

(56) **References Cited**

U.S. PATENT DOCUMENTS

684,549 A	*	10/1901	McDermott	15/111
D206,571 S	*	1/1967	Herman et al.	D32/50
D211,197 S	*	5/1968	Malmo	D32/50
D412,248 S	*	7/1999	Berti	D4/199

* cited by examiner

Primary Examiner—Alan P. Douglas

Assistant Examiner—Lavone D. Tabor

(74) *Attorney, Agent, or Firm*—Buchanan Ingersoll PC

(57) **CLAIM**

The ornamental design for a “brush head,” as shown and described.

DESCRIPTION

FIG. 1 is a perspective view showing a first embodiment of a “brush head” incorporating the design;

FIG. 2 is a top view thereof;

FIG. 3 is a bottom view thereof;

FIG. 4 is a side view thereof;

FIG. 5 is another side view thereof;

FIG. 6 is a front view thereof;

FIG. 7 is a rear view thereof;

FIG. 8 is a perspective view showing a second embodiment of a “brush head” incorporating the design;

FIG. 9 is a top view of the brush head shown in FIG. 8;

FIG. 10 is a bottom view of the brush head shown in FIG. 8;

FIG. 11 is a side view of the brush head shown in FIG. 8;

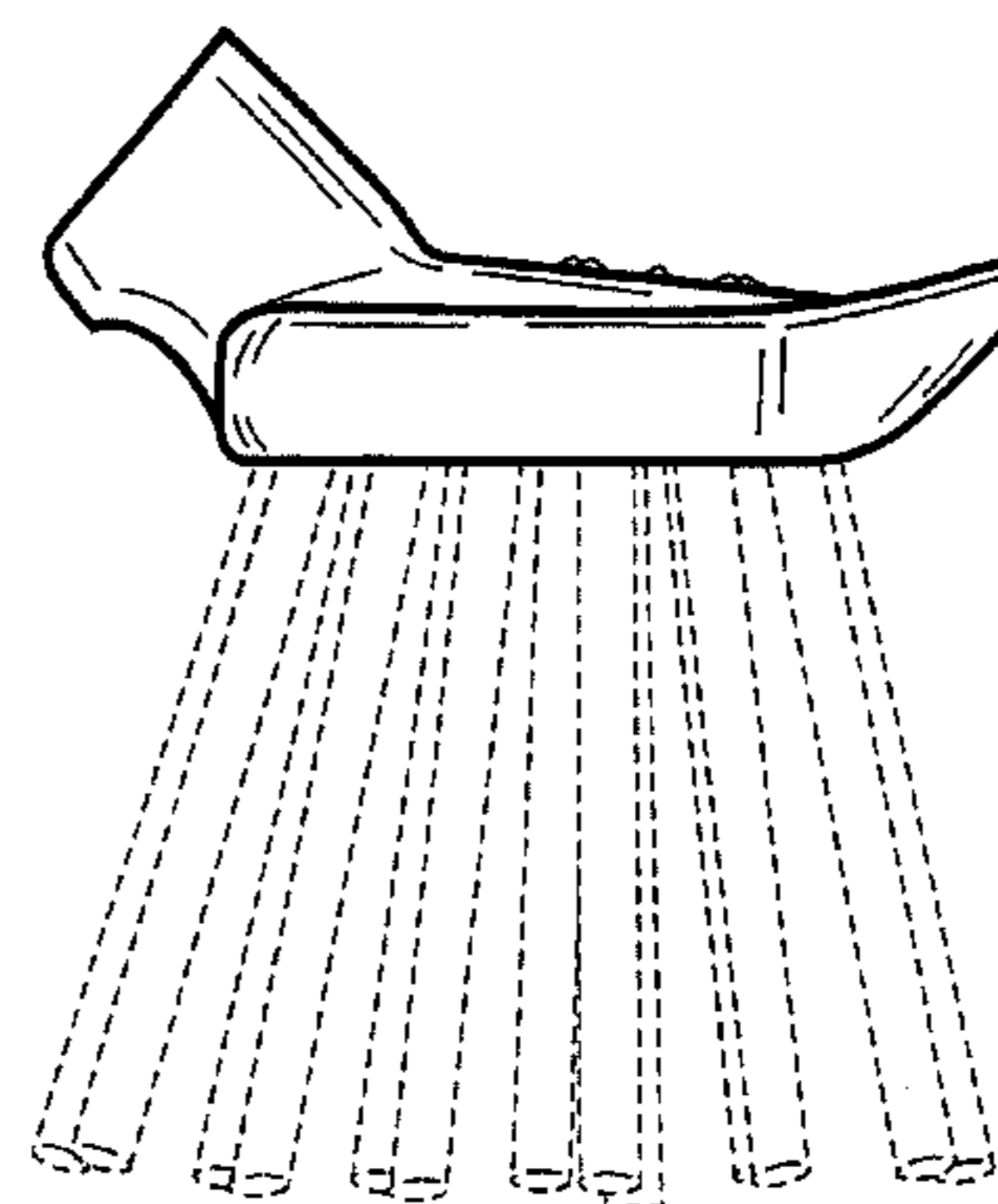
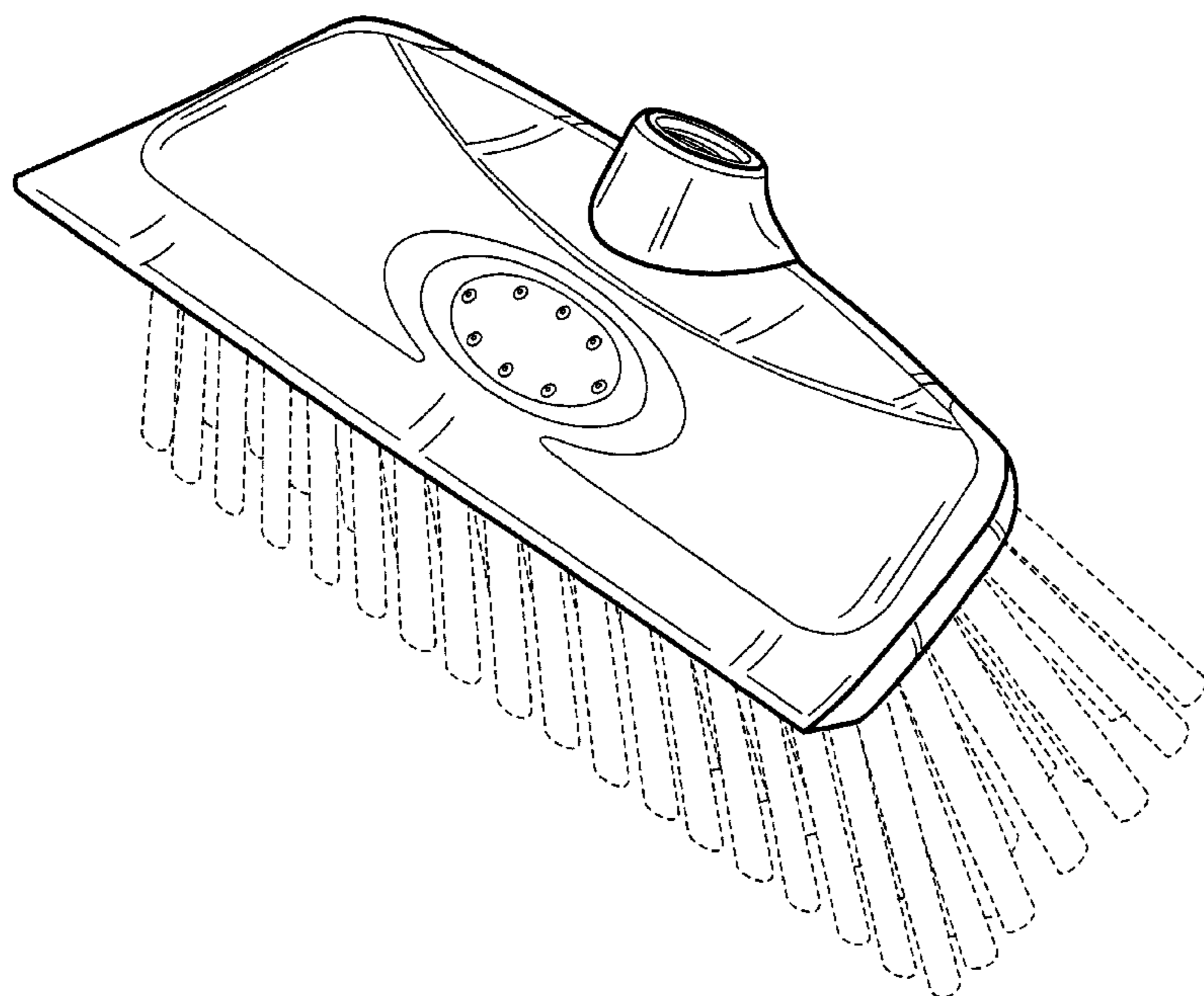
FIG. 12 is another side view of the brush head shown in FIG. 8;

FIG. 13 is a front view of the brush head shown in FIG. 8; and,

FIG. 14 is a rear view of the brush head shown in FIG. 8.

The part of the brush head shown in phantom lines illustrates depicts an environment of the design but forms no part of the design. The dotted or darkened area on the brush head in FIGS. 8 to 14 illustrates a different surface pattern or ornament in that area.

1 Claim, 14 Drawing Sheets



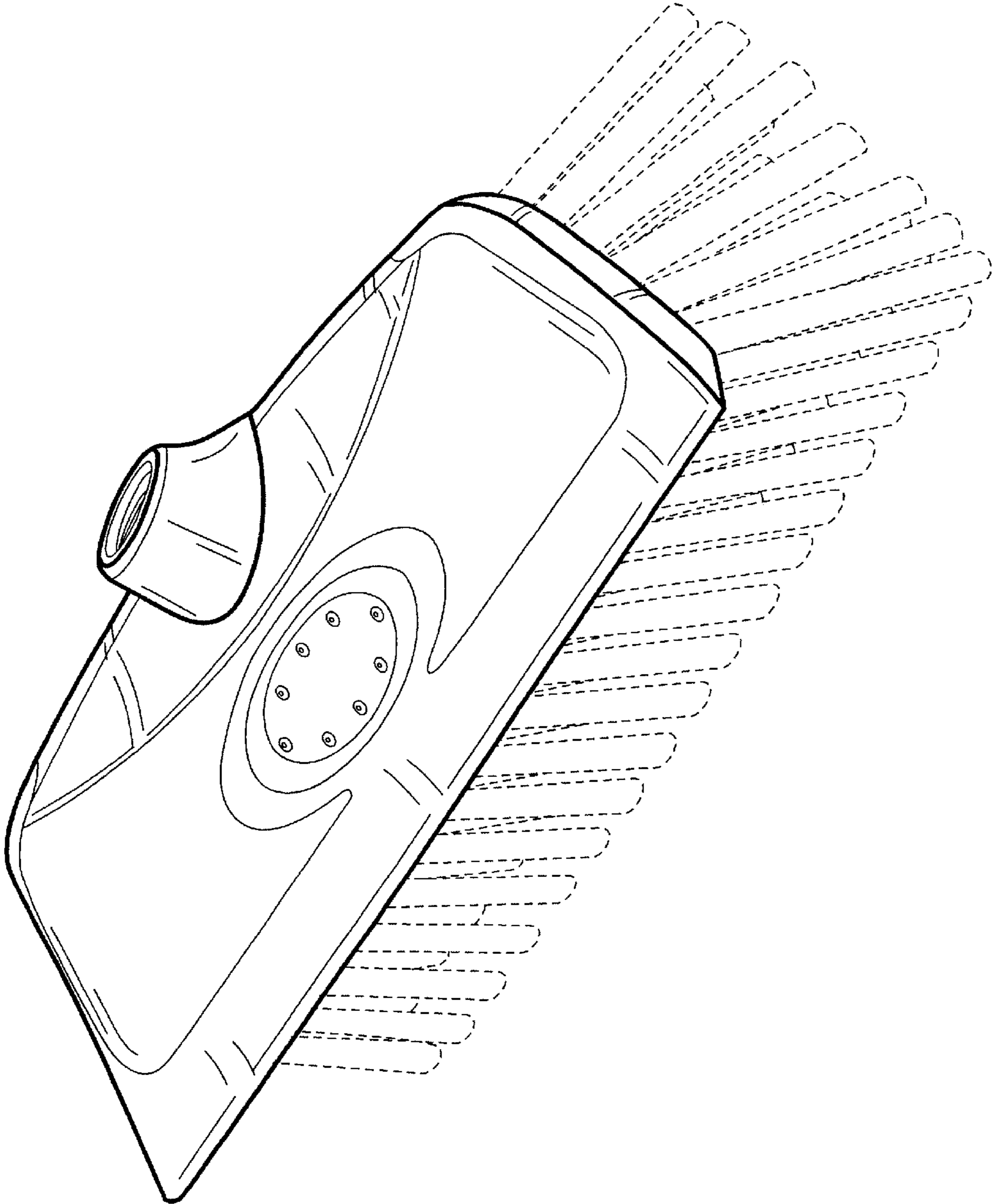


FIG. 1

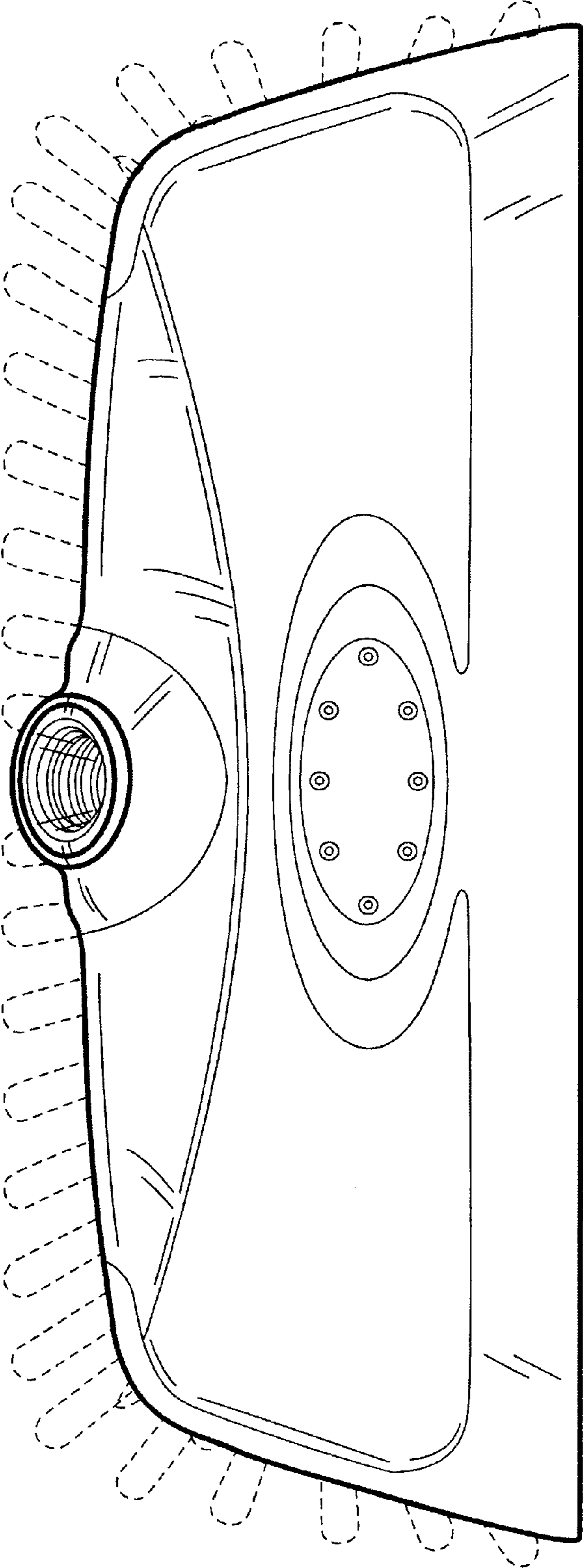


FIG. 2

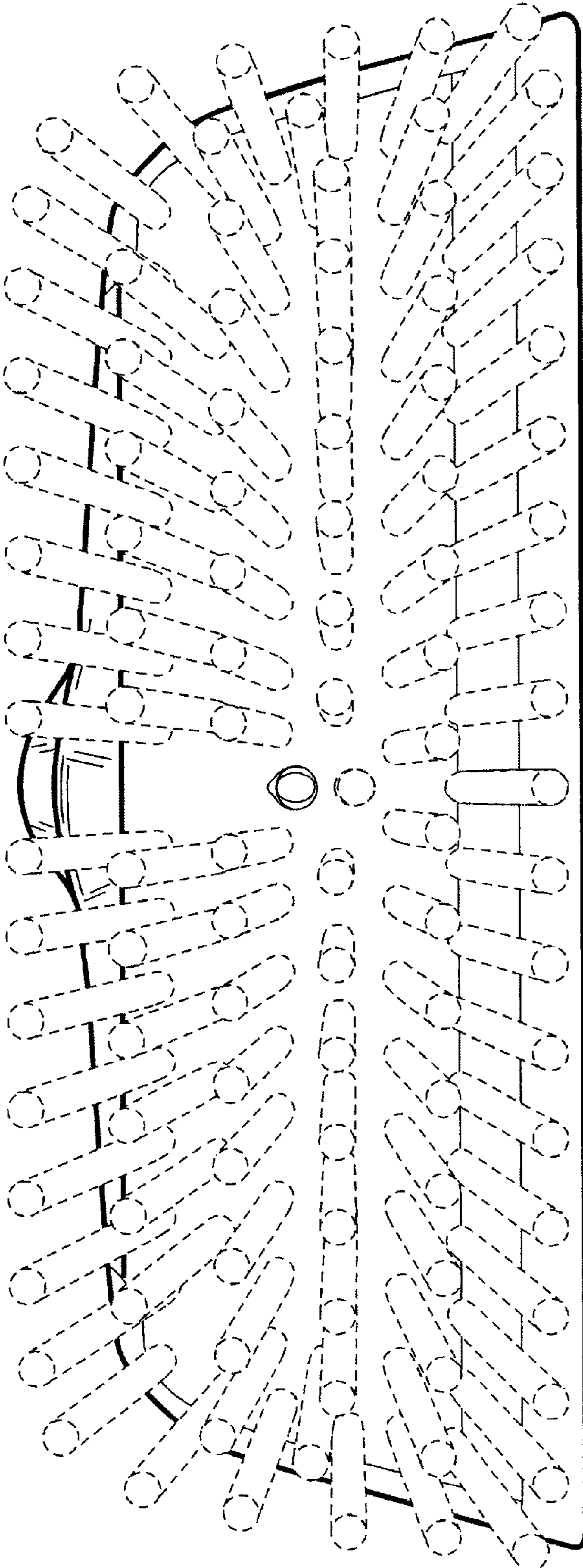


FIG. 3

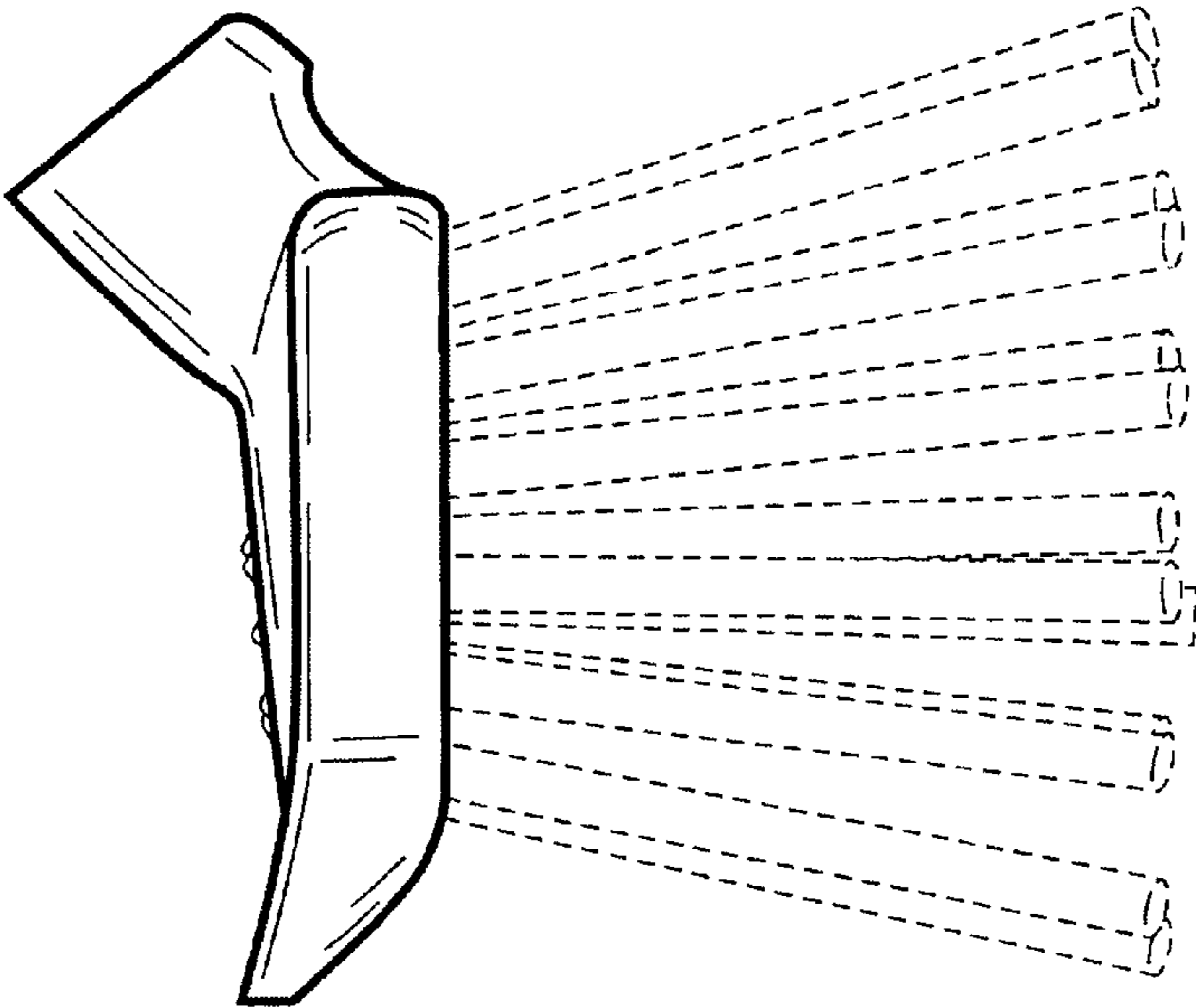


FIG. 4

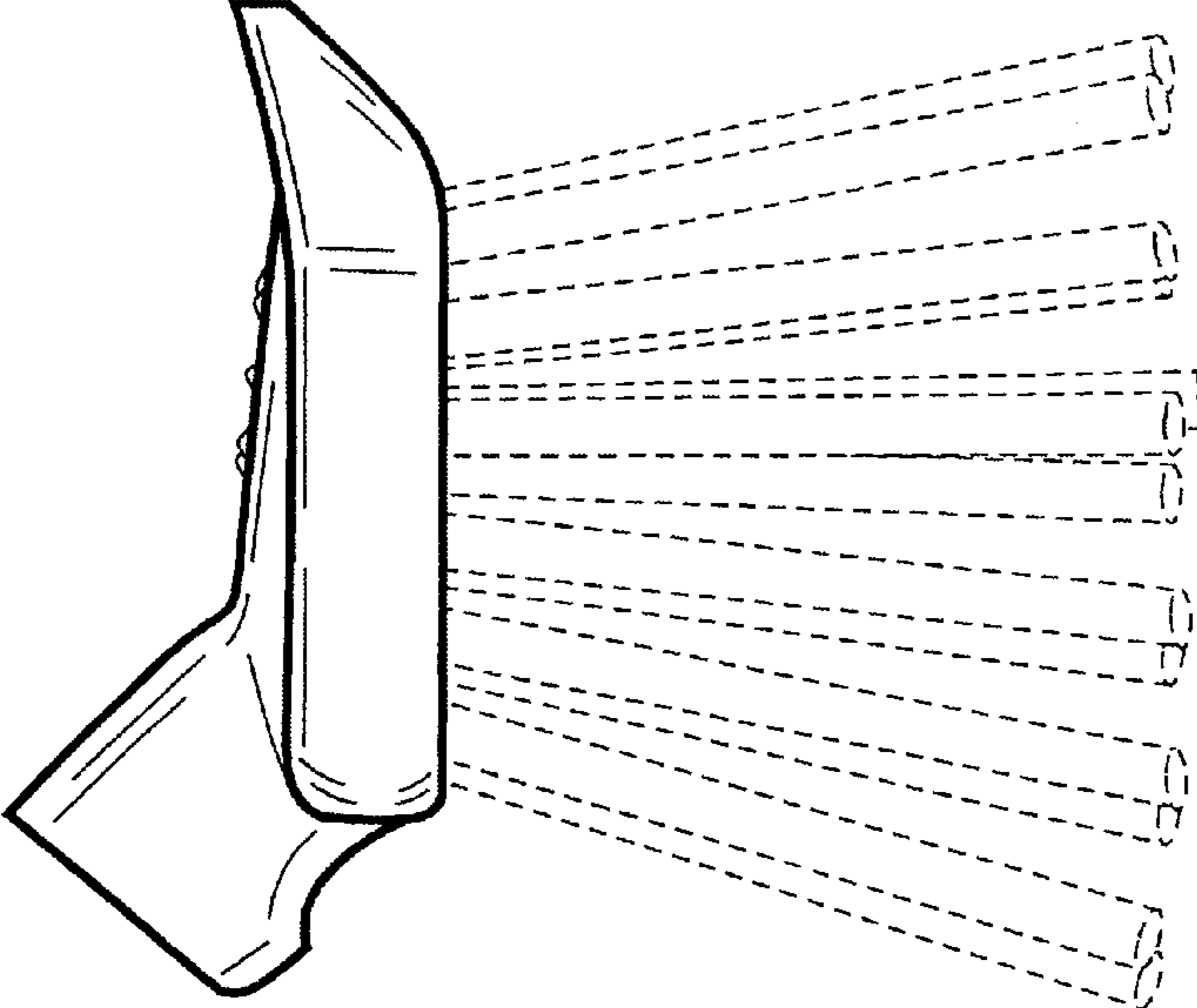


FIG. 5

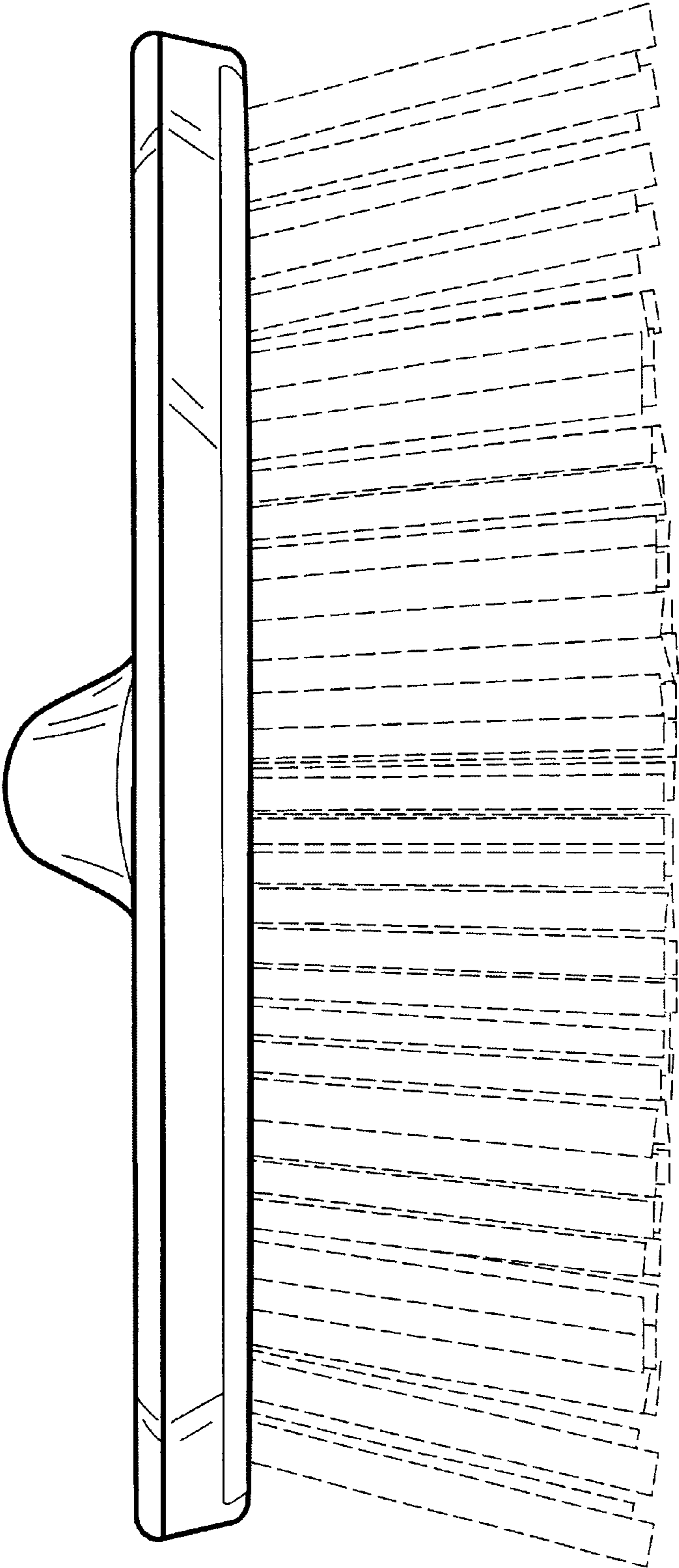


FIG. 6

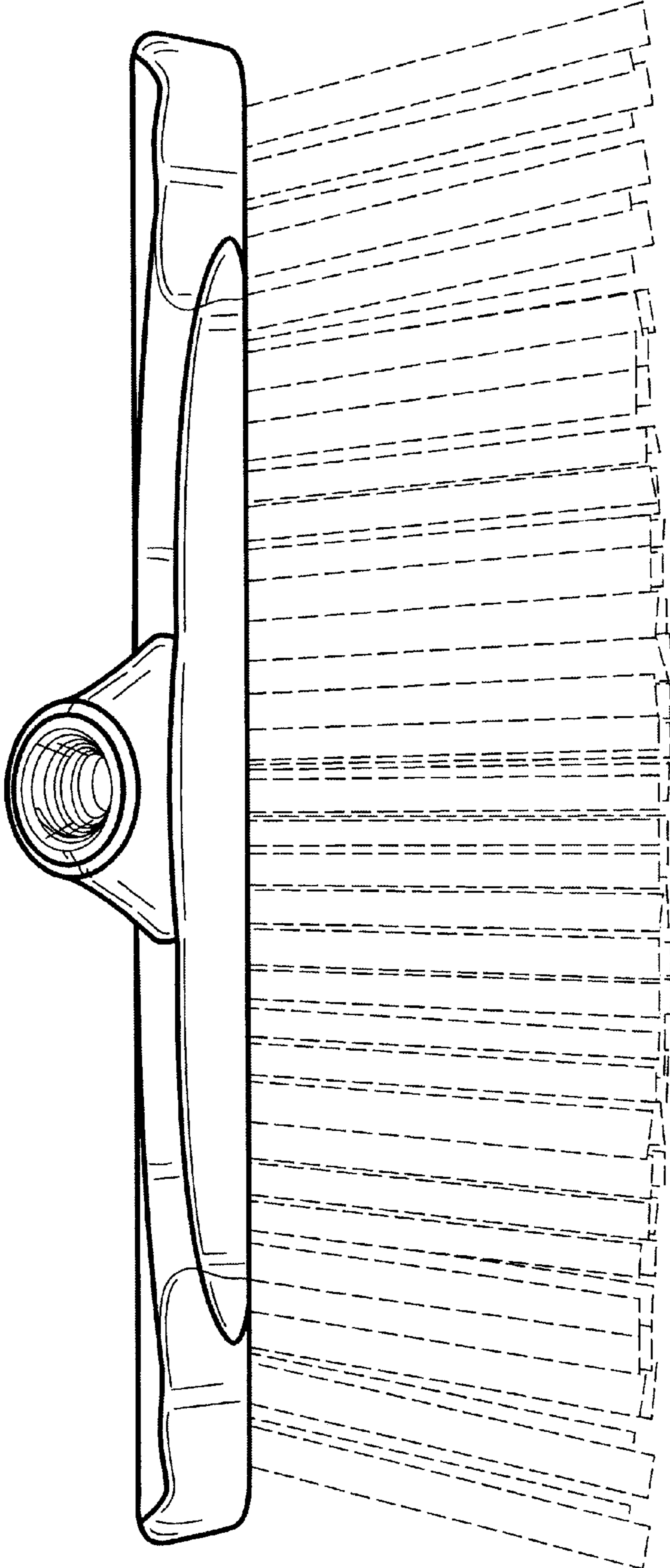


FIG. 7

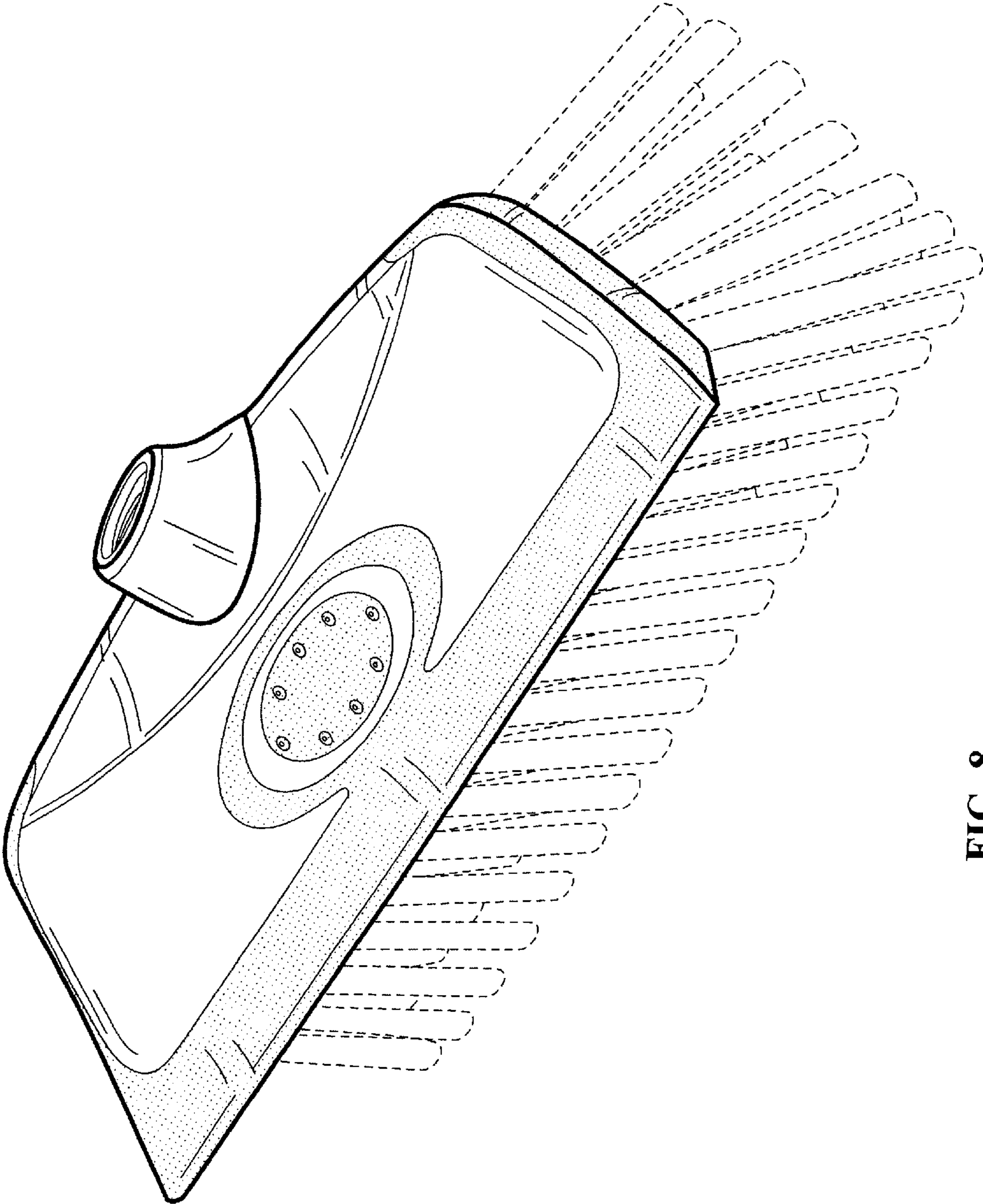


FIG. 8

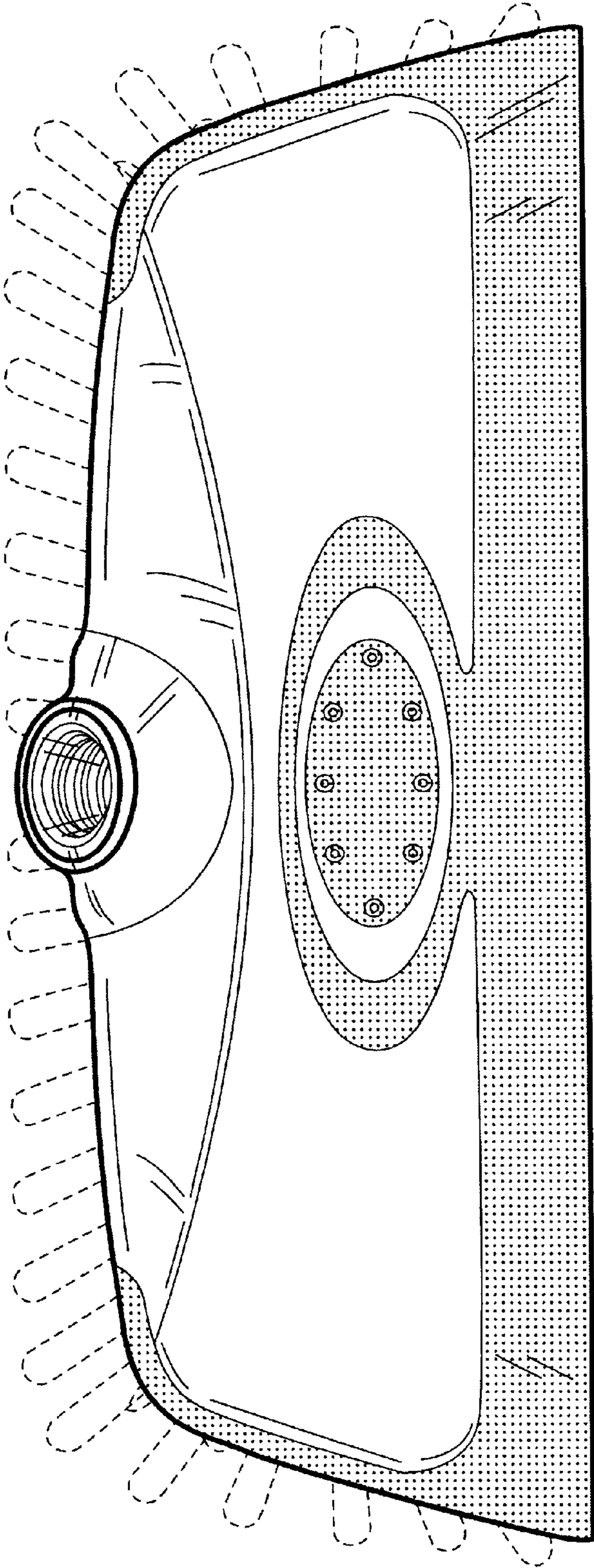


FIG. 9

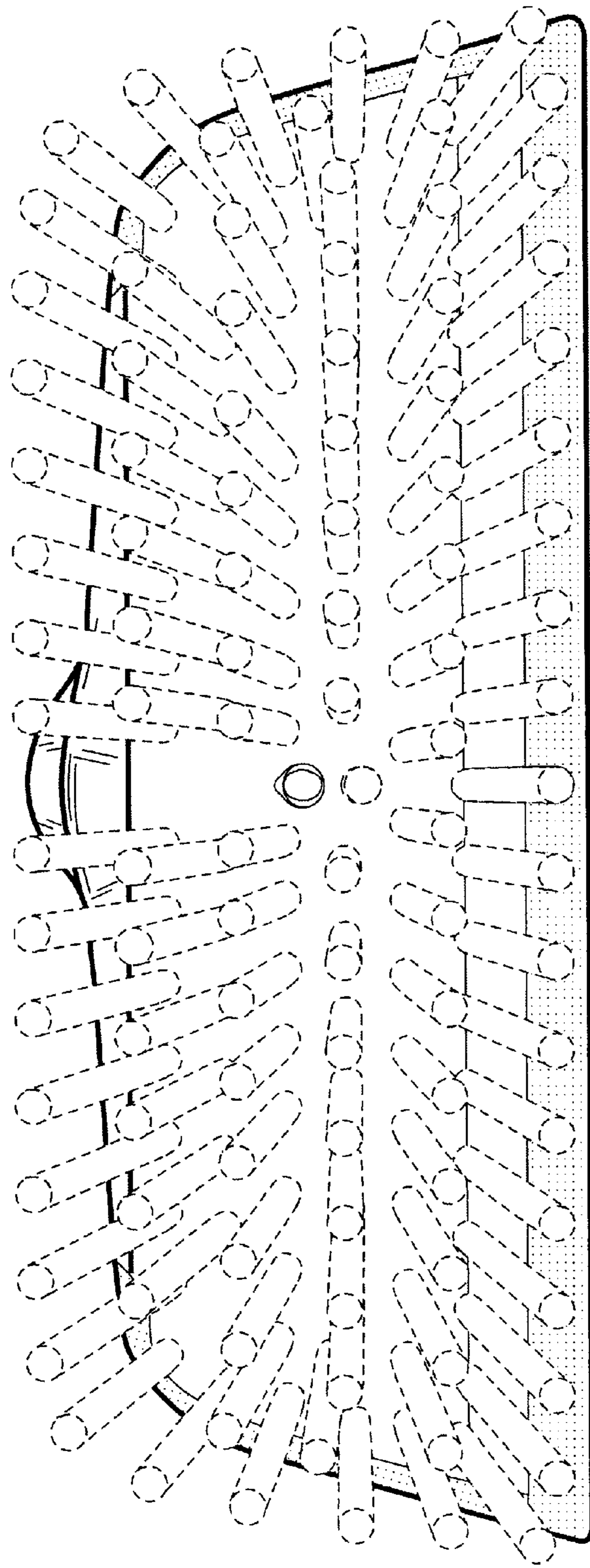


FIG. 10

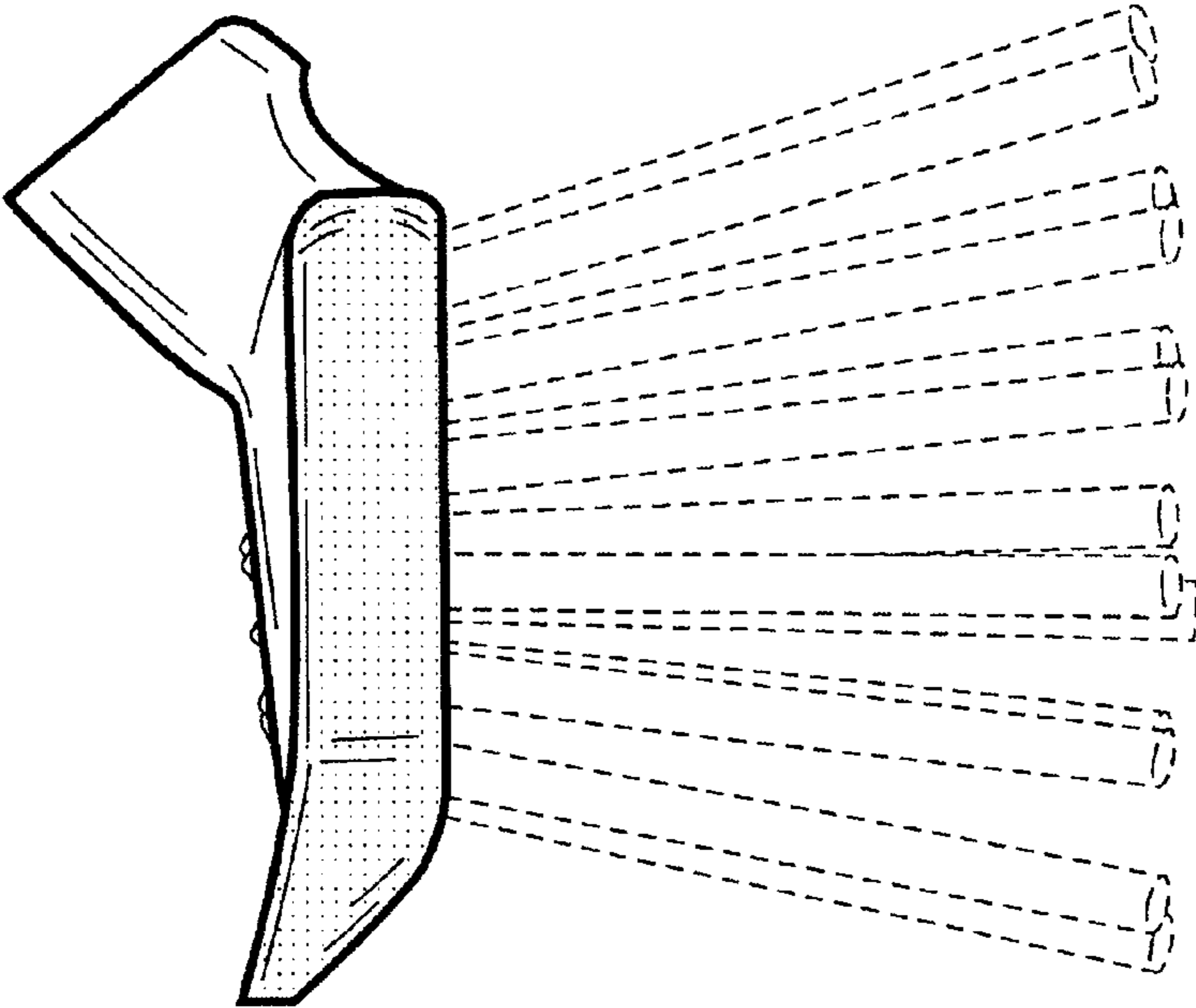


FIG. 11

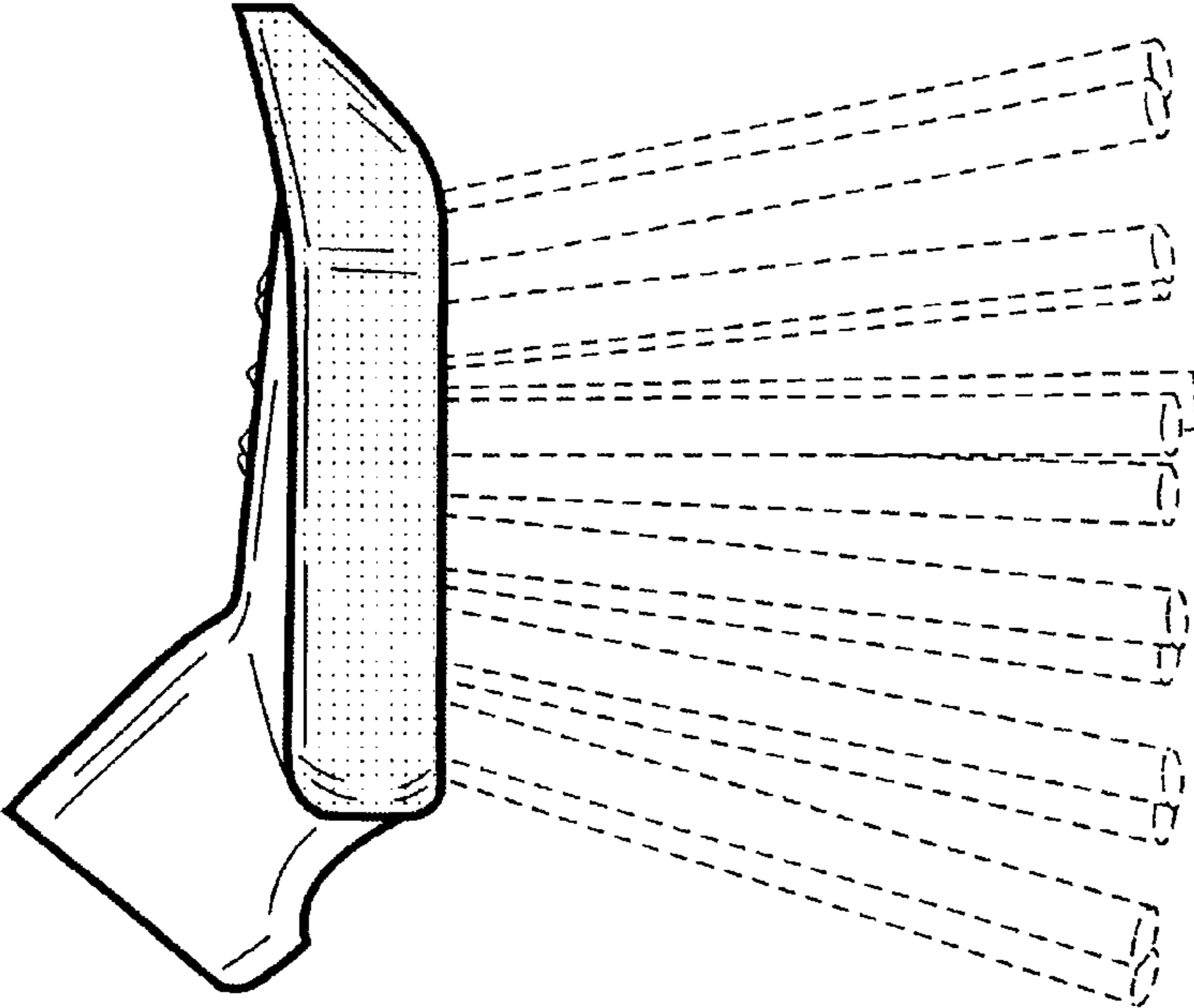


FIG. 12

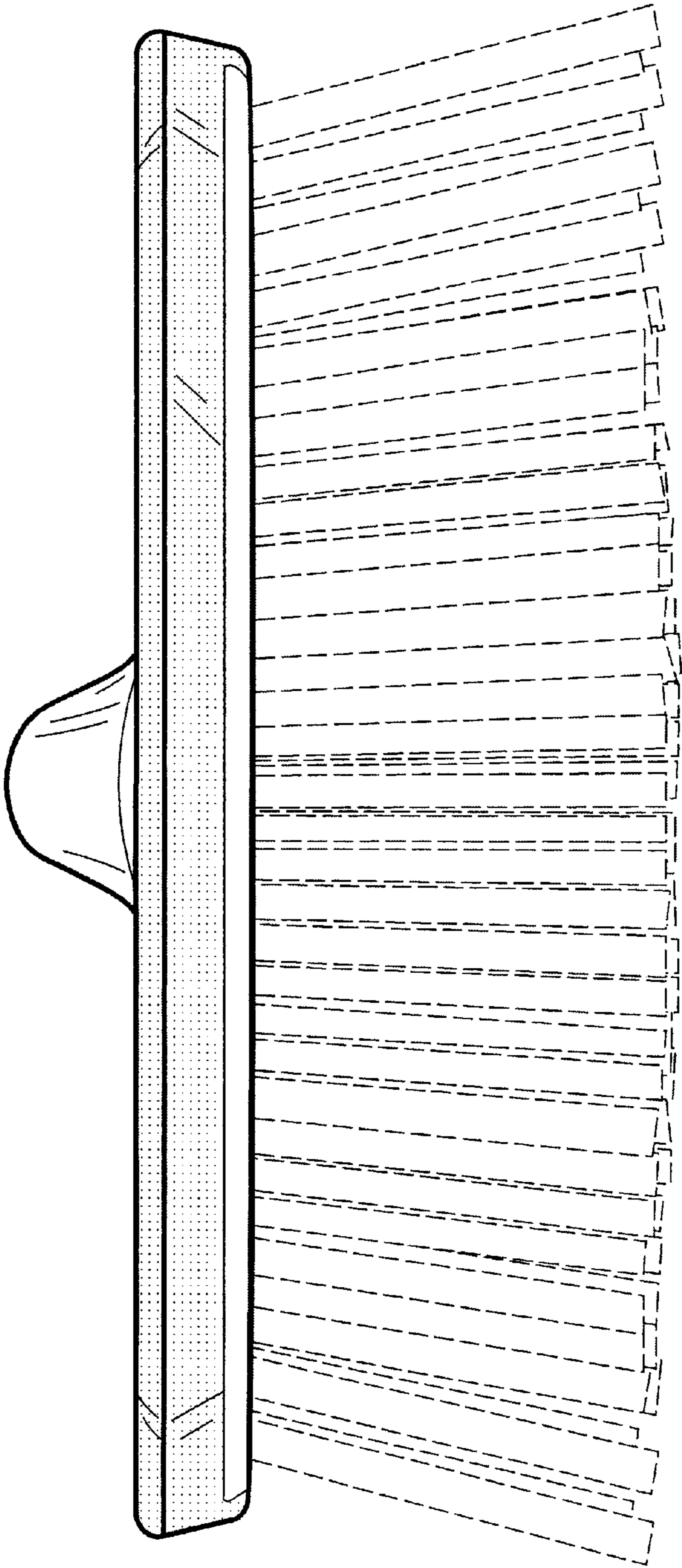


FIG. 13

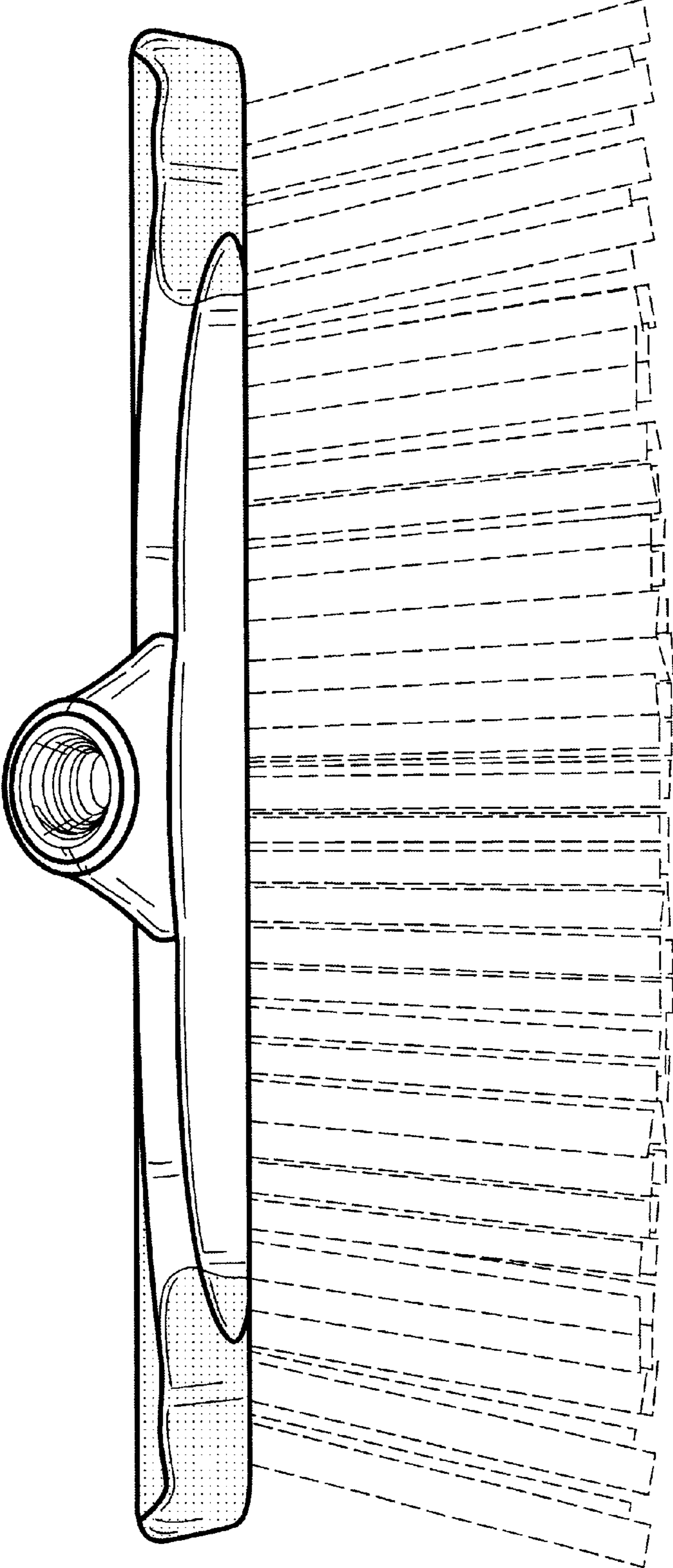


FIG. 14