

US00D513122S

(12) **United States Design Patent**  
**Greene**

(10) **Patent No.: US D513,122 S**

(45) **Date of Patent: \*\* Dec. 27, 2005**

(54) **TOOL BOX**

(75) Inventor: **Michael Greene, Reno, NV (US)**

(73) Assignee: **Thinking Outside, L.L.C., Detroit, MI (US)**

(\*\*) Term: **14 Years**

(21) Appl. No.: **29/204,046**

(22) Filed: **Apr. 23, 2004**

(51) **LOC (6) Cl. .... 03-01**

(52) **U.S. Cl. .... D3/273; D3/294; D3/905**

(58) **Field of Search .... D3/273, 294, 905, D3/302; D7/605; D9/424, 425; 220/810, 825, 833, 834, 835; 206/349, 372, 373, 501, 508, 515**

(56) **References Cited**

**U.S. PATENT DOCUMENTS**

D320,142 S	*	9/1991	Kin	.....	D7/709
5,065,885 A	*	11/1991	Scaroni	.....	220/326
D330,161 S	*	10/1992	Schuh	.....	D9/423
D351,319 S	*	10/1994	Long et al.	.....	D7/605
D363,669 S	*	10/1995	Pennoyer, Jr.	.....	D9/423
D374,774 S	*	10/1996	Cassel	.....	D3/294
D378,552 S	*	3/1997	Lippisch	.....	D3/273
D381,512 S	*	7/1997	Green	.....	D3/294
D395,952 S	*	7/1998	Buczynski et al.	.....	D9/734

D407,609 S	*	4/1999	Rausch	.....	D7/605
D411,040 S	*	6/1999	Gilbertson et al.	.....	D3/294
D416,447 S	*	11/1999	Levy et al.	.....	D7/605
D418,749 S	*	1/2000	Chang	.....	D9/424
D421,901 S	*	3/2000	Hill	.....	D9/423
D422,408 S	*	4/2000	Schwartz et al.	.....	D3/273
D454,689 S	*	3/2002	Gonda et al.	.....	D3/294
D464,485 S	*	10/2002	Sward et al.	.....	D3/294

\* cited by examiner

*Primary Examiner*—Philip S. Hyder

(74) *Attorney, Agent, or Firm*—Townsend and Townsend and Crew LLP

(57) **CLAIM**

The ornamental design for a tool box, as shown and described.

**DESCRIPTION**

FIG. 1 is a perspective view of a tool box showing my new design;

FIG. 2 is a front elevational view thereof;

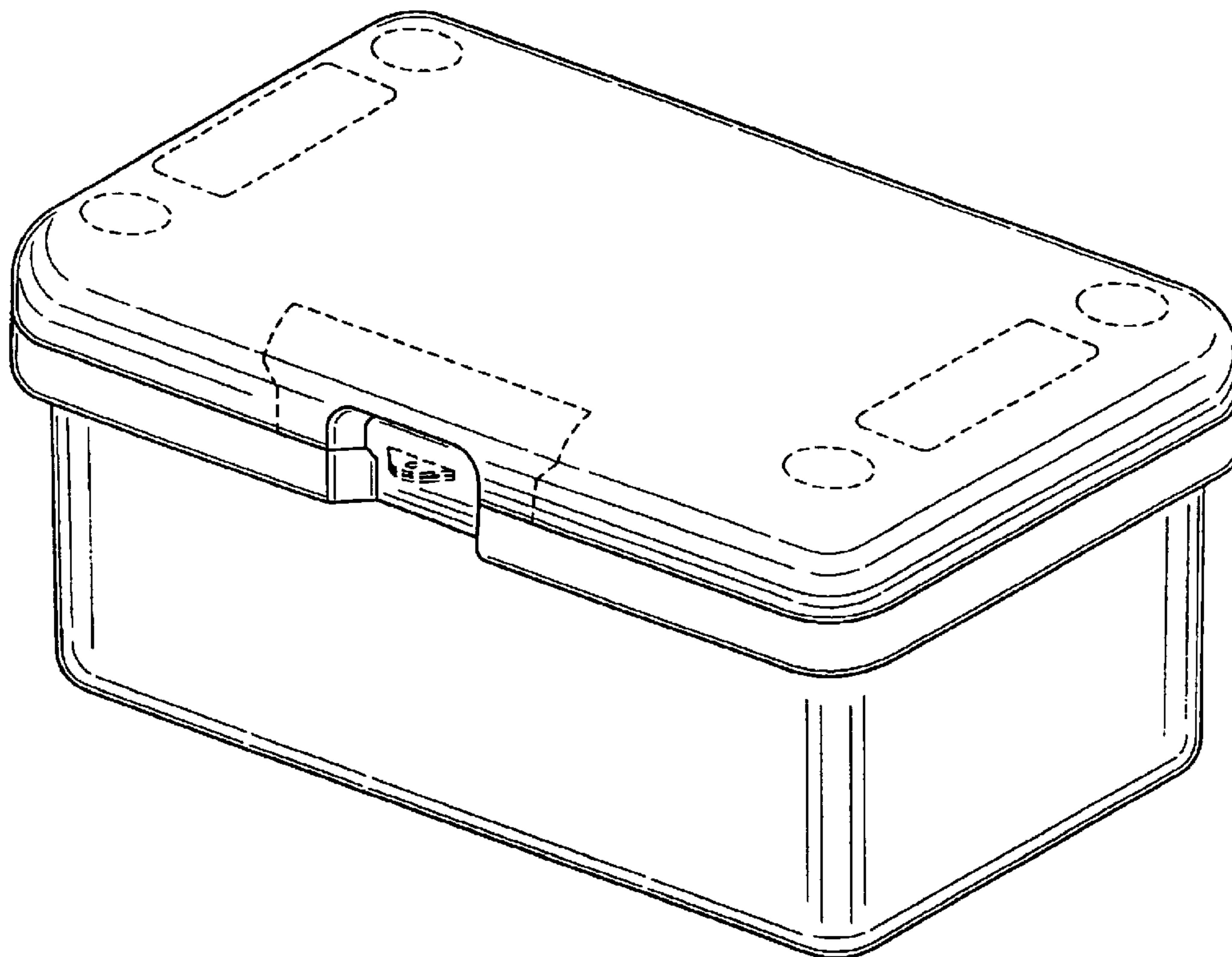
FIG. 3 is a top plan view thereof;

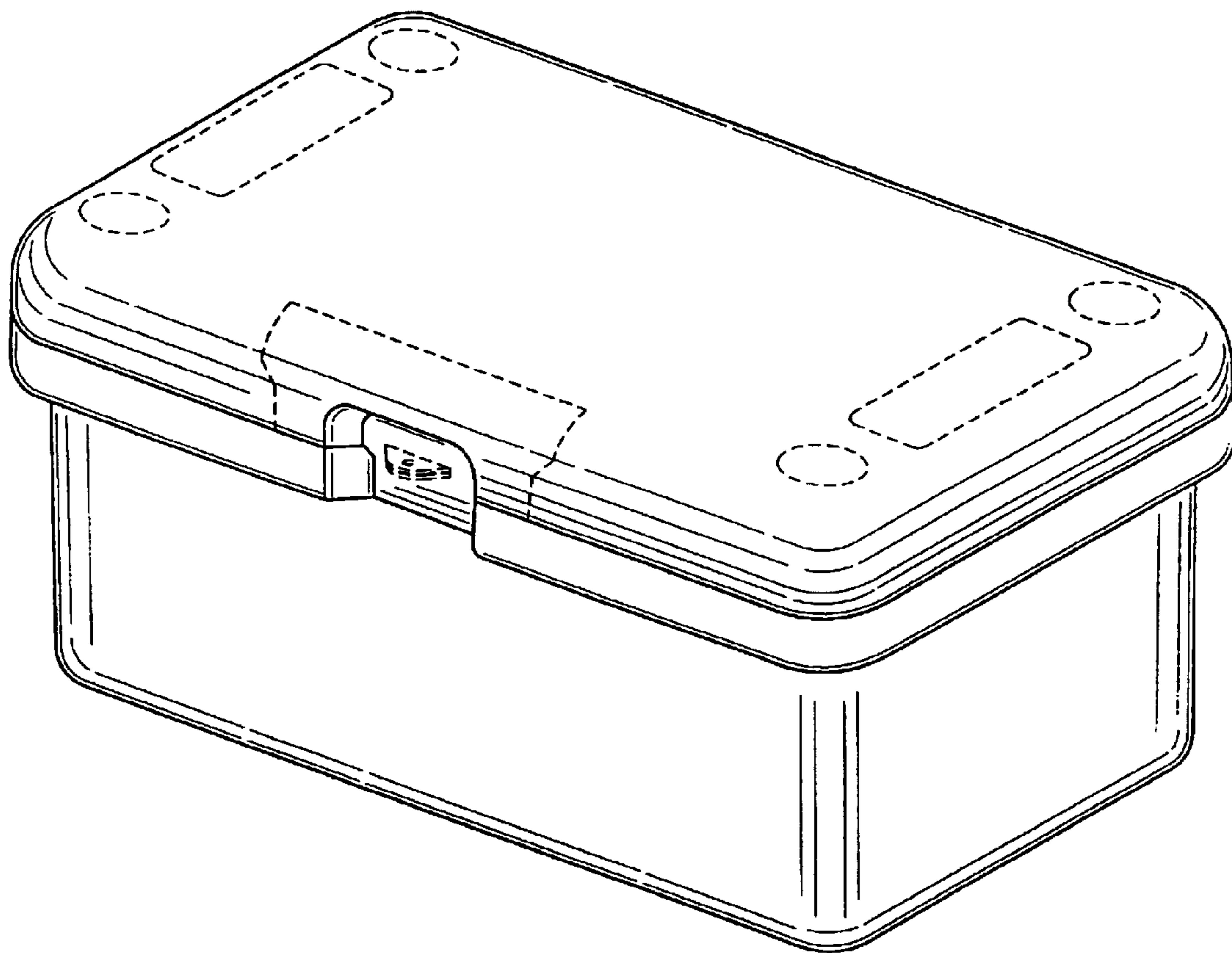
FIG. 4 is a left side elevational view, the right side elevational view being a mirror image thereof; and,

FIG. 5 is a rear elevational view thereof.

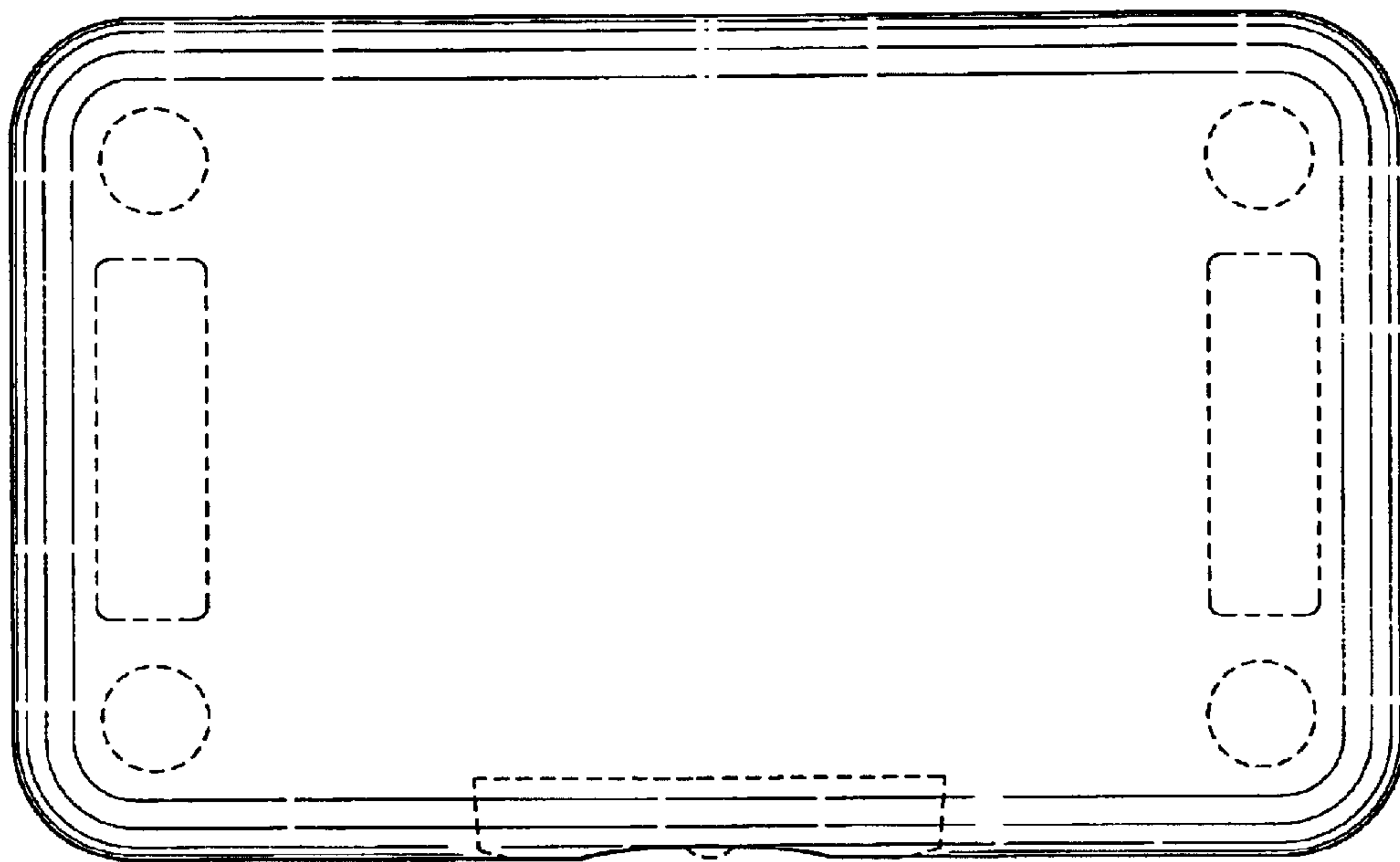
The broken line portions of the disclosure are for illustrative purposes only and form no part of the claimed design.

**1 Claim, 3 Drawing Sheets**

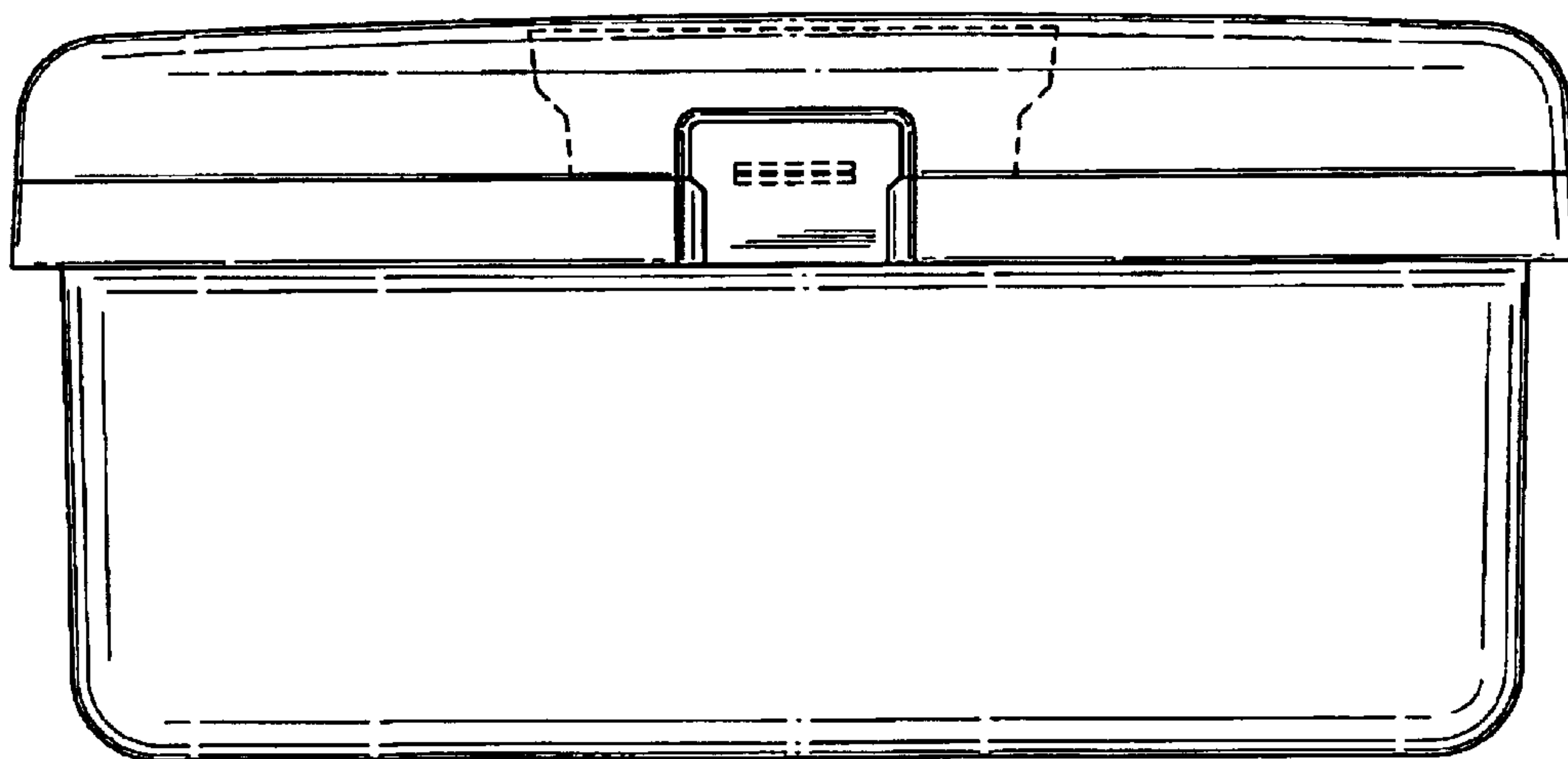




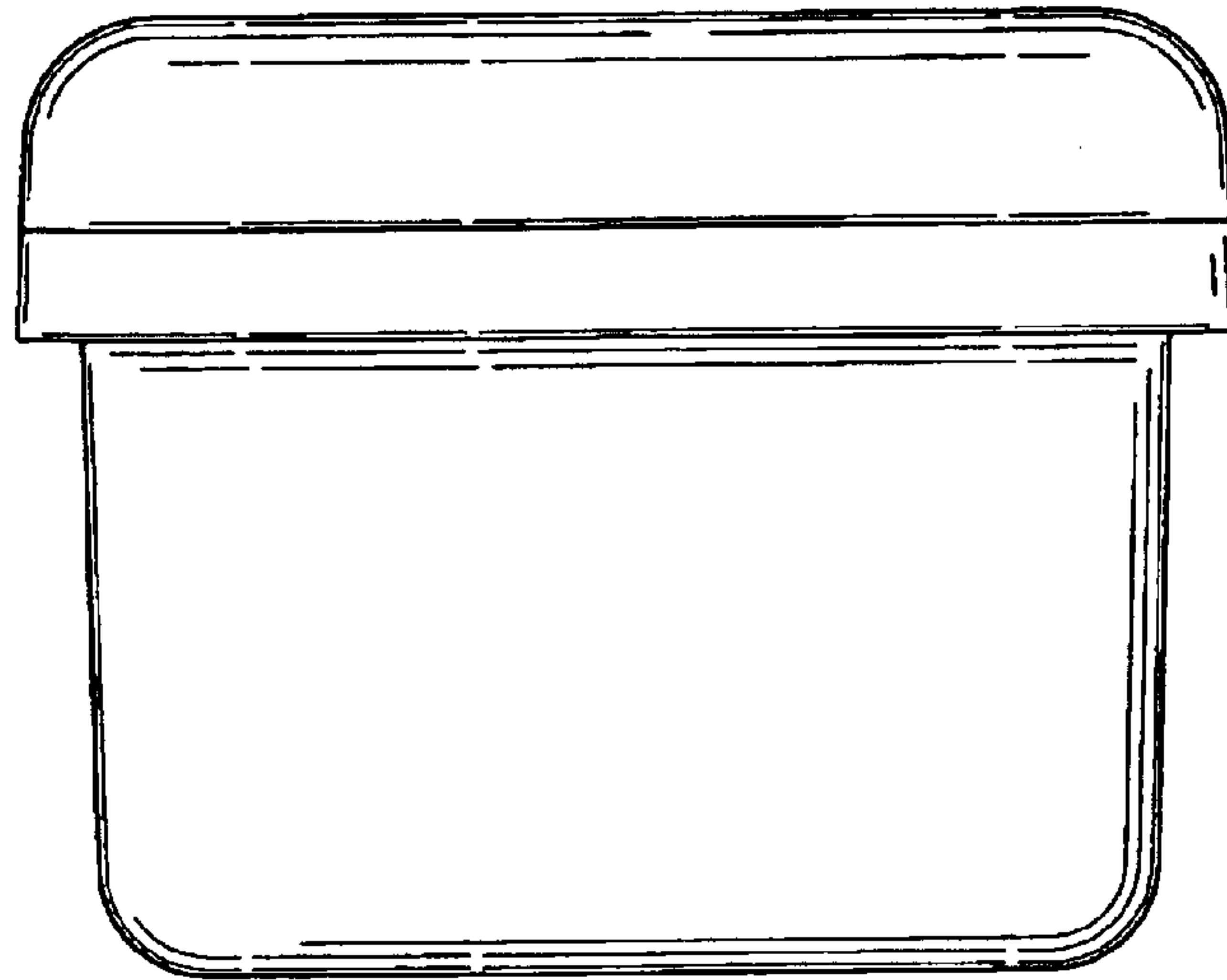
*FIG. 1*



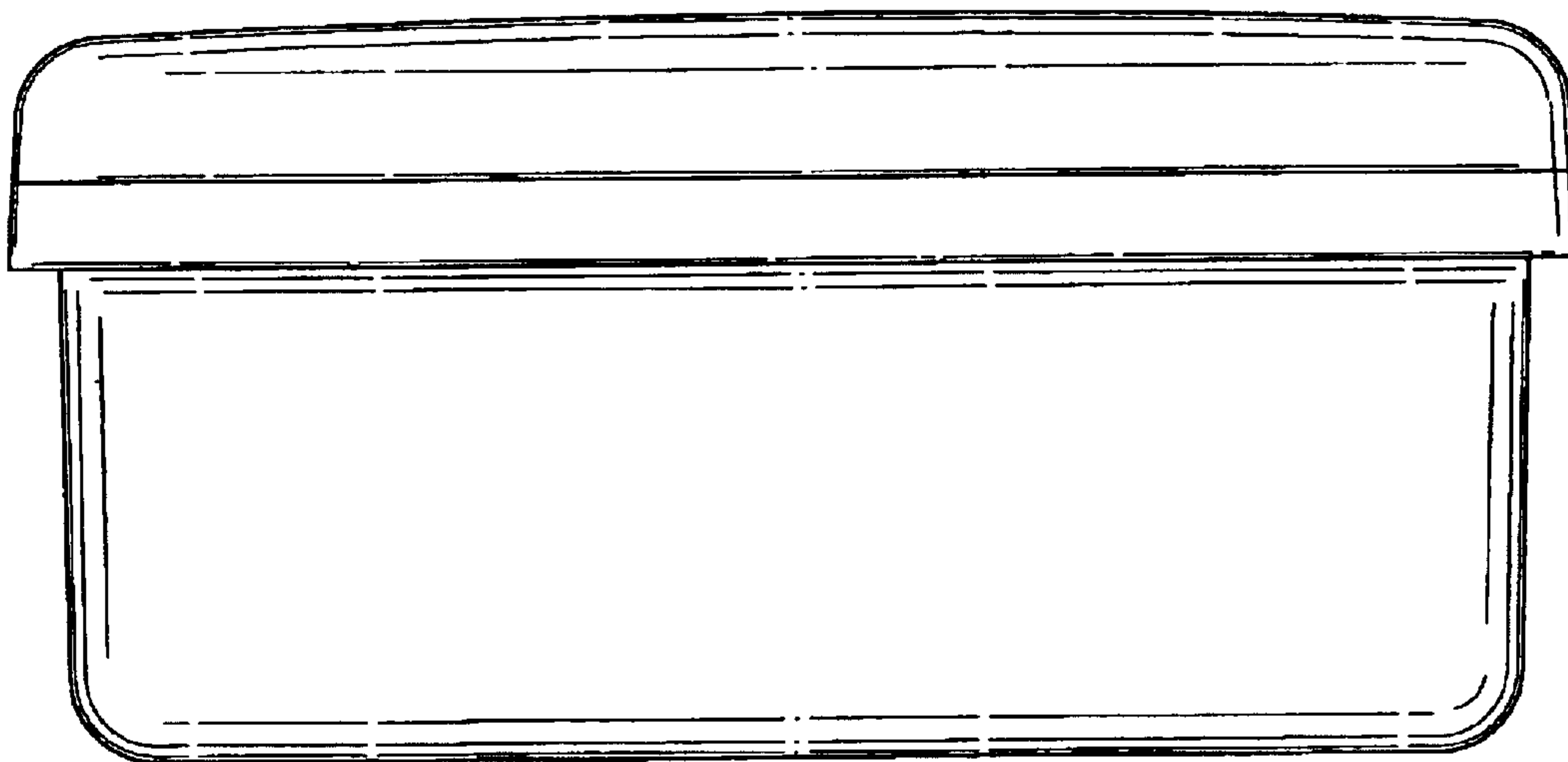
*FIG. 3*



*FIG. 2*



*FIG. 5*



*FIG. 4*