



US00D513121S

(12) **United States Design Patent**  
**Rosine et al.**

(10) **Patent No.:** **US D513,121 S**

(45) **Date of Patent:** **\*\* Dec. 27, 2005**

(54) **UNDER-BED TOTE**

(75) Inventors: **Lyle A. Rosine**, Batavia, IL (US);  
**Torrence Anderson**, Overland Park, KS  
(US)

(73) Assignee: **Suncast Corporation**, Batavia, IL (US)

(\*\*) Term: **14 Years**

(21) Appl. No.: **29/203,031**

(22) Filed: **Apr. 7, 2004**

(51) **LOC (6) Cl.** ..... **03-01**

(52) **U.S. Cl.** ..... **D3/273; D3/279; D3/302**

(58) **Field of Search** ..... **D3/273, 276, 279,**  
**D3/282, 284, 294, 295; D9/424, 425; D34/20,**  
**19, 25; 220/796; 206/349, 373, 508, 503,**  
**518**

(56) **References Cited**

**U.S. PATENT DOCUMENTS**

3,419,184 A \* 12/1968 Asenbauer ..... 206/508  
4,523,692 A \* 6/1985 Lemkin ..... 220/788  
D291,037 S \* 7/1987 Handler et al. .... D6/432  
D358,765 S \* 5/1995 Dickinson et al. .... D9/425

D373,022 S \* 8/1996 Sagol ..... D3/279  
5,564,805 A \* 10/1996 Dickinson ..... 312/249.8  
D391,762 S \* 3/1998 Ahern, Jr. .... D3/302  
D401,763 S \* 12/1998 Wolff ..... D3/273  
D421,678 S \* 3/2000 Levy ..... D3/279  
D437,682 S \* 2/2001 Steele ..... D3/215

\* cited by examiner

*Primary Examiner*—Philip S. Hyder

(74) *Attorney, Agent, or Firm*—McHale & Slavin, P.A.

(57) **CLAIM**

The ornamental design for an under-bed tote, as shown and described.

**DESCRIPTION**

FIG. 1 is a perspective view of the under-bed tote of the instant invention;

FIG. 2 is a front view thereof;

FIG. 3 is a rear view thereof;

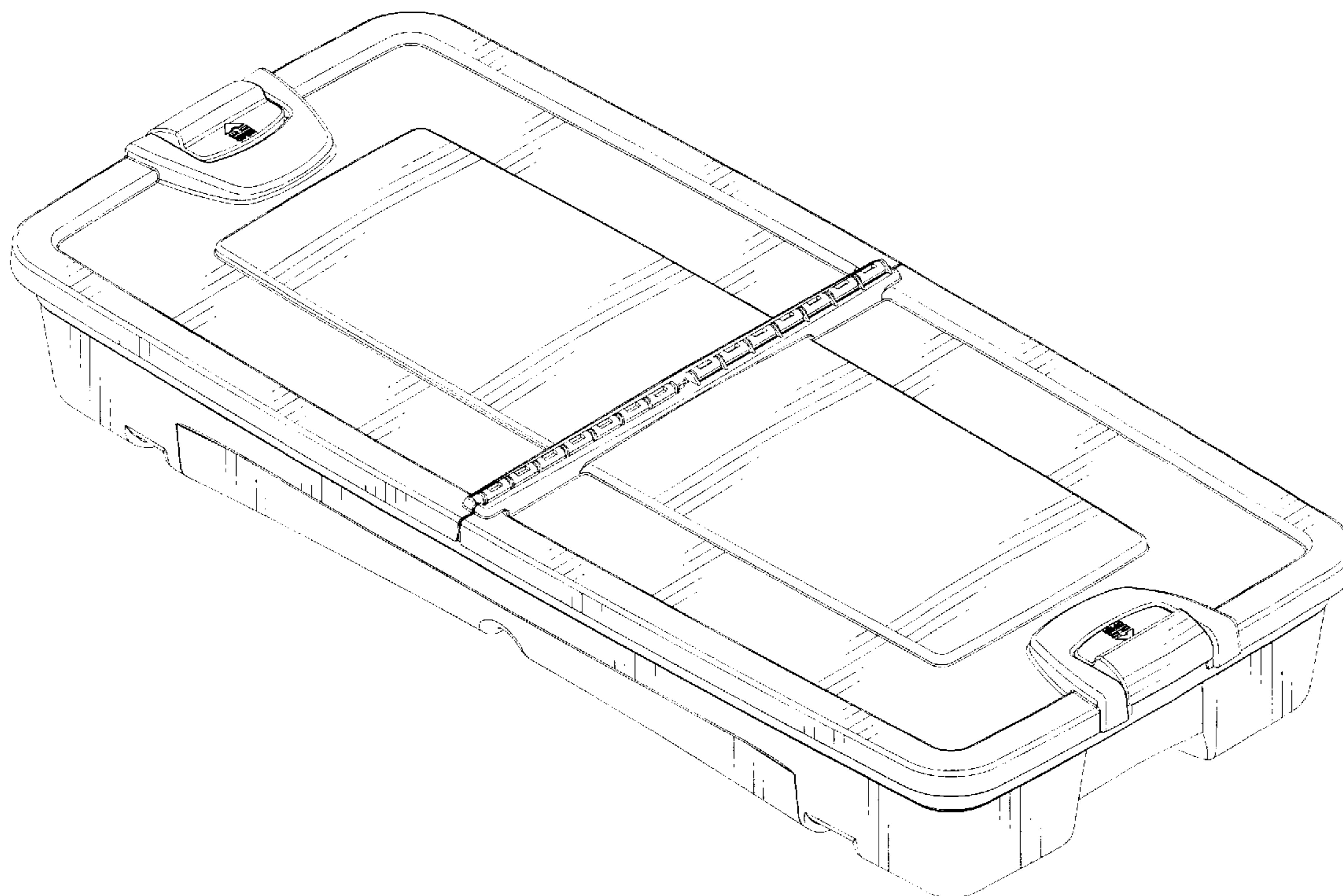
FIG. 4 is a right side view thereof;

FIG. 5 is a left side view thereof;

FIG. 6 is a top plan view thereof; and,

FIG. 7 is a bottom plan view thereof.

**1 Claim, 5 Drawing Sheets**



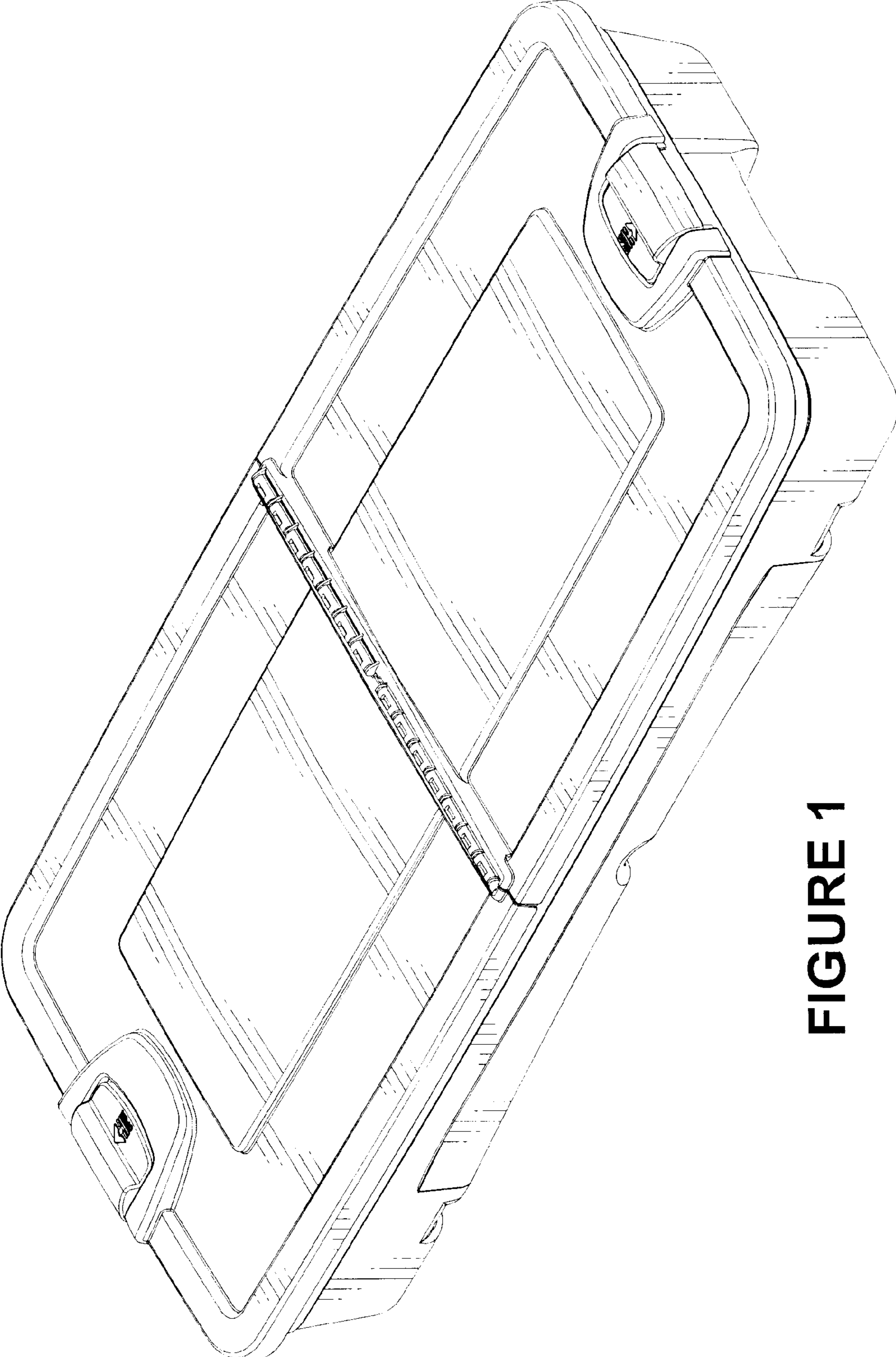


FIGURE 1

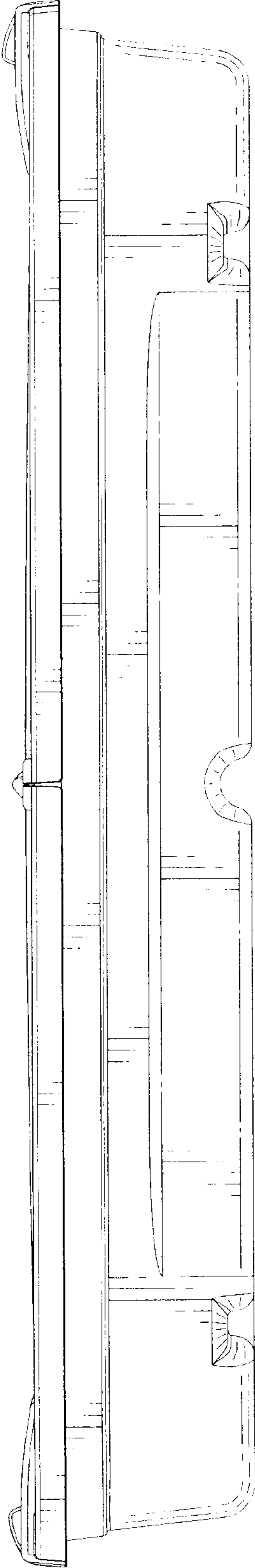


FIGURE 2

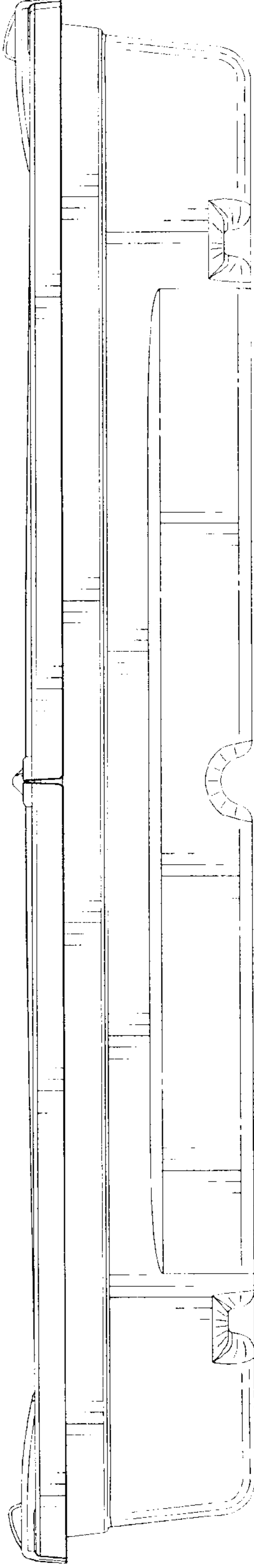
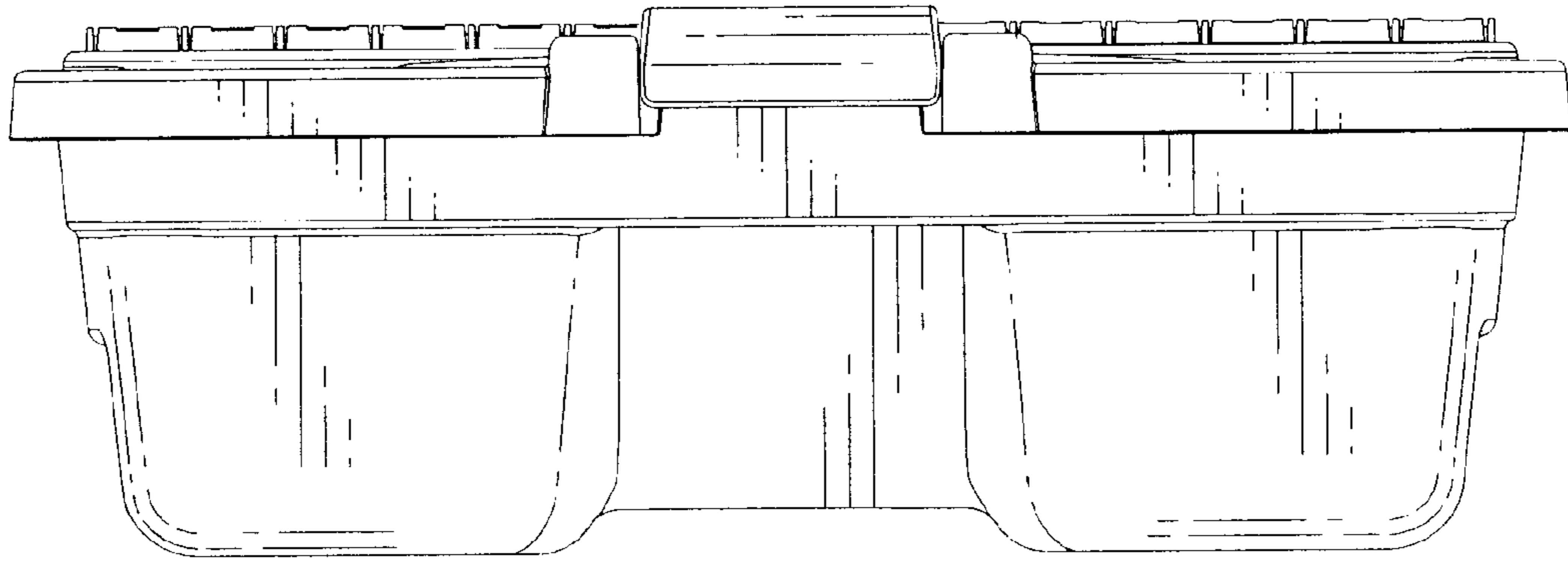
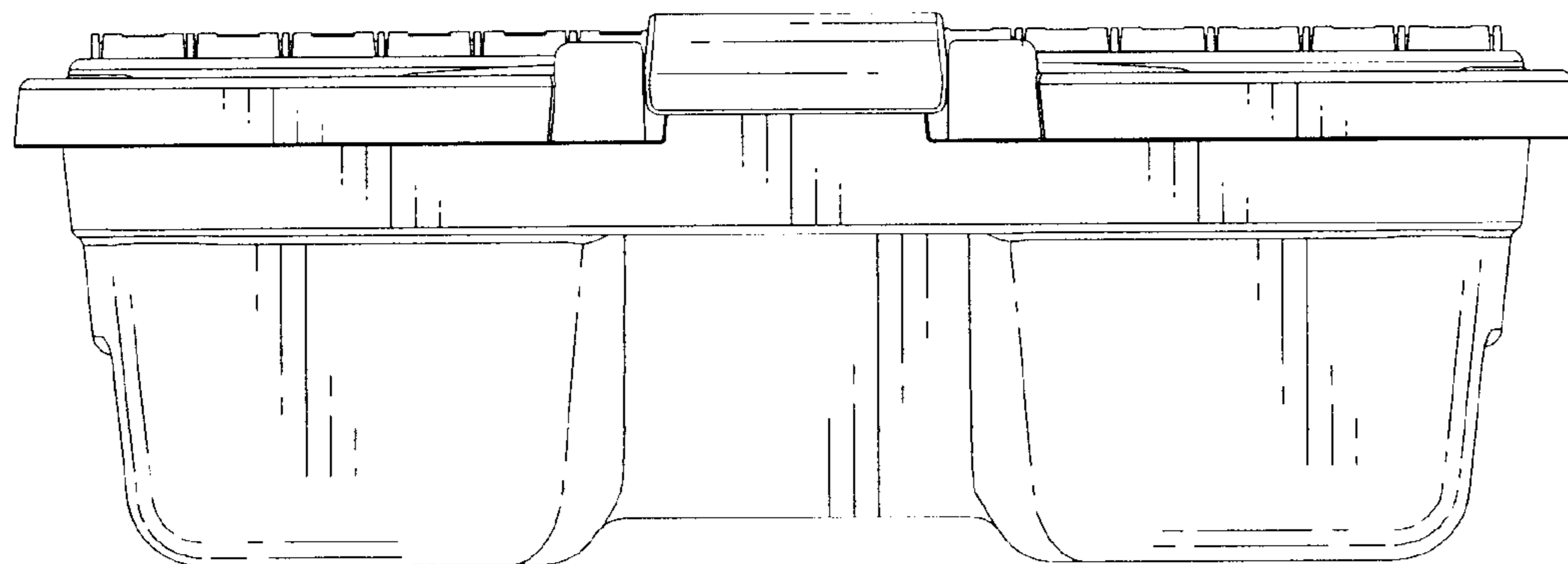


FIGURE 3



**FIGURE 4**



**FIGURE 5**

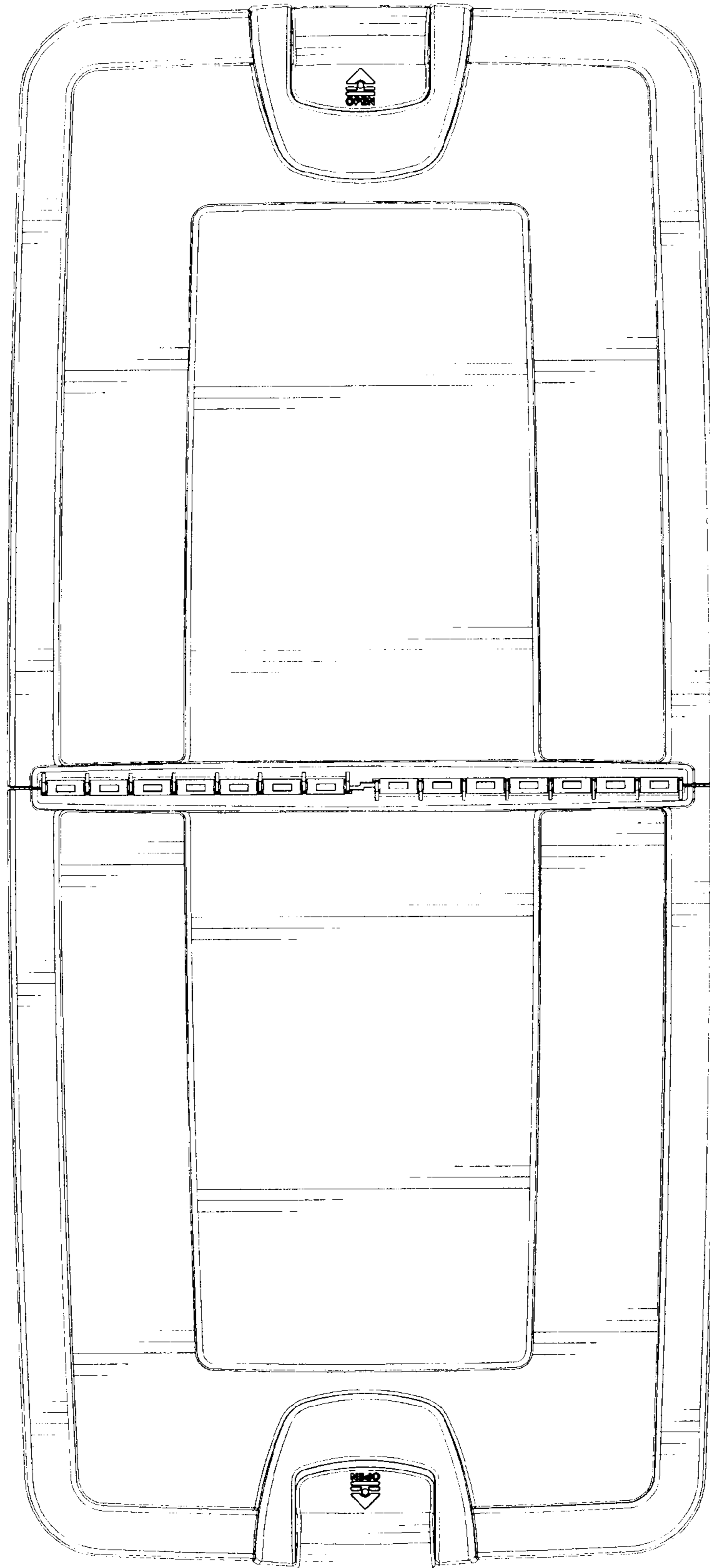


FIGURE 6

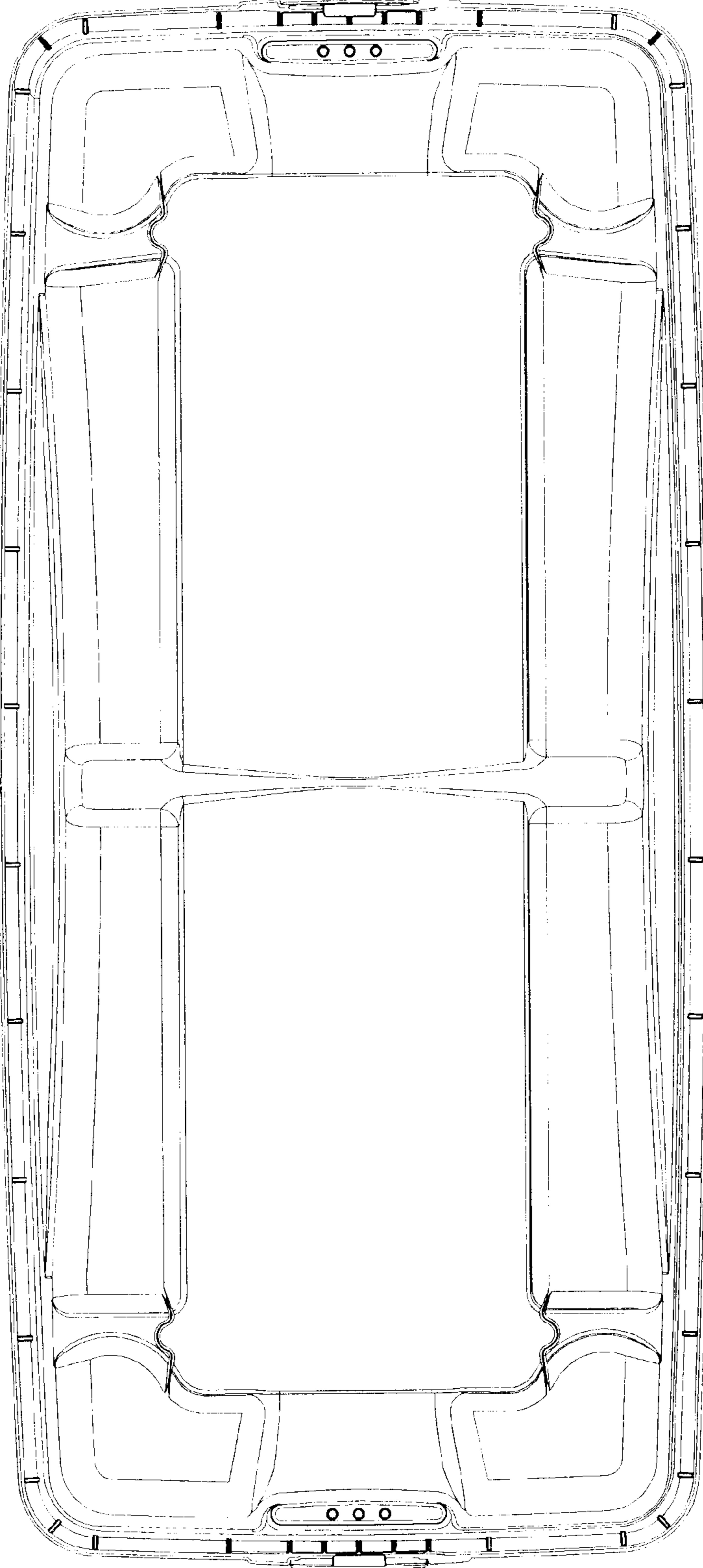


FIGURE 7